

Index

	251	
12.5010.00	DA24-Descaling Pump 24V	1
12.5011.00	DA240-Descaling pump 230V	1
15.0003.10	CP12-06 sp. gun, yellow trigger	2
15.0003.11	CP12-02 sp.gun red trigger	2
15.0003.12	CP12-00 sp. gun, blue trigger	2
15.0004.02	FY5 Y-strainer,plast,black 1" FF Bsp	35
15.0004.12	FY5 Y-strainer,plast,black 3/4 FF Bsp	35
15.0006.01	CP600-02 lan,PVC,600mm+fl.fan nzl.110°	65
15.0006.02	CP600-03 lan,PVC,600mm+fl.fan nzl.110°	65
15.0006.03	CP600-04 lan,PVC,600mm+fl.fan nzl.110°	65
15.0006.04	CP600-045 lan,PVC,600mm+fl.fan nzl.110°	65
15.0006.05	CP600-06 lan,PVC,600mm+fl.fan nzl.110°	65
15.0006.06	CP600-08 lan,PVC,600mm+fl.fan nzl.110°	65
15.0006.51	CP600-025 lan,PVC,600mm+con.nzl 1,0mm	65
15.0006.52	CP600-035 lan,PVC,600mm+con.nzl 1,2mm	65
15.0006.53	CP600-05 lan,PVC,600mm+con.nzl 1,5mm	65
15.0013.12	CP12-04 sp. gun, grey trigger	2
15.0030.02	Cpat2000 teles.lance, sst, nzl 1.1 - 1 e	157
15.0216.01	Cpa600-02 lance, sst, 600mm	157
15.0216.02	Cpa600-03 lance, sst, 600mm	157
15.0216.07	Cpa600-01 lance, sst, 600mm	157
21.0000.15	Inject.,fix.,3/8MM Bsp 1,5mm nzl	4
21.0000.18	Inject.,fix.,3/8MM Bsp 1,8mm nzl	4
21.0000.21	Inject.,fix.,3/8MM Bsp 2,1mm nzl	4
21.0000.23	Inject.,fix.,3/8MM Bsp 2,3mm nzl	4
21.0000.25	Inject.,fix.,3/8MM Bsp 2,5mm nzl	4
21.0012.18	Inject.,fix.,3/8MM Npt 1,8mm nzl	105
21.0012.21	Inject.,fix.,3/8MM Npt 2,1mm nzl	105
21.0012.23	Inject.,fix.,3/8MM Npt 2,3mm nzl	105
21.0015.12	Inject.,fix.,3/8FM Bsp 1,2mm nzl	106
21.0015.18	Inject.,fix.,3/8FM Bsp 1,8mm nzl	106
21.0015.21	Inject.,fix.,3/8FM Bsp 2,1mm nzl	106
21.0015.23	Inject.,fix.,3/8FM Bsp 2,3mm nzl	106
21.0018.12	Inject.,fix.,sst,3/8MM Bsp+1,2mm nzl	4
21.0018.15	Inject.,fix.,sst,3/8MM Bsp+1,5mm nzl	4
21.0018.18	Inject.,fix.,sst,3/8MM Bsp+1,8mm nzl	4
21.0018.21	Inject.,fix.,sst,3/8MM Bsp+2,1mm nzl	4
21.0018.68	Inject.,fix.,sst,3/8MM Npt+1,8mm nzl	4
21.0018.71	Inject.,fix.,sst,3/8MM Npt+2,1mm nzl	4
21.0020.18	Inject.,fix.,3/8MF Bsp 1,8mm nzl	128
21.0020.21	Inject.,fix.,3/8MF Bsp 2,1mm nzl	128
21.0020.23	Inject.,fix.,3/8MF Bsp 2,3mm nzl	128
21.0030.18	Inject.,fix.,3/8M Bsp-M22 1,8mm nzl	128
21.0030.21	Inject.,fix.,3/8M Bsp-M22 2,1mm nzl	128
21.0030.23	Inject.,fix.,3/8M Bsp-M22 2,3mm nzl	128
21.0080.21	Inject.fix.3/8MM Bst-p hb.sw. 2,1mm nzl	293
21.0119.15	Inject.,adj.,sst,3/8MM Bsp+1,5mm nzl	4
21.0119.18	Inject.,adj.,sst,3/8MM Bsp+1,8mm nzl	4
21.0119.21	Inject.,adj.,sst,3/8MM Bsp+2,1mm nzl	4
21.0120.18	Inject.,adj.,sst,3/8MM Npt+1,8mm nzl	4
21.0120.21	Inject.,adj.,sst,3/8MM Npt+2,1mm nzl	4
21.0120.23	Inject.,adj.,sst,3/8MM Npt+2,3mm nzl	4
21.0130.21	Injector,adj.3/8MM Bst-p-hb sw. 2,1mm nzl	293
21.0145.18	Inject.,adjust.,3/8MM Npt+ 1,8mm nzl	44
21.0145.21	Inject.,adjust.,3/8MM Npt+ 2,1mm nzl	44
21.0145.23	Inject.,adjust.,3/8MM Npt+ 2,3mm nzl	44
21.0150.15	Injector, adjustable 3/8MM Bsp 1,5mm nzl	5
21.0150.18	Injector,adjustable, 3/8MM Bsp 1,8mm nzl	5
21.0150.21	Injector,adjustable 3/8MM Bsp 2,1mm nzl	5
21.0150.23	Injector,adjustable 3/8MM Bsp 2,3mm nzl	5
21.0154.15	Injector,adjustable 3/8MM Npt 1,5mm nzl	124
21.0154.18	Injector,adjust. 3/8MM Npt 1,8mm nzl	124
21.0154.21	Injector,adjust. 3/8MM Npt 2,1mm nzl	124
21.0154.23	Injector,adjust.,3/8MM Npt 2,3mm nzl	124
21.0170.15	Injector,adjustable 3/8FM Bsp 1,5mm nzl	127
21.0170.18	Injector,adjustable 3/8FM Bsp 1,8mm nzl	127

Index

21.0170.21	Injector,adjustable 3/8FM Bsp 2,1mm nzl	127
21.0170.23	Injector,adjustable 3/8FM Bsp 2,3mm nzl	127
21.0175.00	Injector,adjustable 3/8MF Bsp w/o nozzle	128
21.0175.18	Injector,adjustable 3/8MF Bsp 1,8mm nzl	128
21.0175.21	Injector,adjustable 3/8MF Bsp 2,1mm nzl	128
21.0175.23	Injector,adjustable 3/8MF Bsp 2,3mm nzl	128
21.0175.25	Injector,adjustable,3/8MF Bsp 2,5mm nzl	128
21.0175.27	Injector,adjustable 3/8MF Bsp 2,7mm nzl	128
21.0180.18	Injector,adjust. 3/8M Bsp-M22 1,8mm nzl	127
21.0180.21	Injector,adjust.,3/8M Bsp-M22 2,1mm nzl	127
21.0180.23	Injector,adjust. 3/8M Bsp-M22 2,3mm nzl	127
21.0500.12	Sst injector,adjust. 3/8MM Bsp 1,2mm extnd.black	258
21.0500.14	Sst injector,adjust. 3/8MM Bsp 1,4mm extnd.black	258
21.0500.18	Sst injector,adjust. 3/8MM Bsp 1,8mm extnd.black	258
21.0500.21	Sst injector,adjust. 3/8MM Bsp 2,1mm extended	258
21.0600.12	Injector,adjust. 3/8MM Bsp 1,2mm extnd.black	222
21.0600.14	Inject.,adj. 3/8MM Bsp 1,4mm extn.red	222
21.0600.18	Inject.,adj. 3/8MM Bsp 1,8mm extn.blue	222
21.0600.21	Inject.,adj. 3/8MM Bsp 2,1mm extn.blue	222
21.0800.25	Foam Injector 1/4 Bspt M 2,5mm	177
22.0000.00	TR1 nzl/hold.,adj. 1/4F Bsp-1/4F Npt	5
22.0000.05	TR1 nzl/hold.,adj. 1/4FF Npt	5
22.0000.15	TR1 nzl/hold.,adj. 1/4F Bsp-1/8F Npt	5
22.0100.00	TR4 adjust.nzl/hold. 1/4F Bsp-Npt+prot.	5
23.0000.00	TD1 nzl/hold.,dbl 1/4F Bsp-2x1/4F Npt	6
23.0000.50	TD1 nzl/hold.,dbl 1/4F Bsp-2x1/8F Npt	6
23.0015.00	TD1P nzl/hold,dbl 1/4F Bsp-2x Npt+prot	6
23.0015.50	TD1P nzl/hold,dbl 1/4F Bsp-2x Npt+prot	6
25.0000.10	TS8-02 Sandblaster, widia	6
25.0000.12	TS8-03 Sandblaster, widia	6
25.0000.14	TS8-04 Sandblaster, widia	6
25.0000.15	TS8-045 Sandblaster, widia	6
25.0000.16	TS8-05 Sandblaster, widia	6
25.0000.18	TS8-075 Sandblaster, widia	6
25.0000.20	TS8-085 Sandblaster, widia	6
25.0020.12	TS2-03 Sandblaster, brass-hard.steel	7
25.0020.14	TS2-04 Sandblaster, brass-hard.steel	7
25.0020.15	TS2-045 Sandblaster, brass-hard.steel	7
25.0020.16	TS2-05 Sandblaster, brass-hard.steel	7
25.0080.12	TS3-03 Sandblaster, plast.-zin.hard.steel	7
25.0080.14	TS3-04 Sandblaster- plast.	7
25.0450.00	TS12 Sandbl.500bar-flat jet	7
25.0460.00	TS12RC Sandbl.500bar-solid stream	8
25.0480.00	TS12RL Extend. Sandblast.-pencil stream	9
25.0700.10	HL250-02 var.angle nzl+Hi/Lo set. Bsp	9
25.0700.11	HL250-025 var.angle nzl+Hi/Lo set. Bsp	9
25.0700.12	HL250-03 var.angle nzl+Hi/Lo set. Bsp	9
25.0700.13	HL250-035 var.angle nzl+Hi/Lo set. Bsp	9
25.0700.14	HL250-04 var.angle nzl+Hi/Lo set. Bsp	9
25.0700.15	HL250-045 var.angle nzl+Hi/Lo set. Bsp	9
25.0700.16	HL250-053 var.angle nzl+Hi/Lo set. Bsp	9
25.0700.25	HL250-032 var.angle nzl+Hi/Lo set. Bsp	9
25.0700.35	HL250-037 var.angle nzl+Hi/Lo set. Bsp	9
25.0800.45	GS3-045 N.hold.+3x nzl 1/4F Bsp	11
25.0800.55	GS3-055 N.hold.+3x nzl 1/4F Bsp	11
25.0800.60	GS3-06 N.hold.+3x nzl 1/4F Bsp	11
25.0850.11	Van250-025 variabl.angle nzl 1/4F Bsp	11
25.0850.12	Van250-03 variabl.angle nzl 1/4F Bsp	11
25.0850.13	Van250-035 variabl.angle nzl 1/4F Bsp	11
25.0850.14	Van250-04 variabl.angle nzl 1/4F Bsp	11
25.0850.15	Van250-045 variabl.angle nzl 1/4F Bsp	11
25.0850.16	Van250-053 variabl.angle nzl 1/4F Bsp	11
25.0900.10	Van-025 var.angle nzl 1/4F Bsp, pink	120
25.0900.11	Van-03 var.angle nzl 1/4F Bsp,white	120
25.0900.12	Van-035 var.angle nzl 1/4F Bsp,brown	120
25.0900.13	Van-04 var.angle nzl 1/4F Bsp,d.yellow	120
25.0900.14	Van-045 var.angle nzl 1/4F Bsp,blue	120

Index

25.0900.15	Van-055 var.angle nzl 1/4F Bsp,d.red	120
25.0900.16	Van-06 var.angle nzl 1/4F Bsp,d.green	120
25.0900.18	Van-08 var.angle nzl 1/4F Bsp,silver	120
25.0900.23	Van-13 var.angle nzl 1/4F Bsp,wht/grn	120
25.0900.28	Van-20 var.angle nzl 1/4F Bsp,wht/red	120
25.0900.50	Van-05 var.angle nzl 1/4F Bsp,l. purple	120
25.0950.11	HL280-025 var.angl.nzl+Hi/Lo set,pink	118
25.0950.12	HL280-03 var.angl.nzl+Hi/Lo set,wht	118
25.0950.13	HL280-035 var.angl.nzl+Hi/Lo set,brwn	118
25.0950.14	HL280-04 var.angl.nzl+Hi/Lo set,d.yell	118
25.0950.15	HL280-045 var.angl.nzl+Hi/Lo set,blue	118
25.0950.16	HL280-053 var.angl.nzl+Hi/Lo set,l.brw	118
25.0950.22	HL280-09 var.angl.nzl+Hi/Lo set,gold	118
25.0950.24	HL280-12 var.angl.nzl+Hi/Lo set,wht/yll	118
25.0950.50	HL280-05 var.angl.nzl+Hi/Lo set,purpl	118
25.1100.11	UR1-03 Nzl,rot.1/4M Npt,white	13
25.1100.12	UR1-035 Nzl,rot.1/4M Npt,brown	13
25.1100.13	UR1-04 Nzl,rot.1/4M Npt,d.yell	13
25.1100.14	UR1-045 Nzl,rot.1/4M Npt,blue	13
25.1100.15	UR1-05 Nzl,rot.1/4M Npt,l. purple	13
25.1100.16	UR1-06 Nzl,rot.1/4M Npt,d. green	13
25.1100.18	UR1-09 Nzl,rot.1/4M Npt,gold	13
25.1130.00	URF180 Rotating head 1/4M Npt-2x1/8F Bsp	13
25.1148.17	UR3-06 Nzl,rot.500bar,1 nzl.,d.green	14
25.1150.11	UR3-06 Nzl,rot.500bar,2 nzl.,d.grn	14
25.1150.12	UR3-07 Nzl,rot.500bar,2 nzl.,orange	14
25.1150.13	UR3-08 Nzl,rot.500bar,2 nzl.,silver	14
25.1170.00	URF400 Rotating head 1/2F-2x1/4F Bsp	14
25.1236.20	RU20 Drain cl.nozzle,nick.pl.1/2Bsp F	184
25.1236.30	RU30 Drain cl.nozzle,nick.pl.1/2Bsp F	184
25.1237.30	RU30 Drain cl.nozzle,nick.pl. 3/4Bsp F	184
25.1237.40	RU40 Drain cl.nozzle,nick.pl. 3/4Bsp F	184
25.1237.50	RU50 Drain cl. nozzle,ni.pl. 3/4Bsp F	184
25.1237.60	RU60 Drain cl.nozzle,nick.pl. 3/4Bsp F	184
25.1239.50	RU50 Drain cl.nozzle,z.pl.1"F Bsp	184
25.1239.60	RU60 Drain cl.nozzle,z.pl.1"F Bsp	184
25.1239.80	RU80 Drain cl. nozzle,z.pl.1"F Bsp	184
25.1246.20	RR20 Dr.cl.nozzle,rotat.,sst 1/2F Bsp	183
25.1246.30	RR30 Dr.cl.nozzle,rotat. sst 1/2F Bsp	183
25.1247.30	RR30 Dr.cl.nozzle,rotat.sst 3/4F Bsp	184
25.1247.40	RR40 Dr.cl.nozzle,rotat,sst 3/4F Bsp	184
25.1249.50	RR50 Dr.cl.nozzle,rotat,sst 1"F Bsp	184
25.1249.70	RR70 Dr.cl.nozzle,rotat,sst. 1"Bsp F	184
25.1285.30	STR-1/8-03 Rotat. drain Clean. noz.1/8 Bsp F	282
25.1285.40	STR-1/8-04 Rotat. drain Clean. noz.1/8 Bsp F	282
25.1285.50	STR-1/8-05 Rotat. drain Clean. noz.1/8 Bsp F	282
25.1285.60	STR-1/8-06 Rotat. drain Clean. noz.1/8 Bsp F	282
25.1285.70	STR-1/8-07 Rotat. drain Clean. noz.1/8 Bsp F	282
25.1285.80	STR-1/8-08 Rotat. drain Clean. noz.1/8 Bsp F	282
25.1290.30	STR-1/4-03 Rotat. drain Clean. noz.1/4 Bsp F	282
25.1290.40	STR-1/4-04 Rotat. drain Clean. noz.1/4 Bsp F	282
25.1290.50	STR-1/4-05 Rotat. drain Clean. noz.1/4 Bsp F	282
25.1290.60	STR-1/4-06 Rotat. drain Clean. noz.1/4 Bsp F	282
25.1290.70	STR-1/4-07 Rotat. drain Clean. noz.1/4 Bsp F	282
25.1290.80	STR-1/4-08 Rotat. drain Clean. noz.1/4 Bsp F	282
25.1295.10	STR-3/8-10 Rotat. drain Clean. noz.3/8 Bsp F	282
25.1295.11	STR-3/8-11 Rotat. drain Clean. noz.3/8 Bsp F	282
25.1295.60	STR-3/8-06 Rotat. drain Clean. noz.3/8 Bsp F	282
25.1295.70	STR-3/8-07 Rotat. drain Clean. noz.3/8 Bsp F	282
25.1295.80	STR-3/8-08 Rotat. drain Clean. noz.3/8 Bsp F	282
25.1295.90	STR-3/8-09 Rotat. drain Clean. noz.3/8 Bsp F	282
25.1410.30	UR36-03 Sst. rotat.nzl,36MPa	290
25.1410.40	UR36-04 Sst. rotat.nzl,36MPa	290
25.1410.50	UR36-05 Sst. rotat.nzl,36MPa	290
25.1410.60	UR36-06 Sst. rotat.nzl,36MPa	290
25.1410.70	UR36-07 Sst. rotat.nzl,36MPa	290
25.1410.80	UR36-08 Sst. rotat.nzl,36MPa	290

Index

25.1460.20	UR60-02 Sst. rotat.nzl,60MPa	303
25.1460.30	UR60-03 Sst. rotat.nzl,60MPa	303
25.1460.40	UR60-04 Sst. rotat.nzl,60MPa	303
25.1460.50	UR60-05 Sst. rotat.nzl,60MPa	303
25.1460.60	UR60-06 Sst. rotat.nzl,60MPa	303
25.1460.70	UR60-07 Sst. rotat.nzl,60MPa	303
25.1460.80	UR60-08 Sst. rotat.nzl,60MPa	303
25.1520.12	LS3.1 Foamer 1,25mm+1L tank	116
25.1520.14	LS3.1 Foamer 1,4mm + tank 1L	116
25.1530.18	LS3 foamer extern. intake 1,8+inject. 1,2	198
25.1620.30	UR25-03 Rotat.nzl,250bar, white	135
25.1620.35	UR25-035 Rotat.nzl,250bar, brown	135
25.1620.40	UR25-04 Rotat.nzl,250bar, d. yellow	135
25.1620.45	UR25-045 Rotat.nzl,250bar, blue	135
25.1620.50	UR25-05 Rotat.nzl,250bar, l.purple	135
25.1620.55	UR25-055 Rotat.nzl,250bar, d. red	135
25.1620.60	UR25-06 Nzl.,rot.,250bar, d.green	135
25.1620.65	UR25-065 Rotat.nzl,250bar, l.blue	135
25.1620.70	UR25-07 Rotat.nzl,250bar, orange	135
25.1620.80	UR25-08 Rotat.nzl,250bar, silver	135
25.1680.20	UR16-02 Rotat.nzl,160bar, light green	159
25.1680.25	UR16-025 Rotat.nzl,160bar, pink	159
25.1680.30	UR16-03 Rotat.nzl,160bar, white	159
25.1680.35	UR16-035 Rotat.nzl,160bar, brown	159
25.1680.40	UR16-04 Rotat.nzl,160bar, d. yellow	159
25.1680.45	UR16-045 Rotat.nzl,160bar, blue	159
25.1680.50	UR16-05 Rotat.nzl,160bar, l.purp.	159
25.1680.55	UR16-055 Rotat.nzl,160bar, d. red	159
25.1680.60	UR16-06 Rotat.nzl,160bar, d.green	159
25.1680.65	UR16-065 Rotat.nzl,160bar, l.blue	159
25.1680.70	UR16-07 Rotat.nzl,160bar, orange	159
25.1680.80	UR16-08 Rotat.nzl,160bar, silver	159
25.1690.30	UR32-03 Rotat.nzl,350bar, white	160
25.1690.35	UR32-035 Rotat.nzl,350bar, brown	160
25.1690.40	UR32-04 Rotat.nzl,350bar, d. yellow	160
25.1690.45	UR32-045 Rotat.nzl,350bar, blue	160
25.1690.50	UR32-05 Rotat.nzl,350bar, purple	160
25.1690.55	UR32-055 Rotat.nzl,350bar, d. red	160
25.1690.60	UR32-06 Rotat.nzl,350bar, green	160
25.1690.65	UR32-065 Rotat.nzl,350bar, l.blue	160
25.1690.70	UR32-07 Rotat.nzl,350bar, orange	160
25.1690.80	UR32-08 Rotat.nzl,350bar, silver	160
25.1720.20	UR20-02 Rotat.nzl,200bar, green	15
25.1720.30	UR20-03 Rotat.nzl,200bar, white	15
25.1720.35	UR20-035 Rotat.nzl,200bar, brown	15
25.1720.40	UR20-04 Rotat.nzl,200bar, d.yellow	15
25.1720.45	UR20-045 Rotat.nzl,200bar, blue	15
25.1720.50	UR20-05 Rotat.nzl,200bar, l.purple	15
25.1720.55	UR20-055 Rotat.nzl,200bar, d.red	15
25.1720.60	UR20-06 Rotat.nzl,200bar, d.green	15
25.1720.65	UR20-065 Rotat.nzl,200bar, l.blue	15
25.1720.70	UR20-07 Rotat.nzl,200bar, orange	15
25.1735.10	UR35-10 Rotat.nzl,350bar, wht/blue	16
25.1735.12	UR35-12 Rotat.nzl,350bar, wht/yell.	16
25.1735.19	UR35-20.00 Rotat.nzl,350bar, wht/red	16
25.1735.20	UR35-02 Rotat.nzl,350bar, l.green	16
25.1735.30	UR35-03 Rotat.nzl,350bar, white	16
25.1735.35	UR35-035 Rotat.nzl,350bar, brown	16
25.1735.40	UR35-04 Rotat.nzl,350bar, d.yell.	16
25.1735.45	UR35-045 Rotat.nzl,350bar, blue	16
25.1735.50	UR35-05 Rotat.nzl,350bar, l.purple	16
25.1735.55	UR35-055 Rotat.nzl,350bar, d.red	16
25.1735.60	UR35-06 Rotat.nzl,350bar, d.green	16
25.1735.65	UR35-065 Rotat.nzl,350bar, l.blue	16
25.1735.80	UR35-08 Rotat.nzl,350bar, silver	16
25.1735.90	UR35-09 Rotat.nzl,350bar, gold	16
25.1750.30	UR50-03 Rotat.nzl,500bar	16

Index

25.1750.40	UR50-04 Rotat.nzl,500bar, d.yell.	16
25.1750.45	UR50-045 Rotat.nzl,500bar, blue	16
25.1750.50	UR50-05 Rotat.nzl,500bar, l.purple	16
25.1750.55	UR50-055 Rotat.nzl,500bar, d.red	16
25.1750.60	UR50-06 Rotat.nzl,500bar, d.grn	16
25.1750.65	UR50-065 Rotat.nzl,500bar, l.blue	16
25.1750.70	UR50-07 Rotat.nzl,500bar, orange	16
25.1800.15	LS12 Foamer, 1,5mm	17
25.1815.15	LS12 Foamer 1,5mm Sst.	17
25.1840.15	LS12 Foamer 1,5mm+1L tank	189
25.1840.21	LS12 Foamer 2,1mm+1L tank	189
25.1842.15	LS12 Foamer 1,5mm+2L tank	189
25.1845.18	LS12asp.e Foamer 1,8mm+ext.inje.1,2-black	222
25.1845.21	LS12asp.e Foamer 2.1mm+ext.inject.1,4-red	222
25.1845.25	LS12asp.e Foamer 2.5mm+ext.inject.1,8-blue	222
25.1851.18	LS12 asp.e Foam lance exter.suct. 1,8-black	222
25.1851.21	LS12 asp.e Foam lance exter.suct. 2,1mm	222
25.1851.25	LS12 asp.e Foam lance exter.suct. 2,5-blue	222
25.1860.00	LS10 foamer 1/4F Bsp-1,5mm nzl.	183
25.1860.15	LS10 foamer 3/8M Bsp-1,5mm nzl.	183
25.1865.15	LS10 foamer 3/8M Bsp-1,5mm nzl+1L tank	186
25.1868.15	LS10 foamer 3/8M Bsp-1,5mm nzl+2L tank	186
25.3650.40	MI42-316-rot.nozz.L 650- 40l/min-NSF Atex0496	227
25.3650.50	MI42-316-rot.nozz.L 650- 50l/min-NSF Atex0496	227
25.4300.00	M21E Tank cl.,el.-driv., 220V AC/50Hz	18
25.4300.24	M21E Tank cl.,el.-driv.,240V AC/50Hz AUS	18
25.4300.60	M21E Tank cl.,el.-driv.,110V AC/60Hz USA	18
25.4300.62	M21E Tank cl.,el.-driv.,100V AC/60Hz JAP	18
25.4350.00	M25E Barrel cl.,elect.driv+suction	62
25.4350.24	M25E Barrel cl.,elect.driv+suction AUS	62
25.4350.25	M25E Barrel cl.,el.driv+suct.24V AC	62
25.4350.60	M25E Barrel cl.,+suct. 115V AC/60Hz USA	62
25.4363.00	M25E Barrel cl.,electr.driv+suct.,flex.	145
25.4363.24	M25E Barrel cl.,el.driv+suct.,flex. AUS	145
25.4363.25	M25E Barrel cl.,elect.driv+suct.,flex.	145
25.4363.60	M25E Barrel cl.,el.driv+suct.,flex.USA	145
25.4380.00	M28E Barrel cl.,el.driv+suct.,flex.220V	165
25.4380.60	M28E Barrel cl.,el.driv+suct.,flex.USA	165
25.4385.00	Holder for M28E-Barrel cleaner	165
25.4500.00	M63E-50 Tank cl.,electric-driven,24V AC	20
25.4500.04	M63E-45 Tank cl.,electric-driven, 24V AC	20
25.4520.00	M63PA-50 Tank cl.,air -driv. 900mm -Atex	21
25.4520.04	M63PA-45 Tank cl.,air -driv. 900mm-Atex	21
25.4600.20	MI63-50 Tank cl.,hydr.-driv.,2mm-inject.	22
25.4600.24	MI63-45 Tank cl.,hydr.-driv.,2mm-inject.	22
25.4600.30	MI63-50 Tank cl.,hydr.-driv.,3mm-inject.	22
25.4600.40	MI63-50-1/8 inject.4,00mm	22
25.4600.50	MI63-50 Tank cl.,hydr.-driv.,5mm-inject.	22
25.4720.00	M85PA Tank cl.,air -driv. 915mm Atex	24
25.4750.00	MI85 Tank cl.,hydr.-driv. w/o inject.	25
25.4750.20	MI85 Tank cl.,hydr.-driv. 2mm inject.	25
25.4770.00	M85E Tank cl.,el.-driv.24V AC	26
25.4820.20	A80R Tank clean.,s/prop.,2mm inject.	207
25.4820.25	A80R Tank clean.,s/prop.,2,5mm inject.	207
25.4820.30	A80R Tank clean.,s/prop.,3mm inject.	207
25.4820.40	A80R Tank clean.,s/prop.,4mm inject.	207
25.4820.50	A80R Tank clean.,s/prop.,5mm inject.	207
25.4820.60	A80R Tank clean.,s/prop.,6mm inject.	207
25.4820.70	A80R Tank clean.,s/prop.,7mm inject.	207
25.4820.80	A80R Tank clean.,s/prop.,7mm short inj.	207
25.4820.90	A80R Tank clean.,s/prop.,9mm inject.	207
25.4825.25	A80R Tank cl.,2,5mm inject,strght nozzl.	207
25.4825.60	A80R Tank cl.,6mm inject,straight nozzl.	207
25.4825.70	A80R Tank cl.,7mm inject,straight nozzl.	207
25.4826.60	A80R/6mm Clean.head,strgt.nozzles-Viton	207
25.4850.25	A80-R2 Tank clean.,2-stage,2,5mm inject.	209
25.4850.40	A80-R2 Tank clean.,2-stage, 4mm inject.	209

Index

25.4850.70	A80-R2 Tank clean.,s/prop.,7mm inject.	209
25.4850.80	A80-R2 tank cleaner, 7mm, short inj.	209
25.4860.40	A80LU Tank clean.,s/prop.,4 mm inject.- HF HNO3	201
25.4860.50	A80LU Tank clean.,s/prop.,5 mm inject.- HF HNO3	201
25.4860.60	A80LU Tank clean.,s/prop.,6 mm inject.- HF HNO3	201
25.4860.80	A80LU Tank clean.,s/prop.,7c mm inject.- HF HNO3	201
25.4872.50	A80RA Tank clean.,s/prop., inj. 5mm Atex 0496	206
25.4872.60	A80RA Tank clean.,s/prop., inj. 6mm Atex 0496	206
25.4872.80	A80RA Tank clean.,s/prop., inj. 7sh.Atex 0496	206
25.4880.00	A80FD Front/Direct Tank clean.-2 nozzles	179
25.4902.25	MI63A-50 Tank cl.,hy.-driv.,2,5mm-.Atex 0496	22
25.5150.20	A42FR2 Tank clean.,s/prop,20 l/min	144
25.5150.26	A42FR2 Tank clean.,s/prop,30 l/min	144
25.5150.33	A42FR2 Tank clean.,s/prop,60 l/min	144
25.5150.40	A42FR2 Tank clean.,s/prop,40 l/min	144
25.5180.20	A42-R Tank clean.,s/prop., 20 l/min	151
25.5180.30	A42-R Tank clean.,s/prop., 30 l/min	151
25.5180.40	A42-R Tank clean.,s/prop., 40 l/min	151
25.5180.50	A42-R Tank clean.,s/prop.,50 l/min	151
25.5190.26	A43FR2 Tank clean.,s/prop,30l/min	144
25.5190.30	A43FR2 Tank clean.,s/prop,40l/min	144
25.5190.34	A43FR2 Tank clean.,s/prop,50 l/min	144
25.5190.35	A43FR2 Tank clean.,s/prop,35l/min	144
25.5200.20	A42-R2 Tank clean.,2-stage, 20 l/min	143
25.5200.24	A42-R2 Tank clean.,s/prop., 25 l/min	143
25.5200.28	A42-R2 Tank clean.,s/prop., 30 l/min	143
25.5200.33	A42-R2 Tank clean.,s/prop., 50 l/min	143
25.5200.34	A42-R2 Tank clean.,s/prop., 40 l/min	143
25.5400.30	A44FR2 Tank clean.,2-stage, 40 l/min	144
25.5400.60	A44FR2 Tank clean.,2-stage, 60 l/min	144
25.5600.20	A42-R -Ai316 Tank clean.s/prop.20 l/m.Atex0496	237
25.5600.30	A42-R -Ai316 Tank clean.,s/prop., 30 l/m.Atex0496	237
25.5600.40	A42-R -Ai316 Tank clean.,s/prop.40 l/m.Atex0496	237
25.5700.40	A42R -316-360°-O-Tank clean.,s/prop.40 l/m	311
26.0005.31	AR1 A M22 screw-type nipple-A M22	27
26.0110.20	AR1 B 1/2Bsp 2pcs 15mm screw.cpl.1/4F	27
26.0113.31	AR1 A 1/2Bsp 15mm screw.nippl.-1/4F Bsp	27
26.0150.05	AR1 B M22 2pcs screw.coupler-1/8F Bsp	27
26.0150.20	AR1 B M22 2pcs screw.coupl.-1/4F Bsp	27
26.0150.30	AR1 B M22 2pcs screw.coupl.-1/4M Bsp	27
26.0150.40	AR1 B M22 2pcs screw.coupl.-3/8M Bsp	27
26.0199.31	AR3 A M22 hex, screw. nipple-1/4M Bsp	27
26.0200.31	AR3 A M22 hex. screw. nipple-1/4F Bsp	27
26.0205.00	AR3 B M22 2pcs hex.screw.cpl.-1/4F Bsp	27
26.0210.00	AR3/23 B M22 2pcs hex.screw.cpl.-1/4F Bsp	235
26.0220.00	AR4 B M22 2pcs hex.screw.cpl.-1/4F Bsp	27
26.0225.31	AR4 A M22 hex.screw-type nipple-1/4F Bsp	27
26.0250.05	AR1 B M22 3pcs screw.coupl.-1/8F Bsp	28
26.0250.20	AR1 B M22 3pcs screw-type cpl.-1/4F Bsp	28
26.0250.30	AR1 B M22 3pcs screw.coupl.-1/4M Bsp	28
26.0250.40	AR1 B M22 3pcs screw-type cpl.-3/8F Bsp	28
26.0250.50	AR1 B M22 3pcs screw-type cpl.-3/8M Bsp	28
26.0250.60	AR1 B M22 3pcs screw-type cpl.-1/2F Bsp	28
26.0250.70	AR1 B M22 3pcs screw.coupl.-1/2M Bsp	28
26.0270.20	AR1 B M21 3pcs screw.coupl.-1/4F Bsp	28
26.0270.30	AR1 B M21 3pcs screw.coupler-1/4M Bsp	28
26.0270.40	AR1 B M21 3pcs screw.coupler-3/8F Bsp	28
26.0270.50	AR1 B M21 3pcs screw.coupler-3/8M Bsp	28
26.0630.20	AR8 A M24 screw-type nipple -1/4F Bsp	29
26.0630.40	AR8 A M24 screw-type nipple -3/8F Bsp	29
26.0650.30	AR8 B M24 3pcs screw.coupl.-1/4M Bsp	29
26.0650.50	AR8 B M24 3pcs screw.coupler-3/8M Bsp	29
26.0700.20	AR7 A 1/2Bsp screw-type nipple-1/4F Bsp	29
26.0750.20	AR7 B 1/2Bsp 3pcs screw.coupler 1/4F Bsp	29
26.0750.30	AR7 B 1/2Bsp 3pcs screw.coupler 1/4M Bsp	29
26.0750.40	AR7 B 1/2Bsp 3pcs screw.coupler 3/8F Bsp	29
26.0750.50	AR7 B 1/2Bsp 3pcs screw.coupler 3/8M Bsp	29

Index

26.0840.60	AR200 A M30-21,5mm screw.nippl.,sst-3/4F Bsp	223
26.0850.60	AR200 B M30-3pcs 21,5mm scr.cpl,sst-3/4F Bsp	223
26.0900.00	ARG B M22 rot.screw-type coupl.1/4M Bsp	29
26.0910.00	ARG B M22 rot.screw-type coupl.-A M22	29
26.0940.40	AR9 A M24 15mm screw.nippl.,sst-3/8F Bsp	30
26.0940.50	AR9 A M24 15mm screw.nippl.,sst-3/8M Bsp	30
26.0940.70	AR9 A M24 15mm screw.nippl.,sst-1/2M Bsp	30
26.0950.30	AR9 B M24-3pcs 15mm scr.cpl,sst-1/4M Bsp	30
26.0950.40	AR9 B M24,3pcs 15mm scr.cpl,sst-3/8F Bsp	30
26.0950.50	AR9 B M24-3pcs 15mm scr.cpl,sst-3/8M Bsp	30
26.0950.70	AR9 B M24,3pcs 15mm scr.cpl,sst-1/2M Bsp	30
26.1000.00	LR Swivel,brass 3/8MF Bsp	30
26.1000.05	LR Swivel,brass 3/8M-1/4F Bsp	30
26.1000.10	LR Swivel,brass 3/8MF Npt	30
26.1019.31	AR5 A M22 screw-type nipple-3/8M Bsp	31
26.1020.31	AR5 A M22 screw-type npl.1/4M Bsp	31
26.1025.00	AR5 B M22 2pcs rot.scr.cpl,sst-1/2M Bsp	30
26.1028.00	AR5 B M22 2pcs screw.coupl.-1/4F Bsp	30
26.1029.00	AR5 B M22 2pcs rot.screw.cpl.,-1/2M Bsp	30
26.1032.31	AR5 A M22 screw-type nipple-1/4F Bsp	30
26.1033.00	AR5 B M22 3pcs rot.screw.coupl.-3/8F Bsp	31
26.1034.00	AR5 B M22 3pcs rot.screw.coupl.-3/8M Bsp	31
26.1034.20	AR5 B M22 3pcs rot.screw.coupl.-1/4F Bsp	31
26.1034.50	AR5 B M22 3pcs rot.screw.coupl.-1/4M Bsp	31
26.1035.00	AR5 B M22 2pcs screw.coupl.-3/8M Bsp	30
26.1040.00	MR-O Swivel, brass 1/4 MF Bsp	31
26.1050.00	MR-O Swivel, brass 3/8 MF Bsp 60°con.	31
26.1055.00	MR-O Swivel, brass 1/2 MF Bsp	31
26.1060.00	MR-I Swivel, sst 1/4 MF Bsp	31
26.1060.50	MR-I Swivel, sst 1/4 MF Npt	31
26.1061.00	MR-I Swivel, sst 3/8 MF Bsp	31
26.1061.50	MR-I Swivel, sst 3/8 MF Npt	31
26.1070.00	SW5 Swivel,sst 1/2 MF Bsp -large flow	32
26.1080.00	SW5 Swivel,brass 1/2 MF Bsp -large flow	32
26.1200.20	SW25 Swivel,ball-bear. 1/4 FM Bsp	32
26.1200.22	SW25 Swivel,ball-bear. 3/8M-1/4F Bsp	32
26.1200.28	SW25 Swivel,ball-bear. 3/8F-1/4F Bsp	32
26.1200.40	SW25 Swivel,ball-bear. 3/8 MF Bsp	32
26.1200.45	SW25 Swivel,ball-bearing 3/8 FF Bsp	32
26.1300.20	SW90 Swivel 90°, sst, 1/4 MF Bsp	32
26.1300.40	SW90 Swivel 90°, sst, 3/8 MF Bsp	32
26.1300.42	SW90 Swivel 90°, sst, 1/4F-3/8M Bsp	32
26.1320.00	SW90 Swivel 90°, sst, 1/2 MF Bsp	129
26.1400.00	GR38 -Rotating Head, 3/8M Bsp - 2xM12	211
26.1412.40	SW35 Swivel,ball-bear. 3/8 Bsp M-F	215
26.1412.43	SW35 Swivel,ball-bear. 3/8 Bsp M-M	215
26.1412.45	SW35 Swivel,ball-bear. 3/8 Bsp F-F	215
26.1412.48	SW35 Swivel,ball-bear. 3/8 Bsp F-M	215
26.1420.00	GR38/200 - Rotating Head, 3/8M - 2x1/8FBsp -200mm	202
26.1440.00	GR38/400 - Rotating Head, 2x1/8FNpt -400m	202
26.1440.08	GR38/400/8°- Rotating Head, 2x1/8FNpt -400m	202
26.2010.00	ARS250 B ball-type coupler 3/8M Bsp	33
26.2010.10	ARS250 B ball-type coupler 3/8F Bsp	33
26.2010.20	ARS250 B ball-type coupler 1/4F Bsp	33
26.2010.30	ARS250 B ball-type coupler 1/2F Bsp	33
26.2015.61	ARS250 A ball-type nipple 3/8F Bsp	33
26.2016.61	ARS250 A ball-type nipple 1/4F Bsp	33
26.2023.61	ARS250 A ball-type nipple 3/8M Bsp	33
26.2024.61	ARS250 A ball-type nipple 1/2M Bsp	33
26.2030.00	ARS220 B ball-type coupler 3/8F Bsp	33
26.2030.20	ARS220 B ball-type coupler 1/4F Bsp	33
26.2030.25	ARS220 B ball-type coupler 1/4M Bsp	33
26.2030.80	ARS220 B ball-type coupler M22 F	33
26.2035.51	ARS350 A ball-type nipple,sst,3/8F Bsp	34
26.2035.61	ARS220 A ball-type nipple,nick.pl.,3/8F Bsp	33
26.2040.51	ARS350 A ball-type nipple,sst,1/4F Bsp	34
26.2040.61	ARS220 A ball-typ.nipple,n.pl.,1/4FBsp	33

Index

26.2045.51	ARS350 A ball-type nipple,sst,1/4M Bsp	34
26.2045.61	ARS220 A ball-type nipple,nick.pl.,1/4M Bsp	33
26.2050.00	ARS350 B ball-type coupler,sst,3/8F Bsp	34
26.2050.20	ARS350 B ball-type coupler,sst,1/4 F Bsp	34
26.2050.25	ARS350 B ball-type coupler,sst,1/4 M Bsp	34
26.2055.25	ARS350P- B ba/typ. coupler,sst,1/4 M Bsp+hand.	274
26.2060.00	ARSU B ball.cpl.-Q-STYLE nzl 1/4F Npt	118
26.2400.00	ARS25 B ball-type coup.1/4Bsp F pin 12mm Kw	204
26.2400.60	ARS25 B ball-type coupler,1/4Bsp M pin 12mm Kw	204
26.2410.60	ARS25P br B ball-tyr.coup.1/4BspM pin 12-kw	278
26.2440.60	ARS25Psst-B ball-tyr.coupl.1/4BspM pin12-Kw	279
26.2500.10	ARS178 B sst ball-type coupler 3/8 Bsp F	234
26.2500.30	ARS178 B sst ball-type coupler 1/2F Bsp	234
26.2500.40	ARS178 B sst ball-type coupler 1/2 M Bsp	234
26.2555.30	ARS178P- B sst ball-type coupl. 1/2 F Bsp+handle	275
26.2555.40	ARS178P- B sst ball-type coupl. 1/2 M Bsp+handle	275
28.0010.00	FA1 Strainer,alum.1/2MF Bsp-38Mesh	34
28.0010.20	FA1 Strainer,alum.1/2MF Bsp-86Mesh	34
28.0035.00	Strainer 3/8M Bsp+17mm h.barb	34
28.0040.00	Strainer 1/2M Bsp+17mm h.barb	34
28.0042.00	Strainer 1/2M Bsp+19mm h.barb	34
28.0047.00	Strainer 3/8M Bsp+19mm h.barb	34
28.0160.00	FYO Y-strainer,brass+sst,3/8 FF Bsp	35
28.0162.00	FYO Y-strainer,brass+sst,1/2 FF Bsp	35
28.0162.50	FYO Y-strainer,brass+sst,1/2 FF Npt	35
28.0164.00	FYO Y-strainer,brass+sst,3/4 FF Bsp	35
28.0250.00	Ball-type coupler,22mm 1/2M Bsp	36
28.0250.30	Ball-type coupler,22mm 3/4M Bsp	36
28.0250.40	Ball-type coupler,22mm 3/4F Bsp	36
28.0255.31	Ball-type coupler,22mm-17-19mm h.barb	36
28.0300.00	F5-Suct.strainer, 1/2FM Bsp/t	36
28.0300.20	F5-Suct.strainer, 1/2FF Bsp	36
28.0320.00	F5 L-Suct.strainer, 1/2F Bsp/Bst M-300micr.46mesh	265
28.0320.15	F5 L-Suct.strainer, 1/2FM Bsp/t-150micron(100mesh)	265
28.0320.20	F5 L -Suct.strainer, 1/2FF Bsp-300micr-46mesh	265
28.0320.65	F5 L-Suct.strainer, 1/2FF Bsp-150micr-100mesh	265
28.0350.00	F5 B-Suct.strainer,1/2 Bsp/t FM+byr.1/4F	36
28.0350.20	F5 B-Suct.strainer,1/2FF+byr. 1/4F Bsp	36
28.0360.00	F5 Bn-Suct.strain.,strng.,1/2Bsp/t FM+1/4F	36
28.0370.00	F5L B-Suct.strain.1/2Bsp/t FM+1/4F -300micr.	265
28.0380.00	F8 -Suct.strainer, 1/2FF Bsp-300micr-46mesh	286
28.0380.15	F8 -Suct.strainer, 1/2FF Bsp-150micr-100mesh	286
28.0390.00	F8 -Suct.strainer, 3/4 FF Bsp-300micr-46mesh	286
28.0390.15	F8-Suct.strainer, 3/4 FF Bsp-150micr-100mesh	286
28.0400.10	FL7 Flow switch 3/8FF Bsp	153
28.0400.38	FL7 Flow switch 3/8FF Bsp, 4 l/min	153
28.0430.00	FL7MS Flow switch 3/8FF Bsp-0,3 l/min	289
28.0450.00	FL7 inox Flow switch 3/8Bsp FF-50MPa	228
28.0500.10	FL3 Flow switch 3/8MM Bsp	149
28.0530.10	FL3 Flow switch 3/8MM +1/4F Bsp	149
28.0540.10	FL3-2 Fl.switch 3/8MM Bsp brass pist.	149
28.0600.00	VT.BP.1Thermal protector 1/2Npt 63°C +hose barb	230
28.0600.15	VT.BP.1Thermal protec.1/2Bsp 63°C -1MPa +ho/bar.	230
28.0700.00	RP1 Inlet pressure reducer 1/2FF Bsp	36
28.2020.00	Tank,3/8M Bsp +20mm h.barb, straight	37
28.2020.10	Tank,3/8M Bsp +20mm h.barb,bent	37
28.3000.00	BTR 1750 ceiling boom,rot.,single	38
28.3020.00	BTR 2000 ceiling boom,rot.,single	38
28.3025.00	BTR 2500 ceiling boom,rot.,single	38
28.3030.00	BTR 1600 Ceiling boom,rot.,2 springs	38
28.3040.00	BTR 1200 Ceiling boom, 2 springs	38
28.3060.00	BTAP 1750 wall mount boom, rot.	39
28.3060.25	BTAP 2500 wall mount boom, rot.	39
28.3080.00	BTC 1550 Ceiling boom, bent, 2 springs	40
28.3100.00	BTD 1750/1600 ceiling boom,rot.,double	41
28.3100.20	BTD 2000/1750 ceiling boom,rot.,double	41
28.3100.25	BTD 2500/2000 ceiling boom,rot.,double	41

Index

28.3150.00	BTI-1820 inclin.ceiling boom,rot.,single	57
28.3250.00	VPS Brush Tank, Stainless steel	177
28.3300.00	BTE 1980 Inclin.Ceiling boom-1 spring	167
28.3320.00	BTi-S 1815 Inclin.Ceiling boom-1 spring	221
28.3370.00	BTD-S 1815 Strgt.ceiling boom-1 spring	220
28.3380.00	BPE Boom 1980mm 1 spring straight wall-mounted	256
28.3400.00	BGMS Standing Boom + Sst. holder	178
28.3530.00	BTZ 1650 Ceiling Boom 1650mm straight, zinc-plated	194
29.0000.00	PR1 press.sw.,sst,3/8M Bsp 45bar black	42
29.0000.25	PR1 press.sw.,sst,3/8M Bsp 2,5MPa red	42
29.0035.10	PR16 press.sw.,sst,3/8M Bsp 40bar black	43
29.0035.15	PR16 press.sw.,sst,3/8M Bsp 25bar red	43
29.0035.25	PR16 press.sw.,sst,1/4M Bsp 25bar red	43
29.0035.30	PR16 press.sw.,sst,1/4M Bsp 40bar black	43
29.0035.50	PR16 press.sw.,sst,1/4M Npt 40bar black	43
29.0035.52	PR16 press.sw.,sst,1/4M Npt 25bar red	43
29.0035.62	PR16 press.sw.,sst,3/8M Npt 25bar red	43
29.0040.00	PR16 press.sw.,brass,3/8M Bsp 40bar blk	43
29.0040.11	PR16 press.sw.,brass,3/8M Bsp 15bar blue	43
29.0040.20	PR16 press.sw.,brass,1/4M Bsp 40bar blk	43
29.0040.30	PR16 press.sw.,brass,1/4M Bsp 25bar red	43
29.0040.40	PR16 press.sw.,brass,1/4M Bsp 15bar blue	43
29.0080.00	PR5 press.sw.,brass,1/4M Bsp 25bar red	45
29.0080.10	PR5 press.sw.,brass,1/4M Bsp 15bar blue	45
29.0080.50	PR5 press.sw.,brass,1/4M Bsp-4MPa-black	45
29.0080.75	PR5 press.sw.,brass,1/8M Bsp 10bar yell.	45
29.0080.80	PR5 press.sw.,brass,3/8M Bsp 40bar black	45
29.0100.00	ES1 Easy starter, 3/8M Npt	45
29.0100.50	ES1 Easy starter, 3/8M Bsp	45
29.0100.60	ES1 Easy starter, 1/4M Bsp	45
29.0120.00	RG1 Throttle controller -7mm stroke	46
29.0130.00	RG1 Throttle controller -14mm stroke	46
29.0150.00	RGP Float valve,plast.3/4M Bsp	46
29.0160.00	RGO Float valve,brass 3/8M Bsp	46
29.0160.10	RGO Float valve,brass 1/2M Bsp	46
29.0160.20	RGO Float valve,brass 3/4M Bsp	46
29.0160.30	RGO Float valve,brass 1/2F Bsp	46
29.0220.00	RG30 Plastic float valve, 3/8Bsp M	199
29.0220.20	RG30 Plastic float valve, 1/2Bsp M	199
29.0220.70	RG30 Plastic float valve, 3/4Bsp M	199
29.0280.00	RG60 Float valve,brass,1/2M Bsp	118
29.0280.20	RG60 Float valve, brass 3/4M Bsp	118
29.0360.00	T52 Hose reel,alum,3/8MM Bsp 80m	180
29.0375.00	T53 Hose reel,alum,1/2MM Bsp 58m	180
29.0390.00	T100 Hose reel,alum,1/2MM Bsp 100 m	180
29.0400.00	RF1 Flow regulator 1/4MF Bsp	48
29.0500.00	SR8 rotating brush,3mm nzl.	48
29.0530.00	SP9 Brush 1/4 Bsp F black hair 77mm(3`)	177
29.0540.00	SP9 Brush 1/2NptF black hair 97mm(3,8`)	177
29.0600.00	LP1 floor cleaner, sst, A M22, 410mm	49
29.0700.10	LPR8/2 floor cl,sst 3/8F Bsp,450mm,rot.nzl	277
29.0710.00	T16 H.reel,plast.3/8MF Bsp 10m+brass sw.	50
29.0720.00	T26 H.reel,plast.3/8MM Bsp 20m+brass sw.	50
29.0727.00	T27 H.reel,plast.3/8MM Bsp 20m+sst.sw.	51
29.0728.00	T28 H.reel,plast.3/4MM Bsp 18m+sst.sw.	51
29.0740.00	T46 H.reel,plast.3/8MM Bsp 40m+brass sw.	50
29.0747.00	T47 H.reel,plast.3/8MM Bsp 40m+sst.sw.	51
29.0900.00	RD6 Twin chemical valve	133
29.0920.08	RV1 steam val. 1/4MM Bsp d.0,8mm	52
29.0920.12	RV1 steam val. 1/4MM Bsp d.1,2mm	52
29.0920.15	RV1 steam val. 1/4MM Bsp d.1,5mm	52
29.0920.20	RV1 steam valv.2,0mm red hand.	52
29.0920.65	RV1 steam val. 1/4MM Bsp d.1,5mm black	52
29.0920.82	RV1 steam val.1/4MM Bsp d.1,2mm-blue han.	52
29.0945.00	RD3 chem.val. 1/4MM Bsp,7mm.h.barb blue	52
29.0954.00	RDY chem.val.90°,1/4MM Bsp+7mm h.bar blk	52
29.0980.00	RD5 chem.val. 1/4MM Bsp,7mm.h.barb	105

Index

30.0000.00	RL16 spr.gun 3/8F-1/4F Bsp	53
30.0000.20	RL16 spr.gun 1/4FF Bsp	53
30.0000.40	RL16 spr.gun 1/4MF Bsp	53
30.0000.50	RL16 spr.gun 3/8F-1/4F Npt	53
30.0050.00	RL160 spr.gun 3/8F Bsp+S4-AR1 B M22	53
30.0050.20	RL160 spr.gun 1/4F Bsp+S4-AR1 B M22	53
30.0050.40	RL160 spr.gun 1/4M Bsp+S4-AR1 B M22	53
30.0100.00	RL20 spr.gun 3/8F-1/4F Bsp	55
30.0100.20	RL20 spr.gun 1/4FF Bsp	55
30.0100.40	RL20 spr.gun A M22-1/4F Bsp	55
30.0100.50	RL20 spr.gun 3/8F-1/4F Npt	55
30.0100.60	RL20 spr.gun 3/8M-1/4F Bsp	55
30.0150.00	RL200 spr.gun 3/8F Bsp+S4-AR1 B M22	53
30.0150.20	RL200 spr.gun 1/4F Bsp+S4-AR1 B M22	53
30.0150.40	RL200 spr.gun A-M22+S4-AR1 B M22	53
30.0150.60	RL200 spr.gun 3/8M Bsp+S4-AR1 B M22	53
30.0400.00	RL22 Spray Gun 3/8F Bsp-1/4F Bsp	172
30.0420.00	RL22 Spray Gun +sw8 3/8F Bsp-1/4F Bsp	172
30.0620.00	Linear 3 spr.gun 3/8F-1/4F Bsp	284
30.0620.50	Linear 3 spr.gun 3/8-1/4 Npt FF	284
30.0640.00	Linear 3 spr.gun +sw6-3/8F-1/4F Bsp	309
30.0650.50	Linear 100/170 spr.gun 1/2 FF Npt	315
30.0680.50	Linear 120/280 spr.gun 1/2 FF Npt	314
30.0740.00	RL26 spr.gun 3/8M Bsp+PL4-AR4 B M22	56
30.0740.60	RL26 spr.gun A M22+PL4-AR4 B M22	56
30.0755.00	RL26 spr.gun 3/8M Bsp+S4-AR4 B M22	56
30.0760.00	RL26 spr.gun A M22+S4-AR1 B M22	56
30.1200.00	RL37 spr.gun 3/8F-1/4F Bsp	149
30.1200.50	RL37 spr.gun 3/8F-1/4F Npt	149
30.1200.80	RL37 gun -3/8-1/4Bsp MF	149
30.1210.00	RL37 weep gun -3/8-1/4Bsp FF	149
30.1215.00	RL37 weep gun+sw6 -Bsp3/8F x 1/4F	149
30.1220.00	RL37 spr.gun +sw.6 3/8F-1/4F Bsp	149
30.1247.00	RL37 sp.gun/sw8st.pin 3/8F-sw.35 1/4F Bsp	200
30.1249.00	RL37 weep.gun,./l.press.+sw8 -sw35	200
30.1255.00	Extn.S7k AR6 A M22,500mm,z.pl,bent	158
30.1258.00	Com.exte.700mm S7k zin.pl.bent 1/4	158
30.1280.00	RL37 spr.gun 3/8F Bsp-AR6 B M22+S7 z.pl.	155
30.1280.80	RL37 spr.gun 3/8M Bsp-AR6 B M22+S7 z.pl.	155
30.1281.00	RL37+sw6 3/8F Bsp-AR6 B M22+S7 z.pl.	155
30.1295.00	Extn.S7 AR6 A M22-500,z.pl,bent	156
30.1297.00	S7 Com.exte.L.700 zin.pl.bent 1/4	156
30.1530.00	RL36 spr.gun 3/8F-1/4F Bsp	294
30.1755.00	RL26 spr.gun 3/8M-1/4F Bsp	190
30.1755.30	RL26 spr.gun 3/8F-1/4F Bsp	190
30.1755.50	RL26 spr.gun 3/8F-1/4F Npt	190
30.1755.60	RL26 spr.gun A M22-1/4F Bsp	190
30.1756.00	RL26 gun 1/4 BSP FF - Ceramic ball	182
30.1757.00	RL26 gun 1/4F Bsp+ceram.ball+700mm Sst lance	182
30.1772.00	RL26 spr.gun+sw.8 3/8F-1/4F Bsp	190
30.1780.00	RL26 l/press.weep.gun3/8F-1/4F Bsp	195
30.1782.00	RL26 l/press.weep.gun+sw6 3/8F-1/4F Bsp	195
30.1790.00	RL26 weep.gun 3/8M-1/4F Bsp (l.1,1)	196
30.1790.50	RL26 weep.gun 3/8F-1/4F Npt	196
30.1792.00	RL26 weep gun(1,1L)+sw8 3/8-1/4Bsp FF	196
30.1794.00	RL26 weep gun(0,6L)+sw8 3/8-1/4Bsp FF	196
30.1795.00	RL26 weep.gun 3/8M-1/4F Bsp (l.0,6)	196
30.2000.00	Vega spr.gun 3/8F-1/4F Bsp	58
30.2000.50	Vega spr.gun 3/8F-1/4F Npt	58
30.2030.00	Vega spr.gun+sw.8 3/8F-1/4F Bsp	58
30.2030.80	Vega spr.gun+sw.8 3/8M-1/4F Bsp	58
30.2035.00	Vega+sw8 spr.gun 3/8F-1/4F Bsp+ceram.ball+sst.pin	58
30.2055.00	Vega weep spray gun 3/8-1/4 Bsp FF	192
30.2055.50	Vega weep.gun 3/8F-1/4F Npt	192
30.2064.00	Vega weep gun +sw.8 3/8-1/4Bsp FF	192
30.2083.00	Vega spr.gun+sw8 3/8M Bsp+S3,sst+AR5/4 B	126
30.2091.00	Vega gun 3/8F Bsp+S3 370mm,sst+AR5/4 B	126

Index

30.2097.00	Vega gun 3/8F Bsp+S3 370mm,z.pl+AR5/4 B	126
30.2098.00	Vega gun 3/8M Bsp+S3 370mm,z.pl+AR5/4 B	126
30.2500.00	RL30 spr.gun 3/8F-1/4F Bsp	114
30.2500.20	RL30 spr.gun A M22-1/4F Bsp	114
30.2500.30	RL30 spr.gun 3/8M-1/4F Bsp	114
30.2500.50	RL30 spr.gun 3/8F-1/4F Npt	114
30.2511.00	RL30 spr.gun+sw.6 3/8F-1/4F Bsp	114
30.2511.20	RL30 spr.gun+sw.6 A M22-1/4F Bsp	114
30.2515.00	RL30 spr.gun 3/8F-1/4F Bsp+ceram.ball	114
30.2540.60	RL30 spr.gun 3/8F Bsp+B Ars 25 brass	281
30.2580.05	RL30 l/press.weep.gun3/8F-1/4F Bsp	125
30.2600.11	RL300 gun 3/8M Bsp+S3 370mm,z.pl+AR5/4 B	122
30.2601.11	RL300 gun 3/8F Bsp+S3 370mm,z.pl+AR5/4 B	122
30.2606.11	RL300 gun 3/8M Bsp+S3 370mm,sst+AR5/4 B	122
30.2607.11	RL300 spr.gun+sw.6+S3 370mm,sst+AR5/4 B	122
30.2608.11	RL300 spr.gun 3/8M Bsp+S3,z.pl+AR1/4 B	122
30.2625.05	RL30 l/press.weep.gun+sw6 3/8F-1/4F Bsp	125
30.2800.00	RL82 sst spr.gun sw5- 1/2F-1/2F Bsp	225
30.2840.00	RL82 sst spr.gun sw5- 1/2F- Bsp-ARS 350 B	244
30.2860.00	RL82 sst spr.gun sw5- 1/2F- Bsp-ARS 178 B	245
30.2880.00	RL82 sst spr.gun sw5- 1/2F- Bsp-ARS 25 B	246
30.2900.00	RL34 brass spr.gun sw5- 1/2F-1/2F Bsp	226
30.2940.00	RL34 br. spr.gun sw5- 1/2F Bsp+ARS 350 B	249
30.2960.00	RL34 br. spr.gun sw5- 1/2F Bsp+ARS 178 B	247
30.2980.00	RL34 br. spr.gun sw5- 1/2F Bsp+ARS 25 B	248
30.3000.50	RLW40 dump gun,coax 3/8F-1/8F Npt 400mm	59
30.3035.24	Knob-kit -RLW40	59
30.3100.50	RLW40 dump gun,coax.3/8F-1/8F Npt 1000mm	59
30.3140.60	Sst. Vega 3/8F Bsp+B Ars 25 sst	280
30.3150.00	Vega Inox spr.gun,sst 3/8F-1/4F Bsp	60
30.3150.50	Vega Inox spr.gun,sst 3/8F-1/4F Npt	60
30.3170.00	RL60 spr.gun,sst+sw.5 1/2FF Bsp	61
30.3170.90	RL60 spray gun Sst.+sw. 1mm 1/2FF Bsp	61
30.3190.00	RL60 sst spr.gun sw5- 1/2F- Bsp-ARS 178 B	285
30.3200.00	RP120 3/4FF Bsp air compr.on-off gun	287
30.3230.00	RP120/280 3/4FF Bsp air compr.on-off gun	300
30.3250.00	RP80/500 1/2FF Bsp air compr.on-off gun	308
30.3280.00	RP30 1/4FF Bsp air compr.on-off gun	283
30.4000.40	Extn.RL100-124 400mm z.pl+knob 1/4F Npt	162
30.4000.80	Extn.RL100-124 800mm z.pl+knob 1/4F Npt	162
30.4100.10	RL51 spr.gun 3/8F-1/4F Bsp	169
30.4100.60	RL51 spr.gun 3/8F-1/4F Npt	169
30.4120.10	RL51 spr.gun +sw 3/8F-1/4F Bsp	169
30.4140.23	RL51 spr.gun +sw 3/8F Bsp+ARS 23	174
30.4500.10	RL56 spr.gun 3/8F-1/4F Bsp	171
30.4550.09	RL56 gun 3/8F Bsp+S3 350 800mm sst	175
30.4550.10	RL56 gun 3/8F Bsp+S3 350 1050mm sst	175
30.4550.12	RL56 gun 3/8F Bsp+S3 350 1200mm sst	175
30.4550.60	RL56 gun 3/8F Npt+S3 350 1050mm sst	175
30.4570.09	RL56 s.gun+sw.+S3 350 800mm sst,strg.	175
30.4570.12	RL56 s.gun+sw.+S3 350 1200mm sst,strg.	175
30.4700.00	RL57 spr.gun,sst 3/8F-1/4F Bsp	295
30.4700.50	RL57 spr.gun,sst 3/8F-1/4F Npt	295
30.5000.40	Lan.sst. RL84-RL204 1/2M Bsp 400mm	164
30.5000.80	Lan.sst. RL84-RL204 1/2M Bsp 800mm	164
30.5000.92	Lan.sst. RL84-RL204 1/2M Bsp 1250mm	164
30.5200.00	RL 204 spr.gun 3/4F-1/2F Bsp	163
30.5300.00	RL124 spr.gun 1/2 FF Bsp	162
30.5400.00	RL 84 spr.gun 1/2FF Bsp	164
30.5650.00	Nova400 spr.gun,sst 3/8F-1/4F Bsp	64
30.5650.50	Nova400 spr.gun,sst 3/8F-1/4F Npt	64
30.5800.00	RL600 spr.gun,sst 3/8 FF Bsp	103
30.5820.00	RL600 spr.gun,sst 3/8 FF Bsp+magn.switch	103
30.5830.00	RL600sst. Ai303 - lance 140 mm --AR9 'B' -M24	260
30.5840.00	SW600 Swivel,ball-bear,sst. 3/8FM Bsp	151
30.6020.00	RV23P Free flow steam gun 1/4F Bsp +1el.sw+1mag.sw	205
30.6030.00	RV 23 Steam gun 1/4F Bsp + 1 magnet. switch	187

Index

30.6100.00	RV23 Steam gun 1/4F Bsp +1el.switch+1mag.sw.	181
30.6140.00	RV23 We.steam g.1/4F +1el.sw+1m.sw.+Ar B M22	236
30.6150.00	RV 23 Steam gun 1/4F Bsp +2elect.sw.+1magn.sw.	188
30.6200.00	RB 35 -low pressure gun -50°C	255
30.6225.00	RB 35 -G1/2F x2 low press. gun +sst.parts	302
30.6250.00	RB 35 -low pressure gun -80°C	255
30.6260.00	RB35 sp.gun, on/off, 1/2FF -50l/min	302
30.6300.00	RB65 spr.gun -Ai316 1/2F Bsp adj.nzl	142
30.6310.00	RB65 sp.gun -Ai316+sw.5 1/2F Bsp adj.nzl	142
30.6400.00	RB65 spray gun,brass 1/2F Bsp adj.nzl	117
30.6425.00	RB65 sp.gun,brass+sw.5 1/2F Bsp adj.nzl	117
30.6430.00	Swivel, brass -RB65+13mm h.barb	117
30.6440.00	RB65 sp.gun, brass 1/2F adj.nozzle -100 l/min	117
30.6445.00	RB65 sp.gun, brass+sw5 1/2F adjust.nozzle	117
30.6450.00	RB65 sp.gun, on/off, brass 1/2FF -100l/min	121
30.6453.00	RB65 sp.gun, on/off, brass+sw5 1/2FF 100 l/min	121
30.6456.40	Lan,sst.RB65 1/2MF Bsp 400mm grip+cpl	121
30.6456.80	Lan,sst.RB65 1/2MF Bsp 800mm grip+cpl	121
30.6465.00	RB65-350-blue spray gun,brass 1/2F Bsp adj.nzl	218
30.6468.00	RB65-350-red spray gun,brass 1/2F Bsp adj.nzl	218
30.6480.00	Sw65 Swivel, ball-bearing, brass 1/2FM Bsp	153
40.0054.00	Extn,z.pl,u/body,90°,500mm+nzl/hold+prot	122
40.0058.00	Extn,z.pl,u/body,90°,700mm+nzl/hold+prot	122
40.0110.00	LS11 lan,sst,700mm+strain+nzl/hold.	65
40.0110.14	LS11 lan,sst,700mm+strain+nzl/hold+prot	65
40.0160.12	S6 lan.-RL600 sst 1200mm+grip	102
40.0160.80	S6 lan.-RL600 sst 800mm+grip	114
40.0240.00	S3 50MPa lan.-50MPa - 1200mm -red	67
40.0258.00	S3 350 lan.1/4M Bspt 800mm sst str.-blue	67
40.0261.00	S3 350 lan.1/4M Bspt 1050mm sst str.blu.	67
40.0261.50	S3 350 lan.1/4M Npt 1050mm sst str.-blue	67
40.0280.00	Ext.185mm+Ars178+br.nozzl. 50/200 +bl.tip pr	276
40.0280.60	Ext.185mm+Ars178+br.nozzl. 50/200+blue tip pr	276
40.0280.80	Ext.185mm+Ars178+sst.nozzl. 50/200+blue tip pr	276
40.0290.00	Ext. Ars178+br.nozzl. 50/200+bl.tip.pr	276
40.0290.60	Ext. Ars178+br.nozzl. 50/200+blue tip.pr	276
40.0290.80	Ext. Ars178+sst.nozzl. 50/200+blue tip.pr	276
40.0535.00	S3 lan.-vnt.grip 500mm z.pl+nzl/hld+prot	68
40.0755.00	S3 lan.-vnt.grip 700mm z.pl+nzl/hld+prot	68
40.0765.00	S3 lan.-vnt.grip 700mm sst+nzl/hld+prot	68
40.0955.00	S3 lan.-vnt.grip 900mm z.pl+nzl/hld+prot	68
40.0955.08	S3 lan.-Npt -vnt.grip 900mm z.pl+nzl/hld+pr.	68
40.0955.50	S3 lan.-vnt.grip 900mm z.pl+1/8 nzl/hld+prot	68
40.0965.00	S3 lan.-vnt.grip 900mm sst+nzl/hld+prot	68
40.1255.00	S3 lan.-vnt.grp 1200mm z.pl+nzl/hld+prot	68
40.1255.50	S3 lan.-vnt.grp 1200mm z.pl+1/8 nzl/hld+prot	68
40.1265.00	S3 lan.-vnt.grip 1200mm sst+nzl/hld+prot	68
40.1555.00	S3 lan.-vnt.grp 1500mm z.pl+nzl/hld+prot	68
40.1555.50	S3 lan.-vnt.grp 1500mm z.pl+1/8 nzl/hld+prot	68
40.1565.00	S3 lan.-vnt.grip 1500mm sst+nzl/hld+prot	68
40.1755.00	S3 lan.-vnt.grp 1700mm z.pl+nzl/hld+prot	68
40.1755.50	S3 lan.-vnt.grp 1700mm z.pl+1/8 nzl/hld+prot	68
40.1765.00	S3 lan.-vnt.grip 1700mm sst+nzl/hld+prot	68
40.2055.00	S3 lan.-vnt.grp 2000mm z.pl+nzl/hld+prot	68
40.2055.50	S3 lan.-vnt.grp 2000mm z.pl+1/8 nzl/hld+prot	68
40.2065.00	S3 lan.-vnt.grip 2000mm sst+nzl/hld+prot	68
40.2150.00	R5 lan.-rnd grip 500mm z.pl+nzl/hld+prot	70
40.2170.00	R5 lan.-rnd grip 700mm z.pl+nzl/hld+prot	70
40.2190.00	R5 lan.-rnd grip 900mm z.pl+nzl/hld+prot	70
40.2220.00	R5 lan.-rnd grp 1200mm z.pl+nzl/hld+prot	70
40.2525.00	Extn.S7k 250mm,sst.st/ht-AR3 ex. A M22-1/4Bsp M	243
40.2525.40	Extn.S7k AR3 ex.A M22-1/4BspM,250mm,sst,bent 40°	242
40.2550.00	Ext. 450mm straight Sst-AR3 A M22-1/4Bsp M	250
40.2550.40	Extn.S3-AR A M22,450mm,sstl,bent 40° 1/4 Bsp M	251
40.2590.00	Extn.S3-AR3 es. A M22-900mm,sstl,str.- 1/4 Bsp M	250
40.2605.00	Extn.S3-AR3 es. A M22-1050mm,sstl,str.- 1/4 Bsp M	250
40.4500.00	S7 lan.-rect.grp 500mm z.pl+nzl/hld+prot	156

Index

40.4700.00	S7 lan.-rect.grp 700mm z.pl+nzl/hld+prot	156
40.4900.00	S7 lan.-rect.grp 900mm z.pl+nzl/hld+prot	156
40.5176.50	Extn.z.pl,u/bdy,90°,700mm+nzl/hold+prot	122
40.5191.00	Extn.z.pl.,u/bdy,90°,900mm+nzl/hold.	175
40.5500.05	R5 lan.Npt-rnd grip 500mm z.pl+nzl/hld+pr	70
40.5700.05	R5 lan.Npt-rnd grip 700mm z.pl+nzl/hld+pr	70
40.5705.00	R5 lan.-rnd grip 700mm sst+nzl/hold+prot	70
40.5705.50	R5 700mm sst bent lan+ad.1/8	70
40.5900.05	R5 lan.Npt-rnd grip 900/420 mm z.pl+nzl/hld+pr	70
40.5905.00	R5 lan.-rnd grip 900mm sst+nzl/hold+prot	70
40.5905.50	R5 lan.-rnd grip 900mm sst+nzl/ho.1/8+pr.	70
40.6205.00	ML lan.-rnd grp 1200mm sst+nzl/hold+prot	70
40.6209.50	R5 1200mm sst bent lan+ad.1/8	70
40.6500.00	ML lan.-rnd grp 1500mm z.pl+nzl/hld+prot	72
40.6505.00	ML lan.-rnd grp 1500mm sst+nzl/hold+prot	70
40.6700.00	ML lan.-rnd grp 1700mm z.pl+nzl/hld+prot	72
40.6705.00	ML lan.-rnd grp 1700mm sst+nzl/hld+prot	70
40.7000.00	ML lan.-rnd grp 2000mm z.pl+nzl/hld+prot	72
40.7005.00	ML lan.-rnd grp 2000mm sst+nzl/hold+prot	70
41.0000.00	LD60sst. Ai303 - front section-M24	259
41.0050.00	Front.extn.LD9sst 700mm 1/4sst+nzl/hold.	257
41.0255.00	Extn.-LDM11- AR16 A M22-555mm coax,sst	197
41.0275.00	Extn.-LDM11- AR16 A M22 755mm coax,sst	197
41.0295.00	LDM11 doubl.lan.900mm coax.,sst	193
41.0315.00	LDM11 doubl.lan.1100mm coax.,sst	193
41.0330.00	LD5 PFL dbl.lan.850mm 1/4z.pl,vert.valv.	72
41.0340.00	LD5 R5 dbl.lan.1050mm 1/8z.pl,vert.valv.	72
41.0600.00	LD7/3+S3 dbl.lan.1070mm 1/8sst+nzl/hold	74
41.0630.00	LD7/3+S3 dbl.lan.890mm 1/4z.pl+nzl/hold	74
41.0672.00	LD7+R5 doubl.lan.1050mm 1/4sst-1/8sst	75
41.0674.00	LD7+R5 doubl.lan.850mm 1/4sst-1/8sst	75
41.0682.00	LD7+R5 doubl.lan.1050mm 1/4z.pl-1/8sst	75
41.0684.00	LD7+R5 doubl.lan.850mm 1/4z.pl-1/8sst	75
41.0685.00	Extn.LD7 AR5 A M22 500mm 1/8sst+nzl/hold	74
41.0800.00	LD9+S3 doubl.lan.1090mm 1/4z.pl+nzl/hold	76
41.0850.00	LD9+S3 doubl.lan.1090mm 1/8sst+nzl/hold	77
41.0880.00	LD9+S3 dbl.lan.1090mm 1/4z.pl,vert.valv	78
41.0900.00	LD9+S3 doubl.lan.1090mm 1/4sst+nzl/hold	76
41.0911.00	Extn.LD9 AR5 A M22 700mm 1/8sst+nzl/hold	77
41.0921.00	Extn.LD9 AR5 A 700mm 1/4sst+nzl/hold	76
41.1028.00	Extn.+PL4 700mm z.pl,bnt,AR5 A+TR1-1/4	79
41.1140.12	Extn.LF 220 AR3 A M22 hex+TS3 1,2	79
41.2050.00	Extn.+PL4 500mm z.pl.AR4 A hex+TR1-1/4	79
41.2051.00	Extn.+PL4 500mm z.pl,bnt,AR5 A+TR1-1/4	79
41.2068.11	PL4 500mm+HL250 1,1+AR4 qk.cpl. A M22	80
50.0000.00	B18 Gear box 11-18 HP r.2,176:1	80
50.0000.25	B18 Gear box 11-18 HP r.2,176:1	80
50.0040.00	B18 Gear box 11-18 HP r.2,176:1	80
50.0050.00	B18H Gear box 11-18 HP r.2,176:1	191
50.0060.00	B24 Gear box 18-24 HP r.2,176:1	288
50.0062.00	B24 Gear box 18-24 HP r.2,176:1	288
50.0071.00	B31 Gear box 24-31 Hp-r.2,176:1	288
50.0071.30	B31 Gear box 24-31 Hp-r.2,176:1-30mm	288
50.0100.00	B10 Gear box 7-10 HP r.2,176:1	80
50.0600.00	B5 Gear box 6,5 HP r.2,3:1	82
52.0000.00	Plunger pump 1,0 l/min -20 bar Phase 1	147
52.0000.02	Plunger pump 1,0 l/min -20 bar Phase 2	147
60.0008.60	Pulsar R unload. 3/8F Bsp-31MPa+knob	306
60.0008.65	Pulsar R unload. 3/8F Npt-31MPa+knob	306
60.0010.00	Pulsar R 18MPa-unld.3/8F Bsp+m/sw+knob	307
60.0010.60	Pulsar R unld.3/8F Bsp+m/sw-31MPa+knob	307
60.0010.65	Pulsar R unld.3/8F Npt+m/sw+knob	307
60.0016.60	Pulsar R 31MPa-unld.3/8F Bsp+1/4 prt-knob	306
60.0018.60	Pulsar R unld.3/8F Bsp+1/4 prt-31MPa	305
60.0020.60	Pulsar R- unload. 3/8F Bsp-31MPa	305
60.0020.65	Pulsar R unload. 3/8F Npt -31MPa	305
60.0020.70	Pulsar R unload. 3/8F Bsp-stt.cv.31MPa	305

Index

60.0130.00	Pulsar 4 unload. 3/8F Bsp-18MPa	268
60.0130.05	Pulsar 4 unload. 3/8F Npt-15MPa	268
60.0130.60	Pulsar 4 unload. 3/8F Bsp-31MPa	268
60.0130.65	Pulsar 4 unload. 3/8F Npt -31MPa	268
60.0140.00	Pulsar 4 unload. 3/8F Bsp-18MPa+knob	267
60.0140.05	Pulsar 4 unload. 3/8F Npt-18MPa+knob	267
60.0140.60	Pulsar 4 unload. 3/8F Bsp-31MPa+knob	267
60.0140.65	Pulsar 4 unload. 3/8F Npt-31MPa+knob	267
60.0158.60	Pulsar 4 unload. 3/8F Bsp+micr/sw-31MPa	291
60.0158.65	Pulsar 4 unload. 3/8F Npt+micr/sw-31MPa	291
60.0160.60	Pulsar 4 unld.3/8F Bsp+m/sw-31MPa+knob	292
60.0160.65	Pulsar 4 unld.3/8F Npt+m/sw+knob	292
60.0220.00	VRP200 safety valv. 3/8F Bsp-120bar	83
60.0220.05	VRP200 safety valv. 3/8F Npt-120bar	83
60.0220.60	VRP200 safety valv. 3/8F Bsp-250bar	83
60.0220.65	VRP200 safety valv. 3/8F Npt-250bar	83
60.0300.00	VB130 unload. 3/8MM Bsp, byp:3/8F	84
60.0300.05	VB 130 unload. 3/8M Npt, byp:3/8F	84
60.0300.50	VB130-8MPa valve 3/8Bsp M z.pl. spring	84
60.0300.55	VB130-8MPa valve 3/8 Npt M z.pl. spring	84
60.0320.21	VB130 valv. 3/8Bsp MM +2,1mm adjust.inj.	84
60.0321.18	VB 130 unld.3/8M Bsp,bp:3/8F+fix.inj,1,8	84
60.0380.25	VB135 unload. X:0 Y:62	85
60.0423.00	VB85 R/160 unload. 1/2F Bsp	304
60.0423.60	VB85 R/280 unload. 1/2F Bsp	304
60.0425.00	VB80A/200 Unloader 1/2 Bsp - Atex-o-r.Ni70	262
60.0425.08	VB80A/200 Unloader 1/2 Bsp Epdm- Atex	262
60.0425.33	VB80A/200 Unloader 1/2 Bsp Epdm +kalrez Atex	262
60.0430.00	VB80/400 unload. 1/2F Bsp Ai303	86
60.0430.15	VB80/150 unload. 1/2F Bsp Ai303	86
60.0430.40	VB80/280 unload. 1/2F Bsp Ai303	86
60.0430.50	VB80/400 unload. 1/2F Npt Ai303	86
60.0448.15	VB80A/150 unl. 1/2Bsp Aisi 303 white sp.- Atex	86
60.0448.28	VB80A/280 unl. 1/2Bsp Aisi 303 blue spring - Atex	86
60.0450.00	VB80/150 unload. 1/2F Bsp Ai316	87
60.0450.05	VB80/150 unload. 1/2F Npt Ai316	87
60.0450.60	VB80/280 unload. 1/2F Bsp Ai316	87
60.0455.15	VB80/150 unload. 1/2F Bsp Ai303 +vit.O-R	86
60.0455.60	VB80/280 unload. 1/2F Bsp Ai303 +vit.O-R	86
60.0455.80	VB80/400 unload. 1/2F Bsp Ai303 +vit.O-R	86
60.0458.15	VB 80A/150 unl. 1/2Bsp Ai316 white spring - Atex	87
60.0458.28	VB 80A/280 unl. 1/2Bsp Ai316 blue spring - Atex	87
60.0470.60	VS100-sst. Ai316safety valv. 1/4F Bsp -2 inl.ports	216
60.0485.00	VB85/160 unload. 1/2F Bsp	269
60.0485.05	VB85/180 unload. 1/2F Npt F	269
60.0485.60	VB85/310 unload. 1/2F Bsp	269
60.0485.65	VB85/310 unload. 1/2F Npt	269
60.0490.00	VB85/150 unload. 1/2F Bsp with knob	271
60.0490.05	VB85/150 unload. 1/2F Npt with knob	271
60.0490.60	VB85/280 unload. 1/2F Bsp with knob	271
60.0490.65	VB85/280 unload. 1/2F Npt with knob	271
60.0500.00	VS 310 safety valv. 3/8F Bsp -1 inl.port	296
60.0515.00	VS220 safety valv. 3/8F Bsp -1 inl.port	88
60.0525.00	VS220 safety valv. 3/8F Bsp -2 inl.ports	88
60.0540.00	VS170 safety valv. 3/8F Bsp -1 inl.port	88
60.0542.00	VRP280 Pressure Regul. Valve,3/8 Bsp F	173
60.0542.50	VRP280 Press.Regul. Valve,3/8 Npt MF	173
60.0545.00	VRP 175 safety valv. 1"F Bsp	138
60.0550.00	VS80/400 safety valv. 1/2F Bsp Ai303	89
60.0550.50	VS80/400 safety valv. 1/2F Npt Ai303	89
60.0560.00	VS160 saf.valv.1/4M-1/8F Bsp/13mm h.barb	90
60.0560.30	VS30 saf.valv.1/4M-1/8F Bsp/13mm h.barb	90
60.0580.00	VS350 safety valv. 3/8F Bsp	91
60.0588.00	VS350 safety valv. 3/8F Bsp to block	91
60.0590.00	VS80/150 safety valv. 1/2F Bsp Ai316	92
60.0590.60	VS80/280 safety valv. 1/2F Bsp Ai316	92
60.0593.00	VS80/150 safety valv. 1/2F Bsp Ai303	137

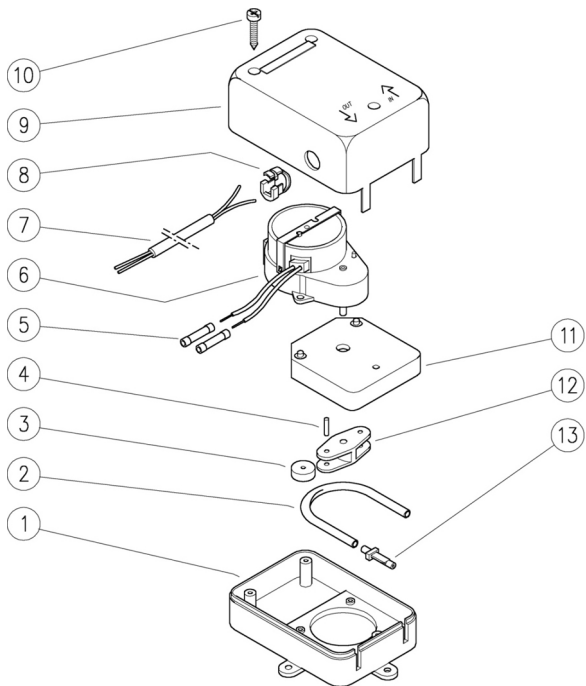
Index

60.0645.00	VS660 saf.valv.3/8F Bst to bloc	266
60.0650.00	VS660 safety valv. 3/8F Bspt byp:1/2F	266
60.0700.00	VB7 unload. 3/8F Bsp, inl.port:3/8M	93
60.0745.21	VB7 unload. 3/8M Bsp+fix.inject. 2,1	93
60.0750.21	VB7 unload. 3/8M Bsp+adj.inject. 2,1	93
60.0765.00	VB75 unload. 4,5/56	148
60.0768.10	VB75 valve x:4,5 y:63 O-rings viton	148
60.0770.00	VB75 unload. X:4,5 Y:64	148
60.0800.00	VB135 unload. X:5 Y:53	94
60.0820.00	VB135 unload. X:0 Y:56	94
60.0825.00	VB135 unload.X:0-Y:63-3/8x2	94
60.0850.00	VB35 unload. X:19 Y:62-73	134
60.0855.21	VB35 unld. X:19 Y:62-73 +adj.inject.2,1	134
60.0930.00	VB75 unload. X:18 Y:62-73	148
60.0960.00	VB285 unload. X:18 Y:63	95
60.1100.00	VB10 unload. 3/8F Bsp+knob	96
60.1100.50	VB10 unload. 3/8F Npt +knob	96
60.1150.00	VB10 unload. 3/8F Bsp +sst.pist.	104
60.1200.00	VB8 unload. 3/8F Bsp, port:3/8M	97
60.1240.00	VB8 unload. 3/8MF Bsp, byp.3/8F+knob	97
60.1280.00	VB8 unload. 3/8F Bsp, port:3/8M+micr/sw	98
60.1290.00	VB8 unload. 3/8F Bsp, port:3/8M+m/sw+knb	98
60.1300.10	VB5 unload. 3/8F Bsp, port:3/8M	310
60.1350.10	VB56 unload. X:19 Y:62-73 3/8F Bsp	297
60.1400.00	VB23 unload. 1/2F Bsp Ai303	129
60.1400.60	VB26 unload. 1/2F Bsp Ai316	131
60.1423.14	VS23-14 MPa-200°C safety valv. PED 1/2Bsp F	154
60.1423.15	VS23-15 MPa-200°C safety valv. PED 1/2Bsp F	154
60.1423.20	VS23-20 MPa-200°C safety valv. PED 1/2Bsp F	154
60.1423.22	VS23-22 MPa-200°C safety valv. PED 1/2Bsp F	154
60.1423.25	VS23-25 MPa-200°C safety valv. PED 1/2Bsp F	154
60.1423.28	VS23-28 MPa-200°C safety valv. PED 1/2Bsp F	154
60.1450.00	VB43 unload. 1/2F Bsp Ai303	130
60.1470.00	VB53 unload. 1/2F Bsp Ai303	130
60.1540.00	VS26 Ai316 safety valv. 1/2F Bsp	224
60.1550.00	VS140 safety valv. 3/8M Bsp	99
60.1560.00	VS240 safety valv. 3/8M Bsp	99
60.1570.00	VS140 safety valv. 3/8M Npt	99
60.1580.00	VS240 safety valv. 3/8M Npt	99
60.1600.00	VB280 unload. 3/8MF Bsp byp:1/2F+knob	100
60.1700.00	VB350 unload. 3/8MF Bsp byp:1/2F+knob	100
60.1700.50	VB350 unload. 3/8MF Npt byp:1/2F+knob	100
60.1730.00	VB350 unld.3/8F Bsp port:3/8M+m/sw+knob	113
60.1750.00	VB350 S unload. 3/8MF Bsp byp:1/2F	101
60.1800.00	VB350 S unld.3/8MF Bsp byp:1/2F max/min	101
60.1850.00	VB33 unload. 1/2F Bsp brass	273
60.1850.50	VB33 unload. 1/2F Npt brass	273
60.1860.00	VB36-350 unload. 1/2F Bsp brass	273
60.1860.50	VB36-350 unload. 1/2F Npt brass	273
60.1900.00	VB3 unload. 3/8M Bspt-3/8M Bsp-3/8F Bsp	131
60.1900.05	VB3 unload. 3/8M Npt byp:3/8F	131
60.2020.00	VNR-I check valv. sst. 3/8FF Bsp	105
60.2030.00	VNR-I check valv. sst. 1/4FF Bsp	105
60.2040.00	VNR-O check valv. brass 1/4FF Bsp	105
60.2050.00	VNR-O check valv. brass 3/8FF Bsp	105
60.2065.00	VNR-O check valv. brass 1/2FF Bsp	106
60.2070.00	VNR-I check valv. sst. 1/2FF Bsp	106
60.2070.50	VNR-I check valv. sst. 1/2FF Npt	106
60.2075.00	VNR-O check valv. brass 3/4FF Bsp	135
60.2080.00	VNR-I check valv. sst. 3/4FF Bsp	135
60.2100.00	VNR-OHD check valv. brass 1/4FF Bsp	298
60.2120.00	VNR-OHD check valv. brass 3/8FF Bsp	298
60.2140.00	VNR-OHD check valv. brass 1/2FF Bsp	300
60.2200.00	VB9 unload. 3/8F Bsp	107
60.2250.00	VB9 unload. 3/8F Bsp +knob	107
60.2350.00	VB9 unload. 3/8F Bsp +el.sw.+knob	108
60.2365.00	VB9 unload. 3/8F+2x1/4 Bsp F+el.sw.+knob	108

Index

60.2400.00	Pulsar Zero Unload.-flow activated 3/8Bsp F+knob	212
60.2400.50	Pulsar Zero Unload.-flow activated 3/8Npt F+knob	212
60.2450.00	Puls.Zero valv.byp.3/8 F Bsp + PR5	213
60.2450.50	Puls.Zero valv.byp.3/8 F Npt + PR5	213
60.2500.00	VB20-160 Zero Unload.-flow activated 3/8Bsp F	263
60.2550.00	VB20-160 Zero valv.byp.3/8 F Bsp + PR5	264
60.2600.00	VB60/600 Zero Unload.-flow activated 1/2Bsp F	239
60.2600.25	VB60/250 Zero Unload.-flow activated 1/2Bsp F	239
60.2600.40	VB60/400 Zero Unload.-flow activated 1/2Bsp F	239
60.2650.00	VB60/600 Zero valv.byp.1/2 F Bsp + PR5	240
60.2800.00	VB80/280 Zero Unload.-flow activated 1/2Bsp F+knob	254
60.2850.00	VB80/280 Zero valv.byp.1/2 F Bsp + PR5	252
60.4020.00	VB450/200 unload. 1"1/4 Bsp F	167
60.4030.00	VB450/300 unload. 1"1/4 Bsp F	167
60.4120.00	VS450/200 safety valve 1"1/4F Bsp F	169
60.4120.50	VS450/200 unload. 1"1/4 Npt F	169
60.4130.00	VS450/300 unload. 1"1/4F Bsp F	169
60.4130.50	VS450/300 unload. 1"1/4 Npt F	169
60.4220.00	VRP 450/200 reg.valv 1"1/4 Bsp F	167
60.4230.00	VRP 450/300 reg.valv.1"1/4 Bsp F	167
60.4300.00	VB200/280 unload. 1" F Bsp	232
60.4450.28	VB80/280 unload. 1/2F Bsp- duplex sst +vit.Or	316
60.4450.40	VB80/400 unload. 1/2F Bsp -duplex sst +vit.Or	316
60.4590.28	VS80/280 safety valv. 1/2F Bsp duplex sst.	317
60.4590.40	VS80/400 safety valv. 1/2F Bsp duplex sst.	317
60.4800.00	VB140/160 unload. 3/4" F Bsp	313
60.4800.50	VB140/160 unload. 3/4" F Npt	313
60.5000.00	VB200/150 unload. 1" F Npt	109
60.5000.15	VB200/150 unload. 1" F Bsp	109
60.5020.00	VB200/150 unload. 1" F Npt +handwheel	109
60.5020.15	VB200/150 unloader 1" F Bsp +hand wheel	109
60.5025.00	VB200/70 unldr valve, 1" Npt	109
60.5025.15	VB200/70 unldr valve, 1" Bsp FF	109
60.5100.00	VS200/180 unload. 3/4F Npt byp:1/2F	110
60.5100.15	VS200/180 unload. 3/4F Bsp byp:1/2F	110
60.5115.00	VS200/180 Unload. 3/4F-1/2F Bsp to block	110
60.5200.00	VS500 safety valv. 1/2F Bsp byp:3/4F	111
60.5212.00	VS500 saf.valv.1/2F Bsp byp:3/4F to bloc	111
60.5300.00	VRPP 170 regul.valv. 1" F Bsp -air contr.	139
60.5330.00	VRPP 200-280 regul.valv. 1" F Bsp -air contr.	229
60.5350.00	VRPP 26 air-contr.valv. Ai316 1/2F Bsp	161
60.5360.00	VRPP 450-200 regul.valv. 1"1/4F Bsp -air contr.	261
60.5400.00	VRP 600 reg.val. Ai303 1/2F Bsp	140
60.5450.00	VRPP 600 regul.valv. 1/2" F Bsp-air contr.	141
60.8000.00	VB16 unload. 1/2F Bsp	112

12.5010.00 DA24-Descaling Pump 24V



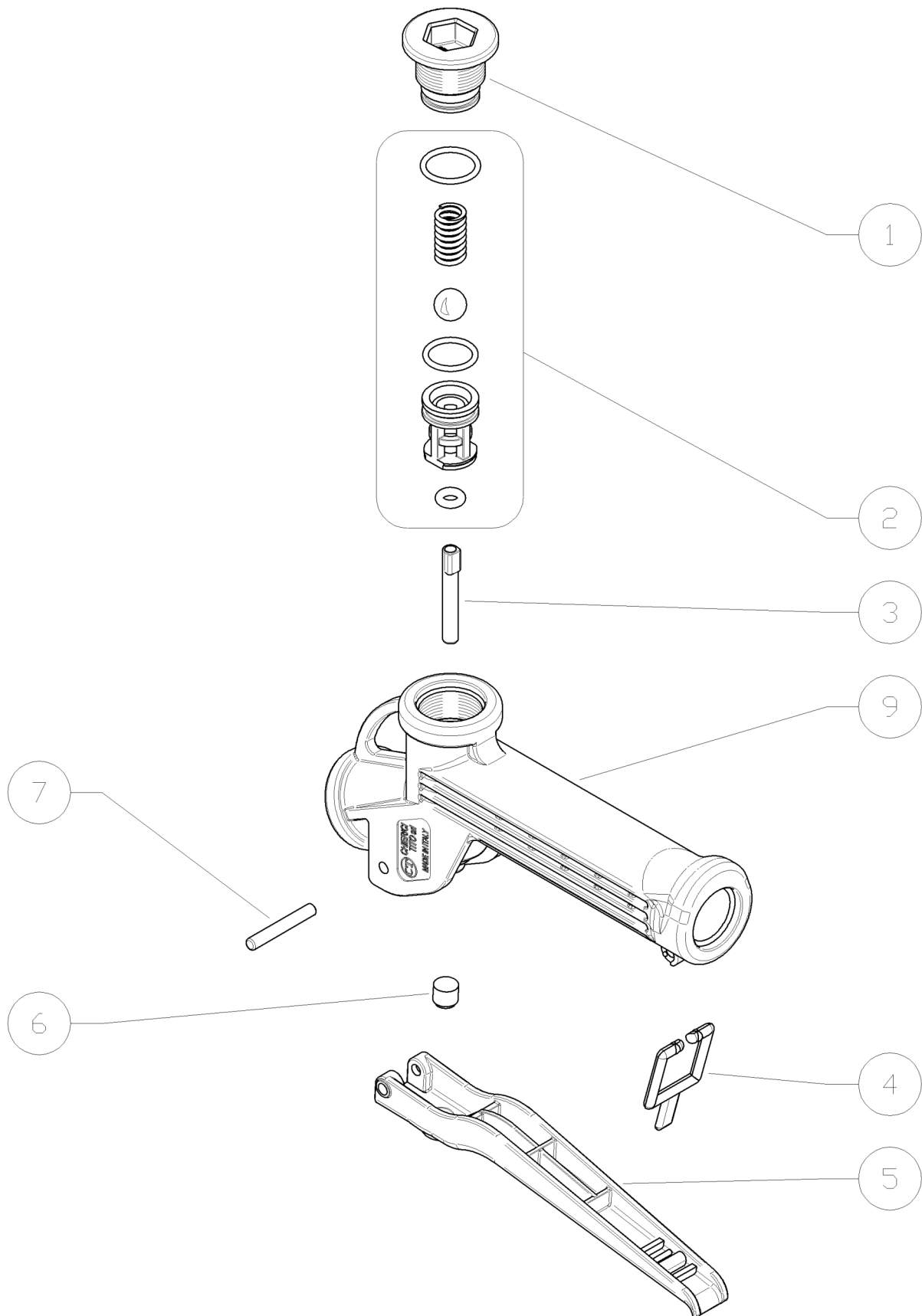
12.5011.00 DA240-Descaling pump 230V

Pos.	P/N	Description	Q.ty	K1	K2	K3	K4	
1	21.2003.84	Lower Protection	1					1
2	21.2006.85	Hose	1					5
3	21.2008.84	Wheel	2					5
4	15.1015.12	Parallel pin, 2,5x12 mm Sst.	2					10
5	12.5017.00	Terminal	2					10
6	13.0821.24	Gearmotor, 24V AC (1)	1					1
6	13.0822.00	Gearmotor, 230V AC (2)	1					1
7	21.2007.21	Cable, 2x0,75 L.1100 mm	1					1
8	21.2001.84	Cable gland	1					5
9	21.2004.84	Upper protection	1					1
10	16.3077.00	S/tapping screw, DIN7981 3,5x18 mm	3					10
11	21.2002.84	Motor bracket	1					3
12	21.2009.84	Wheel bracket	1					3
13	21.2005.84	Hose barb	2					5

(1) 12.5010.00 (2) 12.5011.00

15.0003.10 CP12-06 sp. gun, yellow trigger
15.0003.11 CP12-02 sp.gun red trigger

15.0003.12 CP12-00 sp. gun, blue trigger
15.0013.12 CP12-04 sp. gun, grey trigger

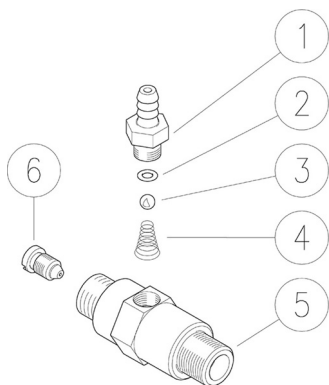


Pos.	P/N	Description	Q.ty	K1	K2	K3	K4	
1	13.0003.24	Plug -Universal, PP black	1					5
1	13.0003.39	Plug -Universal gun, Pa6 (1)	1					5
2	99.0003.04	Spares kit,Universal gun, blue trigger (2)	1					1
2	99.0003.16	Spares kit -Universal gun, yellow trigger (1)	1					1
2	99.0003.03	Spares kit,Universal gun, red trigger (3)	1					1
2	99.0003.13	Spares kit,Universal gun, grey trigger (4)	1					1
3	12.0050.08	Parallel pin, 5x36 mm Sst.	1					5
3	13.0003.55	Parallel pin, 5x36 mm PP (3)	1					5
3	12.0050.18	Parallel pin, 5x36 mm Sst.316 (4)	1					5

(1) 15.0003.10 (2) 15.0003.12 (3) 15.0003.11 (4) 15.0013.12

Pos.	P/N	Description	Q.ty	K1	K2	K3	K4	
4	13.0003.30	Red safety latch, Universal gun	1					10
5	13.0003.32	Blue trigger -Universal gun (2)	1					10
5	13.0003.31	Red trigger -Universal gun (3)	1					3
5	13.0003.35	Yellow trigger -Universal gun (1)	1					3
5	13.0003.36	Gray trigger -Universal gun (4)	1					3
6	13.0003.28	Stop pin, 8x7 mm	1					5
7	12.0050.21	Parallel pin, 4x28 mm	1					5
9	13.0003.11	Casing -Universal gun, PP	1					10
9	13.0003.27	Casing -Universal gun, Pa6 (1)	1					10

- 21.0000.15 Inject.,fix.,3/8MM Bsp 1,5mm nzl
- 21.0000.18 Inject.,fix.,3/8MM Bsp 1,8mm nzl
- 21.0000.21 Inject.,fix.,3/8MM Bsp 2,1mm nzl



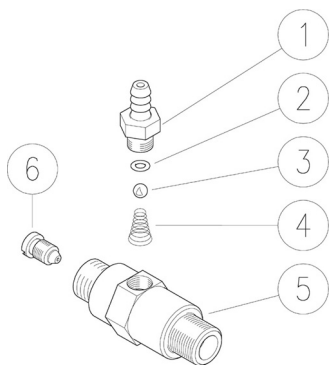
- 21.0000.23 Inject.,fix.,3/8MM Bsp 2,3mm nzl
- 21.0000.25 Inject.,fix.,3/8MM Bsp 2,5mm nzl

Pos.	P/N	Description	Q.ty	K1	K2	K3	K4	
1	21.0003.31	Hose barb, 8 - M12x1 mm brass	1					10
2	10.3049.00	O-ring, 1,78x5,28 mm Vi 70	1	•				10
3	14.7420.01	Ball, 7/32" Sst. Aisi 316	1	•				10
4	21.0160.51	Tapered spring, Sst. -inject.	1	•				10
5	21.0159.31	Inject.housing, 3/8MM Bsp brass	1					5
6	21.0007.51	Nozzle, M8x1 - 1,5 mm Sst.	1					10
6	21.0002.51	Nozzle, M8x1 - 1,8 mm Sst. (1)	1					10
6	21.0004.51	Nozzle, M8x1 - 2,1 mm Sst. (2)	1					10
6	21.0157.51	Nozzle, M8x1 - 2,3 mm Sst. (3)	1					10
6	21.0009.51	Nozzle, M8x1 - 2,5 mm Sst. (4)	1					10

Kit	P/N	Description	
K1	21.0010.24	Spares kit -fix.inject. 3x10 pcs.	1

(1) 21.0000.18 (2) 21.0000.21 (3) 21.0000.23 (4) 21.0000.25

- 21.0018.12 Inject.,fix.,sst,3/8MM Bsp+1,2mm nzl
- 21.0018.15 Inject.,fix.,sst,3/8MM Bsp+1,5mm nzl
- 21.0018.18 Inject.,fix.,sst,3/8MM Bsp+1,8mm nzl



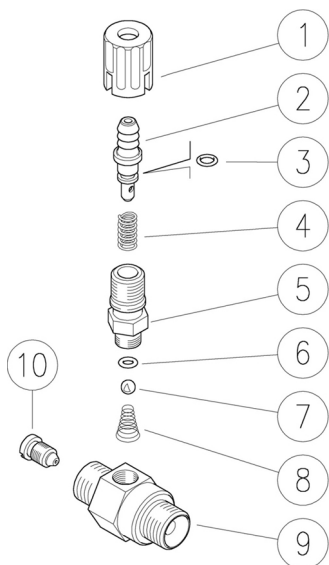
- 21.0018.21 Inject.,fix.,sst,3/8MM Bsp+2,1mm nzl
- 21.0018.68 Inject.,fix.,sst,3/8MM Npt+1,8mm nzl
- 21.0018.71 Inject.,fix.,sst,3/8MM Npt+2,1mm nzl

Pos.	P/N	Description	Q.ty	K1	K2	K3	K4	
1	21.0003.51	Hose barb, 8 - M12x1 mm Sst.	1					5
2	10.3049.05	O-ring, 1,78x5,28 mm PTFE	1	•				10
3	14.7421.01	Ball, 1/4" Sst. Aisi 316	1	•				10
4	21.0160.51	Tapered spring, Sst. -inject.	1	•				10
5	21.0159.51	Inject.housing, 3/8MM Bsp Sst. (1)	1					2
5	21.0169.51	Inject.housing, 3/8MM Npt Sst. (2)	1					2
6	21.0006.51	Nozzle, M8x1 - 1,2 mm Sst. (3)	1					10
6	21.0007.51	Nozzle, M8x1 - 1,5 mm Sst.	1					10
6	21.0002.51	Nozzle, M8x1 - 1,8 mm Sst.	1					10
6	21.0004.51	Nozzle, M8x1 - 2,1 mm Sst.	1					10
6	21.0157.51	Nozzle, M8x1 - 2,3 mm Sst.	1					10

Kit	P/N	Description	
K1	21.0013.24	Spares kit -fix.inject.+OR tefl.3x1 pcs.	1

(1) 21.0018.21 (2) 21.0018.71 (3) 21.0018.12

- 21.0119.15 Inject.,adj.,sst,3/8MM Bsp+1,5mm nzl
- 21.0119.18 Inject.,adj.,sst,3/8MM Bsp+1,8mm nzl
- 21.0119.21 Inject.,adj.,sst,3/8MM Bsp+2,1mm nzl



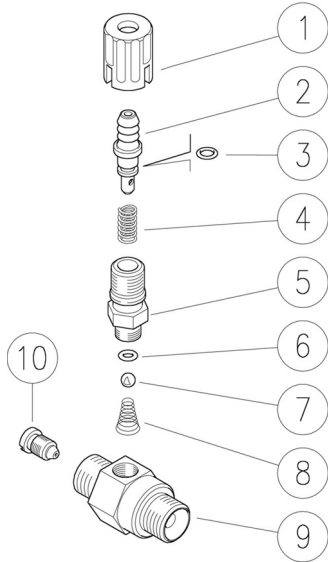
- 21.0120.18 Inject.,adj.,sst,3/8MM Npt+1,8mm nzl
- 21.0120.21 Inject.,adj.,sst,3/8MM Npt+2,1mm nzl
- 21.0120.23 Inject.,adj.,sst,3/8MM Npt+2,3mm nzl

Pos.	P/N	Description	Q.ty	K1	K2	K3	K4	
1	21.0171.84	Inject.knob, 1/4F Bsp black	1					10
2	21.0155.90	Hose barb, d.8 mm sst.+o-ring	1					3
3	10.3043.01	O-ring, 1,78x4,48 mm Vi 70	1	•				10
4	21.0158.51	Spring, 0,8x7x15 mm Sst.	1					10
5	21.0173.51	Coupling, M12x1-1/4M Bsp Sst.	1					5
6	10.3049.05	O-ring, 1,78x5,28 mm PTFE	1	•				10
7	14.7421.01	Ball, 1/4" Sst. Aisi 316	1	•				10
8	21.0160.51	Tapered spring, Sst. -inject.	1	•				10
9	21.0159.51	Inject.housing, 3/8MM Bsp Sst. (1)	1					2
9	21.0169.51	Inject.housing, 3/8MM Npt Sst. (2)	1					2
10	21.0007.51	Nozzle, M8x1 - 1,5 mm Sst.	1					10
10	21.0002.51	Nozzle, M8x1 - 1,8 mm Sst.	1					10
10	21.0004.51	Nozzle, M8x1 - 2,1 mm Sst.	1					10
10	21.0157.51	Nozzle, M8x1 - 2,3 mm Sst.	1					10

Kit	P/N	Description	
K1	21.0235.24	Spares kit -adj.inject.+tefl.O-R 4x1pcs	1

(1) 21.0119.21 (2) 21.0120.21

21.0150.15 Injector, adjustable 3/8MM Bsp 1,5mm nzl
21.0150.18 Injector, adjustable, 3/8MM Bsp 1,8mm nzl

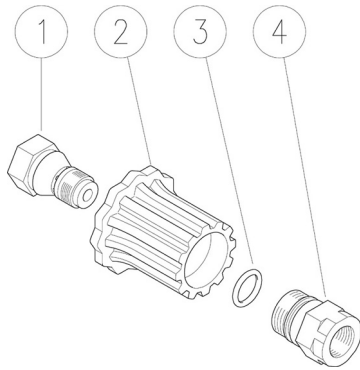


21.0150.21 Injector, adjustable 3/8MM Bsp 2,1mm nzl
21.0150.23 Injector, adjustable 3/8MM Bsp 2,3mm nzl

Pos.	P/N	Description	Q.ty	K1	K2	K3	K4	
1	21.0171.84	Inject.knob, 1/4F Bsp black	1					10
2	21.0155.99	Hose barb, d.8 mm brass+o-ring	1					3
3	10.3043.01	O-ring, 1,78x4,48 mm Vi 70	1	•				10
4	21.0158.51	Spring, 0,8x7x15 mm Sst.	1					10
5	21.0173.31	Coupling, M12x1-1/4M Bsp brass	1					10
6	10.3049.00	O-ring, 1,78x5,28 mm Vi 70	1	•				10
7	14.7420.01	Ball, 7/32" Sst. Aisi 316	1	•				10
8	21.0160.51	Tapered spring, Sst. -inject.	1	•				10
9	21.0159.31	Inject.housing, 3/8MM Bsp brass	1					5
10	21.0007.51	Nozzle, M8x1 - 1,5 mm Sst.	1					10
10	21.0002.51	Nozzle, M8x1 - 1,8 mm Sst. (1)	1					10
10	21.0004.51	Nozzle, M8x1 - 2,1 mm Sst. (2)	1					10
10	21.0157.51	Nozzle, M8x1 - 2,3 mm Sst. (3)	1					10

Kit	P/N	Description	Q.ty
K1	21.0152.24	Spares kit -adjust.inject. 4x1 pcs(7/32")	1
(1) 21.0150.18 (2) 21.0150.21 (3) 21.0150.23			

22.0000.00 TR1 nzl/hold.,adj. 1/4F Bsp-1/4F Npt
22.0000.05 TR1 nzl/hold.,adj. 1/4FF Npt

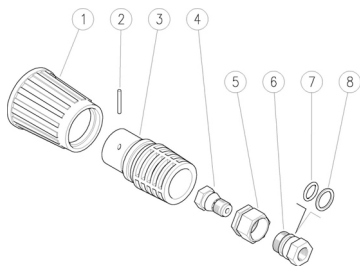


22.0000.15 TR1 nzl/hold.,adj. 1/4F Bsp-1/8F Npt

Pos.	P/N	Description	Q.ty	K1	K2	K3	K4	
1	22.0001.31	Nzl holder, 1/4F Npt-1/4M Bsp brass	1					5
1	22.0004.31	Nzl holder, 1/8F Npt-1/4M Bsp brass (1)	1					5
2	22.0008.22	Knob	1					10
3	10.3066.00	O-ring, 1,78x15,6 mm	1					10
4	22.0002.31	Coupling, M18x1 M-1/4F Bsp brass	1					5
4	22.0007.31	Coupling, M18x1 M-1/4F Npt brass (2)	1					5

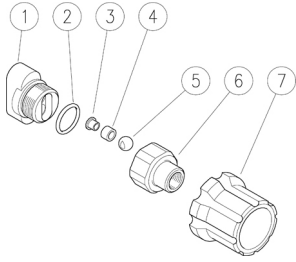
(1) 22.0000.15 (2) 22.0000.05

22.0100.00 TR4 adjust.nzl/hold. 1/4F Bsp-Npt+prot.



Pos.	P/N	Description	Q.ty	K1	K2	K3	K4	
1	41.0418.81	Nozzle protection -LD, TPEs black	1					10
2	15.1041.00	Parallel pin, 3x25 mm Sst.	1					10
3	22.0101.84	Grip	1					3
4	22.0104.31	Nzl holder, M14x1,5M-1/4F Npt brass	1					3
5	22.0102.31	Insert ring nut M20x1	1					3
6	10.3181.50	O-ring, 2,62x17,2 mm	1					25
7	10.4054.00	Back-up ring, 17,5x21,9x1,5 mm	1					10
8	22.0103.31	Coupling, M20x1M-1/4F Bsp brass	1					3

23.0000.00 TD1 nzl/hold.,dbl 1/4F Bsp-2x1/4F Npt
23.0000.50 TD1 nzl/hold.,dbl 1/4F Bsp-2x1/8F Npt



23.0015.00 TD1P nzl/hold,dbl 1/4F Bsp-2x Npt+prot
23.0015.50 TD1P nzl/hold,dbl 1/4F Bsp-2x Npt+prot

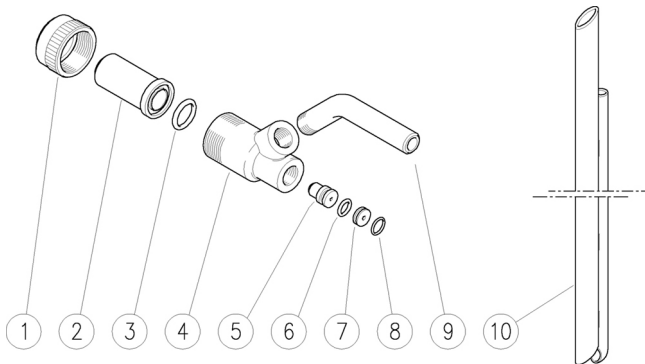
Pos.	P/N	Description	Q.ty	K1	K2	K3	K4	
1	23.0001.35	Nzl holder, M26x1,5M-1/4Npt FF	1					5
1	23.0016.35	Nzl holder, M26x1,5M-1/8Npt FF	1					1
2	10.3073.00	O-ring, 1,78x23,52 mm	1	•				10
3	23.0002.31	Seat guide, brass	2	•				10
4	30.0235.85	Seat, 5,9x9x6 mm PTFE	2	•				10
5	14.7461.00	Ball, 13/32" Sst.	1	•				10
6	23.0004.31	Coupling, M26x1,5-1/4 Bsp FF brass	1					5
7	23.0005.84	Nozzle protector (1,2)	1					10

Kit	P/N	Description	
K1	23.0010.24	Spares kit -dbl.nzl.hold.,4x10 pcs	1

(1) 23.0015.00 (2) 23.0015.50

25.0000.10 TS8-02 Sandblaster, widia
25.0000.12 TS8-03 Sandblaster, widia
25.0000.14 TS8-04 Sandblaster, widia
25.0000.15 TS8-045 Sandblaster, widia

25.0000.16 TS8-05 Sandblaster, widia
25.0000.18 TS8-075 Sandblaster, widia
25.0000.20 TS8-085 Sandblaster, widia

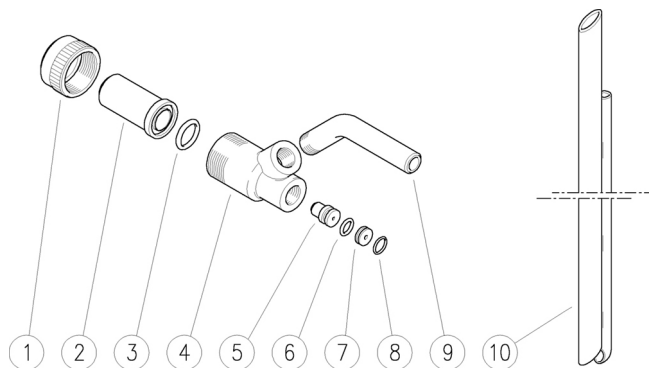


Pos.	P/N	Description	Q.ty	K1	K2	K3	K4	
1	25.0003.31	Hand nut M27x1,5 brass	1					5
2	25.0010.23	Conveyor nozzle, 6 mm sintered	1					1
3	10.3178.00	O-ring, 2,62x13,1 mm	1	•				10
4	25.0011.23	Sandblaster housing	1					1
5	25.0019.51	Nozzle, 02 d.10,5x15 mm Sst.	1					5
5	25.0007.51	Nozzle, 03 d.10,5x15 mm Sst. (1)	1					5
5	25.0008.51	Nozzle, 04 d.10,5x15 mm Sst. (2)	1					5
5	25.0009.51	Nozzle, 045 d.10,5x15 mm Sst. (3)	1					5
5	25.0014.51	Nozzle, 05 d.10,5x15 mm Sst. (4)	1					5
5	25.0015.51	Nozzle, 075 d.10,5x15 mm Sst. (5)	1					5
5	25.0016.51	Nozzle, 085 d.10,5x15 mm Sst. (6)	1					5
6	10.3052.00	O-ring, 1,78x6,75 mm	1	•				25
7	25.0085.31	Nozzle insert	1	•				5
8	10.3003.00	O-ring, 1x8 mm	1	•				10
9	25.0005.66	13 mm hose barb- 1/4M Bsp z.pl.	1					10
10	25.0013.21	Sand probe +13mm hose barb	1					5

Kit	P/N	Description	
K1	25.0021.24	Spares kit -sandblast. 4x10pcs.	1

(1) 25.0000.12 (2) 25.0000.14 (3) 25.0000.15 (4) 25.0000.16 (5) 25.0000.18
(6) 25.0000.20

25.0020.12 TS2-03 Sandblaster, brass-hard.steel
25.0020.14 TS2-04 Sandblaster, brass-hard.steel

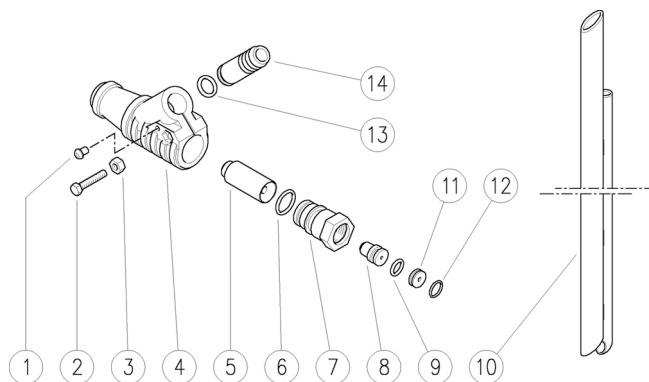


25.0020.15 TS2-045 Sandblaster, brass-hard.steel
25.0020.16 TS2-05 Sandblaster, brass-hard.steel

Pos.	P/N	Description	Q.ty	K1	K2	K3	K4	
1	25.0003.31	Hand nut M27x1,5 brass	1					5
2	25.0032.23	Conveyor nozzle, 4 mm	1					3
3	10.3178.00	O-ring, 2,62x13,1 mm	1	•				10
4	25.0030.23	Sandblaster housing -TS2	1					3
5	25.0007.51	Nozzle, 03 d.10,5x15 mm Sst. (1)	1					5
5	25.0008.51	Nozzle, 04 d.10,5x15 mm Sst. (2)	1					5
5	25.0009.51	Nozzle, 045 d.10,5x15 mm Sst. (3)	1					5
5	25.0014.51	Nozzle, 05 d.10,5x15 mm Sst. (4)	1					5
6	10.3052.00	O-ring, 1,78x6,75 mm	1	•				25
7	25.0085.31	Nozzle insert	1	•				5
8	10.3003.00	O-ring, 1x8 mm	1	•				10
9	25.0005.66	13 mm hose barb- 1/4M Bsp z.pl.	1					10
10	25.0013.21	Sand probe +13mm hose barb	1					5

Kit	P/N	Description	Q.ty
K1	25.0021.24	Spares kit -sandblast. 4x10pcs.	1
(1) 25.0020.12 (2) 25.0020.14 (3) 25.0020.15 (4) 25.0020.16			

25.0080.12 TS3-03 Sandblaster, plast.-zin.hard.steel

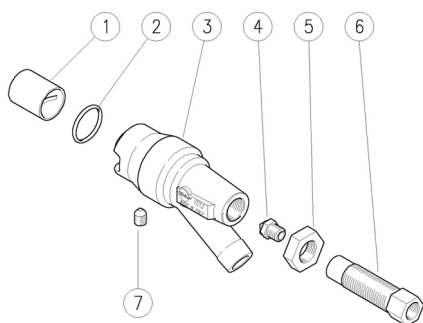


25.0080.14 TS3-04 Sandblaster- plast.

Pos.	P/N	Description	Q.ty	K1	K2	K3	K4	
1	15.2000.30	Stud, 03 white	1					10
1	15.2000.40	Stud, 04 dark yellow	1					10
2	16.1843.00	Screw, DIN7985 M4x20 mm z.pl.	1					10
3	11.4513.05	Hex. nut M4	1					10
4	25.0081.84	Casing -TS3	1					1
5	25.0083.61	Conveyor nozzle, 4,75 mm	1	•				5
6	10.3060.00	O-ring, 1,78x12,42 mm	1	•				10
7	25.0082.31	Nozzle holder -TS3	1					3
8	25.0007.51	Nozzle, 03 d.10,5x15 mm Sst.	1					5
8	25.0008.51	Nozzle, 04 d.10,5x15 mm Sst.	1					5
9	10.3052.00	O-ring, 1,78x6,75 mm	1	•				25
10	25.0013.21	Sand probe +13mm hose barb	1					5
11	25.0085.31	Nozzle insert	1	•				5
12	10.3003.00	O-ring, 1x8 mm	1	•				10
13	10.3057.00	O-ring, 1,78x9,25 mm	1	•				10
14	25.0084.31	13 mm hose barb -TS3	1					1

Kit	P/N	Description	Q.ty
K1	25.0090.24	Spares kit -TS3 Sandblaster	1

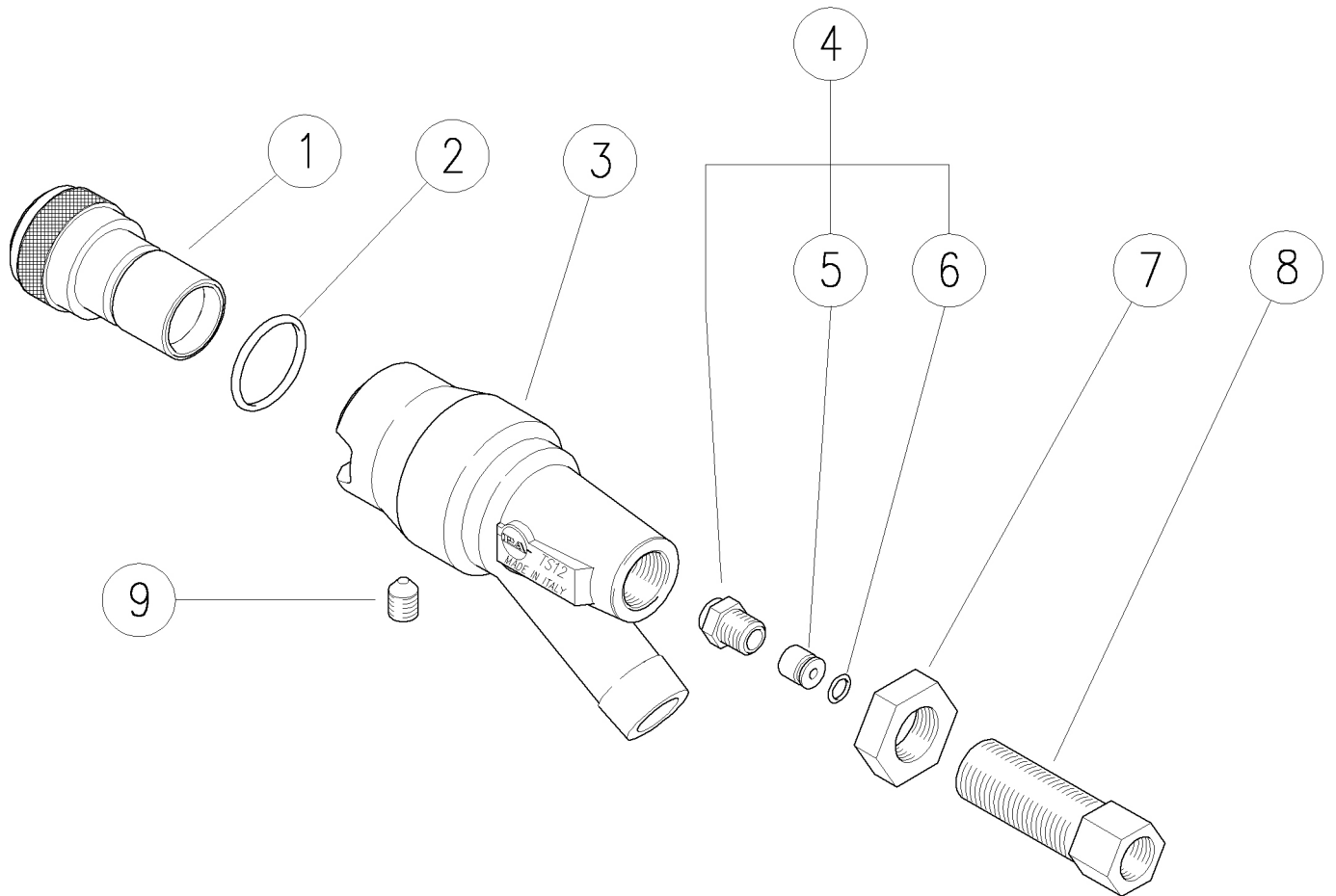
25.0450.00 TS12 Sandbl.500bar-flat jet



Pos.	P/N	Description	Q.ty	K1	K2	K3	K4	
1	25.0501.71	Sintered insert -TS12	1					2
2	10.3200.10	O-ring, 2,62x23,47 mm Vi 70	1					10
3	25.0451.62	Housing -TS12	1					1
4	16.1415.40	Sst nozzle 500bar 1/4M Npt -15.04 **	1					2
4	16.1415.50	Nzl 500bar 1/4M Npt+guid.vane15.05 **	1					2
4	16.1415.55	Nzl 500bar 1/4M Npt - 15.055 **	1					2
4	16.1415.80	Nzl 500bar 1/4M Npt+guid.vane15.08 **	1					2
4	16.1415.90	Nzl 500bar 1/4M Npt+guid.vane15.09 **	1					2
5	11.4850.00	Hex. nut, M18	1					5
6	25.0505.51	Regulator, 1/4F Bsp-1/4 F Npt Sst.	1					1
7	16.2221.00	Set screw, DIN914 M8x8 mm Sst.	1					10

** On request

25.0460.00 TS12RC Sandbl.500bar-solid stream

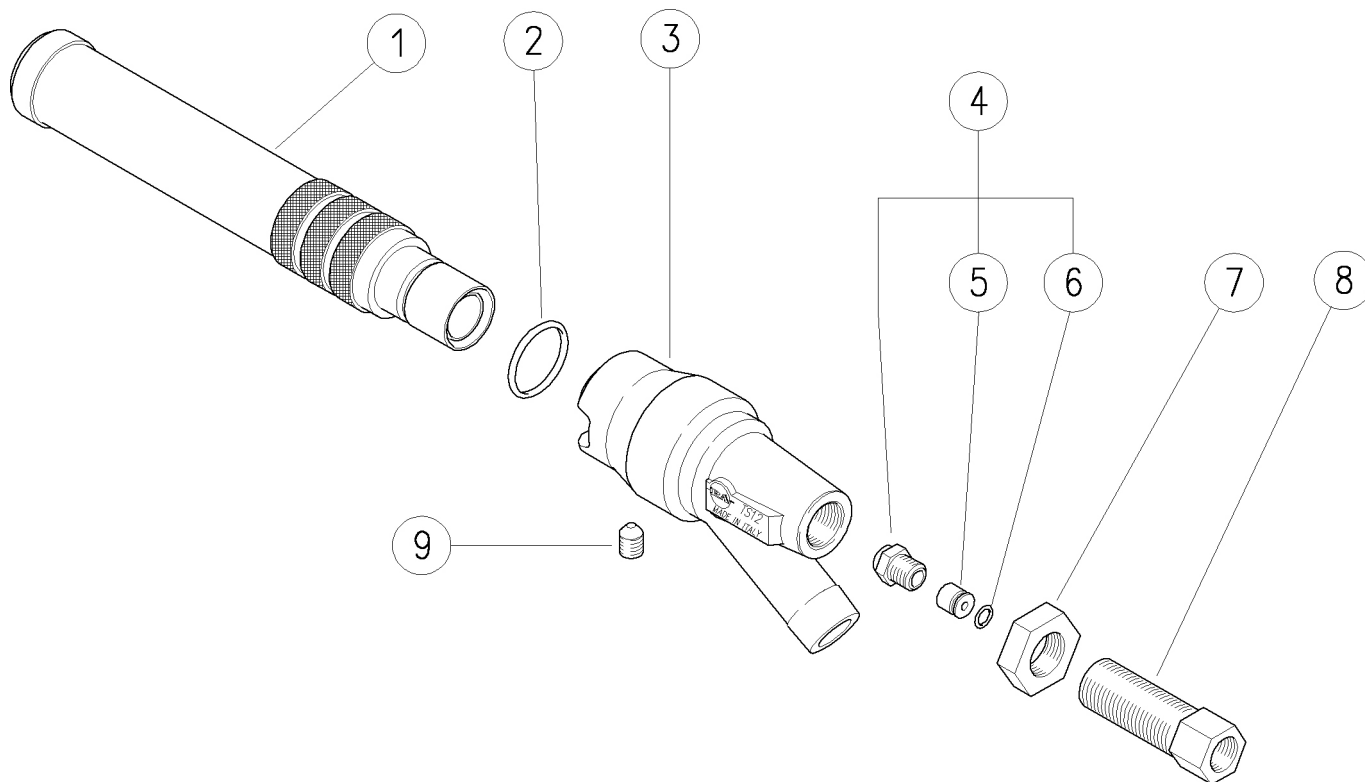


Pos.	P/N	Description	Q.ty	K1	K2	K3	K4	
1	25.0462.24	Conveyor nozzle	1					1
2	10.3200.10	O-ring, 2,62x23,47 mm Vi 70	1					10
3	25.0451.62	Housing -TS12	1					1
4	16.1401.40	Nzl 500bar 1/4M Npt+guid.vane00.04 **	1					2
4	16.1401.50	Nzl 500bar 1/4M Npt+guid.vane00.05 **	1					2
4	16.1401.55	Nzl 500bar 1/4M Npt+guid.vane00.055 **	1					2

Pos.	P/N	Description	Q.ty	K1	K2	K3	K4	
5	25.0506.51	Sst guid.vane **	1					3
6	10.3051.01	O-ring, 1,78x6,07 mm **	1					10
7	11.4850.00	Hex. nut, M18	1					5
8	25.0504.51	Regulator, 1/4F Bsp-1/4 F Npt Sst.	1					1
9	16.2221.00	Set screw, DIN914 M8x8 mm Sst.	1					10

** On request

25.0480.00 TS12RL Extend. Sandblast.-pencil stream

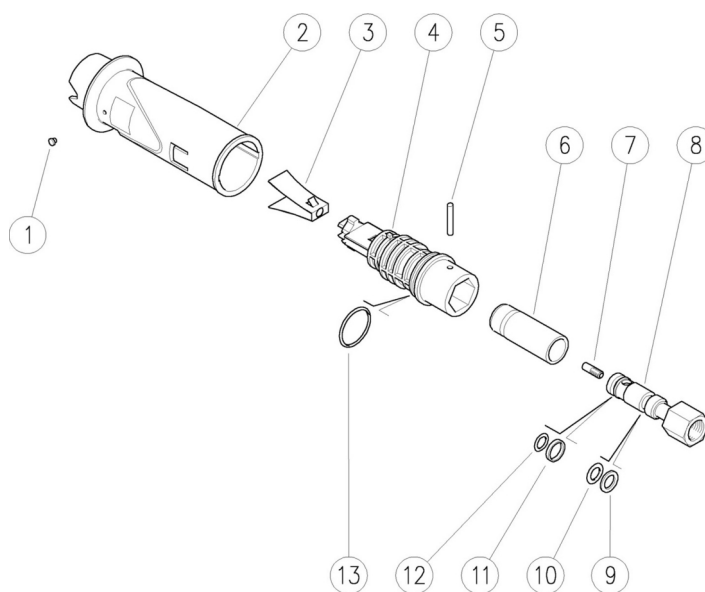



Pos.	P/N	Description	Q.ty	K1	K2	K3	K4		Pos.	P/N	Description	Q.ty	K1	K2	K3	K4	
1	25.0483.23	Conveyor nozzle	1					1	5	25.0506.51	Sst guid.vane **	1					3
2	10.3200.10	O-ring, 2,62x23,47 mm Vi 70	1					10	6	10.3051.01	O-ring, 1,78x6,07 mm **	1					10
3	25.0451.62	Housing -TS12	1					1	7	11.4850.00	Hex. nut, M18	1					5
4	16.1401.40	Nzl 500bar 1/4M Npt+guid.vane00.04 **	1					2	8	25.0504.51	Regulator, 1/4F Bsp-1/4 F Npt Sst.	1					1
4	16.1401.50	Nzl 500bar 1/4M Npt+guid.vane00.05 **	1					2	9	16.2221.00	Set screw, DIN914 M8x8 mm Sst.	1					10
4	16.1401.55	Nzl 500bar 1/4M Npt+guid.vane00.055 **	1					2									

** On request


25.0700.10 HL250-02 var.angle nzl+Hi/Lo set. Bsp
25.0700.11 HL250-025 var.angle nzl+Hi/Lo set. Bsp
25.0700.12 HL250-03 var.angle nzl+Hi/Lo set. Bsp
25.0700.13 HL250-035 var.angle nzl+Hi/Lo set. Bsp
25.0700.14 HL250-04 var.angle nzl+Hi/Lo set. Bsp

25.0700.15 HL250-045 var.angle nzl+Hi/Lo set. Bsp
25.0700.16 HL250-053 var.angle nzl+Hi/Lo set. Bsp
25.0700.25 HL250-032 var.angle nzl+Hi/Lo set. Bsp
25.0700.35 HL250-037 var.angle nzl+Hi/Lo set. Bsp



Pos.	P/N	Description	Q.ty	K1	K2	K3	K4	
1	15.2000.20	Stud, 02 light green (1)	1					10
2	25.0705.84	Nozzle knob, black	1					5
3	25.1303.51	Sst deflector	1	•				10
4	25.0702.84	Deflector housing, POM	1					10
5	15.1037.00	Parallel pin, 3x23 mm Sst.	1					10
6	25.0703.31	Case	1					5
7	25.1190.51	Nozzle, 02 - M4 Sst. light green (1)	1					10
7	25.1091.51	Nozzle, 025 - M4 Sst. pink (2)	1					10
7	25.1092.51	Nozzle, 03 - M4 Sst. white (3)	1					10
7	25.1093.51	Nozzle, 035 - M4 Sst. brown (4)	1					10
7	25.1094.51	Nozzle, 04 - M4 Sst. dark yellow (5)	1					10

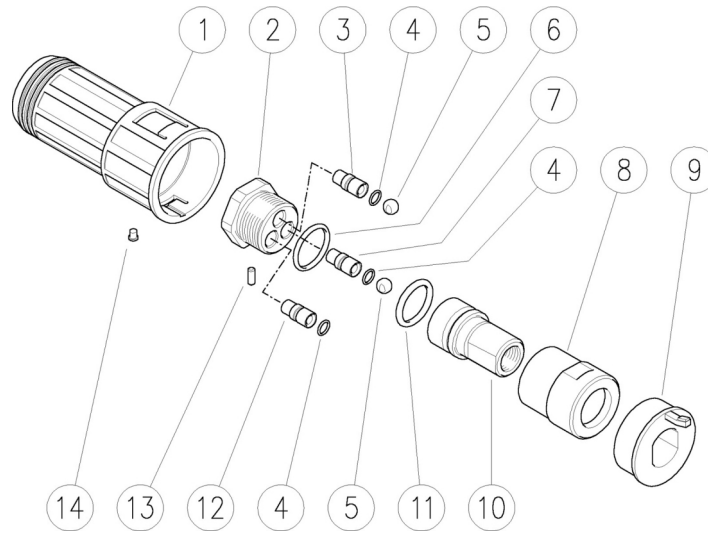
Pos.	P/N	Description	Q.ty	K1	K2	K3	K4	
7	25.1095.51	Nozzle, 045 - M4 Sst. blue (6)	1					10
7	25.1196.51	Nozzle, 053 - M4 Sst. beige (7)	1					10
7	25.1193.51	Nozzle, 032 - M4 Sst. dark purple (8)	1					10
7	25.1098.51	Nozzle, 037 - M4 Sst. -light red (9)	1					10
8	25.0701.31	Pin, 1/4F Bsp brass	1					5
9	10.4032.00	Back-up ring, 8x12x1,2 mm	1	•				10
10	10.3109.92	O-ring, 2,4x7,3 mm	1	•				10
11	10.4150.00	Stem seal, 10,2x12,2x2 mm	1	•				10
12	10.3052.00	O-ring, 1,78x6,75 mm	1	•				25
13	10.3072.50	O-ring, 1,78x21,95 mm	1	•				10

Kit	P/N	Description	
K1	25.0708.24	Spares kit HL250 6x1pcs.	1

(1) 25.0700.10 (2) 25.0700.11 (3) 25.0700.12 (4) 25.0700.13 (5) 25.0700.14 (6) 25.0700.15 (7) 25.0700.16 (8) 25.0700.25 (9) 25.0700.35

25.0800.45 GS3-045 N.hold.+3x nzl 1/4F Bsp
25.0800.55 GS3-055 N.hold.+3x nzl 1/4F Bsp

25.0800.60 GS3-06 N.hold.+3x nzl 1/4F Bsp



Pos.	P/N	Description	Q.ty	K1	K2	K3	K4	
1	25.0808.84	Case	1					3
2	25.0810.31	Nozzle holder	1					3
3	25.0804.31	Straight nozzle, 045 (1)	1					3
3	25.0803.31	Straight nozzle, 055 (2)	1					3
3	25.0802.31	Straight nozzle, 06 (3)	1					3
4	10.3002.01	O-ring, 1x5 mm Ni 85	3	•				10
5	14.7421.50	Ball, 1/4" Sst.	2	•				10
6	10.3072.50	O-ring, 1,78x21,95 mm	1	•				10
7	25.0801.31	Nozzle, 40° 20 d.7 mm brass	1					3

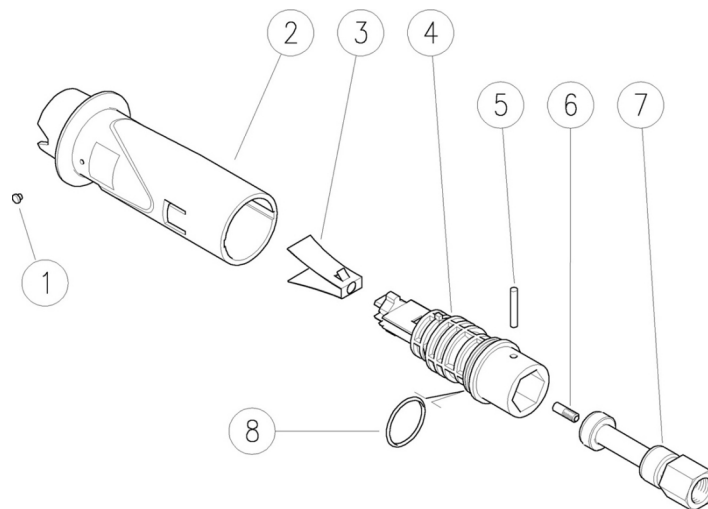
Pos.	P/N	Description	Q.ty	K1	K2	K3	K4	
8	25.0811.31	Distributor housing	1					3
9	25.0809.84	Knob plug	1					3
10	25.0812.31	Rotating ball distributor, 1/4F Bsp	1					1
11	10.3181.50	O-ring, 2,62x17,2 mm	1	•				25
12	25.0807.51	Nozzle, 25° 045 d.7 mm brass (1)	1					3
12	25.0806.51	Nozzle, 25° 055 d.7 mm brass (2)	1					3
12	25.0805.51	Nozzle, 25° 060 d.7 mm brass (3)	1					3
13	15.1018.00	Parallel pin, 3x8 mm Sst.	1					10
14	15.2000.45	Stud, 045 blue (1)	1					10


Kit	P/N	Description	
K1	25.0815.24	Spares kit -GS3 1x4pcs.	1


(1) 25.0800.45 (2) 25.0800.55 (3) 25.0800.60


25.0850.11 Van250-025 variabl.angle nzl 1/4F Bsp
25.0850.12 Van250-03 variabl.angle nzl 1/4F Bsp
25.0850.13 Van250-035 variabl.angle nzl 1/4F Bsp

25.0850.14 Van250-04 variabl.angle nzl 1/4F Bsp
25.0850.15 Van250-045 variabl.angle nzl 1/4F Bsp
25.0850.16 Van250-053 variabl.angle nzl 1/4F Bsp



Pos.	P/N	Description	Q.ty	K1	K2	K3	K4	
1	15.2000.25	Stud, 025 pink (1)	1					10
2	25.0851.84	Nozzle knob, black	1					3
3	25.1303.51	Sst deflector	1	•				10
4	25.0702.84	Deflector housing, POM	1					10
5	15.1037.00	Parallel pin, 3x23 mm Sst.	1					10
6	25.1091.51	Nozzle, 025 - M4 Sst. pink (1)	1					10
6	25.1092.51	Nozzle, 03 - M4 Sst. white (2)	1					10

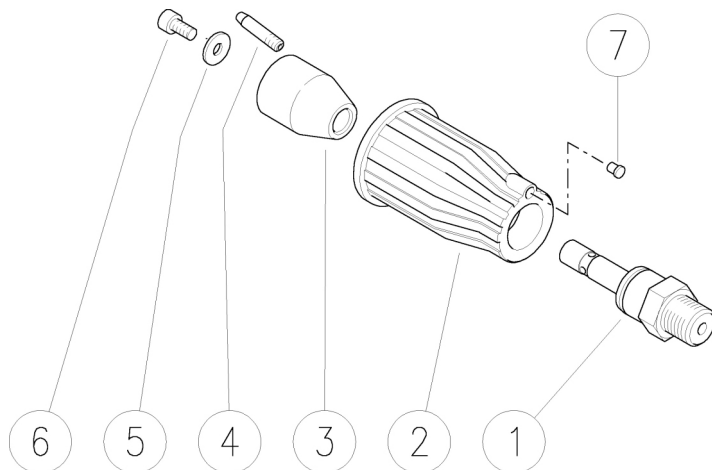
Pos.	P/N	Description	Q.ty	K1	K2	K3	K4	
6	25.1093.51	Nozzle, 035 - M4 Sst. brown (3)	1					10
6	25.1094.51	Nozzle, 04 - M4 Sst. dark yellow (4)	1					10
6	25.1095.51	Nozzle, 045 - M4 Sst. blue (5)	1					10
6	25.1196.51	Nozzle, 053 - M4 Sst. beige (6)	1					10
7	25.0852.31	Pin, 1/4F Bsp	1					3
8	10.3072.50	O-ring, 1,78x21,95 mm	1	•				10

Kit	P/N	Description	
K1	25.0853.24	Spares kit Van 250 2x5pcs.	1

(1) 25.0850.11 (2) 25.0850.12 (3) 25.0850.13 (4) 25.0850.14 (5) 25.0850.15 (6) 25.0850.16

25.1100.11 UR1-03 Nzl,rot.1/4M Npt,white
 25.1100.12 UR1-035 Nzl,rot.1/4M Npt,brown
 25.1100.13 UR1-04 Nzl,rot.1/4M Npt,d.yell
 25.1100.14 UR1-045 Nzl,rot.1/4M Npt,blue

25.1100.15 UR1-05 Nzl,rot.1/4M Npt,l. purple
 25.1100.16 UR1-06 Nzl,rot.1/4M Npt,d. green
 25.1100.18 UR1-09 Nzl,rot.1/4M Npt,gold

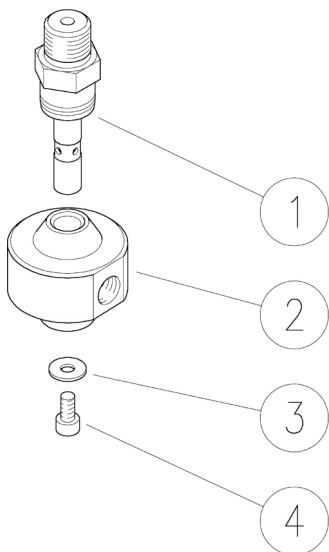


Pos.	P/N	Description	Q.ty	K1	K2	K3	K4	
1	25.1103.51	Pin, 1/4F Npt Sst.	1					3
2	25.1102.84	Nozzle knob, black	1					3
3	25.1101.31	Rotating body, M4F	1					3
3	25.1111.31	Rotating body, 2x M4F	1					1
4	25.1105.51	Nozzle, 03 - M4 Sst. (1)	1					5
4	25.1106.51	Nozzle, 035 - M4 Sst. (2)	1					5
4	25.1104.51	Nozzle, 04 - M4 Sst. (3)	1					2
4	25.1107.51	Nozzle, 045 - M4 Sst. (4)	1					5

Pos.	P/N	Description	Q.ty	K1	K2	K3	K4	
4	25.1108.51	Nozzle, 05 - M4 Sst. (5)	1					2
4	25.1109.51	Nozzle, 07 - M4 Sst. (6)	1					2
4	25.1107.51	Nozzle, 045 - M4 Sst. (7)	2					5
5	60.0164.33	Washer, 4,1x10,8x1mm brass	1					10
6	16.1830.00	Screw, DIN912 M4x8 mm Sst.	1					10
7	15.2000.30	Stud, 03 white (1)	1					10
7	15.2000.40	Stud, 04 dark yellow (3)	1					10

(1) 25.1100.11 (2) 25.1100.12 (3) 25.1100.13 (4) 25.1100.14 (5) 25.1100.15 (6) 25.1100.16 (7) 25.1100.18

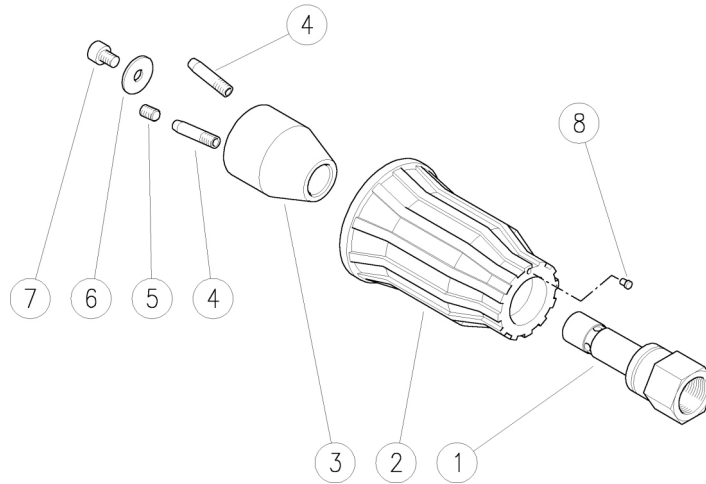
25.1130.00 URF180 Rotating head 1/4M Npt-2x1/8F Bsp



Pos.	P/N	Description	Q.ty	K1	K2	K3	K4	
1	25.1103.51	Pin, 1/4F Npt Sst.	1					3
2	25.1131.31	Rotating body, 2x 1/8F Bsp	1					3
3	60.0164.33	Washer, 4,1x10,8x1mm brass	1					10
4	16.1830.00	Screw, DIN912 M4x8 mm Sst.	1					10

25.1148.17 UR3-06 Nzl,rot.500bar,1 nzl.,d.green
 25.1150.11 UR3-06 Nzl,rot.500bar,2 nzl.,d.grn

25.1150.12 UR3-07 Nzl,rot.500bar,2 nzl.,orange
 25.1150.13 UR3-08 Nzl,rot.500bar,2 nzl.,silver

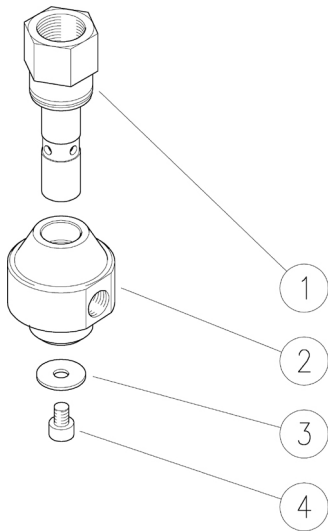


Pos.	P/N	Description	Q.ty	K1	K2	K3	K4	
1	25.1152.51	Pin, 1/2F Bsp Sst.	1					3
2	25.1154.84	Nozzle knob, black	1					3
3	25.1151.31	Rotating body, 2× M6x1F	1					3
4	25.1155.51	Nozzle, 03 - M6 Sst. (1)	2					3
4	25.1156.51	Nozzle, 035 - M6 Sst. (2)	2					3
4	25.1157.51	Nozzle, 04 - M6 Sst. (3)	2					3
4	25.1159.51	Nozzle, 05 - M6 Sst.	1-2					3

Pos.	P/N	Description	Q.ty	K1	K2	K3	K4	
4	25.1160.51	Nozzle, 055 - M6 Sst.	1-2					3
4	25.1161.51	Nozzle, 06 - M6 Sst. (4)	1-2					3
5	16.2220.00	Set screw, DIN913 M6x8 mm Sst.	1					10
6	25.1153.31	Washer, 6x20x1,5 mm brass	1					5
7	16.1832.00	Screw, ISO7380 M6x8 mm Sst.	1					10
8	15.2000.70	Stud, 07 orange (1)	1					10

(1) 25.1150.11 (2) 25.1150.12 (3) 25.1150.13 (4) 25.1148.17

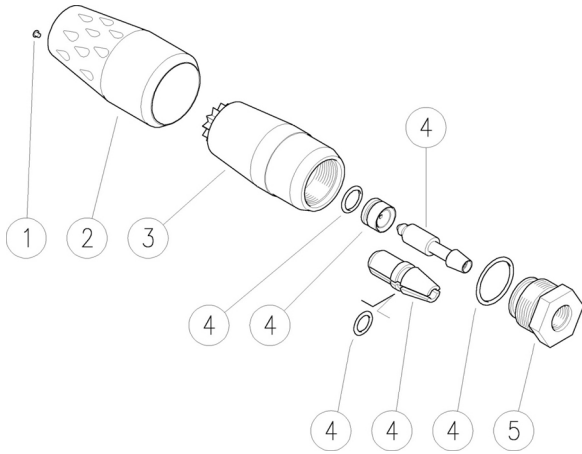
25.1170.00 URF400 Rotating head 1/2F-2x1/4F Bsp




Pos.	P/N	Description	Q.ty	K1	K2	K3	K4	
1	25.1152.51	Pin, 1/2F Bsp Sst.	1					3
2	25.1171.31	Rotating body, 2× 1/4F Bsp - URF400	1					3
3	25.1153.31	Washer, 6x20x1,5 mm brass	1					5
4	16.1832.00	Screw, ISO7380 M6x8 mm Sst.	1					10

- 25.1720.20 UR20-02 Rotat.nzl,200bar, green
- 25.1720.30 UR20-03 Rotat.nzl,200bar, white
- 25.1720.35 UR20-035 Rotat.nzl,200bar, brown
- 25.1720.40 UR20-04 Rotat.nzl,200bar, d.yellow
- 25.1720.45 UR20-045 Rotat.nzl,200bar, blue

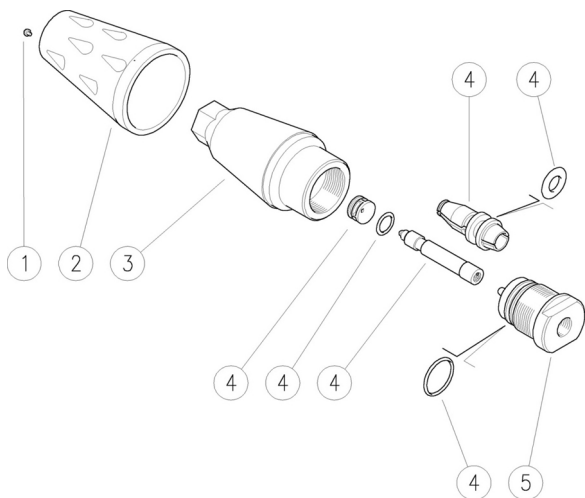
- 25.1720.50 UR20-05 Rotat.nzl,200bar, l.purple
- 25.1720.55 UR20-055 Rotat.nzl,200bar, d.red
- 25.1720.60 UR20-06 Rotat.nzl,200bar, d.green
- 25.1720.65 UR20-065 Rotat.nzl,200bar, l.blue
- 25.1720.70 UR20-07 Rotat.nzl,200bar, orange



Pos.	P/N	Description	Q.ty	K1	K2	K3	K4	
1	15.2000.30	Stud, 03 white (1)	1					10
2	25.1721.85	Knob UR20, black	1					3
3	25.1722.31	Housing -UR20	1					2
4	25.1924.24	Spares kit -UR20.020 (2)	1					1
4	25.1788.24	Spares kit -UR20.03 (1)	1					1
4	25.1734.24	Spares kit -UR20.035 (3)	1					1
4	25.1733.24	Spares kit -UR20.04 (4)	1					1
4	25.1784.24	Spares kit -UR20.045 (5)	1					1
4	25.1785.24	Spares kit -UR20.05 (6)	1					1
4	25.1786.24	Spares kit -UR20.055 (7)	1					1
4	25.1747.24	Spares kit -UR20.06 (8)	1					1
4	25.1787.24	Spares kit -UR20.065 (9)	1					1
4	25.1789.24	Spares kit -UR20.07 (10)	1					1
5	25.1727.31	Coupling, 1/4 F Bsp (3)	1					3
5	25.1901.31	Coupling, 1/4 F Bsp (4)	1					3
5	25.1902.31	Coupling, 1/4 F Bsp +O-ring (5)	1					3
5	25.1903.31	Coupling, 1/4 F Bsp (6)	1					3
5	25.1904.31	Coupling, 1/4 F Bsp (7)	1					3
5	25.1916.31	Coupling, 1/4 F Bsp (8)	1					3
5	25.1905.31	Coupling, 1/4 F Bsp (9)	1					3

- (1) 25.1720.30 (2) 25.1720.20 (3) 25.1720.35 (4) 25.1720.40 (5) 25.1720.45
 (6) 25.1720.50 (7) 25.1720.55 (8) 25.1720.60 (9) 25.1720.65 (10) 25.1720.70

- 25.1735.10 UR35-10 Rotat.nzl,350bar, wht/blue
- 25.1735.12 UR35-12 Rotat.nzl,350bar, wht/yell.
- 25.1735.19 UR35-20.00 Rotat.nzl,350bar, wht/red
- 25.1735.20 UR35-02 Rotat.nzl,350bar, l.green
- 25.1735.30 UR35-03 Rotat.nzl,350bar, white
- 25.1735.35 UR35-035 Rotat.nzl,350bar, brown
- 25.1735.40 UR35-04 Rotat.nzl,350bar, d.yell.

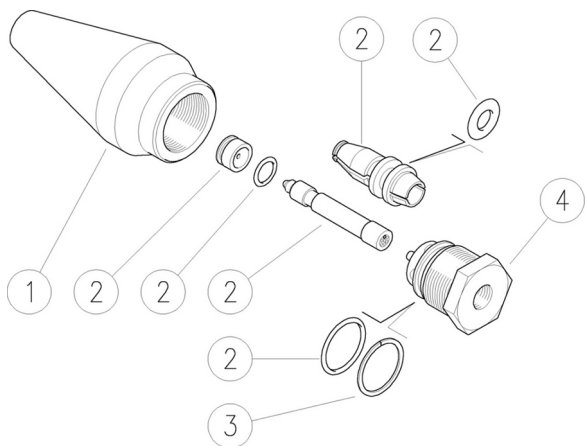


- 25.1735.45 UR35-045 Rotat.nzl,350bar, blue
- 25.1735.50 UR35-05 Rotat.nzl,350bar, l.purple
- 25.1735.55 UR35-055 Rotat.nzl,350bar, d.red
- 25.1735.60 UR35-06 Rotat.nzl,350bar, d.green
- 25.1735.65 UR35-065 Rotat.nzl,350bar, l.blue
- 25.1735.80 UR35-08 Rotat.nzl,350bar, silver
- 25.1735.90 UR35-09 Rotat.nzl,350bar, gold

Pos.	P/N	Description	Q.ty	K1	K2	K3	K4
1	15.2000.35	Stud, 035 brown (1)	1				10
2	25.1736.85	Knob UR35, black	1				3
3	25.1737.31	Housing -UR35	1				1
4	25.1922.24	Spares kit -UR35.02 (2)	1				1
4	25.1923.24	Spares kit -UR35.03 (3)	1				1
4	25.1746.24	Spares kit -UR35.035 (1)	1				1
4	25.1748.24	Spares kit -UR35.04 (4)	1				1
4	25.1792.24	Spares kit -UR35.045 (5)	1				1
4	25.1796.24	Spares kit -UR35.05 (6)	1				1
4	25.1793.24	Spares kit -UR35.055 (7)	1				1
4	25.1797.24	Spares kit -UR35.06 (8)	1				1
4	25.1794.24	Spares kit -UR35.065 (9)	1				1
4	25.1925.24	Spares kit -UR35.08 (10)	1				1
4	25.1795.24	Spares kit -UR35.09 (11)	1				1
4	25.1798.24	Spares kit -UR35.10 (12)	1				1
4	25.1799.24	Spares kit -UR35-12- 5x1pcs. (13)	1				1
4	25.1926.24	Spares kit -UR35.20 (14)	1				1
5	25.1740.31	Coupling, 1/4 F Bsp (1)	1				3
5	25.1906.31	Coupling, 1/4 F Bsp (5)	1				3
5	25.1907.31	Coupling, 1/4 F Bsp (7)	1				3
5	25.1908.31	Coupling, 1/4 F Bsp (9)	1				3
5	25.1918.31	Coupling, 1/4 F Bsp (10)	1				3
5	25.1909.31	Coupling, 1/4 F Bsp (11)	1				3
5	25.1919.31	Coupling, 1/4 F Bsp- UR35-10 (12)	1				3

- (1) 25.1735.35 (2) 25.1735.20 (3) 25.1735.30 (4) 25.1735.40 (5) 25.1735.45
 (6) 25.1735.50 (7) 25.1735.55 (8) 25.1735.60 (9) 25.1735.65 (10) 25.1735.80
 (11) 25.1735.90 (12) 25.1735.10 (13) 25.1735.12 (14) 25.1735.19

- 25.1750.30 UR50-03 Rotat.nzl,500bar
- 25.1750.40 UR50-04 Rotat.nzl,500bar, d.yell.
- 25.1750.45 UR50-045 Rotat.nzl,500bar, blue
- 25.1750.50 UR50-05 Rotat.nzl,500bar, l.purple



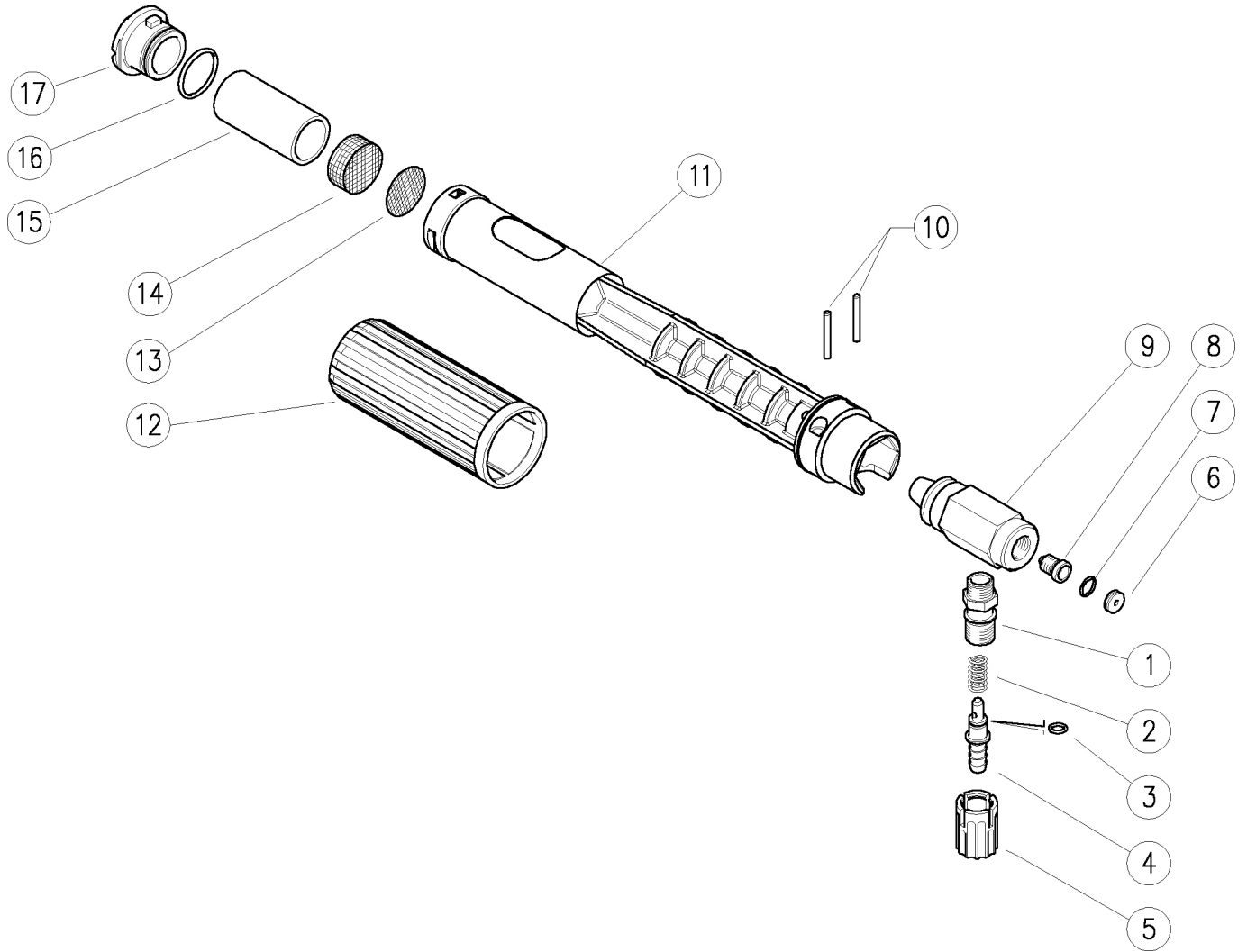
- 25.1750.55 UR50-055 Rotat.nzl,500bar, d.red
- 25.1750.60 UR50-06 Rotat.nzl,500bar, d.grn
- 25.1750.65 UR50-065 Rotat.nzl,500bar, l.blue
- 25.1750.70 UR50-07 Rotat.nzl,500bar, orange

Pos.	P/N	Description	Q.ty	K1	K2	K3	K4
1	25.1751.51	Housing -UR50, Sst.	1				1
2	25.1762.24	Spares kit -UR50.03 (1)	1				1
2	25.1763.24	Spares kit -UR50.04 (2)	1				1
2	25.1764.24	Spares kit -UR50.045 (3)	1				1
2	25.1765.24	Spares kit -UR50.05 (4)	1				1
2	25.1766.24	Spares kit -UR50.055 (5)	1				1
2	25.1767.24	Spares kit -UR50.06 (6)	1				1
2	25.1768.24	Spares kit -UR50.065 (7)	1				1
2	25.1769.24	Spares kit -UR50.07 (8)	1				1
4	25.1917.51	Sst.coupling, 1/4 F Bsp-Ur50-03+o ring (1)	1				1
4	25.1755.51	Coupling, 1/4 F Bsp Sst. (2)	1				1
4	25.1910.51	Coupling, 1/4 F Bsp Sst. (3)	1				1
4	25.1911.51	Coupling, 1/4 F Bsp Sst.UR50-05+O-ring (4)	1				1
4	25.1912.51	Coupling, 1/4 F Bsp Sst. (5)	1				1
4	25.1913.51	Coupling, 1/4 F Bsp Sst. (6)	1				1
4	25.1914.51	Coupling, 1/4 F Bsp Sst. (7)	1				1
4	25.1915.51	Coupling, 1/4 F Bsp Sst. (8)	1				1

- (1) 25.1750.30 (2) 25.1750.40 (3) 25.1750.45 (4) 25.1750.50 (5) 25.1750.55
 (6) 25.1750.60 (7) 25.1750.65 (8) 25.1750.70

25.1800.15 LS12 Foamer, 1,5mm

25.1815.15 LS12 Foamer 1,5mm Sst.



Pos.	P/N	Description	Q.ty	K1	K2	K3	K4	
1	21.0173.31	Coupling, M12x1-1/4M Bsp brass	1	•	•			10
1	21.0173.51	Coupling, M12x1-1/4M Bsp Sst. (1)	1					5
2	21.0158.51	Spring, 0,8x7x15 mm Sst.	1	•	•			10
3	10.3043.01	O-ring, 1,78x4,48 mm Vi 70	1	•	•			10
4	21.0155.99	Hose barb, d.8 mm brass+o-ring (2)	1	•				3
4	21.0155.90	Hose barb, d.8 mm sst.+o-ring (1)	1		•			3
5	21.0171.84	Inject.knob, 1/4F Bsp black	1	•	•			10
6	25.0085.31	Nozzle insert	1					5
7	10.3003.00	O-ring, 1x8 mm	1					10
8	21.0007.51	Nozzle, M8x1 - 1,5 mm Sst.	1					10

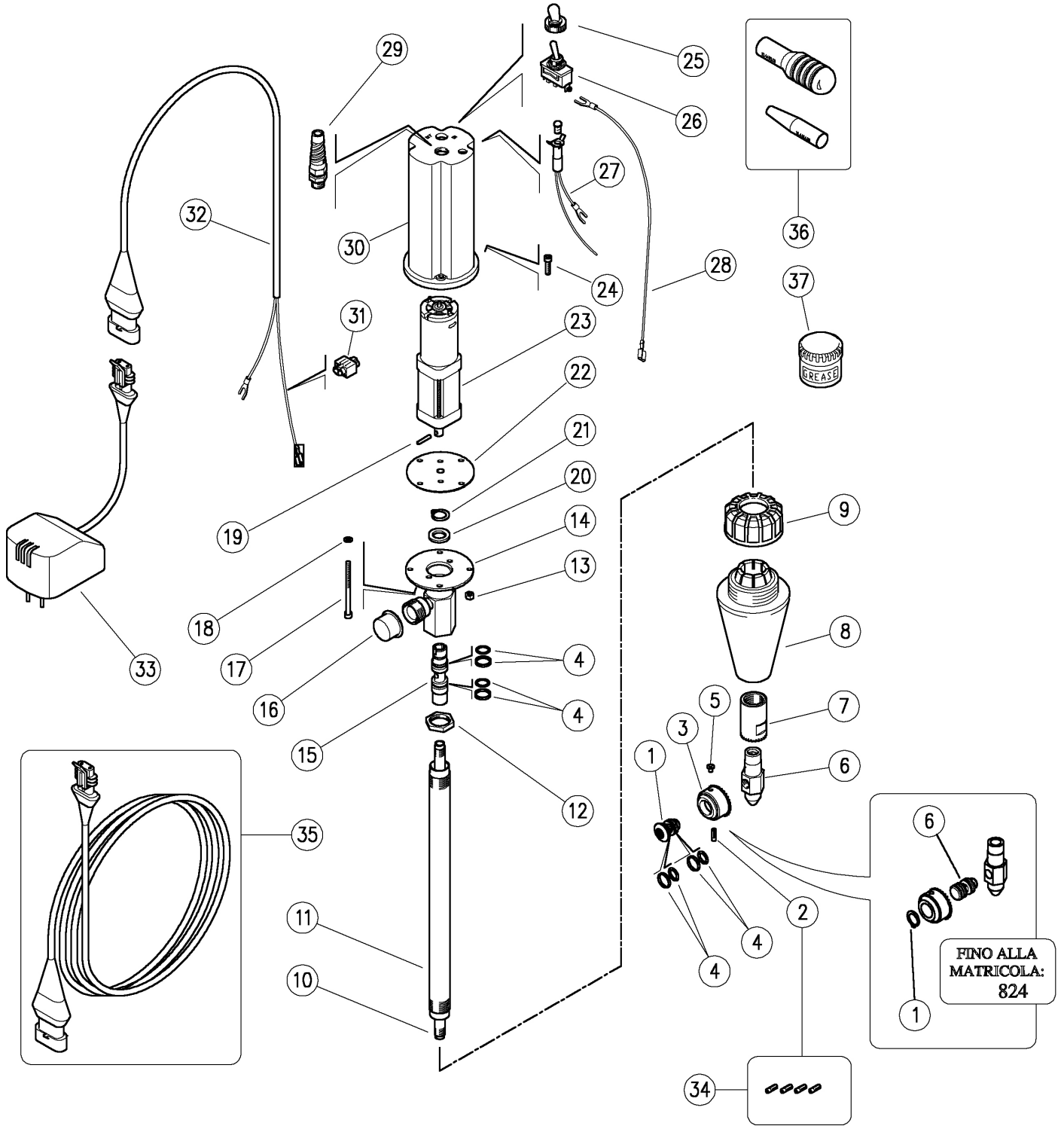
Pos.	P/N	Description	Q.ty	K1	K2	K3	K4	
9	25.1803.31	Injector housing -LS12	1					3
9	25.1803.51	Injector Housing -LS12, Sst. (1)	1					3
10	30.0509.31	Parallel pin, 5x24,5 mm brass	2					10
11	25.1801.84	Lance housing -LS12	1					5
12	25.1805.84	Knob -LS12	1					5
13	29.0802.53	Diaphragm, 25x0,5 mm Sst.	1					10
14	25.1806.51	Pressed strainer,25x10mm Sst.	1					10
15	25.1831.85	Spacer ring -LS12	1					5
16	10.3072.10	O-ring, 1,78x20,35 mm Vi 70	1					10
17	25.1802.84	Front nozzle -LS10-12 black	1					5

Kit	P/N	Description	
K1	21.0100.00	Regulator+h.barb 8-M12x1mm brs. inject.	50
K2	21.0108.00	Regulator+h.barb 8-M12x1 mm Sst.inject.	2

(1) 25.1815.15 (2) 25.1800.15


25.4300.00 M21E Tank cl.,el.-driv., 220V AC/50Hz
 25.4300.24 M21E Tank cl.,el.-driv.,240V AC/50Hz AUS

25.4300.60 M21E Tank cl.,el.-driv.,110V AC/60Hz USA
 25.4300.62 M21E Tank cl.,el.-driv.,100V AC/60Hz JAP




Pos.	P/N	Description	Q.ty	K1	K2	K3	K4	
1	80.0313.51	Pin, M10x1 Sst.	1					1
2	15.3704.00	Plug, M4 plast.	2					4
2	80.0350.51	Nozzle, 025 - 1,0mm - M4 Sst. light green	2	•				10
2	80.0351.51	Nozzle, 025 - 1,1mm - M4 Sst. pink	2	•				10
2	80.0352.51	Nozzle, 03 - 1,2mm - M4 Sst. white	2	•				10
2	80.0353.51	Nozzle, 035 - 1,3mm - M4 Sst. brown	2	•				10
2	80.0354.51	Nozzle, 04 - 1,4mm - M4 Sst. yellow	2	•				10
3	80.0312.51	Nzl hold. pinion, z.29 M4 FF Sst.	1					1
4	10.2032.00	Piston seal, 10x15x2 mm +O-ring	4	•				4
5	15.3704.00	Plug, M4 plast.	2					4
6	80.0314.51	Buffer, M10x1 Sst.	1					1
7	80.0311.51	Fixed pinion, z.24 Sst.	1					1
8	80.0315.84	Tapered plug, TPEs black	1					1
9	80.0316.84	Ring nut, PP black	1					10
10	80.0310.56	Tube, M10x1 MM 672mm Sst.	1					1
11	80.0309.56	Tube, M20x1 MM 655mm Sst.	1					1
12	80.0308.51	Ring nut, M20x1 Sst.	1					1
13	11.4513.10	Hex. nut, M4, Sst.	4					10
14	80.0304.21	Manifold, Sst.	1					1
15	80.0303.51	Propeller shaft, Sst.	1					1
16	15.3700.00	Plug, 20,5 mm pvc	1					10
17	16.1860.00	Screw, DIN912 M4x60 mm Sst.	2					10
18	14.3519.00	Washer, 4x8x0,5 mm brass	2					10

** On request

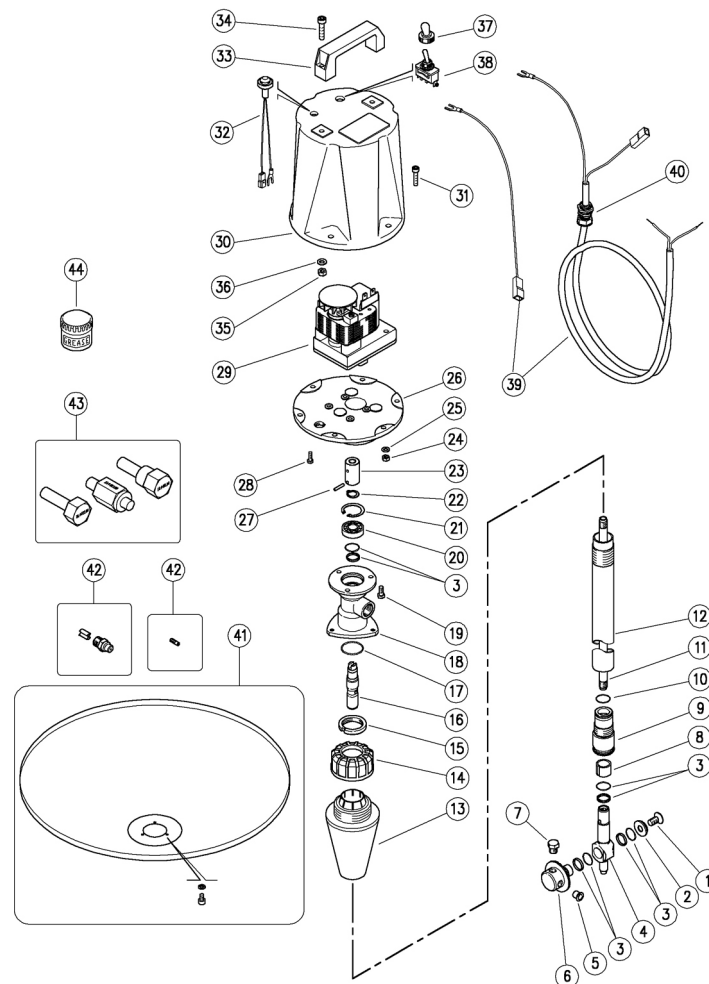
Kit	P/N	Description	
K1	25.4320.24	Nozzle kit M4 - M21E 2x5pcs.	1
K2	25.4308.24	Spares kit -M21E 3(6)x1 pcs	1

(1) 25.4300.00 (2) 25.4300.24 (3) 25.4300.60 (4) 25.4300.62

Pos.	P/N	Description	Q.ty	K1	K2	K3	K4	
19	15.1030.00	Roll pin, 3x16 mm Sst.	1					10
20	80.0302.31	Spacer ring, 13x21x3,8mm	1	•				3
21	10.1000.13	Snap ring, E 13 Sst.	1	•				5
22	80.0317.88	Motor seal, NBR	1					2
23	13.0827.00	Gearmotor, 12V 10Rpm	1					1
24	16.1852.10	Screw, DIN912 M4x14 mm Sst.	4					10
25	12.5016.05	Switch protector	1					5
26	12.5016.10	On/off unipol. switch	1					3
27	12.5019.31	Pilot lamp	1					5
28	12.5019.25	Cable, 1x0,75 L.250 mm	1					5
29	13.5997.00	Cable gland 1/4 +protection	1					5
30	80.0301.84	Motor casing, PA black	1					1
31	12.5019.47	Wire tap-in	1					5
32	12.5019.10	Cable, 2x1,5 mm 10m+F connection	1					5
33	12.5071.00	Transf. 230VAC/12VDC EU (1)	1					1
33	12.5071.24	Transf. 240VAC/12VDC AUS (2)	1					1
33	12.5071.60	Transf. 115VAC-60Hz/12VDC USA (3)	1					1
33	12.5071.62	Transf. 100VAC-60Hz/12VDC JAP (4)	1					1
34	25.4320.24	Nozzle kit M4 - M21E 2x5pcs.	1					1
35	25.4353.20	Exten.-M21E 20m 12V DC MF **	1					1
36	25.4321.24	Seal Setup Tool Kit - M21E 2pcs. **	1					1
37	14.6552.00	Teflon silicon grease x30g.>All **	1					2

25.4500.00 M63E-50 Tank cl.,electric-driven,24V AC

25.4500.04 M63E-45 Tank cl.,electric-driven, 24V AC

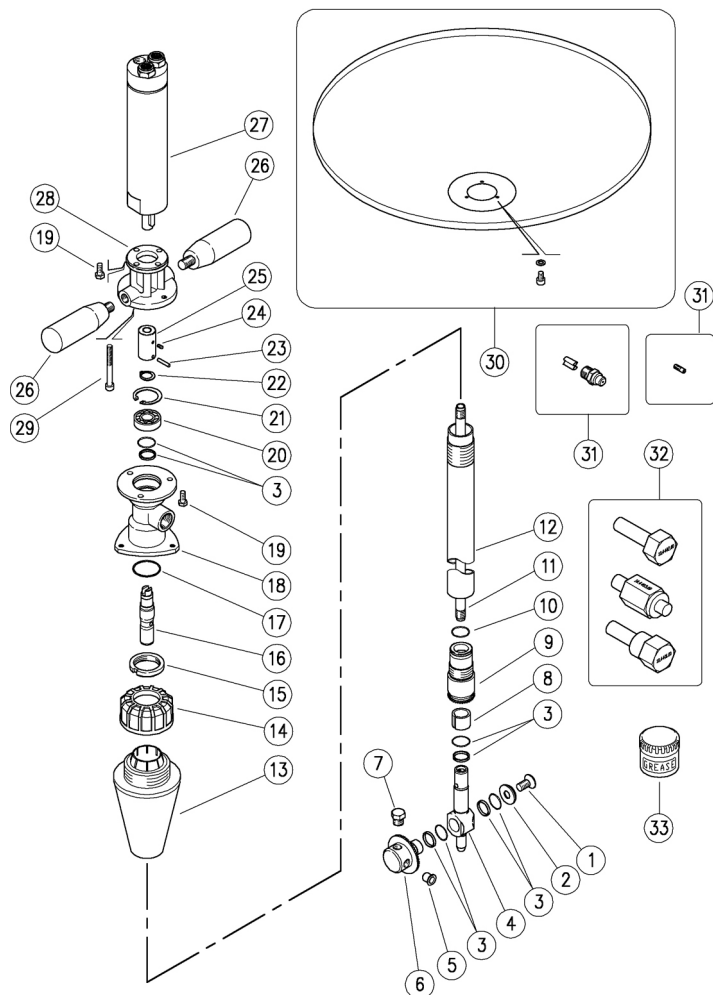


Pos.	P/N	Description	Q.ty	K1	K2	K3	K4	Pos.	P/N	Description	Q.ty	K1	K2	K3	K4
1	16.1954.12	Screw, DIN7991 M8x12 mm Sst.	1				10	22	10.0999.05	Snap ring, E 12 Sst.	1				10
2	80.0015.51	C/sunk washer, 8,5x22x4,5mm Sst.	1				3	23	80.0031.51	Joint, 8-11 x33mm Sst.	1				1
3	10.2030.00	Stem seal, 15x20x2,2 mm +O-ring	4	•			4	24	11.4524.51	Hex. nut, M5, Sst.	6				10
4	80.0005.52	Buffer, M10 Sst.	1				1	25	14.3560.00	Washer, 5,3x10x1 mm Sst.	6				10
5	15.3710.18	Plug, 1/8" Bsp plast.	2				4	26	80.0032.42	Flange for electr.gearmotor, Al	1				1
5	15.3704.00	Plug, M4 plast.	2				4	27	15.1030.00	Roll pin, 3x16 mm Sst.	2				10
6	80.0014.51	Nzl hold. pinion, z.57, 4x1/8Npt F Sst.	1				1	28	16.1834.15	Screw, DIN933 M4x12 mm Sst.	4				10
6	80.0016.51	Nzl hold. pinion, z.57, M4 FFFF Sst.	1				1	29	13.0825.00	Gearmotor, 24V AC	1				1
7	15.3711.18	Grub screw, 303 Sst. 1/8M Npt	2				4	30	80.0026.84	Motor casing, PA black	1				1
7	16.1830.00	Screw, DIN912 M4x8 mm Sst.	2				10	31	16.1873.00	Screw, DIN912 M5x20 mm Sst.	6				10
8	80.0009.85	Bushing, opn. 15x19x14,8mm PTFE	1	•			3	32	15.0800.00	Pilot lamp + nut + ring nut 24V	1				3
9	80.0027.23	Pinion.34 Sst+Bushing.opn.15mm	1				1	33	12.8311.00	Handle	1				5
10	10.3184.10	O-ring, 2,62x18,72 mm Vi 70	1	•			10	34	16.1896.20	Screw, DIN912 M6x20 mm Sst.	2				10
11	80.0003.56	Tube, M10x1 MM 894mm Sst.	1				1	35	11.4540.00	Hex. nut, M6, Sst.	2				10
12	80.0052.56	Tube, M28x1 M 895mm Sst.	1				1	36	14.3570.00	Washer, 6,2x14x1,5 mm Sst.	2				10
13	80.0021.84	Tapered plug, TPEs black	1		•		3	37	12.5016.05	Switch protector	1				5
14	80.0316.84	Ring nut, PP black	1		•		10	38	12.5016.10	On/off unipol. switch	1				3
15	80.0012.51	Ring nut, M28x1 Sst.	1				1	39	12.5016.00	Cable, 2x1,5 L.2500 mm	1				1
16	80.0002.51	Propeller shaft, Sst.	1				1	40	13.6000.00	Cable gland	1				5
17	10.3205.10	O-ring, 2,62x26,64 mm Vi 70	1	•			10	42	16.1363.45	Nzl, sst,1/8M Npt+guid.vane 00.045 **	2-4				10
18	80.0051.52	Manifold, 3/8F Bsp Sst.	1				1	42	25.1095.51	Nozzle, 045 - M4 Sst. blue **	2-4				10
19	16.1870.02	Screw, DIN933 M5x12 mm Sst.	3				10	43	25.4531.24	Seal Setup Tool Kit - M63E/P 3pcs. ***	1				1
20	11.4412.28	Ball-bearing, 12x28x8 mm - 2RS1 Sst.	1	•			3	44	14.6552.00	Teflon silicon grease x30g.>All ***	1				2
21	10.1011.05	Snap ring, I 28 Sst.	1	•			10								

** Different measures available

*** On request

Kit	P/N	Description	Q.ty
K1	25.4525.24	Spares Kit - M63E 3x1pcs.	1
K2	25.4530.24	Ball-bear. Spares Kit - M63E 4x1pcs.	1
K3	80.0020.00	Tapered plug -M63	1



Pos.	P/N	Description	Q.ty	K1	K2	K3	K4	
1	16.1954.12	Screw, DIN7991 M8x12 mm Sst.	1					10
2	80.0015.51	C/sunk washer, 8,5x22x4,5mm Sst.	1					3
3	10.2030.00	Stem seal, 15x20x2,2 mm +O-ring	4	•				4
4	80.0005.52	Buffer, M10 Sst.	1					1
5	15.3710.18	Plug, 1/8" Bsp plast.	2					4
5	15.3704.00	Plug, M4 plast.	2					4
6	80.0014.51	Nzl hold. pinion, z.57, 4x1/8Npt F Sst.	1					1
6	80.0016.51	Nzl hold. pinion, z.57, M4 FFFF Sst.	1					1
7	15.3711.18	Grub screw, 303 Sst. 1/8M Npt	2					4
7	16.1830.00	Screw, DIN912 M4x8 mm Sst.	2					10
8	80.0009.85	Bushing, opn. 15x19x14,8mm PTFE	1	•				3
9	80.0027.23	Pinion.34 Sst+Bushing,opn.15mm	1					1
10	10.3184.10	O-ring, 2,62x18,72 mm Vi 70	1	•				10
11	80.0003.56	Tube, M10x1 MM 894mm Sst.	1					1
12	80.0052.56	Tube, M28x1 M 895mm Sst.	1					1
13	80.0021.84	Tapered plug, TPEs black	1		•			3
14	80.0316.84	Ring nut, PP black	1		•			10
15	80.0012.51	Ring nut, M28x1 Sst.	1					1

Pos.	P/N	Description	Q.ty	K1	K2	K3	K4	
16	80.0002.51	Propeller shaft, Sst.	1					1
17	10.3205.10	O-ring, 2,62x26,64 mm Vi 70	1	•				10
18	80.0051.52	Manifold, 3/8F Bsp Sst.	1					1
19	16.1870.02	Screw, DIN933 M5x12 mm Sst.	6					10
20	11.4412.28	Ball-bearing, 12x28x8 mm - 2RS1 Sst.	1	•				3
21	10.1011.05	Snap ring, I 28 Sst.	1	•				10
22	10.0999.05	Snap ring, E 12 Sst.	1	•				10
23	15.1030.00	Roll pin, 3x16 mm Sst.	1					10
24	16.2101.10	Set screw, DIN913 M4x5 mm Sst.	1					10
25	80.0037.51	Joint, 11 x37mm Sst.	1					1
26	13.0600.00	Knob M10x15 mm	2					2
27	13.0800.00	Pneumatic gearmotor	1					1
28	80.0036.42	Flange for air-driven motor, Al	1					1
29	16.2115.00	Screw, DIN912 M5x50 mm Sst.	1					10
31	16.1363.45	Nzl, sst,1/8M Npt+guid.vane 00.045 **	2-4					10
31	25.1095.51	Nozzle, 045 - M4 Sst. blue ***	2-4					10
32	25.4531.24	Seal Setup Tool Kit - M63E/P 3pcs. **	1					1
33	14.6552.00	Teflon silicon grease x30g.>All **	1					2

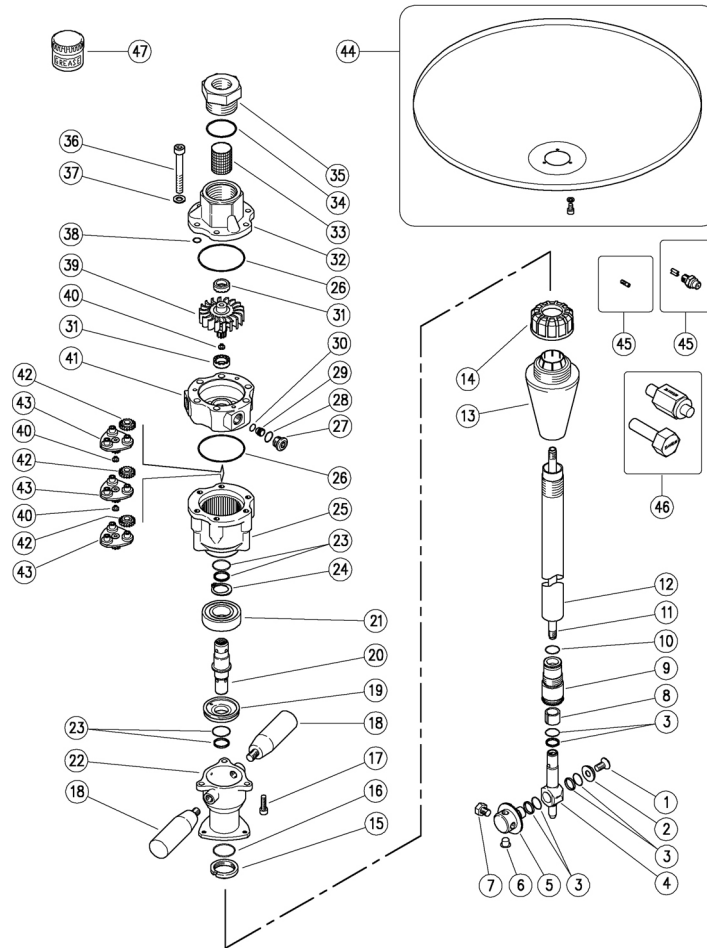
** On request

*** Different measures available

Kit	P/N	Description	
K1	25.4525.24	Spares Kit - M63E 3x1pcs.	1
K2	25.4530.24	Ball-bear. Spares Kit - M63E 4x1pcs.	1
K3	80.0020.00	Tapered plug -M63	1

25.4600.20 MI63-50 Tank cl.,hydr.-driv.,2mm-inject.
 25.4600.24 MI63-45 Tank cl.,hydr.-driv.,2mm-inject.
 25.4600.30 MI63-50 Tank cl.,hydr.-driv.,3mm-inject.


25.4600.40 MI63-50-1/8 inject.4,00mm
 25.4600.50 MI63-50 Tank cl.,hydr.-driv.,5mm-inject.
 25.4902.25 MI63A-50 Tank cl.,hy.-driv.,2,5mm-.Atex 0496



Pos.	P/N	Description	Q.ty	K1	K2	K3	K4	
1	16.1954.12	Screw, DIN7991 M8x12 mm Sst.	1					10
2	80.0015.51	C/sunk washer, 8,5x22x4,5mm Sst.	1					3
3	10.2030.00	Stem seal, 15x20x2,2 mm +O-ring	3	•				4
4	80.0005.52	Buffer, M10 Sst.	1					1
5	80.0014.51	Nzl hold. pinion, z.57, 4x1/8Npt F Sst. (1)	1					1
5	80.0016.51	Nzl hold. pinion, z.57, M4 FFFF Sst. (2)	1					1
6	15.3710.18	Plug, 1/8" Bsp plast. (1)	2					4
6	15.3704.00	Plug, M4 plast. (2)	2					4
7	15.3711.18	Grub screw, 303 Sst. 1/8M Npt (1)	2					4
7	16.1830.00	Screw, DIN912 M4x8 mm Sst. (2)	2					10
8	80.0009.85	Bushing, opn. 15x19x14,8mm PTFE	1	•				3
9	80.0027.23	Pinion.34 Sst+Bushing,opn.15mm	1					1
10	10.3184.10	O-ring, 2,62x18,72 mm Vi 70	1	•				10
11	80.0003.56	Tube, M10x1 MM 894mm Sst.	1					1
12	80.0052.56	Tube, M28x1 M 895mm Sst.	1					1
13	80.0021.84	Tapered plug, TPEs black	1		•			3
14	80.0316.84	Ring nut, PP black	1		•			10
15	80.0012.51	Ring nut, M28x1 Sst.	1					1
16	10.3205.10	O-ring, 2,62x26,64 mm Vi 70	1	•				10
17	16.1896.20	Screw, DIN912 M6x20 mm Sst.	3					10
18	13.0600.00	Knob M10x15 mm	2					2
19	80.0233.51	Spacer ring, 18x46,8x10,8mm Sst.	1					1
20	80.0232.51	Geared shaft, Sst.	1					1
21	11.4420.47	Ball-bearing, 20x47x14 mm - 2RS1 Sst.	1	•				2
22	80.0231.52	Housing sleeve, Sst.	1					1
23	10.2030.18	Stem seal, 18x23x2 mm +O-ring Epdm	2	•				5
24	10.1020.05	Snap ring, E 20 Sst.	1	•				10
25	80.0207.52	Ring gear, z.50 Sst.	1					1

** Different measures available

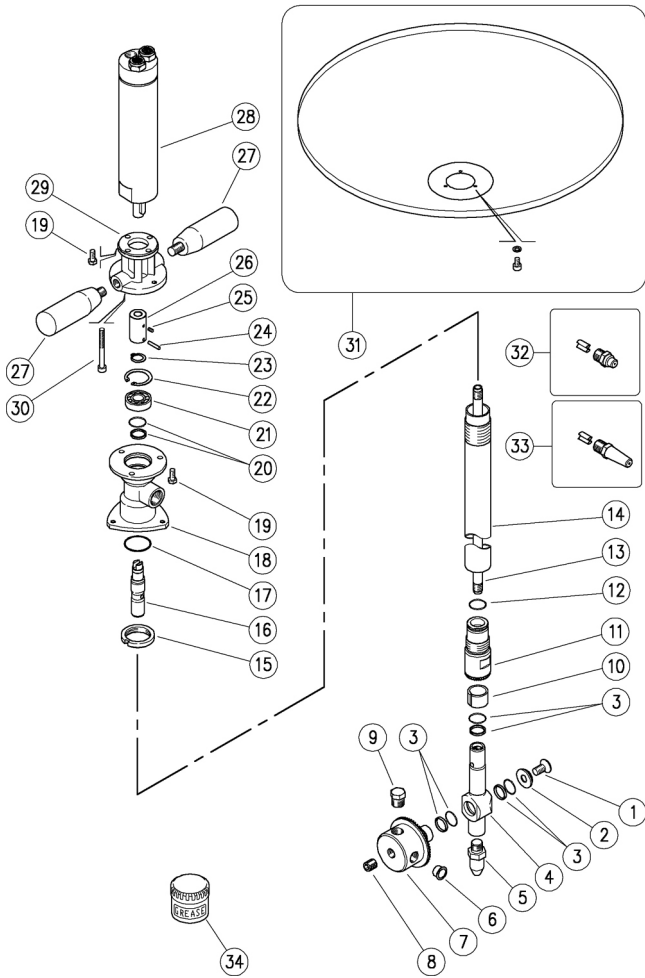
*** On request

Kit	P/N	Description	
K1	25.4608.24	Spares Kit - M163 9x1pcs.	1
K2	25.4630.24	Spares Kit - M163 - M185 6x1pcs.	1
K3	80.0020.00	Tapered plug -M63	1

(1) 25.4600.20 (2) 25.4600.24 (3) 25.4600.30 (4) 25.4600.40 (5) 25.4600.50

Pos.	P/N	Description	Q.ty	K1	K2	K3	K4	
26	10.3080.58	O-ring, 1,78x56,87 mm Vi 70	2	•				10
27	80.0219.51	Plug, int.hex., M14x1 Sst.	3					3
28	10.3060.10	O-ring, 1,78x12,42 mm Vi 70	3	•				10
29	80.0221.51	Injector, 2mm Sst.	3					3
29	80.0222.51	Injector, 3mm Sst. (3)	3					3
29	80.0223.51	Injector, 4mm Sst. (4)	3					3
29	80.0224.51	Injector, 5mm Sst. (5)	3					3
30	10.3003.00	O-ring, 1x8 mm	3	•				10
31	80.0212.84	Bushing, plast.	2		•			3
32	80.0201.52	Manifold, Sst.	1					1
33	28.0014.53	Net, 38mesh-400µm Sst.	1					10
34	10.3208.36	O-ring, 2,62x36,17 mm Vi 70	1	•				5
35	80.0217.51	Coupl., M40x2 M -3/4F Bsp Sst.	1					1
36	16.1955.60	Screw, DIN912 M8x60 mm Sst.	6					10
37	14.3573.00	Safet. washer, 8,4x2 mm Sst.	6					10
38	10.3109.93	O-ring, 2,4x8,3 mm Vi 70	3	•				10
39	80.0203.52	Turbine, Sst.	1					1
40	80.0213.84	Shim pin, plast.	3		•			3
41	80.0202.52	Stator, Sst.	1					1
42	80.0204.38	Planetary gear, z.19 brz	9		•			3
43	80.0205.00	Planetary gear holder+3 pins, Sst.	3					1
45	16.1363.45	Nzl, sst,1/8M Npt+guid.vane 00.045 **	2-4					10
45	25.1091.51	Nozzle, 025 - M4 Sst. pink ***	2-4					10
45	25.1190.51	Nozzle, 02 - M4 Sst. light green ***	2-4					10
45	25.1093.51	Nozzle, 035 - M4 Sst. brown ***	2-4					10
46	25.4631.24	Seal Setup Tool Kit - M163 3pcs. ***	1					1
47	14.6552.00	Teflon silicon grease x30g.>All ***	1					2

25.4720.00 M85PA Tank cl.,air -driv. 915mm Atex



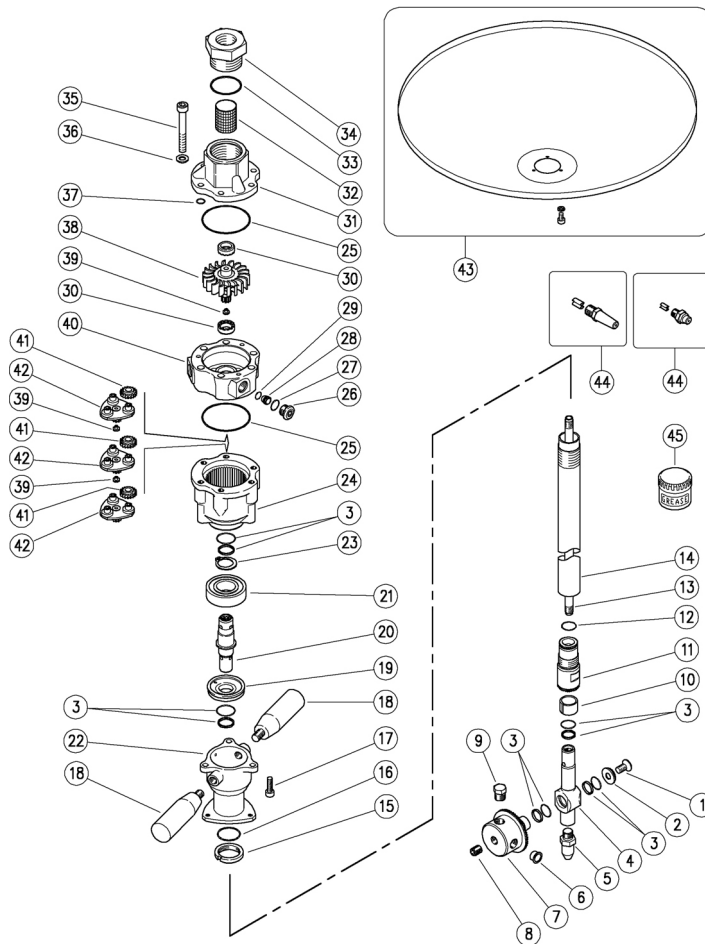
Pos.	P/N	Description	Q.ty	K1	K2	K3	K4	
1	16.1954.12	Screw, DIN7991 M8x12 mm Sst.	1					10
2	80.0094.51	C/sunk washer, 8,5x28x4,5mm Sst.	1					1
3	10.2030.18	Stem seal, 18x23x2 mm +O-ring Epdm	3	•				5
4	80.0093.51	Buffer, M12 Sst.	1					1
5	80.0004.51	Buffer tip, M12 Sst.	1					3
6	15.3720.14	Plug, 1/4" Bsp plast.	2					4
7	80.0091.51	Nzl hold. pinion, z.57 4x1/4 Npt F Sst.	1					1
8	16.2242.12	Set screw, DIN913 M12x12 mm Sst.	1					10
9	15.3721.14	Grub screw, Sst. 1/4M Npt	2					10
10	80.0024.85	Bushing, opn. 18x22x14,8mm PTFE	1	•				5
11	80.0092.51	Pinion, z.34 Sst.	1					1
12	10.3184.10	O-ring, 2,62x18,72 mm Vi 70	1	•				10
13	80.0003.56	Tube, M10x1 MM 894mm Sst.	1					1
14	80.0052.56	Tube, M28x1 M 895mm Sst.	1					1
15	80.0012.51	Ring nut, M28x1 Sst.	1					1
16	80.0002.51	Propeller shaft, Sst.	1					1
17	10.3205.10	O-ring, 2,62x26,64 mm Vi 70	1	•				10
18	80.0051.52	Manifold, 3/8F Bsp Sst.	1					1
19	16.1870.02	Screw, DIN933 M5x12 mm Sst.	6					10
20	10.2030.00	Stem seal, 15x20x2,2 mm +O-ring	1	•				4
21	11.4412.28	Ball-bearing, 12x28x8 mm - 2RS1 Sst.	1	•				3
22	10.1011.05	Snap ring, I 28 Sst.	1	•				10
23	10.0999.05	Snap ring, E 12 Sst.	1	•				10
24	15.1030.00	Roll pin, 3x16 mm Sst.	1					10
25	16.2101.10	Set screw, DIN913 M4x5 mm Sst.	1					10
26	80.0037.51	Joint, 11 x37mm Sst.	1					1
27	13.0600.00	Knob M10x15 mm	2					2
28	13.0800.00	Pneumatic gearmotor	1					1
29	80.0036.42	Flange for air-driven motor, Al	1					1
30	16.2115.00	Screw, DIN912 M5x50 mm Sst.	1					10
32	16.1380.45	Nzl, sst,1/4M Npt+guid.vane 00.045 **	2-4					10
33	80.0418.23	Xnd. nzl., sst. 07 1/4M Npt+guid.vane **	2-4					2
33	80.0420.23	Xnd. nzl., sst. 09 1/4M Npt+guid.vane **	2-4					2
33	80.0430.23	Xnd. nzl., sst. 20 1/4M Npt +guid.vane **	2-4					2
34	14.6552.00	Teflon silicon grease x30g.>All **	1					2

** On request

Kit	P/N	Description	
K1	25.4721.24	Seals Spares Kit - M85E/P 4x1pcs.	1
K2	25.4724.24	Ball-bear. Spares Kit - M85E/P 4x1pcs.	1

25.4750.00 MI85 Tank cl.,hydr.-driv. w/o inject.

25.4750.20 MI85 Tank cl.,hydr.-driv. 2mm inject.



Pos.	P/N	Description	Q.ty	K1	K2	K3	K4
1	16.1954.12	Screw, DIN7991 M8x12 mm Sst.	1				10
2	80.0094.51	C/sunk washer, 8,5x28x4,5mm Sst.	1				1
3	10.2030.18	Stem seal, 18x23x2 mm +O-ring Epdm	5	•			5
4	80.0093.51	Buffer, M12 Sst.	1				1
5	80.0004.51	Buffer tip, M12 Sst.	1				3
6	15.3720.14	Plug, 1/4" Bsp plast.	2				4
7	80.0091.51	Nzl hold. pinion, z.57 4x1/4 Npt F Sst.	1				1
8	16.2242.12	Set screw, DIN913 M12x12 mm Sst.	1				10
9	15.3721.14	Grub screw, Sst. 1/4M Npt	2				10
10	80.0024.85	Bushing, opn. 18x22x14,8mm PTFE	1	•			5
11	80.0099.23	Pinion Z.34 + bushing - M85	1				1
12	10.3184.10	O-ring, 2,62x18,72 mm Vi 70	1	•			10
13	80.0003.56	Tube, M10x1 MM 894mm Sst.	1				1
14	80.0052.56	Tube, M28x1 M 895mm Sst.	1				1
15	80.0012.51	Ring nut, M28x1	1				1
16	10.3205.10	O-ring, 2,62x26,64 mm Vi 70	1	•			10
17	16.1896.20	Screw, DIN912 M6x20 mm Sst.	3				10
18	13.0600.00	Knob M10x15 mm	2				2
19	80.0233.51	Spacer ring, 18x46,8x10,8mm Sst.	1				1
20	80.0232.51	Geared shaft, Sst.	1				1
21	11.4420.47	Ball-bearing, 20x47x14 mm - 2RS1 Sst.	1	•			2
22	80.0231.52	Housing sleeve, Sst.	1				1
23	10.1020.05	Snap ring, E 20 Sst.	1	•			10
24	80.0207.52	Ring gear, z.50 Sst.	1				1
25	10.3080.58	O-ring, 1,78x56,87 mm Vi 70	2	•			10
26	80.0219.51	Plug, int.hex., M14x1 Sst.	3				3
27	10.3060.10	O-ring, 1,78x12,42 mm Vi 70	3	•			10

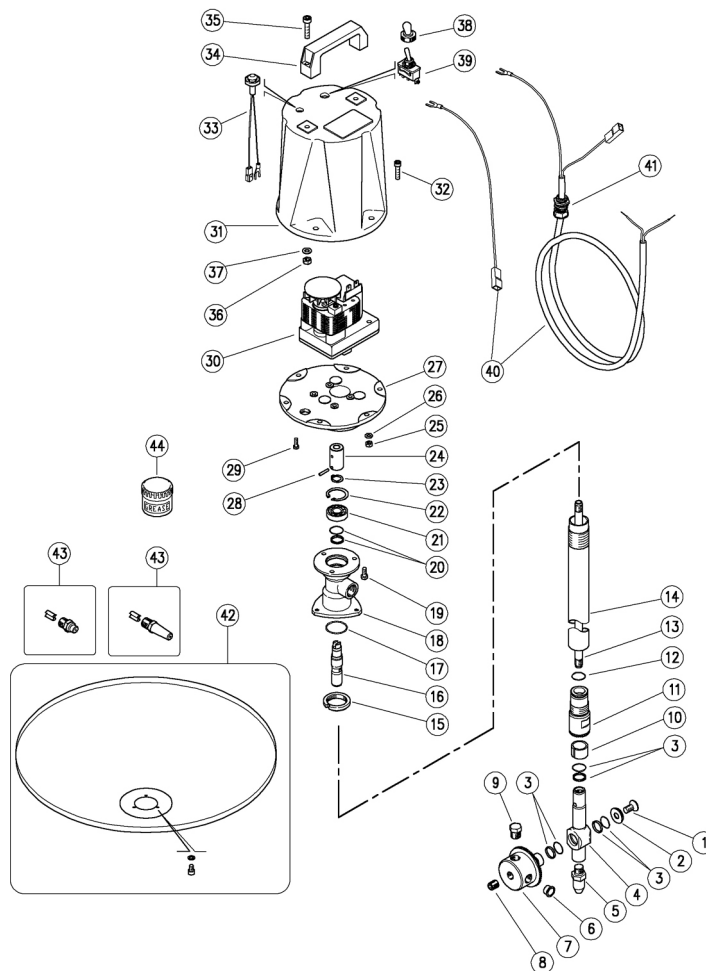
Pos.	P/N	Description	Q.ty	K1	K2	K3	K4
28	80.0221.51	Injector, 2mm Sst. (1)	3				3
28	80.0222.51	Injector, 3mm Sst.	3				3
28	80.0223.51	Injector, 4mm Sst.	3				3
28	80.0224.51	Injector, 5mm Sst.	3				3
28	80.0225.51	Injector, 6mm Sst.	3				3
28	80.0226.51	Injector, 7mm Sst.	3				3
28	80.0228.51	Short injector, 7mm Sst.	3				3
29	10.3003.00	O-ring, 1x8 mm	3	•			10
30	80.0212.84	Bushing, plast.	2	•			3
31	80.0201.52	Manifold, Sst.	1				1
32	28.0014.53	Net, 38mesh-400µm Sst.	1				10
33	10.3208.36	O-ring, 2,62x36,17 mm Vi 70	1	•			5
34	80.0217.51	Coupl., M40x2 M -3/4F Bsp Sst.	1				1
35	16.1955.60	Screw, DIN912 M8x60 mm Sst.	6				10
36	14.3573.00	Safet. washer, 8,4x2 mm Sst.	6				10
37	10.3109.93	O-ring, 2,4x8,3 mm Vi 70	3	•			10
38	80.0203.52	Turbine, Sst.	1				1
39	80.0213.84	Shim pin, plast.	3	•			3
40	80.0202.52	Stator, Sst.	1				1
41	80.0204.38	Planetary gear, z.19 brz	9	•			3
42	80.0205.00	Planetary gear holder+3 pins, Sst.	3				1
44	16.1380.45	Nzl, sst,1/4M Npt+guid.vane 00.045 **	2-4				10
44	80.0418.23	Xnd. nzl., sst. 07 1/4M Npt+guid.vane **	2-4				2
44	80.0420.23	Xnd. nzl., sst. 09 1/4M Npt+guid.vane **	2-4				2
44	80.0430.23	Xnd. nzl., sst. 20 1/4M Npt +guid.vane **	2-4				2
45	14.6552.00	Teflon silicon grease x30g.>All **	1				2

** On request

Kit	P/N	Description	Q.ty
K1	25.4758.24	Seals Spares Kit - MI85 8x1pcs.	1
K2	25.4759.24	Ball-bear. Spares Kit - MI85 6x1pcs.	1

(1) 25.4750.20

25.4770.00 M85E Tank cl.,el.-driv.24V AC



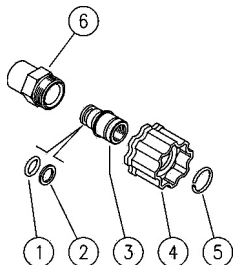
Pos.	P/N	Description	Q.ty	K1	K2	K3	K4	Pos.	P/N	Description	Q.ty	K1	K2	K3	K4
1	16.1954.12	Screw, DIN7991 M8x12 mm Sst.	1				10	24	80.0031.51	Joint, 8-11 x33mm Sst.	1				1
2	80.0094.51	C/sunk washer, 8,5x28x4,5mm Sst.	1				1	25	11.4524.51	Hex. nut, M5, Sst.	6				10
3	10.2030.18	Stem seal, 18x23x2 mm +O-ring Epdm	3	•			5	26	14.3560.00	Washer, 5,3x10x1 mm Sst.	6				10
4	80.0093.51	Buffer, M12 Sst.	1				1	27	80.0032.42	Flange for electr.gearmotor, Al	1				1
5	80.0004.51	Buffer tip, M12 Sst.	1				3	28	15.1030.00	Roll pin, 3x16 mm Sst.	2				10
6	15.3720.14	Plug, 1/4" Bsp plast.	2				4	29	16.1834.15	Screw, DIN933 M4x12 mm Sst.	4				10
7	80.0091.51	Nzl hold. pinion, z.57 4x1/4 Npt F Sst.	1				1	30	13.0825.00	Gearmotor, 24V AC	1				1
8	16.2242.12	Set screw, DIN913 M12x12 mm Sst.	1				10	31	80.0026.84	Motor casing, PA black	1				1
9	15.3721.14	Grub screw, Sst. 1/4M Npt	2				10	32	16.1873.00	Screw, DIN912 M5x20 mm Sst.	6				10
10	80.0024.85	Bushing, opn. 18x22x14,8mm PTFE	1	•			5	33	15.0800.00	Pilot lamp + nut + ring nut 24V	1				3
11	80.0092.51	Pinion, z.34 Sst.	1				1	34	12.8311.00	Handle	1				5
12	10.3184.10	O-ring, 2,62x18,72 mm Vi 70	1	•			10	35	16.1896.20	Screw, DIN912 M6x20 mm Sst.	2				10
13	80.0003.56	Tube, M10x1 MM 894mm Sst.	1				1	36	11.4540.00	Hex. nut, M6, Sst.	2				10
14	80.0052.56	Tube, M28x1 M 895mm Sst.	1				1	37	14.3570.00	Washer, 6,2x14x1,5 mm Sst.	2				10
15	80.0012.51	Ring nut, M28x1 Sst.	1				1	38	12.5016.05	Switch protector	1				5
16	80.0002.51	Propeller shaft, Sst.	1				1	39	12.5016.10	On/off unipol. switch	1				3
17	10.3205.10	O-ring, 2,62x26,64 mm Vi 70	1	•			10	40	12.5016.00	Cable, 2x1,5 L.2500 mm	1				1
18	80.0051.52	Manifold, 3/8F Bsp Sst.	1				1	41	13.6000.00	Cable gland	1				5
19	16.1870.02	Screw, DIN933 M5x12 mm Sst.	3				10	43	16.1380.45	Nzl, sst,1/4M Npt+guid.vane 00.045 **	2-4				10
20	10.2030.00	Stem seal, 15x20x2,2 mm +O-ring	1	•			4	43	80.0418.23	Xnd. nzl., sst. 07 1/4M Npt+guid.vane ***	2-4				2
21	11.4412.28	Ball-bearing, 12x28x8 mm - 2RS1 Sst.	1	•			3	43	80.0420.23	Xnd. nzl., sst. 09 1/4M Npt+guid.vane ***	2-4				2
22	10.1011.05	Snap ring, I 28 Sst.	1	•			10	43	80.0430.23	Xnd. nzl., sst. 20 1/4M Npt +guid.vane ***	2-4				2
23	10.0999.05	Snap ring, E 12 Sst.	1	•			10	44	14.6552.00	Teflon silicon grease x30g.>All ***	1				2

** Different measures available

*** On request

Kit	P/N	Description	Q.ty
K1	25.4721.24	Seals Spares Kit - M85E/P 4x1pcs.	1
K2	25.4724.24	Ball-bear. Spares Kit - M85E/P 4x1pcs.	1

26.0110.20 AR1 B 1/2Bsp 2pcs 15mm screw.cpl.1/4F



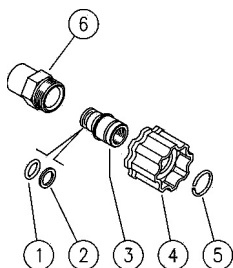
26.0113.31 AR1 A 1/2Bsp 15mm screw.nippl.-1/4F Bsp

Pos.	P/N	Description	Q.ty	K1	K2	K3	K4	
1	10.3109.96	O-ring, 2,4x10,3 mm Vi 70	1					10
2	10.4011.01	Back-up ring, 11,2x14,9x1,2 mm	1					10
3	26.0112.31	Plug, 15mm-1/4M Bsp brass	1					10
4	26.0116.22	Hand nut, 1/2F Bsp - 17,5mm blue	1					10
5	26.0252.51	Snap ring, 1,5x15,5 mm Sst.	1					10
6	26.0113.31	AR1 A 1/2Bsp 15mm screw.nippl.-1/4F Bsp	1					10

26.0005.31 AR1 A M22 screw-type nipple-A M22

26.0150.05 AR1 B M22 2pcs screw.coupler-1/8F Bsp

26.0150.20 AR1 B M22 2pcs screw.coupl.-1/4F Bsp



26.0150.30 AR1 B M22 2pcs screw.coupl.-1/4M Bsp

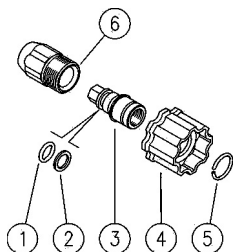
26.0150.40 AR1 B M22 2pcs screw.coupl.-3/8M Bsp

Pos.	P/N	Description	Q.ty	K1	K2	K3	K4	
1	10.3109.95	O-ring, 2,4x9,3 mm Vi 70	1					25
2	10.4010.01	Back-up ring, 10,2x13,9x1,2mm	1					50
3	26.0262.31	Plug, 14mm-1/8F Bsp brass (1)	1					5
3	26.0261.31	Plug, 14mm-1/4F Bsp brass (2)	1					10
3	26.0013.31	Plug, 14mm-1/4M Bsp brass (3)	1					10
3	26.0093.31	Plug, 14mm-3/8M Bsp brass (4)	1					10
4	26.0101.22	Hand nut, M22x1,5 - 15,5mm black (3)	1					25
4	26.0260.22	Hand nut, M22x1,5 - 17,5mm black	1					10
5	26.0252.51	Snap ring, 1,5x15,5 mm Sst.	1					10
6	26.0005.31	AR1 A M22 screw-type nipple-A M22	1					25
6	26.0002.31	AR1 A M22 screw-typp.nipp.1/4F Bsp	1					25
6	26.0051.31	AR1 A M22 screw-type nipple-1/4M Bsp	1					25
6	26.0031.31	AR1 A M22 screw-type nipple-3/8F Bsp	1					25
6	26.0030.31	AR1 A M22 screw-type nipple-3/8M Bsp	1					25
6	26.0032.31	AR1 A M22 screw-type nipple-1/2M Bsp	1					25
6	26.0033.31	AR1 A M22 screw-type nipple-1/2F Bsp	1					25

(1) 26.0150.05 (2) 26.0150.20 (3) 26.0150.30 (4) 26.0150.40

26.0199.31 AR3 A M22 hex, screw. nipple-1/4M Bsp

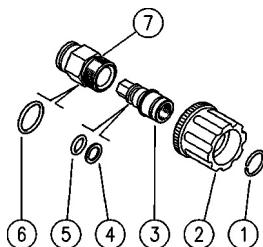
26.0200.31 AR3 A M22 hex. screw. nipple-1/4F Bsp



26.0205.00 AR3 B M22 2pcs hex.screw.cpl.-1/4F Bsp

Pos.	P/N	Description	Q.ty	K1	K2	K3	K4	
1	10.3109.95	O-ring, 2,4x9,3 mm Vi 70	1					25
2	10.4010.01	Back-up ring, 10,2x13,9x1,2mm	1					50
3	26.0201.31	Plug, 14mm+hex.10-1/4F Bsp brass	1					10
4	26.0260.22	Hand nut, M22x1,5 - 17,5mm black	1					10
5	26.0252.51	Snap ring, 1,5x15,5 mm Sst.	1					10
6	26.0200.31	AR3 A M22 hex. screw. nipple-1/4F Bsp	1					25
6	26.0199.31	AR3 A M22 hex, screw. nipple-1/4M Bsp	1					10

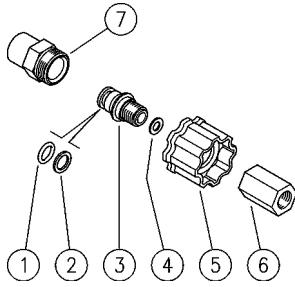
26.0220.00 AR4 B M22 2pcs hex.screw.cpl.-1/4F Bsp



26.0225.31 AR4 A M22 hex.screw-type nipple-1/4F Bsp

Pos.	P/N	Description	Q.ty	K1	K2	K3	K4	
1	26.0252.51	Snap ring, 1,5x15,5 mm Sst.	1					10
2	26.0221.22	Hand nut -AR4, M22x1,5 17,5mm black	1					10
3	26.0201.31	Plug, 14mm+hex.10-1/4F Bsp brass	1					10
4	10.4010.01	Back-up ring, 10,2x13,9x1,2mm	1					50
5	10.3109.95	O-ring, 2,4x9,3 mm Vi 70	1					25
6	10.3182.00	O-ring, 2,62x17,96 mm	1					10
7	26.0225.31	AR4 A M22 hex.screw-type nipple-1/4F Bsp	1					25
7	26.0199.31	AR3 A M22 hex, screw. nipple-1/4M Bsp	1					10

- 26.0250.05 AR1 B M22 3pcs screw.coupl.-1/8F Bsp
- 26.0250.20 AR1 B M22 3pcs screw-type cpl.-1/4F Bsp
- 26.0250.30 AR1 B M22 3pcs screw.coupl.-1/4M Bsp
- 26.0250.40 AR1 B M22 3pcs screw-type cpl.-3/8F Bsp

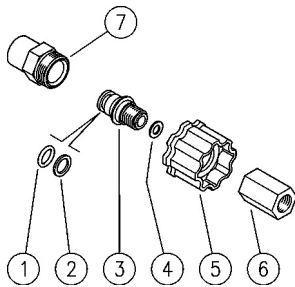


- 26.0250.50 AR1 B M22 3pcs screw-type cpl.-3/8M Bsp
- 26.0250.60 AR1 B M22 3pcs screw-type cpl.-1/2F Bsp
- 26.0250.70 AR1 B M22 3pcs screw.coupl.-1/2M Bsp

Pos.	P/N	Description	Q.ty	K1	K2	K3	K4	
1	10.3109.95	O-ring, 2,4x9,3 mm Vi 70	1					25
2	10.4010.01	Back-up ring,10,2x13,9x1,2mm	1					50
3	26.0013.31	Plug, 14mm-1/4M Bsp brass	1					10
3	26.0093.31	Plug, 14mm-3/8M Bsp brass	1					10
4	14.3562.05	Washer, 6x11x1 mm Cu	1					10
5	26.0101.22	Hand nut, M22x1,5 - 15,5mm black	1					25
6	26.0034.31	Coupling, 1/8 F-1/4 F Bsp brass (1)	1					10
6	26.0007.31	Coupling, 1/4 MF Bsp brass (2)	1					10
6	26.0040.31	Coupling, 1/4 F-1/4 F Bsp brass (3)	1					10
6	26.0036.31	Coupling, 3/8 M-1/4 F Bsp brass (4)	1					10
6	26.0037.31	Coupling, 3/8 F-1/4 F Bsp brass (5)	1					25
6	26.0038.31	Coupling, 1/2 F-1/4 F Bsp brass (6)	1					10
6	26.0039.31	Coupling, 1/2 M-1/4 F Bsp brass (7)	1					10
6	26.0045.31	AR1 A M21 screw-type nipple-1/4F Bsp	1					10
7	26.0005.31	AR1 A M22 screw-type nipple-A M22	1					25
7	26.0002.31	AR1 A M22 screw-typp.nipp.1/4F Bsp	1					25
7	26.0051.31	AR1 A M22 screw-type nipple-1/4M Bsp	1					25
7	26.0031.31	AR1 A M22 screw-type nipple-3/8F Bsp	1					25
7	26.0030.31	AR1 A M22 screw-type nipple-3/8M Bsp	1					25
7	26.0032.31	AR1 A M22 screw-type nipple-1/2M Bsp	1					25
7	26.0033.31	AR1 A M22 screw-type nipple-1/2F Bsp	1					25

(1) 26.0250.05 (2) 26.0250.30 (3) 26.0250.20 (4) 26.0250.50 (5) 26.0250.40
 (6) 26.0250.60 (7) 26.0250.70

- 26.0270.20 AR1 B M21 3pcs screw.coupl.-1/4F Bsp
- 26.0270.30 AR1 B M21 3pcs screw.coupler-1/4M Bsp

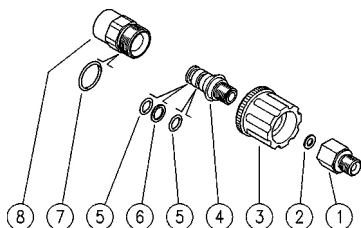


- 26.0270.40 AR1 B M21 3pcs screw.coupler-3/8F Bsp
- 26.0270.50 AR1 B M21 3pcs screw.coupler-3/8M Bsp

Pos.	P/N	Description	Q.ty	K1	K2	K3	K4	
1	10.3109.95	O-ring, 2,4x9,3 mm Vi 70	1					25
2	10.4010.01	Back-up ring,10,2x13,9x1,2mm	1					50
3	26.0013.31	Plug, 14mm-1/4M Bsp brass	1					10
4	14.3562.05	Washer, 6x11x1 mm Cu	1					10
5	26.0070.22	Hand nut, M21x1,5 - 15,5mm grey	1					5
6	26.0007.31	Coupling, 1/4 MF Bsp brass (1)	1					10
6	26.0040.31	Coupling, 1/4 F-1/4 F Bsp brass	1					10
6	26.0036.31	Coupling, 3/8 M-1/4 F Bsp brass (2)	1					10
6	26.0037.31	Coupling, 3/8 F-1/4 F Bsp brass (3)	1					25
6	26.0038.31	Coupling, 1/2 F-1/4 F Bsp brass	1					10
7	26.0041.31	AR1 A M22 screw-type nipple-A M21	1					10
7	26.0045.31	AR1 A M21 screw-type nipple-1/4F Bsp	1					10
7	26.0044.31	AR1 A M21 screw-type nipple-1/4M Bsp	1					10
7	26.0047.31	AR1 A M21 screw-type nipple-3/8F Bsp	1					10
7	26.0046.31	AR1 A M21 screw-type nipple-3/8M Bsp	1					10
7	26.0049.31	AR1 A M21 screw-type nipple-1/2F Bsp	1					10

(1) 26.0270.30 (2) 26.0270.50 (3) 26.0270.40

26.0630.20 AR8 A M24 screw-type nipple -1/4F Bsp
26.0630.40 AR8 A M24 screw-type nipple -3/8F Bsp

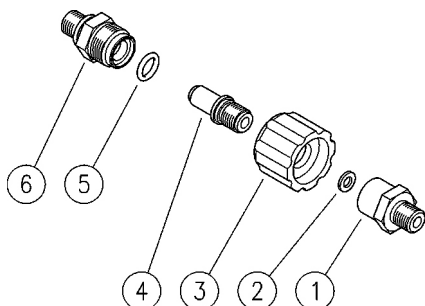


26.0650.30 AR8 B M24 3pcs screw.coupl.-1/4M Bsp
26.0650.50 AR8 B M24 3pcs screw.coupler-3/8M Bsp

Pos.	P/N	Description	Q.ty	K1	K2	K3	K4	
1	26.0007.31	Coupling, 1/4 MF Bsp brass (1)	1					10
1	26.0036.31	Coupling, 3/8 M-1/4 F Bsp brass (1)	1					10
2	14.3562.05	Washer, 6x11x1 mm Cu	1					10
3	26.0652.22	Hand nut, M24x1,5 - 17,5mm blue	1					3
4	26.0651.31	Plug, 14mm-1/4M Bsp brass	1					3
5	10.3109.95	O-ring, 2,4x9,3 mm Vi 70	2					25
6	10.4010.01	Back-up ring,10,2x13,9x1,2mm	1					50
7	10.3185.00	O-ring, 2,5x20 mm	1					10
8	26.0631.31	Coupling, M24x1,5-1/4 F Bsp brass (2)	1					3
8	26.0632.31	Coupling, M24x1,5-3/8 F Bsp brass (3)	1					3

(1) 26.0650.30 (2) 26.0630.20 (3) 26.0630.40

26.0700.20 AR7 A 1/2Bsp screw-type nipple-1/4F Bsp
26.0750.20 AR7 B 1/2Bsp 3pcs screw.coupler 1/4F Bsp
26.0750.30 AR7 B 1/2Bsp 3pcs screw.coupler 1/4M Bsp

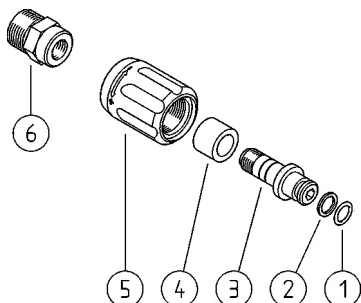


26.0750.40 AR7 B 1/2Bsp 3pcs screw.coupler 3/8F Bsp
26.0750.50 AR7 B 1/2Bsp 3pcs screw.coupler 3/8M Bsp

Pos.	P/N	Description	Q.ty	K1	K2	K3	K4	
1	26.0755.61	Fitting -AR7, 1/4 FF Bsp (1)	1					1
1	26.0757.61	Fitting -AR7, 1/4 FM Bsp (2)	1					3
1	26.0754.61	Fitting -AR7, 1/4 F-3/8 F Bsp (3)	1					3
1	26.0756.61	Fitting -AR7, 1/4 F-3/8 M Bsp (4)	1					1
2	14.3562.05	Washer, 6x11x1 mm Cu	1					10
3	26.0751.22	Hand nut -AR7, 1/2F Bsp 14mm black	1					5
4	26.0753.31	Plug-AR7, 11mm-1/4M Bsp brass	1					5
5	10.3175.10	O-ring, 2,62x10,77 mm Vi 70	1					10
6	26.0704.31	Fitting, 1/2 M -1/4 F Bsp brass (5)	1					5
6	26.0702.31	Fitting, 1/2 M -1/4 M Bsp brass	1					5
6	26.0703.31	Fitting, 1/2 M -3/8 F Bsp brass	1					5
6	26.0701.31	Fitting, 1/2 M-3/8 M Bsp brass	1					5

(1) 26.0750.20 (2) 26.0750.30 (3) 26.0750.40 (4) 26.0750.50 (5) 26.0700.20

26.0900.00 ARG B M22 rot.screw-type coupl.1/4M Bsp

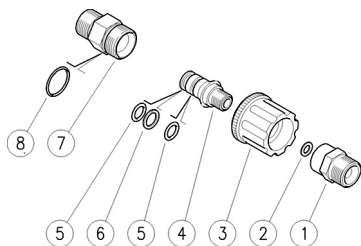


26.0910.00 ARG B M22 rot.screw-type coupl.-A M22

Pos.	P/N	Description	Q.ty	K1	K2	K3	K4	
1	10.3109.95	O-ring, 2,4x9,3 mm Vi 70	1					25
2	10.4010.01	Back-up ring,10,2x13,9x1,2mm	1					50
3	26.0911.31	Plug -ARG, 14mm-1/4M Bsp brass	1					1
4	26.0912.85	Bushing, 13x20x15 mm PTFE	1					3
5	26.0913.22	Hand nut -ARG, M22x1,5-13mm black	1					1
6	26.0002.31	AR1 A M22 screw-tyr.nipp.1/4F Bsp (1)	1					25

(1) 26.0910.00

26.0940.40 AR9 A M24 15mm screw.nippl.,sst-3/8F Bsp
 26.0940.50 AR9 A M24 15mm screw.nippl.,sst-3/8M Bsp
 26.0940.70 AR9 A M24 15mm screw.nippl.,sst-1/2M Bsp
 26.0950.30 AR9 B M24-3pcs 15mm scr.cpl,sst-1/4M Bsp

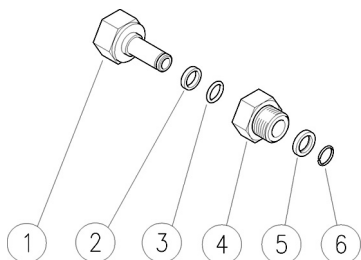


26.0950.40 AR9 B M24,3pcs 15mm scr.cpl,sst-3/8F Bsp
 26.0950.50 AR9 B M24-3pcs 15mm scr.cpl,sst-3/8M Bsp
 26.0950.70 AR9 B M24,3pcs 15mm scr.cpl,sst-1/2M Bsp

Pos.	P/N	Description	Q.ty	K1	K2	K3	K4	
1	26.0956.51	Reduct.sst M16x1F -1/4M Bsp (1)	1					2
1	26.0953.51	Reduct.sst M16x1F Ermeto 1/2 Bsp M (2)	1					2
1	26.0954.51	Reduct.sst M16x1F -3/8F Bsp (3)	1					2
1	26.0955.51	Reduct.sst M16x1F -3/8M Bsp (4)	1					2
2	14.3713.00	Washer, 9x13x1,5 mm Cu	1					10
3	26.0951.22	Hand nut -AR9, M24x1,5-17,5mm red	1					3
4	26.0952.51	Plug, 15mm-M16x1 Sst.	1					1
5	10.3110.10	O-ring, 2,4x10,3 mm Ni 85	2					10
6	10.4011.01	Back-up ring, 11,2x14,9x1,2 mm	1					10
7	26.0940.40	AR9 A M24 15mm screw.nippl.,sst-3/8F Bsp (5)	1					10
7	26.0940.50	AR9 A M24 15mm screw.nippl.,sst-3/8M Bsp (6)	1					10
7	26.0940.70	AR9 A M24 15mm screw.nippl.,sst-1/2M Bsp (7)	1					10
8	10.3185.00	O-ring, 2,5x20 mm	1					10

(1) 26.0950.30 (2) 26.0950.70 (3) 26.0950.40 (4) 26.0950.50 (5) 26.0940.40
 (6) 26.0940.50 (7) 26.0940.70

26.1000.00 LR Swivel,brass 3/8MF Bsp
 26.1000.05 LR Swivel,brass 3/8M-1/4F Bsp

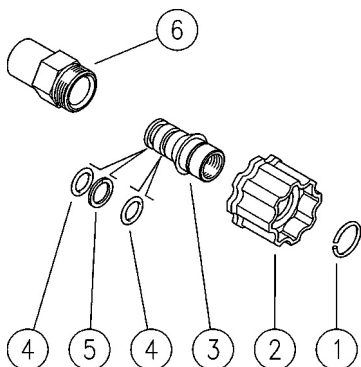


26.1000.10 LR Swivel,brass 3/8MF Npt

Pos.	P/N	Description	Q.ty	K1	K2	K3	K4	
1	26.1006.31	Fitting -LR, 3/8F Bsp brass	1					10
1	26.1007.31	Fitting -LR, 1/4F Bsp brass (1)	1					5
1	26.1004.31	Fitting -LR, 3/8F Npt brass (2)	1					5
2	10.4009.00	Back-up ring, 9,5x12x2 mm	1					10
3	10.3057.00	O-ring, 1,78x9,25 mm	1					10
4	26.1008.31	Fitting -LR, 3/8M Bsp brass	1					5
4	26.1003.31	Fitting -LR, 3/8M Npt brass (2)	1					5
5	26.1002.31	Shim ring, 9,5x13,5x3 mm brass	1					10
6	26.1001.51	Snap ring, 0,9x8,6 mm Sst.	1					10

(1) 26.1000.05 (2) 26.1000.10

26.1025.00 AR5 B M22 2pcs rot.scr.cpl,sst-1/2M Bsp
 26.1028.00 AR5 B M22 2pcs screw.coupl.-1/4F Bsp
 26.1029.00 AR5 B M22 2pcs rot.screw.cpl.,-1/2M Bsp

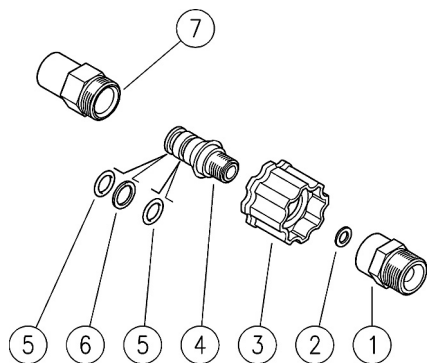


26.1032.31 AR5 A M22 screw-type nipple-1/4F Bsp
 26.1035.00 AR5 B M22 2pcs screw.coupl.-3/8M Bsp

Pos.	P/N	Description	Q.ty	K1	K2	K3	K4	
1	26.0252.51	Snap ring, 1,5x15,5 mm Sst.	1					10
2	26.0260.22	Hand nut, M22x1,5 - 17,5mm black	1					10
2	26.0101.22	Hand nut, M22x1,5 - 15,5mm black (1)	1					25
2	26.0101.22	Hand nut, M22x1,5 - 15,5mm black (2)	1					25
3	26.1038.31	Plug +2 O-rings, 14mm-1/4F Bsp brass (3)	1					10
3	26.1031.51	Plug +2 O-rings, 14mm-1/4M Bsp Sst. (1)	1					10
3	26.1031.31	Plug +2 O-rings, 14mm-1/4M Bsp brass (2)	1					10
3	26.1036.31	Plug +2 O-rings, 14mm-3/8M Bsp brass (4)	1					5
4	10.3109.95	O-ring, 2,4x9,3 mm Vi 70	2					25
5	10.4010.01	Back-up ring,10,2x13,9x1,2mm	1					50
6	26.1032.31	AR5 A M22 screw-type nipple-1/4F Bsp	1					25
6	26.1020.31	AR5 A M22 screw-type npl.1/4M Bsp	1					25
6	26.1037.31	AR5 A M22 screw-type nipple-3/8F Bsp	1					25
6	26.1019.31	AR5 A M22 screw-type nipple-3/8M Bsp	1					25

(1) 26.1025.00 (2) 26.1029.00 (3) 26.1028.00 (4) 26.1035.00

- 26.1019.31 AR5 A M22 screw-type nipple-3/8M Bsp
- 26.1020.31 AR5 A M22 screw-type npl.1/4M Bsp
- 26.1033.00 AR5 B M22 3pcs rot.screw.coupl.-3/8F Bsp

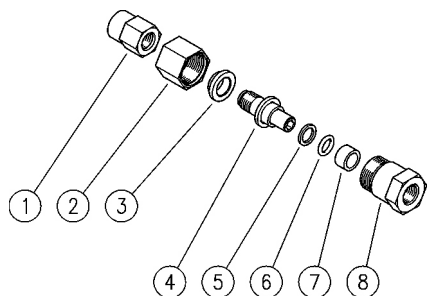


- 26.1034.00 AR5 B M22 3pcs rot.screw.coupl.-3/8M Bsp
- 26.1034.20 AR5 B M22 3pcs rot.screw.coupl.-1/4F Bsp
- 26.1034.50 AR5 B M22 3pcs rot.screw.coupl.-1/4M Bsp

Pos.	P/N	Description	Q.ty	K1	K2	K3	K4	
1	26.0040.31	Coupling, 1/4 F-1/4 F Bsp brass (1)	1					10
1	26.0007.31	Coupling, 1/4 MF Bsp brass (2)	1					10
1	26.0037.31	Coupling, 3/8 F-1/4 F Bsp brass (3)	1					25
1	26.0036.31	Coupling, 3/8 M-1/4 F Bsp brass (4)	1					10
2	14.3562.05	Washer, 6x11x1 mm Cu	1					10
3	26.0101.22	Hand nut, M22x1,5 - 15,5mm black	1					25
4	26.1031.31	Plug +2 O-rings, 14mm-1/4M Bsp brass	1					10
5	10.3109.95	O-ring, 2,4x9,3 mm Vi 70	2					25
6	10.4010.01	Back-up ring,10,2x13,9x1,2mm	1					50
7	26.1032.31	AR5 A M22 screw-type nipple-1/4F Bsp	1					25
7	26.1020.31	AR5 A M22 screw-type npl.1/4M Bsp	1					25
7	26.1037.31	AR5 A M22 screw-type nipple-3/8F Bsp	1					25
7	26.1019.31	AR5 A M22 screw-type nipple-3/8M Bsp	1					25

(1) 26.1034.20 (2) 26.1034.50 (3) 26.1033.00 (4) 26.1034.00

- 26.1040.00 MR-O Swivel, brass 1/4 MF Bsp
- 26.1050.00 MR-O Swivel, brass 3/8 MF Bsp 60° con.



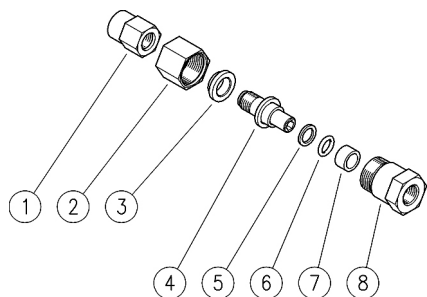
- 26.1055.00 MR-O Swivel, brass 1/2 MF Bsp

Pos.	P/N	Description	Q.ty	K1	K2	K3	K4	
1	26.1049.31	1/4 Bsp M back fitting -60° cone (1)	1					10
1	26.1101.31	Back cpl.,M12x1,25F-3/8M Bsp c/sunk brs (2)	1					10
1	26.1057.31	Back coupling, M12x1,25F-1/2M Bsp brs (3)	1					10
2	26.1042.31	Ring nut, M22x1 brass	1					10
3	26.1045.84	Bushing, 12x20x6 mm Plast.	1	•	•			5
4	26.1041.31	Pin, M12x1,25 brass	1					10
5	10.4010.01	Back-up ring,10,2x13,9x1,2mm	1	•	•			50
6	10.3109.95	O-ring, 2,4x9,3 mm Vi 70	1	•	•			25
7	26.1046.84	Bushing, 10x14x7 mm Plast.	1	•	•			5
8	26.1044.31	Front coupling, M22x1M-1/4F Bsp brass (1)	1					10
8	26.1051.31	Front coupling, M22x1M-3/8F Bsp brass (2)	1					10
8	26.1056.31	Front coupling, M22x1M-1/2F Bsp brass (3)	1					10

Kit	P/N	Description	
K1	26.1053.24	Spares kit -MR, 4x1pcs.	1
K2	26.1048.24	Spares kit -MR, 4x10pcs.	1

(1) 26.1040.00 (2) 26.1050.00 (3) 26.1055.00

- 26.1060.00 MR-I Swivel, sst 1/4 MF Bsp
- 26.1060.50 MR-I Swivel, sst 1/4 MF Npt



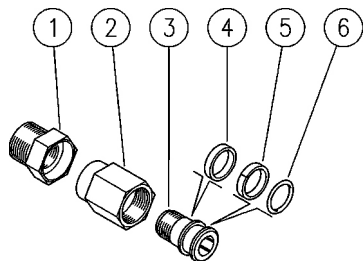
- 26.1061.00 MR-I Swivel, sst 3/8 MF Bsp
- 26.1061.50 MR-I Swivel, sst 3/8 MF Npt

Pos.	P/N	Description	Q.ty	K1	K2	K3	K4	
1	26.1043.51	Coupling, M12F-1/4M Bsp Sst. (1)	1					10
1	26.1066.51	Back coupling, M12x1,25F-1/4M Npt Sst.	1					10
1	26.1101.51	Back cpl.,M12x1,25F-3/8M Bsp c/sunk Sst (2)	1					5
1	26.1068.51	Back coupling, M12F-3/8M Npt Sst. (3)	1					10
2	26.1042.51	Ring nut, M22x1 Sst.	1					5
3	26.1045.84	Bushing, 12x20x6 mm Plast.	1	•	•			5
4	26.1041.51	Pin, M12x1,25 Sst.	1					5
5	10.4010.01	Back-up ring,10,2x13,9x1,2mm	1	•	•			50
6	10.3109.95	O-ring, 2,4x9,3 mm Vi 70	1	•	•			25
7	26.1046.84	Bushing, 10x14x7 mm Plast.	1	•	•			5
8	26.1044.51	Front coupling, M22x1M-1/4F Bsp Sst. (1)	1					1
8	26.1065.51	Front coupling, M22x1M-1/4F Npt Sst. (4)	1					10
8	26.1051.51	Front coupling, M22x1M-3/8F Bsp Sst. (2)	1					10
8	26.1067.51	Front coupling, M22x1M-3/8F Npt Sst.	1					10

Kit	P/N	Description	
K1	26.1053.24	Spares kit -MR, 4x1pcs.	1
K2	26.1048.24	Spares kit -MR, 4x10pcs.	1

(1) 26.1060.00 (2) 26.1061.00 (3) 26.1061.50 (4) 26.1060.50

26.1070.00 SW5 Swivel,sst 1/2 MF Bsp -large flow



26.1080.00 SW5 Swivel,brass 1/2 MF Bsp -large flow

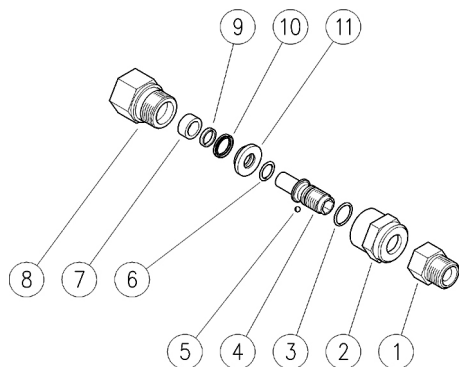
Pos.	P/N	Description	Q.ty	K1	K2	K3	K4	
1	26.1071.31	Coupling, 1/2M Bsp-M15x1F brass (1)	1					10
1	26.1071.51	Coupling, 1/2M-M15x1F Sst. (2)	1					5
2	26.1073.31	Coupling, 1/2F Bsp brass (1)	1					5
2	26.1073.51	Coupling, 1/2F Bsp Sst. (2)	1					5
3	26.1072.31	Pin, M15x1-19 mm brass (1)	1					10
3	26.1072.51	Pin, M15x1-19 mm Sst. (2)	1					5
4	26.1074.85	Bushing, 15,5x19x4 mm PTFE	1					5
5	26.1075.85	Bushing, open 15,5x19x4 mm PTFE	1					5
6	10.3092.10	O-ring, 2x15 mm Vi 70	1					10

(1) 26.1080.00 (2) 26.1070.00

26.1200.20 SW25 Swivel,ball-bear. 1/4 FM Bsp

26.1200.22 SW25 Swivel,ball-bear. 3/8M-1/4F Bsp

26.1200.28 SW25 Swivel,ball-bear. 3/8F-1/4F Bsp



26.1200.40 SW25 Swivel,ball-bear. 3/8 MF Bsp

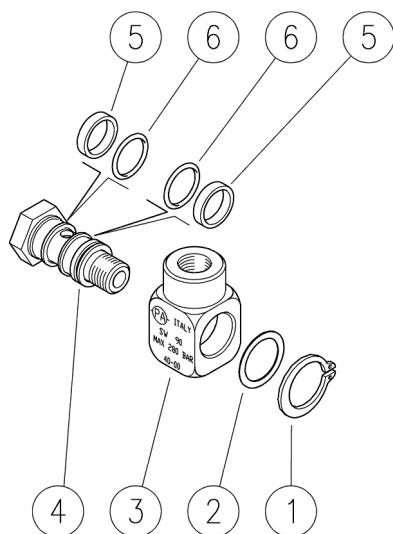
26.1200.45 SW25 Swivel,ball-bearing 3/8 FF Bsp

Pos.	P/N	Description	Q.ty	K1	K2	K3	K4	
1	26.1206.31	Coupl., M12x1F-1/4M Bsp c/sunk brass (1)	1					5
1	26.1203.31	Coupl., M12x1F-3/8M Bsp c/sunk brass (2)	1					5
1	26.1208.31	Coupling, M12x1F-3/8F Bsp brass (3)	1					5
1	26.1203.31	Coupl., M12x1F-3/8M Bsp c/sunk brass (4)	1					5
1	26.1208.31	Coupling, M12x1F-3/8F Bsp brass (5)	1					5
2	26.1202.51	Ring nut, M20x1 Sst.	1					5
3	10.3005.00	O-ring, 1x10 mm Ni 85	1					10
4	26.1204.51	Pin, 9mm-M12x1 M Sst.	1					5
5	14.7403.00	Ball, 3 mm Sst.	13					10
6	10.3056.01	O-ring, 1,78x8,74 mm Ni 85	1					10
7	30.0728.84	Bushing, 9x13x6 mm plast. black	1					10
8	26.1207.31	Coupling, M20x1M-1/4F Bsp brass (1)	1					5
8	26.1207.31	Coupling, M20x1M-1/4F Bsp brass (2)	1					5
8	26.1207.31	Coupling, M20x1M-1/4F Bsp brass (3)	1					5
8	26.1201.31	Coupling, 3/8FBsp-M20x1M brass (4)	1					5
8	26.1201.31	Coupling, 3/8FBsp-M20x1M brass (5)	1					5
9	10.4155.00	Stem seal, 9x11x2 mm	1					10
10	10.3402.10	O-ring 1,78x10,82 mm Vi 85	1					10
11	26.1205.31	Shim ring, 9x18,4x5,6 mm brass	1					10

(1) 26.1200.20 (2) 26.1200.22 (3) 26.1200.28 (4) 26.1200.40 (5) 26.1200.45

26.1300.20 SW90 Swivel 90°, sst, 1/4 MF Bsp

26.1300.40 SW90 Swivel 90°, sst, 3/8 MF Bsp



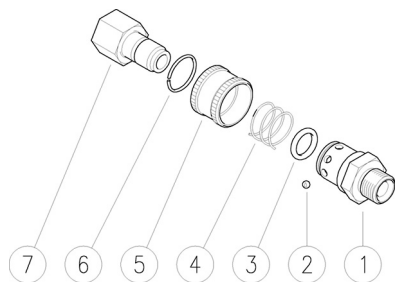
26.1300.42 SW90 Swivel 90°, sst, 1/4F-3/8M Bsp

Pos.	P/N	Description	Q.ty	K1	K2	K3	K4	
1	10.1003.00	Snap ring, E 18 Sst.	1					5
2	14.4048.00	Washer, 18,3x24x0,5 mm Sst.	1					10
3	26.1301.31	Housing -SW90, 1/4F Bsp (1)	1					5
3	26.1301.31	Housing -SW90, 1/4F Bsp (2)	1					5
3	26.1303.31	Housing -SW90, 3/8F Bsp (3)	1					3
4	26.1302.51	Pierced screw,1/4M Bsp Sst. (1)	1					3
4	26.1304.51	Pierced screw, 3/8M Bsp Sst. (3)	1					3
4	26.1304.51	Pierced screw, 3/8M Bsp Sst. (2)	1					3
5	10.4083.00	Back-up ring, opn. 14,7x18x,4 mm	2					10
6	10.3091.10	O-ring, 2x14 mm Vi 70	2					10

Kit	P/N	Description	
K1	26.1305.24	Spares kit -Sw90, 3x1pcs.	1

(1) 26.1300.20 (2) 26.1300.42 (3) 26.1300.40

- 26.2010.00 ARS250 B ball-type coupler 3/8M Bsp
- 26.2010.10 ARS250 B ball-type coupler 3/8F Bsp
- 26.2010.20 ARS250 B ball-type coupler 1/4F Bsp
- 26.2010.30 ARS250 B ball-type coupler 1/2F Bsp



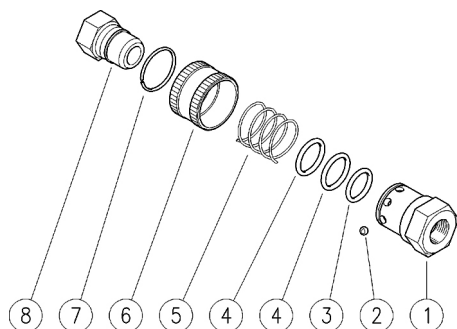
- 26.2015.61 ARS250 A ball-type nipple 3/8F Bsp
- 26.2016.61 ARS250 A ball-type nipple 1/4F Bsp
- 26.2023.61 ARS250 A ball-type nipple 3/8M Bsp
- 26.2024.61 ARS250 A ball-type nipple 1/2M Bsp

Pos.	P/N	Description	Q.ty	K1	K2	K3	K4	
1	26.2011.31	Housing -ARS250, 3/8M Bsp (1)	1					5
1	26.2021.31	Housing -ARS250, 3/8F Bsp (2)	1					5
1	26.2022.31	Housing -ARS250, 1/4F Bsp (3)	1					5
1	26.2025.31	Housing -ARS250, 1/2F Bsp (4)	1					5
2	14.7405.00	Ball, 5/32" Sst.	8	•				10
3	10.3177.00	O-ring, 2,62x12,37 mm	1	•				10
4	26.2012.51	Spring, 1,3x22x13mm Sst.	1	•				10
5	26.2013.31	Ring nut, ARS250	1	•				5
6	26.2014.51	Snap ring, 1,2x19 mm Sst.	1					10
7	26.2015.61	ARS250 A ball-type nipple 3/8F Bsp	1					25
7	26.2016.61	ARS250 A ball-type nipple 1/4F Bsp	1					25
7	26.2023.61	ARS250 A ball-type nipple 3/8M Bsp	1					25
7	26.2024.61	ARS250 A ball-type nipple 1/2M Bsp	1					25

Kit	P/N	Description	
K1	26.2017.24	Spares kit -ARS250, 4x10pcs.	1

(1) 26.2010.00 (2) 26.2010.10 (3) 26.2010.20 (4) 26.2010.30

- 26.2030.00 ARS220 B ball-type coupler 3/8F Bsp
- 26.2030.20 ARS220 B ball-type coupler 1/4F Bsp
- 26.2030.25 ARS220 B ball-type coupler 1/4M Bsp
- 26.2030.80 ARS220 B ball-type coupler M22 F



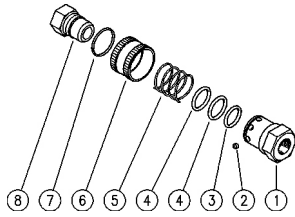
- 26.2035.61 ARS220 A ball-type nipple,nick.pl.,3/8F Bsp
- 26.2040.61 ARS220 A ball-typ.nipple,n.pl.,1/4FBsp
- 26.2045.61 ARS220 A ball-type nipple,nick.pl.,1/4M Bsp

Pos.	P/N	Description	Q.ty	K1	K2	K3	K4	
1	26.2041.31	Housing -ARS220, 1/4F Bsp (1)	1					5
1	26.2039.31	Housing -ARS220, 1/4M Bsp (2)	1					5
1	26.2031.31	Housing -ARS220, 3/8F Bsp (3)	1					5
1	26.2042.31	Housing -ARS220, M22 F (4)	1					5
2	14.7410.10	Ball, 3/16" Sst. (4)	8	•				10
3	10.3182.00	O-ring, 2,62x17,96 mm	1	•				10
4	10.3185.00	O-ring, 2,5x20 mm	2	•				10
5	26.2033.51	Spring, 1,4x29,1x25 mm Sst.	1					10
6	26.2032.31	Ring nut, ARS220	1					5
7	26.2034.51	Snap ring, 1,4x26 mm Sst.	1					3
8	26.2035.61	ARS220 A ball-type nipple,nick.pl.,3/8F Bsp	1					25
8	26.2040.61	ARS220 A ball-typ.nipple,n.pl.,1/4FBsp	1					25
8	26.2045.61	ARS220 A ball-type nipple,nick.pl.,1/4M Bsp	1					25

Kit	P/N	Description	
K1	26.2036.24	Spares kit -ARS220 3x10pcs.	1

(1) 26.2030.20 (2) 26.2030.25 (3) 26.2030.00 (4) 26.2030.80

- 26.2035.51 ARS350 A ball-type nipple,sst,3/8F Bsp
- 26.2040.51 ARS350 A ball-type nipple,sst,1/4F Bsp
- 26.2045.51 ARS350 A ball-type nipple,sst,1/4M Bsp

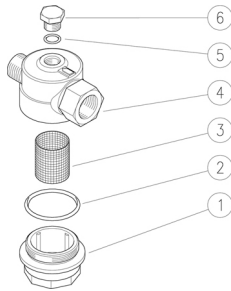


- 26.2050.00 ARS350 B ball-type coupler,sst,3/8F Bsp
- 26.2050.20 ARS350 B ball-type coupler,sst,1/4 F Bsp
- 26.2050.25 ARS350 B ball-type coupler,sst,1/4 M Bsp

Pos.	P/N	Description	Q.ty	K1	K2	K3	K4	
1	26.2038.51	Housing -ARS350, 1/4F Bsp Sst. (1)	1					5
1	26.2037.51	Housing -ARS350, 1/4M Bsp Sst. (2)	1					5
1	26.2031.51	Housing -ARS350, 3/8F Bsp Sst. (3)	1					5
2	14.7410.10	Ball, 3/16" Sst.	8					10
3	10.3181.95	O-ring, 2,62x17,96 mm Vi 70	1					10
4	10.3195.10	O-ring, 2,5x20 mm Vi 70	2					10
5	26.2033.51	Spring, 1,4x29,1x25 mm Sst.	1					10
6	26.2032.51	Ring nut, ARS350 Sst.	1					5
7	26.2034.51	Snap ring, 1,4x26 mm Sst.	1					3
8	26.2035.51	ARS350 A ball-type nipple,sst,3/8F Bsp	1					25
8	26.2040.51	ARS350 A ball-type nipple,sst,1/4F Bsp	1					25
8	26.2045.51	ARS350 A ball-type nipple,sst,1/4M Bsp	1					25

(1) 26.2050.20 (2) 26.2050.25 (3) 26.2050.00

28.0010.00 FA1 Strainer,alum.1/2MF Bsp-38Mesh



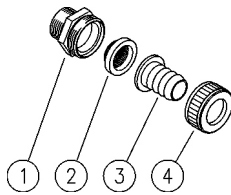
28.0010.20 FA1 Strainer,alum.1/2MF Bsp-86Mesh

Pos.	P/N	Description	Q.ty	K1	K2	K3	K4	
1	28.0011.44	Plug, M42x1,5 Alum.	1					2
2	10.3209.00	O-ring, 2,62x39,34 mm	1					10
3	28.0014.53	Net, 38mesh-400µm Sst. (1)	1					10
3	28.0015.53	Net, 86mesh-850µm Sst. (2)	1					10
4	28.0012.44	Housing -FA1 Strainer, Alum.	1					1
5	10.3058.01	O-ring, 1,78x10,82 mm	1					10
6	28.0013.31	Plug, brass 1/4 Bsp	1					25

(1) 28.0010.00 (2) 28.0010.20

28.0035.00 Strainer 3/8M Bsp+17mm h.barb

28.0040.00 Strainer 1/2M Bsp+17mm h.barb



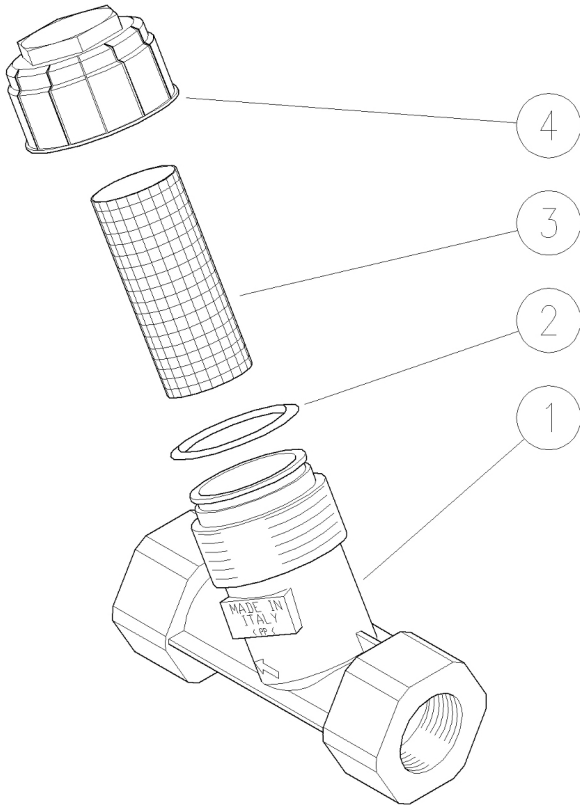
28.0042.00 Strainer 1/2M Bsp+19mm h.barb

28.0047.00 Strainer 3/8M Bsp+19mm h.barb

Pos.	P/N	Description	Q.ty	K1	K2	K3	K4	
1	28.0036.31	Coupling, 3/8M-3/4M Bsp brass	1					10
1	28.0041.31	Coupling, 1/2M-3/4M Bsp brass (1,2)	1					10
2	28.0024.22	Suction rose, Sst.	1					25
3	28.0031.31	17 mm hose barb	1					10
3	28.0048.31	19 mm hose barb (2,3)	1					10
4	28.0037.31	Hand nut, 3/4F Bsp - 17,5 mm brass	1					10
4	28.0039.31	Hand nut, 3/4F Bsp - 20,8 mm brass (2,3)	1					10

(1) 28.0040.00 (2) 28.0042.00 (3) 28.0047.00

15.0004.02 FY5 Y-strainer,plast,black 1" FF Bsp

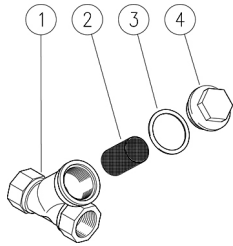


15.0004.12 FY5 Y-strainer,plast,black 3/4 FF Bsp

Pos.	P/N	Description	Q.ty	K1	K2	K3	K4	
1	13.0004.11	Y-strainer housing, 3/4FF Bsp PP black (1)	1					1
1	13.0004.01	Y-strainer housing, 1"Bsp FF PP black (2)	1					2
2	10.3100.00	O-ring, 2x35,5 mm	1					10
3	12.0070.14	Net, 28x65mm 50mesh-300µm Sst.	1					5
4	13.0004.22	Y-strainer plug, PP black	1					3

(1) 15.0004.12 (2) 15.0004.02

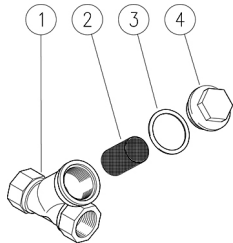
28.0160.00 FYO Y-strainer,brass+sst,3/8 FF Bsp



Pos.	P/N	Description	Q.ty	K1	K2	K3	K4	
1	28.0166.35	Y-strainer housing, 3/8Bsp FF brass (1)	1					3
2	28.0168.53	Net, 17,5x30mm 45mesh-400µm Sst.	1					5
3	14.4061.00	Seal, 24x30x0,8 mm	1					10
4	28.0173.31	Plug, M24x1,25 brass	1					3

(1) 28.0160.00

28.0162.00 FYO Y-strainer,brass+sst,1/2 FF Bsp

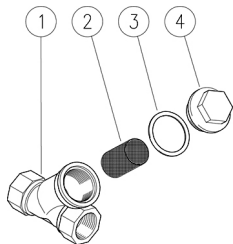


28.0162.50 FYO Y-strainer,brass+sst,1/2 FF Npt

Pos.	P/N	Description	Q.ty	K1	K2	K3	K4	
1	28.0169.35	Y-strainer housing, 1/2 Bsp FF brass (1)	1					3
1	28.0170.35	Y-strainer housing, 1/2Npt FF brass (2)	1					3
2	28.0168.53	Net, 17,5x30mm 45mesh-400µm Sst.	1					5
3	14.4061.00	Seal, 24x30x0,8 mm	1					10
4	28.0173.31	Plug, M24x1,25 brass	1					3

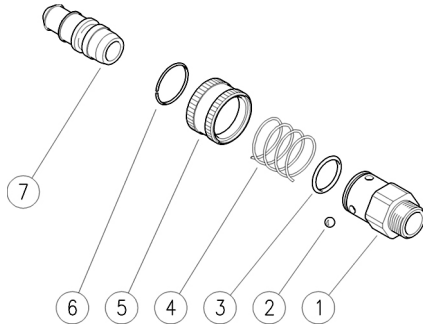
(1) 28.0162.00 (2) 28.0162.50

28.0164.00 FYO Y-strainer,brass+sst,3/4 FF Bsp



Pos.	P/N	Description	Q.ty	K1	K2	K3	K4	
1	28.0172.35	Y-strainer housing, 3/4 Bsp FF brass	1					3
2	28.0171.53	Net, 24x40mm 45mesh-400µm Sst.	1					5
3	14.4066.00	Washer, 31x37x0,9 mm	1					10
4	28.0174.31	Plug, M31x1,25 brass	1					3

28.0250.00 Ball-type coupler, 22mm 1/2M Bsp
28.0250.30 Ball-type coupler, 22mm 3/4M Bsp

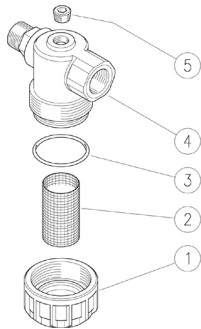


28.0250.40 Ball-type coupler, 22mm 3/4F Bsp
28.0255.31 Ball-type coupler, 22mm-17-19mm h.barb

Pos.	P/N	Description	Q.ty	K1	K2	K3	K4	
1	28.0251.31	Housing, 1/2M Bsp (1)	1					5
1	28.0253.31	Housing, 3/4M Bsp (2)	1					5
1	28.0254.31	Housing, 3/4F Bsp (3)	1					5
2	14.7410.10	Ball, 3/16" Sst.	3					10
3	10.3185.00	O-ring, 2,5x20 mm	1					10
4	26.2033.51	Spring, 1,4x29,1x25 mm Sst.	1					10
5	28.0252.31	Ring Nut -AR.AS	1					5
6	26.2034.51	Snap ring, 1,4x26 mm Sst.	1					3
7	28.0255.31	Ball-type coupler, 22mm-17-19mm h.barb	1					25

(1) 28.0250.00 (2) 28.0250.30 (3) 28.0250.40

28.0300.00 F5-Suct.strainer, 1/2FM Bsp/t
28.0300.20 F5-Suct.strainer, 1/2FF Bsp
28.0350.00 F5 B-Suct.strainer, 1/2 Bsp/t FM+byp.1/4F

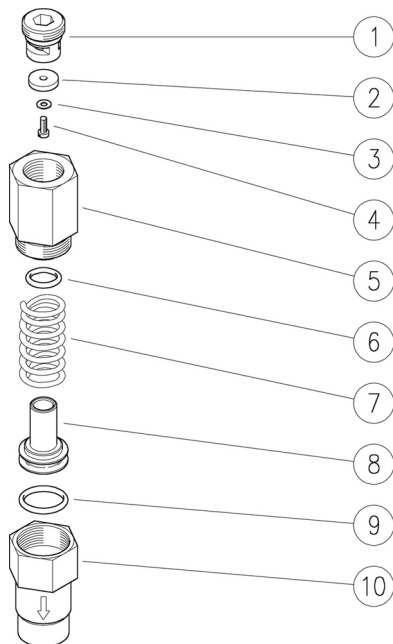


28.0350.20 F5 B-Suct.strainer, 1/2FF+byp. 1/4F Bsp
28.0360.00 F5 Bn-Suct.strain., strng., 1/2Bsp/t FM+1/4F

Pos.	P/N	Description	Q.ty	K1	K2	K3	K4	
1	28.0303.84	Strainer plug, PP	1					3
1	28.0361.84	Strainer Plug PA black (1)	1					1
2	28.0306.53	Net, 27x50mm 50mesh-300µm Sst.	1					3
3	10.3105.00	O-ring, 2x38 mm	1					10
4	28.0301.22	Strainer housing, 1/2Bsp/t FM PP (2)	1					3
4	28.0302.22	Strainer housing, 1/2Bsp FF PP (3)	1					3
4	28.0351.22	Strain.housing, 1/2 Bsp/tFM-1/4F (4)	1					5
4	28.0352.22	Strain.housing, 1/2FF-1/4F Bsp PP black (5)	1					1
4	28.0363.22	Body 1/2Bsp/t FM + 1/4 F PA black (1)	1					5
5	28.0364.31	Plug, int.hex. 1/4 Bspt brass (1)	1					10

(1) 28.0360.00 (2) 28.0300.00 (3) 28.0300.20 (4) 28.0350.00 (5) 28.0350.20

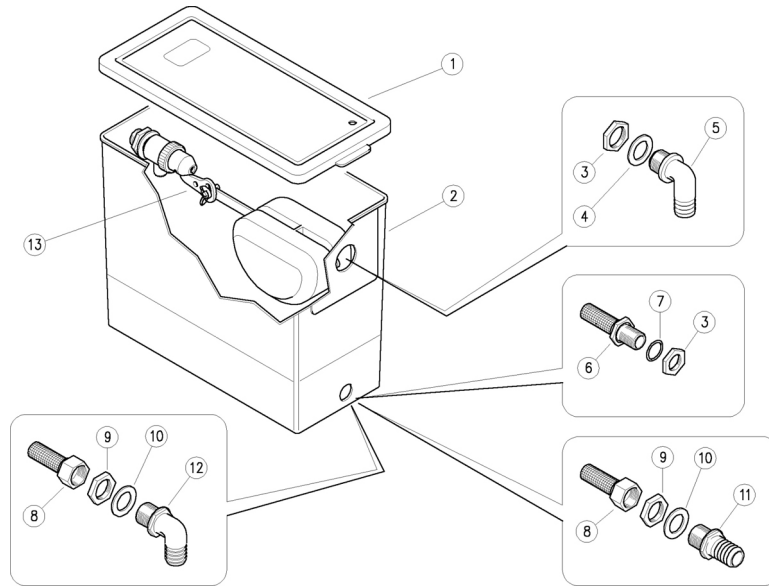
28.0700.00 RP1 Inlet pressure reducer 1/2FF Bsp



Pos.	P/N	Description	Q.ty	K1	K2	K3	K4	
1	28.0704.31	Plug, 1/2M Bsp brass	1					1
2	14.3512.00	Front seal, 3,2x14,5x3 mm PTFE	1					3
3	14.3511.00	Washer, 3,2x7x0,5 mm sst.	1					10
4	16.1827.00	Screw, DIN7985 M3X8 mm Sst.	1					10
5	28.0705.31	Coupling, 1/2M Bsp brass	1					1
6	10.3177.00	O-ring, 2,62x12,37 mm	1					10
7	28.0703.51	Spring, 1,8x22,6x26 mm Sst.	1					1
8	28.0702.31	Piston, 23,8x33 mm brass	1					1
9	10.3238.00	O-ring, 3,53x17,04 mm	1					10
10	28.0701.31	Housing -RP1, 1/2F Bsp brass	1					1

28.2020.00 Tank,3/8M Bsp +20mm h.barb,straight

28.2020.10 Tank,3/8M Bsp +20mm h.barb,bent

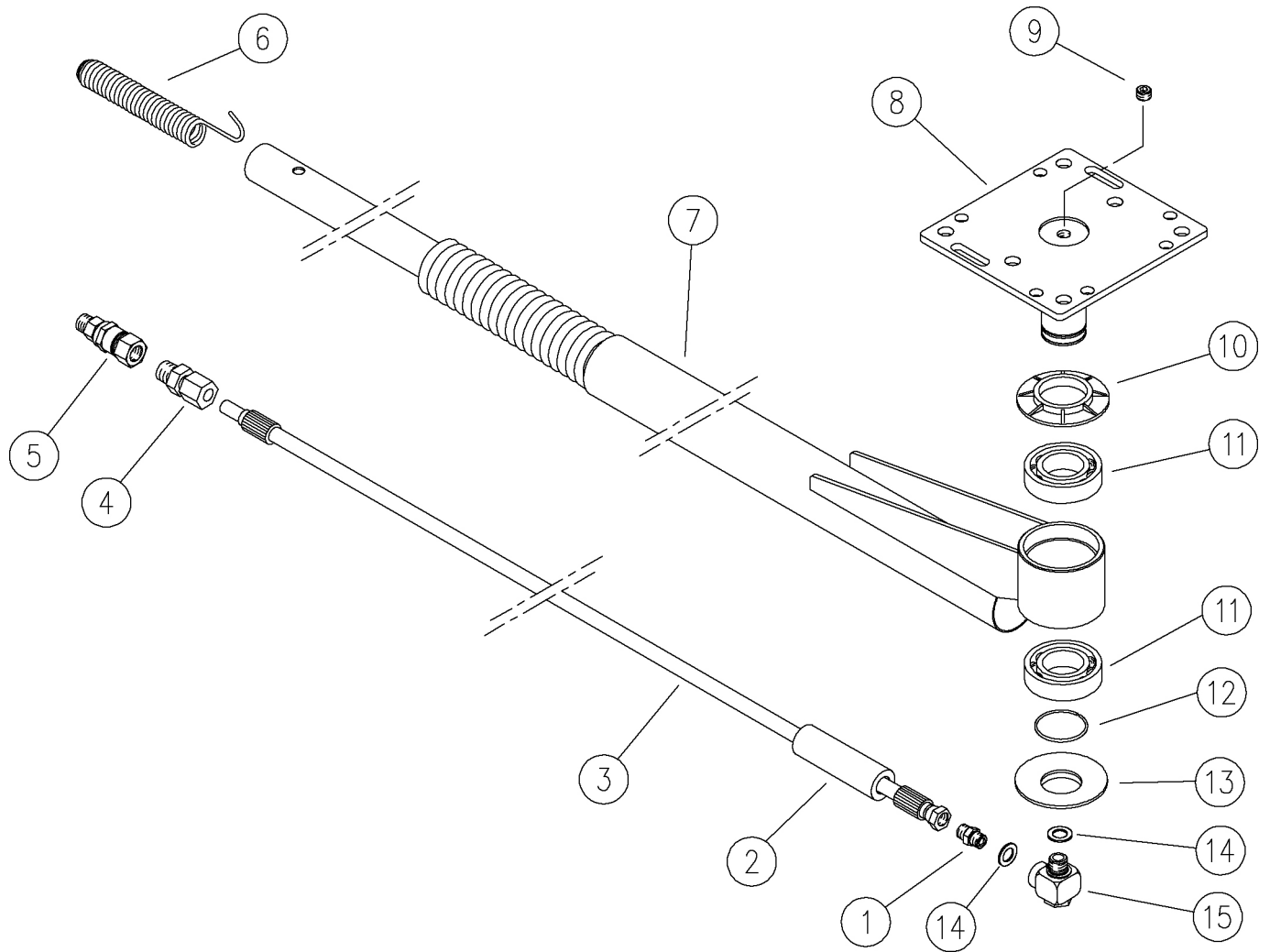


Pos.	P/N	Description	Q.ty	K1	K2	K3	K4	
1	28.2008.84	Lid for tank, PE-LD black	1					1
2	28.2005.84	Tank 4L, ports: 3/8"-1/2"-3/8" PP black	1					5
3	29.0171.31	Nut, brass, 3/8F Bsp	2					50
4	29.0176.81	Front seal, 17x28x2 mm NBR	1					10
5	28.2021.00	Elbow 3/8M Bsp M +13 mm h.barb	1					10
6	28.0080.23	Suct.strainer,brass/sst-3/8M Bsp	1					25
7	10.3068.00	O-ring, 1,78x17,17 mm	1					10

Pos.	P/N	Description	Q.ty	K1	K2	K3	K4	
8	28.2027.23	Tank strainer,brass+sst net 1/2F Bsp	1					25
9	29.0175.31	Nut, 1/2F Bsp brass	1					10
10	29.0177.81	Front seal, 19x30x2 mm black	1					10
11	13.5032.19	Nipple, plast.1/2M Bsp-20mm h.barb	1					10
12	12.2023.00	Elbow, plast, 1/2M Bsp- 20mm h.barb	1					10
13	29.0160.00	RGO Float valve,brass 3/8M Bsp	1					25

28.3000.00 BTR 1750 ceiling boom,rot.,single
 28.3020.00 BTR 2000 ceiling boom,rot.,single
 28.3025.00 BTR 2500 ceiling boom,rot.,single

28.3030.00 BTR 1600 Ceiling boom,rot.,2 springs
 28.3040.00 BTR 1200 Ceiling boom, 2 springs

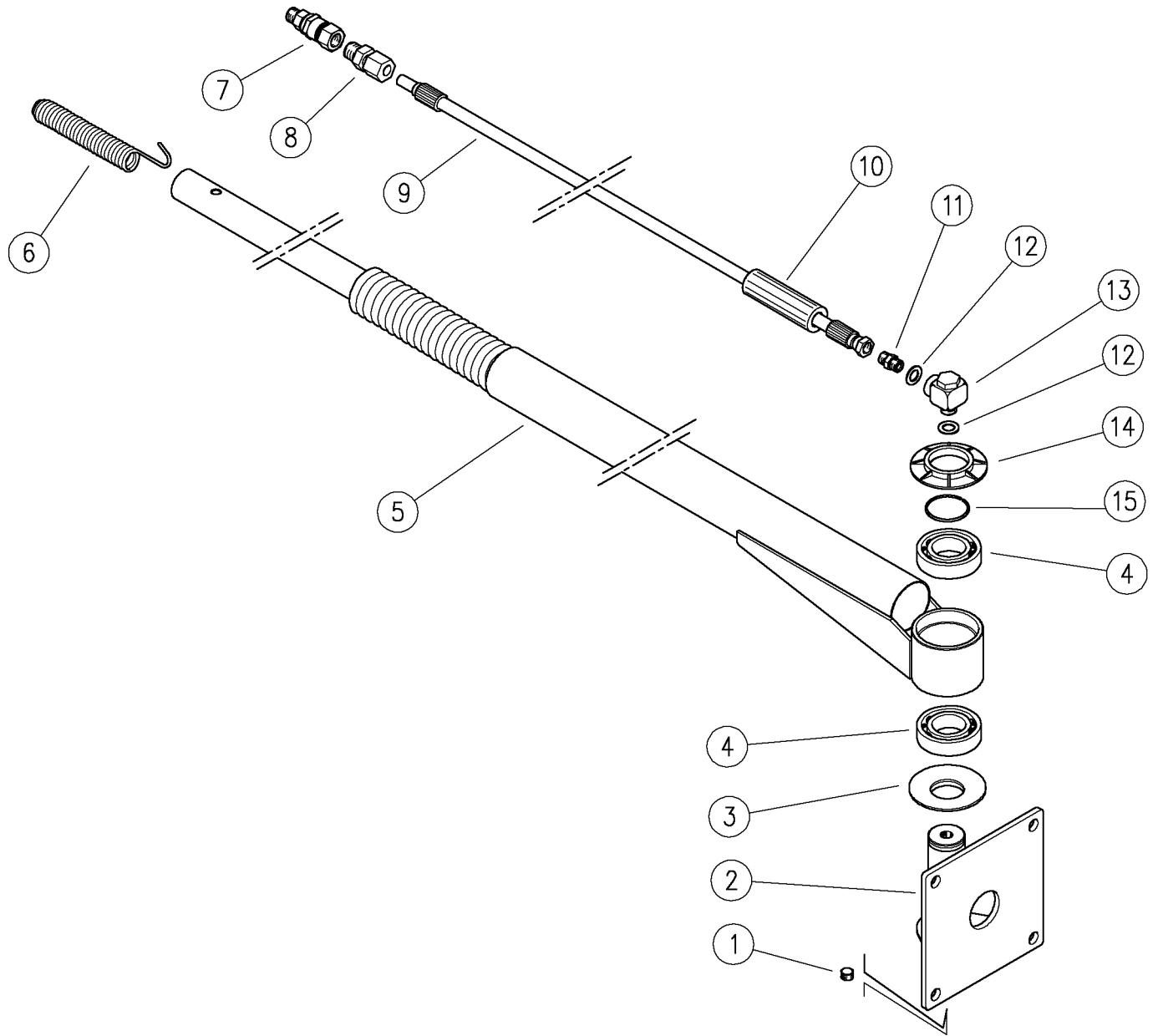


Pos.	P/N	Description	Q.ty	K1	K2	K3	K4		Pos.	P/N	Description	Q.ty	K1	K2	K3	K4	
1	13.5006.00	Nipple,z.pl. 1/4MM Bsp	1					25	7	28.3022.21	Welded boom, 2000 mm Sst. (2)	1					1
2	28.3064.85	Hose protector 120 mm	1					10	7	28.3027.21	Welded boom, 2500 mm Sst. (3)	1					1
3	16.0510.19	Hose, 1/4F Bsp-12 1,9m (1)	1					1	7	28.3112.21	Welded boom, 1600 mm Sst. (5)	1					1
3	16.0510.20	Hose, 1/4F Bsp-12 2,15m (2)	1					1	8	28.3005.21	Ceiling mount pin, Sst.	1					1
3	16.0510.25	Hose, 1/4F Bsp-12 2,65m (3)	1					1	9	28.0364.31	Plug, int.hex. 1/4 Bspt brass	1					10
3	16.0510.13	Hose, 1/4F Bsp-12 1,35m (4)	1					1	10	28.3001.84	Guard ring, PVC black	1					10
3	16.0510.17	Hose, 1/4F Bsp-12 1,75m (5)	1					1	11	11.4439.68	Ball-bearing, 40x68x15 mm - 2RS1	2					2
4	13.5023.00	Ring fitting, 3/8M Bspt-d.12F	1					5	12	28.3002.51	Snap ring, 2,5x36,8 mm Sst.	1					10
5	26.1200.40	SW25 Swivel,ball-bear. 3/8 MF Bsp	1					5	13	28.3004.84	Guard ring, PVC black	1					10
6	28.3003.51	Front spring, 150 mm Sst.	1					5	14	14.3813.22	Washer, 13,2x22x1,5 mm alu.	2					25
7	28.3012.21	Welded boom, 1750 mm Sst. (1)	1					1	15	26.1300.20	SW90 Swivel 90°, sst, 1/4 MF Bsp	1					5

(1) 28.3000.00 (2) 28.3020.00 (3) 28.3025.00 (4) 28.3040.00 (5) 28.3030.00

28.3060.00 BTAP 1750 wall mount boom, rot.

28.3060.25 BTAP 2500 wall mount boom, rot.

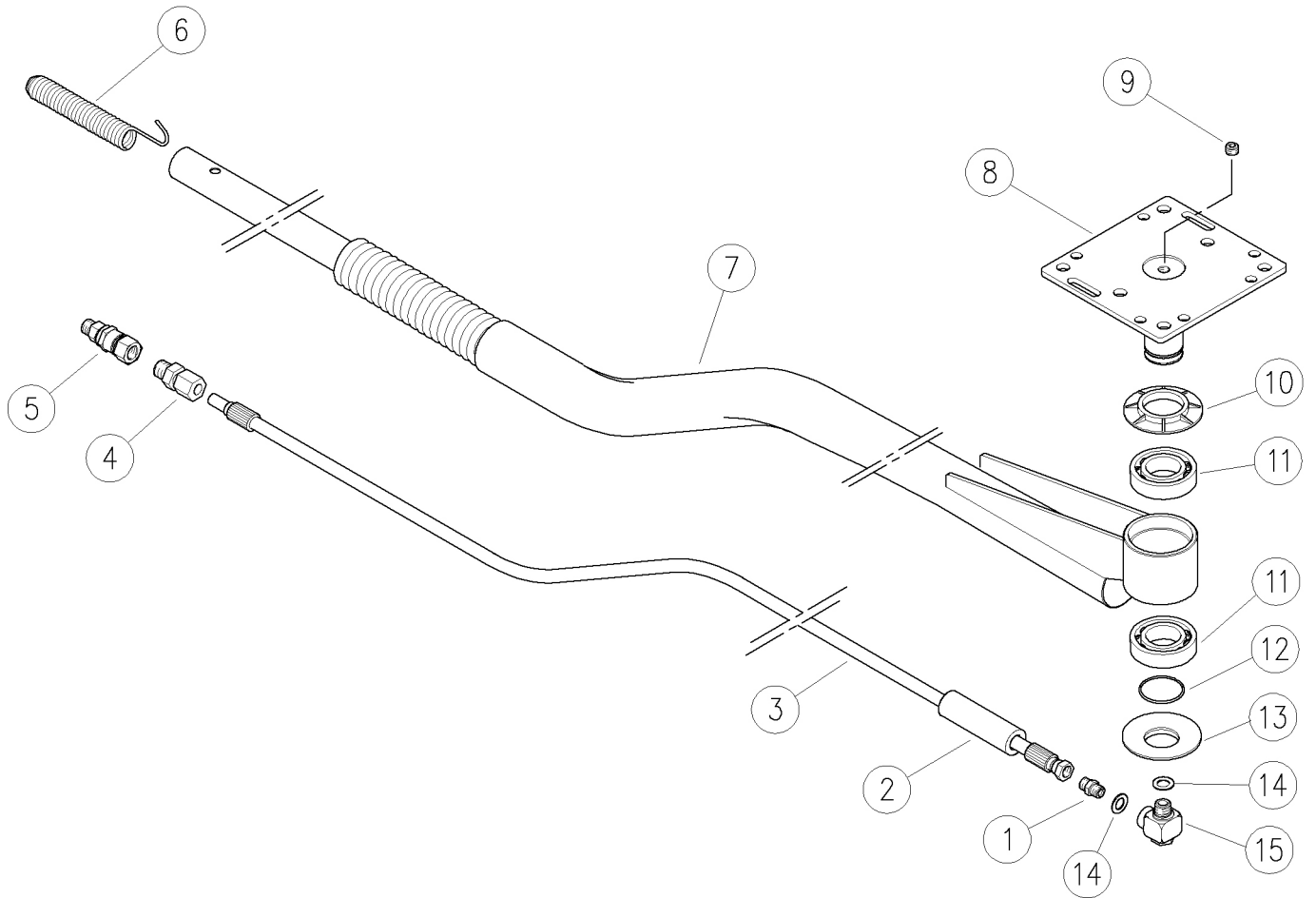


Pos.	P/N	Description	Q.ty	K1	K2	K3	K4
1	28.0364.31	Plug, int.hex. 1/4 Bsp/ brass	1				10
2	28.3061.21	Wall mount pin, Sst.	1				1
3	28.3001.84	Guard ring, PVC black	1				10
4	11.4439.68	Ball-bearing, 40x68x15 mm - 2RS1	2				2
5	28.3012.21	Welded boom, 1750 mm Sst. (1)	1				1
5	28.3027.21	Welded boom, 2500 mm Sst. (2)	1				1
6	28.3003.51	Front spring, 150 mm Sst.	1				5
7	26.1200.40	SW25 Swivel,ball-bear. 3/8 MF Bsp	1				5
8	13.5023.00	Ring fitting, 3/8M Bsp/d.12F	1				5

Pos.	P/N	Description	Q.ty	K1	K2	K3	K4
9	16.0510.19	Hose, 1/4F Bsp-12 1,9m (1)	1				1
9	16.0510.25	Hose, 1/4F Bsp-12 2,65m (2)	1				1
10	28.3064.85	Hose protector 120 mm	1				10
11	13.5006.00	Nipple,z.pl. 1/4MM Bsp	1				25
12	14.3813.22	Washer, 13,2x22x1,5 mm alu.	2				25
13	26.1300.20	SW90 Swivel 90°, sst, 1/4 MF Bsp	1				5
14	28.3004.84	Guard ring, PVC black	1				10
15	28.3002.51	Snap ring, 2,5x36,8 mm Sst.	1				10

(1) 28.3060.00 (2) 28.3060.25

28.3080.00 BTC 1550 Ceiling boom, bent, 2 springs

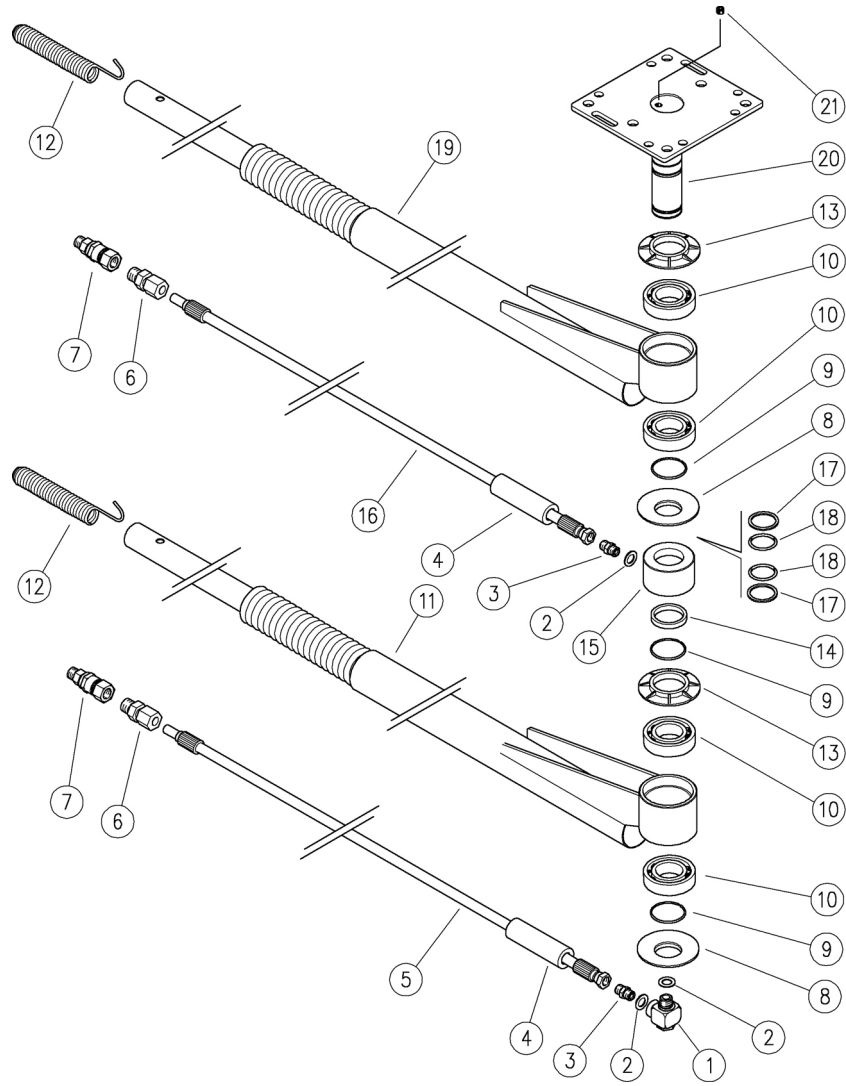


Pos.	P/N	Description	Q.ty	K1	K2	K3	K4	
1	13.5006.00	Nipple,z.pl. 1/4MM Bsp	1					25
2	28.3064.85	Hose protector 120 mm	1					10
3	16.0510.16	Hose, 1/4F Bsp-12 1,70m	1					1
4	13.5023.00	Ring fitting, 3/8M Bsp-t-d.12F	1					5
5	26.1200.40	SW25 Swivel,ball-bear. 3/8 MF Bsp	1					5
6	28.3003.51	Front spring, 150 mm Sst.	1					5
7	28.3085.21	Welded boom, 1550 mm Sst.	1					1
8	28.3005.21	Ceiling mount pin, Sst.	1					1

Pos.	P/N	Description	Q.ty	K1	K2	K3	K4	
9	28.0364.31	Plug, int.hex. 1/4 Bspt brass	1					10
10	28.3001.84	Guard ring, PVC black	1					10
11	11.4439.68	Ball-bearing, 40x68x15 mm - 2RS1	2					2
12	28.3002.51	Snap ring, 2,5x36,8 mm Sst.	1					10
13	28.3004.84	Guard ring, PVC black	1					10
14	14.3813.22	Washer, 13,2x22x1,5 mm alu.	2					25
15	26.1300.20	SW90 Swivel 90°, sst, 1/4 MF Bsp	1					5

28.3100.00 BTD 1750/1600 ceiling boom,rot.,double
 28.3100.20 BTD 2000/1750 ceiling boom,rot.,double

28.3100.25 BTD 2500/2000 ceiling boom,rot.,double

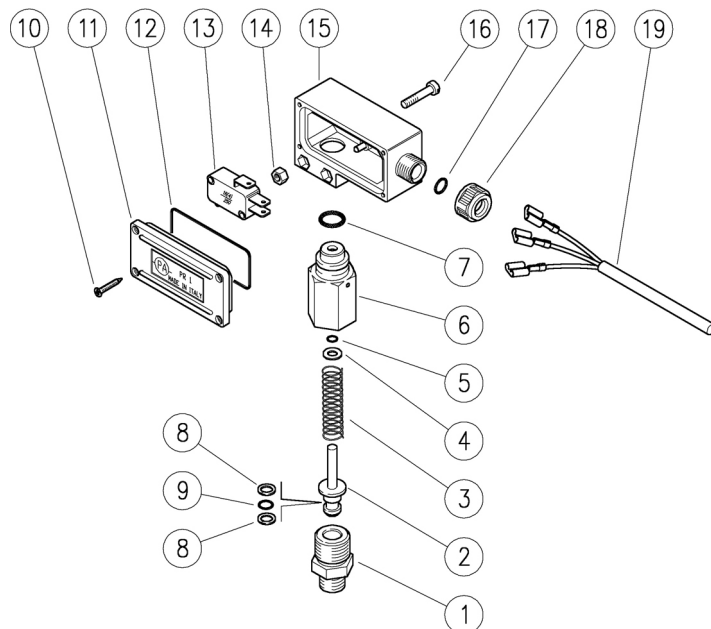


Pos.	P/N	Description	Q.ty	K1	K2	K3	K4		Pos.	P/N	Description	Q.ty	K1	K2	K3	K4	
1	26.1300.20	SW90 Swivel 90°, sst, 1/4 MF Bsp	1					5	12	28.3003.51	Front spring, 150 mm Sst.	2					5
2	14.3813.22	Washer, 13,2x22x1,5 mm alu.	3					25	13	28.3001.84	Guard ring, PVC black	2					10
3	13.5006.00	Nipple,z.pl. 1/4MM Bsp	2					25	14	28.3103.31	Spacer ring, 40x48x7,5 mm brass	1					1
4	28.3064.85	Hose protector 120 mm	2					10	15	28.3102.51	Spacer ring, SW 1/4F Bsp Sst.	1					1
5	16.0510.17	Hose, 1/4F Bsp-12 1,75m (1)	1					1	16	16.0510.19	Hose, 1/4F Bsp-12 1,9m (1)	1					1
5	16.0510.20	Hose, 1/4F Bsp-12 2,15m (2)	1					1	16	16.0510.20	Hose, 1/4F Bsp-12 2,15m (3)	1					1
5	16.0510.19	Hose, 1/4F Bsp-12 1,9m (3)	1					1	16	16.0510.25	Hose, 1/4F Bsp-12 2,65m (2)	1					1
6	13.5023.00	Ring fitting, 3/8M Bsp-t.d.12F	2					5	17	10.4095.00	Back-up ring, 33,8x40x2,4 mm	2					5
7	26.1200.40	SW25 Swivel,ball-bear. 3/8 MF Bsp	2					5	18	10.3250.32	O-ring, 3,53x32,92 mm	2					10
8	28.3004.84	Guard ring, PVC black	2					10	19	28.3012.21	Welded boom, 1750 mm Sst. (1)	1					1
9	28.3002.51	Snap ring, 2,5x36,8 mm Sst.	3					10	19	28.3022.21	Welded boom, 2000 mm Sst. (3)	1					1
10	11.4439.68	Ball-bearing, 40x68x15 mm - 2RS1	4					2	19	28.3027.21	Welded boom, 2500 mm Sst. (2)	1					1
11	28.3112.21	Welded boom, 1600 mm Sst. (1)	1					1	20	28.3105.21	Pin, extnd. -ceiling mount Sst.	1					1
11	28.3012.21	Welded boom, 1750 mm Sst. (3)	1					1	21	16.2221.00	Set screw, DIN914 M8x8 mm Sst.	1					10
11	28.3022.21	Welded boom, 2000 mm Sst. (2)	1					1									

(1) 28.3100.00 (2) 28.3100.25 (3) 28.3100.20

29.0000.00 PR1 press.sw.,sst,3/8M Bsp 45bar black

29.0000.25 PR1 press.sw.,sst,3/8M Bsp 2,5MPa red



Pos.	P/N	Description	Q.ty	K1	K2	K3	K4	
1	29.0011.51	Nipple, M18x1,5-3/8M Bsp Sst.	1					5
2	29.0002.51	Piston, PR1 Sst.	1					5
3	29.0016.51	Spring, 2x9x22 mm Sst.	1					10
3	29.0015.51	Spring, 1,8x22 mm Sst. (1)	1					10
4	14.3564.00	Washer, 5,3x9,5x1 mm brass	1					10
5	10.3049.01	O-ring, 1,78x5,28 mm	1	•	•			10
6	29.0001.51	Housing -PR1, Sst.	1					2
7	10.3177.00	O-ring, 2,62x12,37 mm	1					10
8	10.4006.01	Back-up ring, opn. 6,2x9x1,2 mm	2	•	•			10
9	10.3051.00	O-ring, 1,78x6,07 mm Vi 70	1	•	•			10
10	16.3020.00	S/tapp. screw, 2,5x12mm chrom	4					10

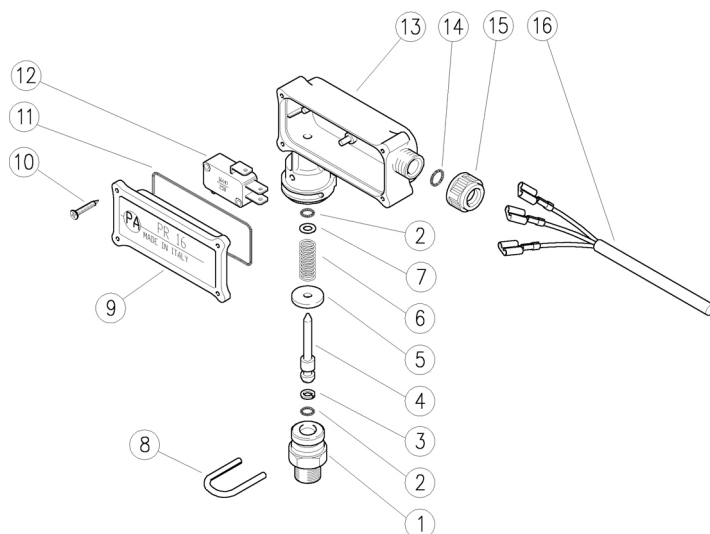
Pos.	P/N	Description	Q.ty	K1	K2	K3	K4	
11	29.0004.84	Lid, PR1 PA red	1					1
12	10.3108.00	O-ring, 2x48 mm	1					10
13	12.5001.00	Microswitch, 16A 250V	1					10
14	11.4513.05	Hex. nut M4	2					10
15	29.0003.84	Casing, PR1 PA red	1					2
16	16.1843.00	Screw, DIN7985 M4x20 mm z.pl.	2					10
17	10.3109.92	O-ring, 2,4x7,3 mm	1					10
18	29.0082.84	Locknut for cable gland, PA black	1					10
18	29.0109.84	Locknut for cable gland, PA red (1)	1					10
19	12.5000.00	Cable, 3x1 L.1200 mm	1					10

Kit	P/N	Description	
K1	29.0024.24	Spares kit -PR16, 3x10pcs.	1
K2	29.0026.24	Repair kit -PR16, 1x3pcs.	1

(1) 29.0000.25

29.0035.10 PR16 press.sw.,sst,3/8M Bsp 40bar black
 29.0035.15 PR16 press.sw.,sst,3/8M Bsp 25bar red
 29.0035.25 PR16 press.sw.,sst,1/4M Bsp 25bar red
 29.0035.30 PR16 press.sw.,sst,1/4M Bsp 40bar black
 29.0035.50 PR16 press.sw.,sst,1/4M Npt 40bar black
 29.0035.52 PR16 press.sw.,sst,1/4M Npt 25bar red

29.0035.62 PR16 press.sw.,sst,3/8M Npt 25bar red
 29.0040.00 PR16 press.sw.,brass,3/8M Bsp 40bar blick
 29.0040.11 PR16 press.sw.,brass,3/8M Bsp 15bar blue
 29.0040.20 PR16 press.sw.,brass,1/4M Bsp 40bar blick
 29.0040.30 PR16 press.sw.,brass,1/4M Bsp 25bar red
 29.0040.40 PR16 press.sw.,brass,1/4M Bsp 15bar blue



Pos.	P/N	Description	Q.ty	K1	K2	K3	K4	
1	29.0045.51	Housing, 1/4M Bsp Sst. (1,2)	1					5
1	29.0044.51	Housing, 3/8M Bsp Sst. (3,4)	1					5
1	29.0046.51	Housing, 1/4M Npt Sst. (5,6)	1					5
1	29.0047.51	Housing, 3/8M Npt Sst. (7)	1					5
1	29.0081.31	Housing, 1/4M Bsp brass (8,9,10)	1					5
1	29.0044.31	Housing, 3/8M Bsp brass (11,12)	1					5
2	10.3038.00	O-ring, 1,78x3,68 mm	2	•	•			10
3	10.4002.00	Back-up ring, opn. 4,2x7x1,5 mm	1	•	•			10
4	29.0043.31	Piston, PR16 brass	1					10
5	29.0086.31	Washer, 4x16x2,5 mm brass	1					10
6	29.0094.51	Spring, 15Bar 1,3x6,7x18mm Sst.	1					10
6	29.0085.61	Spring, 25Bar-1,4x8x18 mm	1					10
6	29.0084.61	Spring, 40Bar-1,6x8x18 mm	1					10

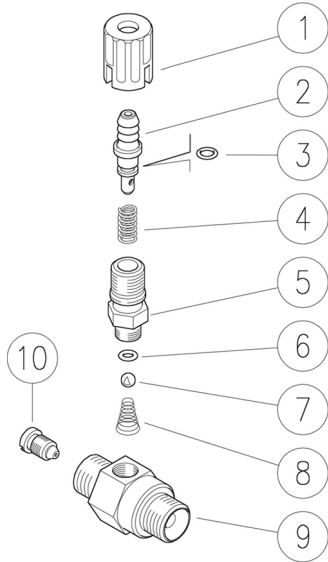
Pos.	P/N	Description	Q.ty	K1	K2	K3	K4	
7	14.3519.00	Washer, 4x8x0,5 mm brass	1					10
8	29.0087.51	U-bolt, Sst.	1					10
9	29.0042.84	Lid, PR16 PA black	1					5
10	16.3020.00	S/tapp. screw, 2,5x12mm chrom	4					10
11	10.3210.42	O-ring, 2,62x42,52 mm	1	•	•			10
12	12.5001.00	Microswitch, 16A 250V	1					10
13	29.0041.84	Casing, PR16 PA black	1					5
14	10.3109.92	O-ring, 2,4x7,3 mm	1	•	•			10
15	29.0110.84	Locknut for cable gland, PA blue	1					50
15	29.0109.84	Locknut for cable gland, PA red	1					10
15	29.0082.84	Locknut for cable gland, PA black	1					10
16	12.5000.00	Cable, 3x1 L.1200 mm	1					10

Kit	P/N	Description	
K1	29.0036.24	Spares kit -PR16, 4x10pcs.	1
K2	29.0048.24	Spares kit -PR1-PR16, 4x1 pcs.	1

(1) 29.0035.25 (2) 29.0035.30 (3) 29.0035.10 (4) 29.0035.15 (5) 29.0035.50 (6) 29.0035.52 (7) 29.0035.62 (8) 29.0040.20 (9) 29.0040.30 (10) 29.0040.40 (11) 29.0040.00 (12) 29.0040.11

21.0145.18 Inject.,adjust.,3/8MM Npt+ 1,8mm nzl

21.0145.21 Inject.,adjust.,3/8MM Npt+ 2,1mm nzl



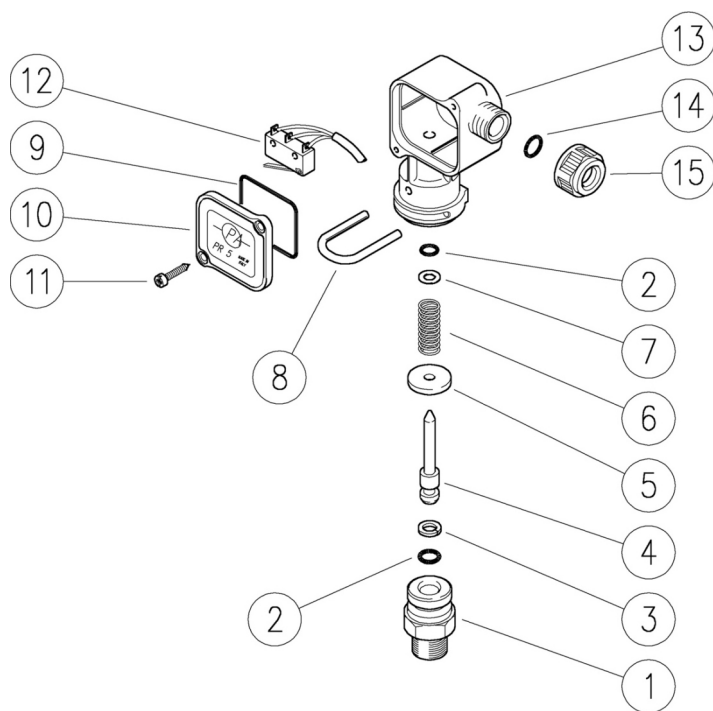
21.0145.23 Inject.,adjust.,3/8MM Npt+ 2,3mm nzl

Pos.	P/N	Description	Q.ty	K1	K2	K3	K4	
1	21.0171.84	Inject.knob, 1/4F Bsp black	1					10
2	21.0155.99	Hose barb, d.8 mm brass+o-ring	1					3
3	10.3043.18	O-ring, 1,78x4,48 mm EPDM	1					10
4	21.0158.51	Spring, 0,8x7x15 mm Sst.	1					10
5	21.0173.31	Coupling, M12x1-1/4M Bsp brass	1					10
6	10.3049.18	O-ring, 1,78x5,28 mm EPDM	1					10
7	14.7420.01	Ball, 7/32" Sst. Aisi 316	1					10
8	21.0160.51	Tapered spring, Sst. -inject.	1					10
9	21.0169.31	Inject.housing, 3/8MM Npt brass	1					5
10	21.0002.51	Nozzle, M8x1 - 1,8 mm Sst. (1)	1					10
10	21.0004.51	Nozzle, M8x1 - 2,1 mm Sst. (2)	1					10
10	21.0157.51	Nozzle, M8x1 - 2,3 mm Sst. (3)	1					10

(1) 21.0145.18 (2) 21.0145.21 (3) 21.0145.23

29.0080.00 PR5 press.sw.,brass,1/4M Bsp 25bar red
 29.0080.10 PR5 press.sw.,brass,1/4M Bsp 15bar blue
 29.0080.50 PR5 press.sw.,brass,1/4M Bsp-4MPa-black

29.0080.75 PR5 press.sw.,brass,1/8M Bsp 10bar yell.
 29.0080.80 PR5 press.sw.,brass,3/8M Bsp 40bar black



Pos.	P/N	Description	Q.ty	K1	K2	K3	K4	
1	29.0081.31	Housing, 1/4M Bsp brass	1					5
1	29.0091.31	Housing -PR5, 1/8M Bsp brass (1)	1					3
1	29.0044.31	Housing, 3/8M Bsp brass (2)	1					5
2	10.3038.00	O-ring, 1,78x3,68 mm	2	•				10
3	10.4002.00	Back-up ring, opn. 4,2x7x1,5 mm	1	•				10
4	29.0090.31	Piston-PR5, brass	1					5
5	29.0086.31	Washer, 4x16x2,5 mm brass	1					10
6	29.0085.61	Spring, 25Bar-1,4x8x18 mm (3)	1					10
6	29.0084.61	Spring, 40Bar-1,6x8x18 mm (4)	1					10
6	29.0094.51	Spring, 15Bar 1,3x6,7x18mm Sst. (5)	1					10
6	29.0112.51	Spring, 1,2x8x18 mm Sst. (1)	1					10
7	14.3519.00	Washer, 4x8x0,5 mm brass	1					10

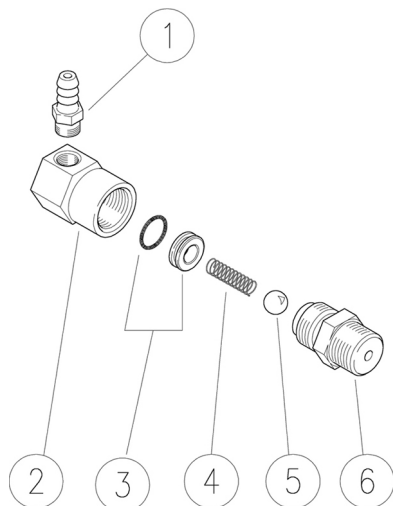
Pos.	P/N	Description	Q.ty	K1	K2	K3	K4	
8	29.0087.51	U-bolt, Sst.	1					10
9	10.3206.01	O-ring, 2,62x28,25 mm	1	•				10
10	29.0088.84	Lid, PR5 PA black	1					10
11	16.3020.00	S/tapp. screw, 2,5x12mm chrom	2					10
12	12.5006.00	Cable, 3x0,75 L.1000 mm+ Microswitch	1					5
13	29.0089.84	Housing, PR5 PA black	1					10
14	10.3169.00	O-ring, 2,62x6,02 mm	1	•				10
15	29.0082.84	Locknut for cable gland, PA black	1					10
15	29.0109.84	Locknut for cable gland, PA red	1					10
15	29.0110.84	Locknut for cable gland, PA blue	1					50
15	29.0111.84	Locknut for cable gland, PA yellow (1)	1					10

Kit	P/N	Description	
K1	29.0095.24	Spares kit - PR5, 5x10pcs.	1

(1) 29.0080.75 (2) 29.0080.80 (3) 29.0080.00 (4) 29.0080.50 (5) 29.0080.10

29.0100.00 ES1 Easy starter, 3/8M Npt
 29.0100.50 ES1 Easy starter, 3/8M Bsp

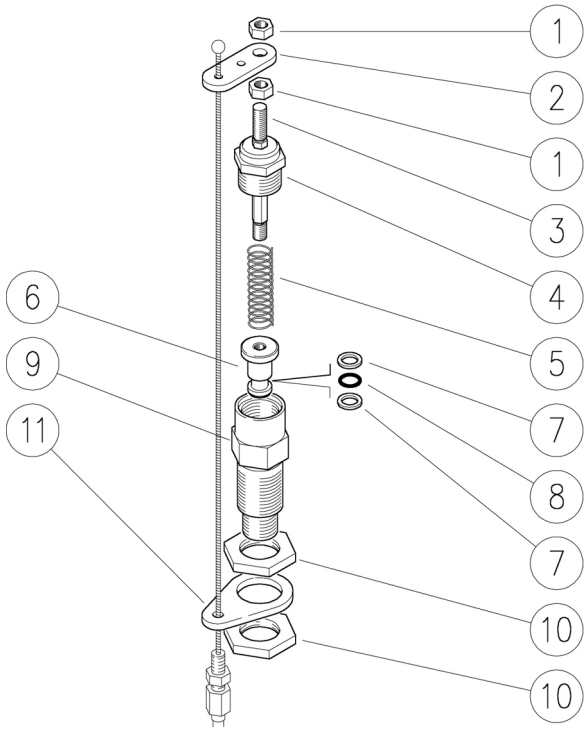
29.0100.60 ES1 Easy starter, 1/4M Bsp



Pos.	P/N	Description	Q.ty	K1	K2	K3	K4	
1	29.0103.31	Nipple, brass,1/8M Bsp+8mm h.barb	1					10
2	29.0101.31	Housing -ES1, 3/8F-1/8F Bsp brass	1					3
3	30.0031.201	Spares kit -Seat, 7mm+O-ring 25pcs.	1					1
4	29.0106.51	Spring, 0,8x6x21mm Sst.	1					5
5	14.7443.10	Ball, 11/32" Sst.	1					10
6	29.0102.31	Coupling, 3/8F Bsp-3/8F Npt brass	1					3
6	29.0105.31	Coupling, 3/8 FF Bsp brass (1)	1					1
6	29.0107.31	Coupling, 3/8F-1/4F Bsp brass (2)	1					5

(1) 29.0100.50 (2) 29.0100.60

29.0120.00 RG1 Throttle controller -7mm stroke

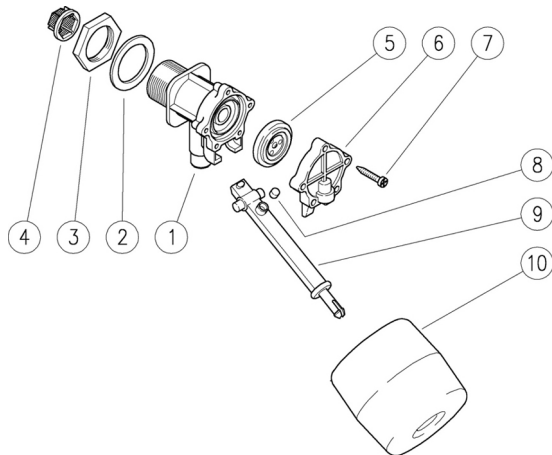


29.0130.00 RG1 Throttle controller -14mm stroke

Pos.	P/N	Description	Q.ty	K1	K2	K3	K4	
1	11.4524.00	Hex. nut, M5	2					10
2	29.0125.61	Cable hanger, z.pl.	1					5
3	29.0126.51	Tie rod -RG1, Sst.	1					5
4	29.0122.31	Plug, RG1 brass	1					5
5	30.0009.51	Spring, 1,6x8,4x26 mm Sst.	1					10
5	29.0133.61	Spring, 1,3x10x33 mm z.pl. (1)	1					5
6	29.0123.31	Piston 7 mm brass	1					5
6	29.0132.31	Piston RG1-14 mm brass (1)	1					3
7	10.4006.01	Back-up ring, opn. 6,2x9x1,2 mm	2					10
8	10.3051.00	O-ring, 1,78x6,07 mm Vi 70	1					10
9	29.0121.31	Housing -RG1-7, 1/4M-3/8M Bsp brs.	1					5
9	29.0131.31	Housing -RG1-14, 1/4M-3/8M Bsp brs. (1)	1					3
10	29.0171.31	Nut, brass, 3/8F Bsp	2					50
11	29.0124.61	Regulator plate, z.pl.	1					5

(1) 29.0130.00

29.0150.00 RGP Float valve,plast.3/4M Bsp



Pos.	P/N	Description	Q.ty	K1	K2	K3	K4	
1	29.0141.84	Housing -RGP 3/4M Bsp PP black	1					5
2	29.0189.81	Front seal, 26x36x2 mm NBR	1					10
3	29.0188.31	Nut, 3/4F Bsp brass	1					10
4	29.0153.84	Inlet strainer, 19 mm	1	•				10
5	29.0151.21	Front seal	1	•				10
6	29.0144.84	Lid, RGP PP black	1					5
7	16.3077.00	S/tapping screw, DIN7981 3,5x18 mm	5					10
8	29.0145.81	Front seal, 5x4 mm NBR	1					10
9	29.0142.84	Rod -RGP, PP black	1					5
10	29.0143.84	Float body -RGP, black	1					10

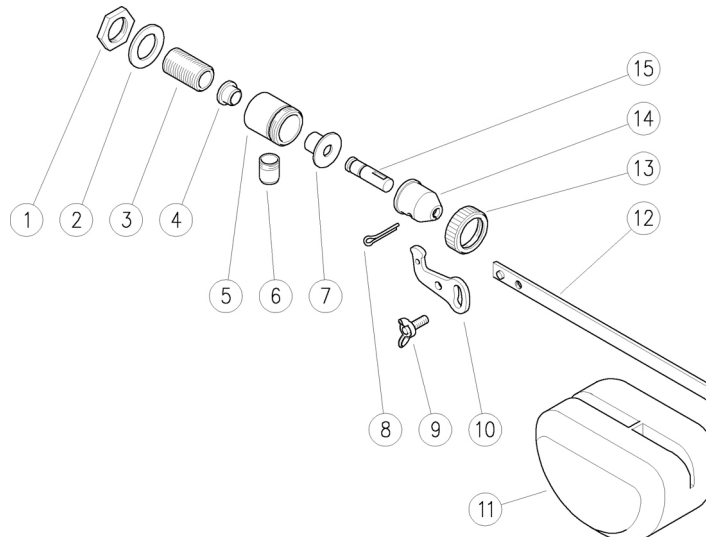
Kit	P/N	Description	
K1	29.0154.24	Spares kit - RGP 2x10pcs.	1


29.0160.00 RGO Float valve,brass 3/8M Bsp


29.0160.10 RGO Float valve,brass 1/2M Bsp

29.0160.20 RGO Float valve,brass 3/4M Bsp

29.0160.30 RGO Float valve,brass 1/2F Bsp

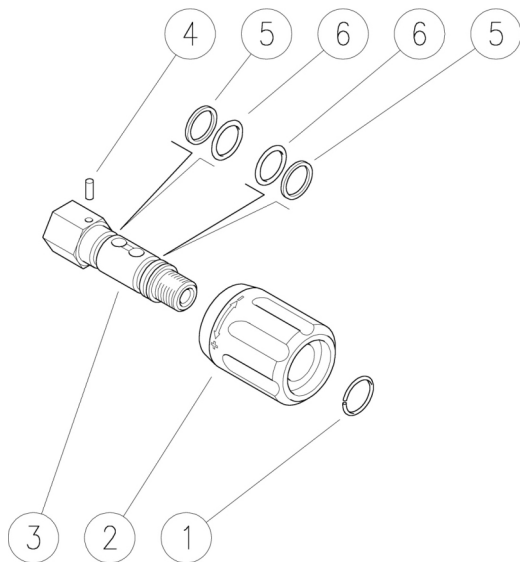


Pos.	P/N	Description	Q.ty	K1	K2	K3	K4		Pos.	P/N	Description	Q.ty	K1	K2	K3	K4	
1	29.0171.31	Nut, brass, 3/8F Bsp (1)	1					50	5	29.0161.31	Housing -RGO, M24x1,5M-3/8F Bsp brs.	1					3
1	29.0175.31	Nut, 1/2F Bsp brass (2)	1					10	6	29.0162.36	Drain tube, brass	1					5
1	29.0188.31	Nut, 3/4F Bsp brass (3)	2					10	7	29.0166.81	Front gasket, CR	1	•				10
2	29.0176.81	Front seal, 17x28x2 mm NBR (1)	1					10	8	11.0549.01	Cotter pin 3x20 mm	1					10
2	29.0177.81	Front seal, 19x30x2 mm black (2)	1					10	9	12.0150.05	Wing nut, M5x10 brass	1					10
2	29.0189.81	Front seal, 26x36x2 mm NBR (3)	1					10	10	29.0168.35	Transmission plate, brass	1					5
3	29.0172.36	Coupling, 3/8M Bsp brass (1)	1					5	11	29.0191.84	Float valve, PE-HD grey	1					10
3	29.0173.31	Coupling, 3/8M-1/2M Bsp brass (2)	1					5	12	29.0190.31	Rod -RGO, brass	1					10
3	29.0179.31	Coupling, 3/8M-3/4M Bsp brass (3)	1					5	13	29.0163.36	Hand nut, M24x1,5 F brass	1					10
3	29.0217.31	Coupling, 3/8M-1/2F Bsp brass (4)	1					5	14	29.0169.31	Cover, brass	1					5
4	29.0165.84	Seat -RGO,	1	•				10	15	29.0164.84	Piston RGO black	1	•				10

Kit	P/N	Description	
K1	29.0199.24	Spares kit -RGO, 3x1pcs.	1

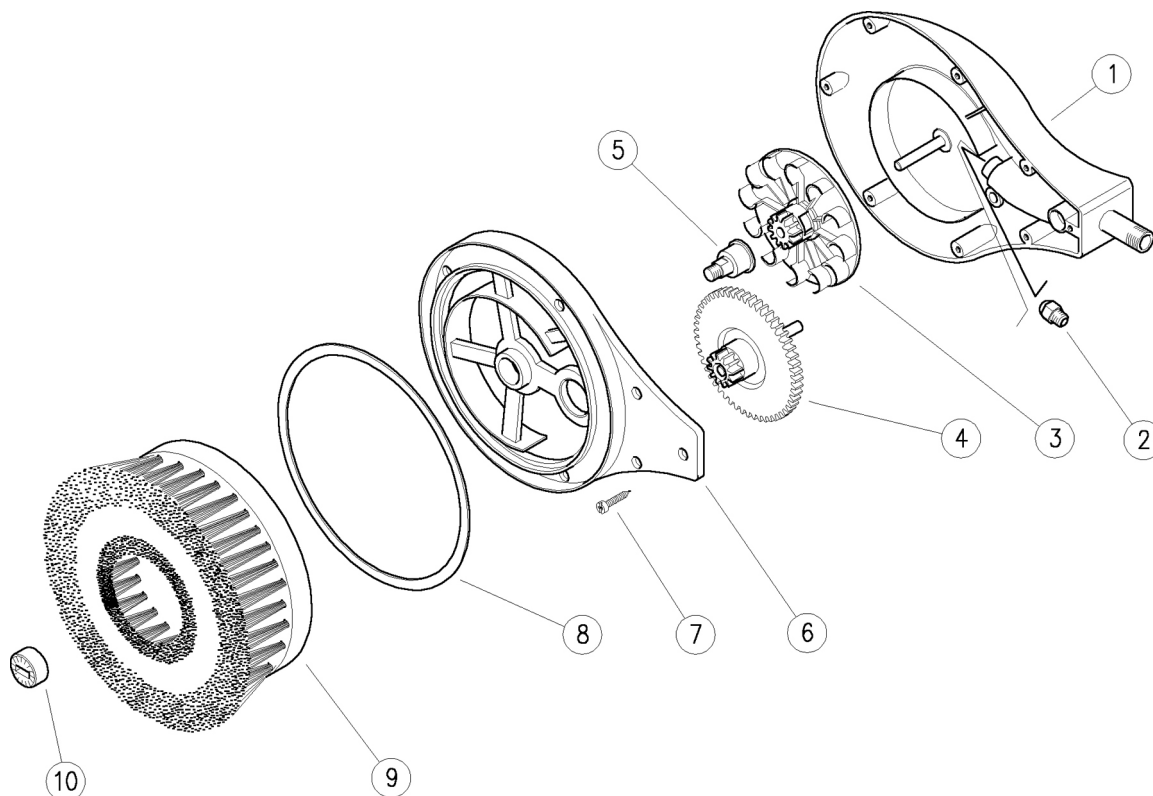
(1) 29.0160.00 (2) 29.0160.10 (3) 29.0160.20 (4) 29.0160.30

29.0400.00 RF1 Flow regulator 1/4MF Bsp



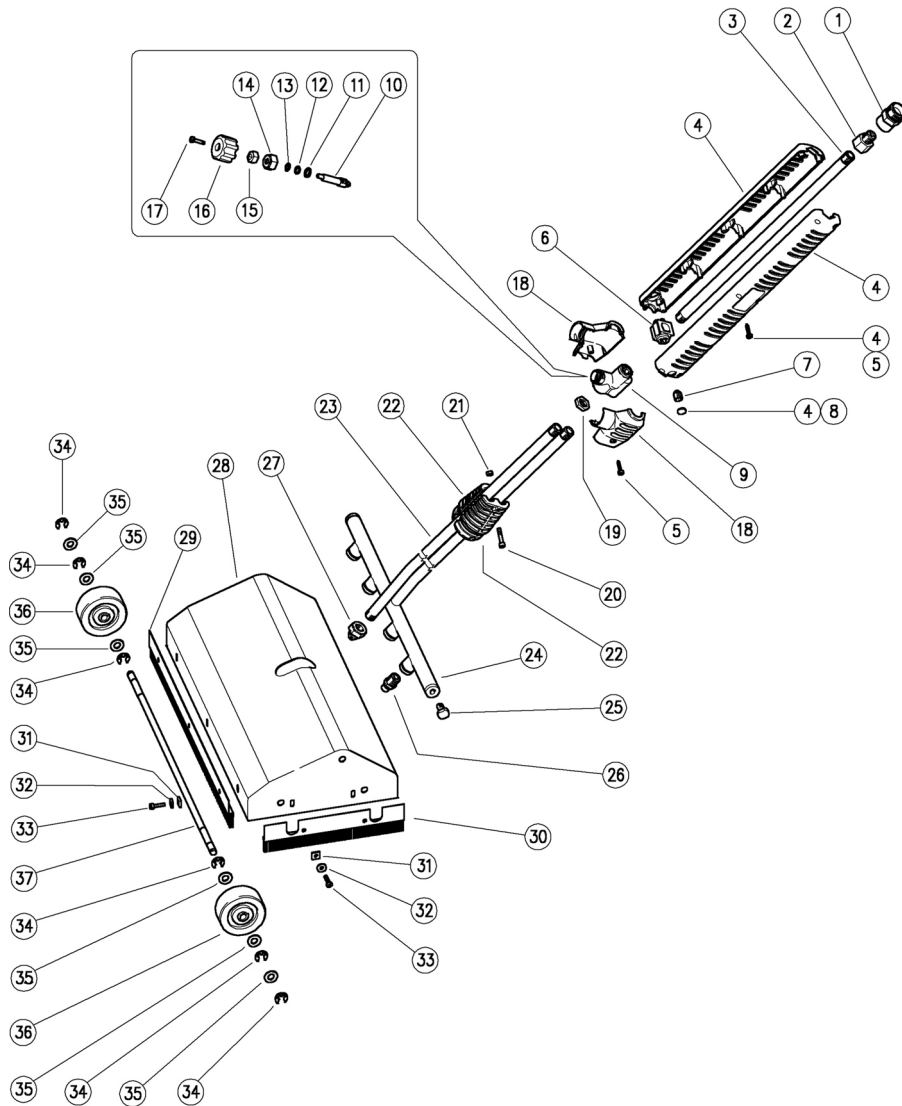
Pos.	P/N	Description	Q.ty	K1	K2	K3	K4	
1	29.0402.51	Snap ring, 1,6x14,3 mm Sst.	1					5
2	29.0403.22	Knob -RF1, PA black	1					3
3	29.0401.31	Hollow shaft, 1/4Bsp MF brass	1					3
4	15.1018.00	Parallel pin, 3x8 mm Sst.	1					10
5	10.4013.00	Back-up ring, 16x13,2x1,2 mm	2					10
6	10.3060.00	O-ring, 1,78x12,42 mm	2					10

29.0500.00 SR8 rotating brush,3mm nzl.



Pos.	P/N	Description	Q.ty	K1	K2	K3	K4	
1	29.0501.22	Upper housing -SR8, black	1					1
2	29.0502.31	Nozzle -SR8, 3 mm brass	1					3
2	29.0503.31	Nozzle -SR8, 2,5 mm brass	1					3
2	29.0504.31	Nozzle -SR8, 2 mm brass	1					3
3	29.0505.84	Turbine -SR8, PA	1					5
4	29.0506.22	Transmission gear -SR8	1					3
5	29.0507.31	Pin, brass	1					5
6	29.0508.22	Lower lid, SR8	1					3
7	16.3083.00	S/tapping screw, DIN7982 3,9x10 mm Sst.	8					10
8	29.0509.84	Spacer ring, PA	1					5
9	29.0510.22	Brush -SR8, PA white	1					3
10	29.0514.84	Nut + notch, PA	1					3

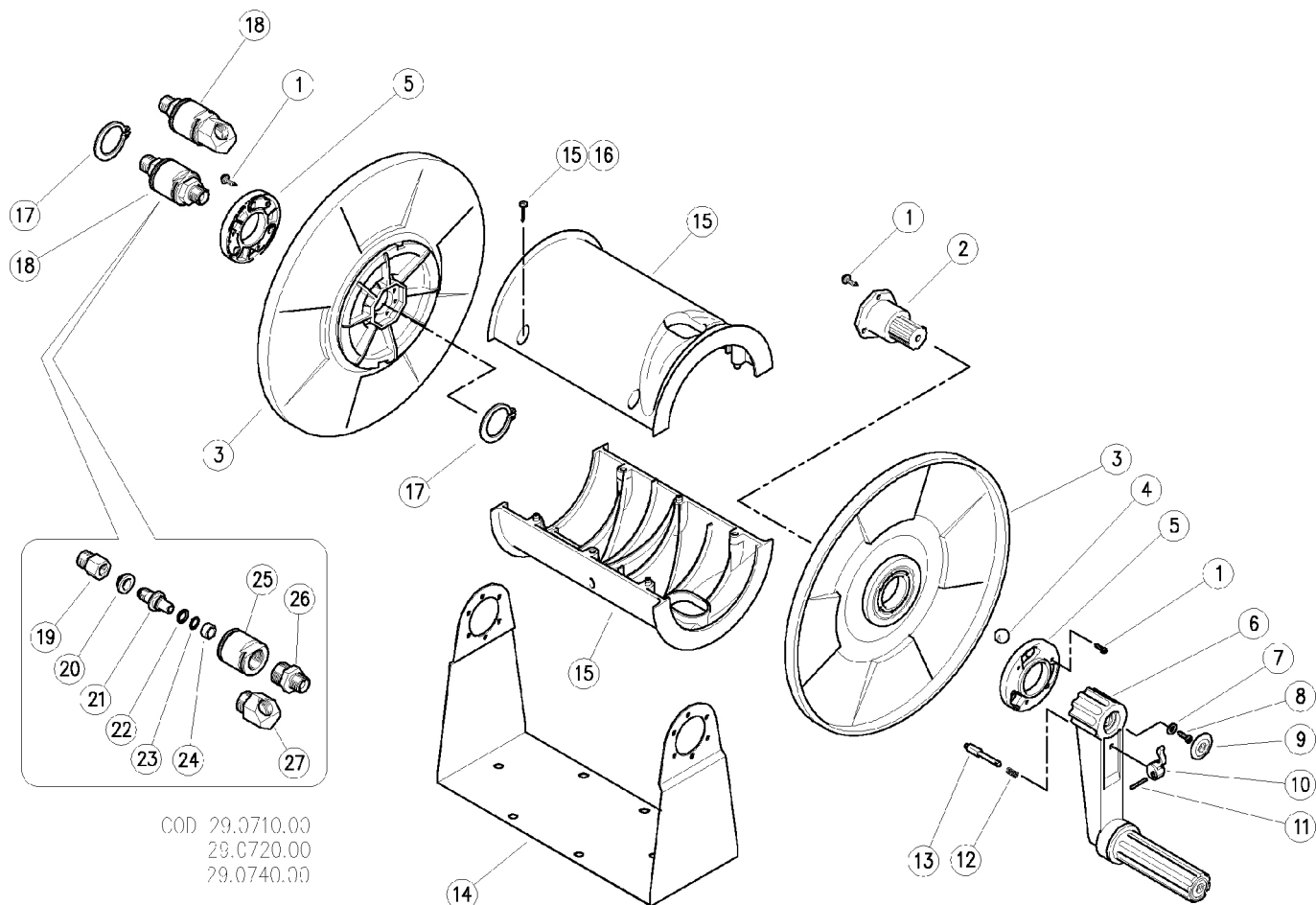
29.0600.00 LP1 floor cleaner, sst, A M22, 410mm



Pos.	P/N	Description	Q.ty	K1	K2	K3	K4	📦	Pos.	P/N	Description	Q.ty	K1	K2	K3	K4	📦
1	26.1032.31	AR5 A M22 screw-type nipple-1/4F Bsp	1					25	20	16.1855.00	Screw, DIN912 M4x20 mm z.pl.	2					10
2	40.5008.31	Reduct,brass 1/4M Bspt-1/4F Bsp	1					10	21	11.4513.05	Hex. nut M4	2					10
3	40.0314.56	Tube, 1/4Bsp MM 377mm Sst.	1					10	22	41.0416.84	Semi-shell, 1/4" PA black	2					10
4	40.0308.24	Casing-kit -S3, black+screws+Lance Plug	1					1	23	29.0629.56	Low pressure tube, Sst.	1					1
5	16.3077.00	S/tapping screw, DIN7981 3,5x18 mm	7	•				10	24	29.0615.21	High pressure branch -LP1, Sst.	1					1
6	40.0304.84	Tube fastener, plast.	1					25	25	29.0616.51	Screw M 8mm, Sst.	2					5
7	16.2230.00	Set screw, DIN916 M10x8 mm z.pl.	1					10	26	16.1380.15	Nozzle, 1/4 HP +strainer	4					4
8	40.0303.84	Lance Plug, PA black	1					10	27	29.0633.51	Low pressure nozzle, Sst.	1					5
9	41.0401.35	Valve housing -LD, 1/4FFF Bsp brass	1	•				5	28	29.0605.21	Casing -LP1, Sst.	1					1
10	41.0951.51	Shutter, LD Sst.	1	•				5	29	29.0601.23	Brush, 390 mm Sst.+PA white	2					5
11	14.3643.00	Washer, 8,2x12x1,5 mm Cu	1	•				10	30	29.0602.23	Brush, 184 mm Sst.+PA white	2					5
12	10.3170.00	O-ring, 2,62x7,6 mm	1	•				10	31	11.4512.00	Square nut M4	10					10
13	10.4020.00	Back-up ring, 8x12,6x1,2 mm	1	•				10	32	14.3514.00	Washer, 4,3x12x1 mm Sst.	10					10
14	41.0408.31	Ring nut, M18x1,5 brass	1	•				5	33	16.1840.10	Screw, DIN7985 M4x14 mm Sst.	10					10
15	29.0924.31	Groove nut, brass	1	•				10	34	10.0996.07	Snap ring, A 7 Sst.	12					25
16	29.0931.84	Knob, PA black	1	•				10	35	14.3650.00	Washer, 8,4x17x1,6 mm Sst.	12					10
17	16.1840.00	Screw, DIN7985 M4x14 mm z.pl.	1	•				10	36	14.5060.06	Rubber wheel, d.60 mm	4					4
18	41.0424.24	Casing-kit -LD9-1/4" +screws	1	•				1	37	29.0607.51	Wheel shaft, 8x411 mm Sst.	2					2
19	29.0608.31	Locknut, 1/4F Bsp brass	1					10									
Kit	P/N	Description						📦									
K1	41.0956.24	Valve-Kit -LD9-LP, complete						1									

29.0710.00 T16 H.reel,plast.3/8MF Bsp 10m+brass sw.
 29.0720.00 T26 H.reel,plast.3/8MM Bsp 20m+brass sw.

29.0740.00 T46 H.reel,plast.3/8MM Bsp 40m+brass sw.



COD 29.0710.00
 29.0720.00
 29.0740.00

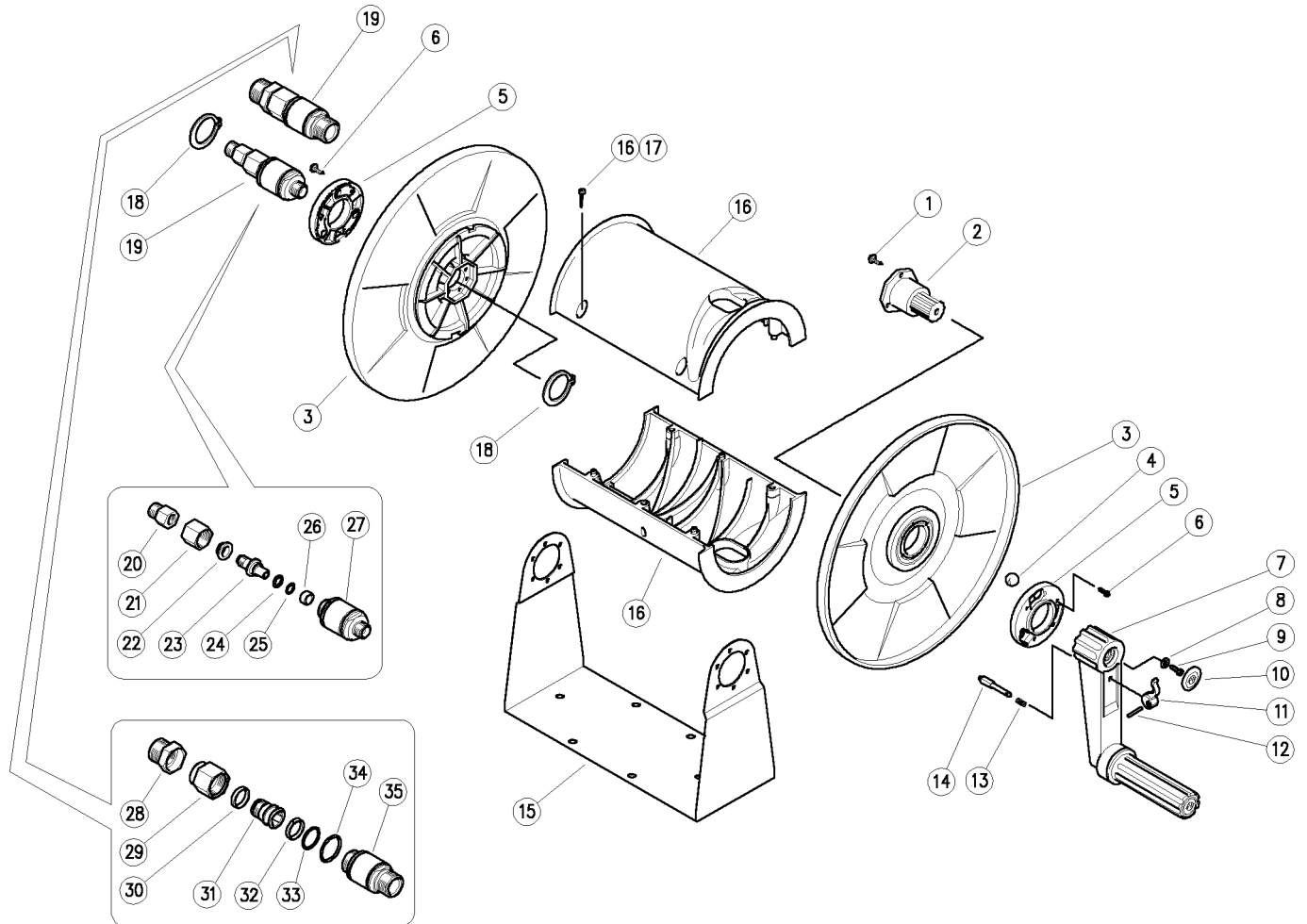
Pos.	P/N	Description	Q.ty	K1	K2	K3	K4	Pos.	P/N	Description	Q.ty	K1	K2	K3	K4	
1	16.3092.12	S/tapping screw, DIN7981 4x12 mm	9					10	15	29.0725.84	Semi-shell -T26, PA black (2)	2				2
2	29.0713.84	Transmission pin, PA black	1					2	15	29.0745.84	Semi-shell -T46, PA black (3)	2				2
3	29.0712.84	Side disc, black	2					2	16	16.3077.51	S/tapping screw, 3,5x20 mm Sst. (1)	4				10
4	14.7427.00	Ball, 7 mm Sst.	3					10	16	16.3077.51	S/tapping screw, 3,5x20 mm Sst. (2)	6				10
5	29.0714.84	Washer, POM black	2					2	16	16.3077.51	S/tapping screw, 3,5x20 mm Sst. (3)	8				10
6	29.0723.21	Crank, black	1	•				2	17	10.1035.00	Snap ring, E 35	2				5
7	14.3569.05	Washer, 6,4x11x1 mm Sst.	1					10	18	26.1120.00	Sw -T16, brass -compl. (1)	1				1
8	16.3096.25	S/tapping screw, DIN7976 6x25 mm Sst.	1					10	18	26.1100.00	Sw -hose reel, brass -compl.	1				1
9	41.0411.84	Plug, Knob PP black	1					5	19	26.1101.31	Back cpl., M12x1,25F-3/8M Bsp c/sunk brs	1				10
10	29.0716.84	Lever, PA red	1	•				5	20	26.1045.84	Bushing, 12x20x6 mm Plast.	1				5
11	15.1035.00	Parallel pin, 3x19 mm Sst.	1	•				10	21	26.1041.31	Pin, M12x1,25 brass	1				10
12	29.0722.51	Spring, 0,7x6,9x24 mm Sst.	1	•				5	22	10.4010.01	Back-up ring, 10,2x13,9x1,2mm	1				50
13	29.0717.31	Safety stud, brass	1	•				5	23	10.3109.95	O-ring, 2,4x9,3 mm Vi 70	1				25
14	29.0711.63	Support -T16, painted black (1)	1					1	24	26.1046.84	Bushing, 10x14x7 mm Plast.	1				5
14	29.0721.63	Support -T26, painted black (2)	1					1	25	26.1104.31	Housing, M22x1F brass	1				5
14	29.0741.63	Support -T46, painted black (3)	1					1	26	26.1105.31	Coupling, 3/8M Bsp-M22x1M brass	1				5
15	29.0715.84	Semi-shell -T16, PA black (1)	2					2	27	26.1121.31	Coup., 45° 3/8F Bsp-M22x1M brass (1)	1				5

Kit	P/N	Description	Q.ty
K1	29.9210.98	Kit crank, black	2

(1) 29.0710.00 (2) 29.0720.00 (3) 29.0740.00

29.0727.00 T27 H.reel,plast.3/8MM Bsp 20m+sst.sw.
 29.0728.00 T28 H.reel,plast.3/4MM Bsp 18m+sst.sw.

29.0747.00 T47 H.reel,plast.3/8MM Bsp 40m+sst.sw.



Pos.	P/N	Description	Q.ty	K1	K2	K3	K4	Pos.	P/N	Description	Q.ty	K1	K2	K3	K4
1	16.3092.94	S/tapping screw, DIN7981 4x14 mm Sst.	3				10	18	10.1035.05	Snap ring, E 35 Sst.	2				3
2	29.0713.84	Transmission pin, PA black	1				2	19	26.1150.00	Sw -hose reel, Sst. -compl.	1				3
3	29.0712.84	Side disc, black	2				2	19	26.1180.00	Sw80 3/4 Bsp MM Sst. compl. (2)	1				1
4	14.7427.00	Ball, 7 mm Sst.	3				10	20	26.1101.51	Back cpl.,M12x1,25F-3/8M Bsp c/sunk Sst	1				5
5	29.0714.84	Washer, POM black	2				2	21	26.1042.51	Ring nut, M22x1 Sst.	1				5
6	16.3092.92	S/tapping screw, DIN7981 4x12 mm Sst.	6				10	22	26.1045.84	Bushing, 12x20x6 mm Plast.	1				5
7	29.0723.21	Crank, black	1	•			2	23	26.1041.51	Pin, M12x1,25 Sst.	1				5
8	14.3569.05	Washer, 6,4x11x1 mm Sst.	1				10	24	10.4010.01	Back-up ring,10,2x13,9x1,2mm	1				50
9	16.3096.25	S/tapping screw, DIN7976 6x25 mm Sst.	1				10	25	10.3109.95	O-ring, 2,4x9,3 mm Vi 70	1				25
10	41.0411.84	Plug, Knob PP black	1				5	26	26.1046.84	Bushing, 10x14x7 mm Plast.	1				5
11	29.0716.84	Lever, PA red	1	•			5	27	26.1151.51	Housing, M22x1M-3/8M Bsp Sst.	1				5
12	15.1035.00	Parallel pin, 3x19 mm Sst.	1	•			10	28	26.1181.51	Coupling, 3/4M Bsp-M20x1F Sst.	1				5
13	29.0722.51	Spring, 0,7x6,9x24 mm Sst.	1	•			5	29	26.1186.51	Coupling, G3/4F Sst.	1				5
14	29.0717.31	Safety stud, brass	1	•			5	30	26.1183.85	Bushing, 20,5x24x4 mm PTFE	1				10
15	29.0721.53	Support -T27, Sst.	1				1	31	26.1182.51	Pin, M20x1M-24 mm Sst.	1				10
15	29.0741.53	Support -T47, Sst. (1)	1				1	32	26.1184.85	Bushing, open 20,5x24x4 mm PTFE	1				10
16	29.0725.84	Semi-shell -T26, PA black	2				2	33	10.3093.00	O-ring, 2x20 mm	1				10
16	29.0745.84	Semi-shell -T46, PA black (1)	2				2	34	10.3073.00	O-ring, 1,78x23,52 mm	1				10
17	16.3077.51	S/tapping screw, 3,5x20 mm Sst.	6				10	35	26.1187.51	Housing, 3/4 Bsp MM Sst.	1				5
17	16.3077.51	S/tapping screw, 3,5x20 mm Sst. (1)	8				10								

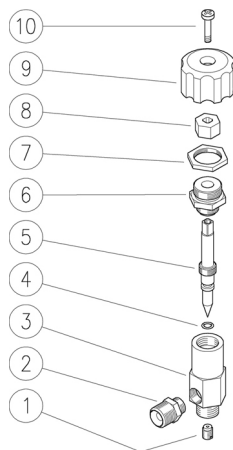
Kit	P/N	Description	Q.ty
K1	29.9210.98	Kit crank, black	2

(1) 29.0747.00 (2) 29.0728.00

29.0920.08 RV1 steam val. 1/4MM Bsp d.0,8mm

29.0920.12 RV1 steam val. 1/4MM Bsp d.1,2mm

29.0920.15 RV1 steam val. 1/4MM Bsp d.1,5mm



29.0920.20 RV1 steam valv.2,0mm red hand.

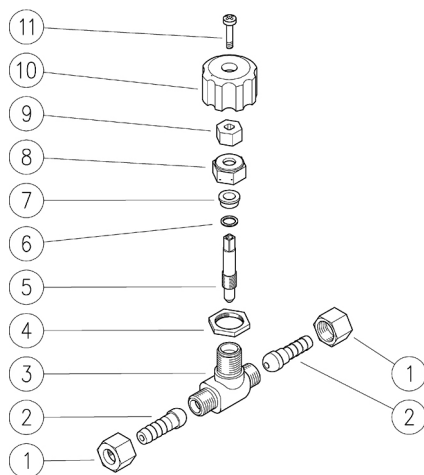
29.0920.65 RV1 steam val. 1/4MM Bsp d.1,5mm black

29.0920.82 RV1 steam val.1/4MM Bsp d.1,2mm-blue han.

Pos.	P/N	Description	Q.ty	K1	K2	K3	K4	
1	29.0941.51	Nozzle, 0,8 mm M6x8 Sst. (1)	1	•				5
1	29.0942.51	Nozzle, 1,2 mm M6x8 Sst. (2,3)	1	•				5
1	29.0943.51	Nozzle, 1,5 mm M6x8 Sst. (4,5)	1	•				5
1	29.0944.51	Nozzle, 2,0 mm M6x8 Sst. (6)	1					5
2	29.0926.31	Coupling, 1/4M-1/8M Bsp c/sunk brass (6)	1					10
3	29.0921.31	Casing -RV1, 1/4Bsp M brass	1					10
4	10.3043.01	O-ring, 1,78x4,48 mm Vi 70	1	•				10
5	29.0922.51	Shutter pin, M10x1 Sst.	1					5
6	29.0923.31	Nipple, 3/8Bsp M-1/4Bspt M brass	1					5
7	29.0932.31	Locknut, 3/8Bsp F brass	1					10
8	29.0924.31	Groove nut, brass	1					10
9	29.0931.84	Knob, PA black (5)	1					10
9	29.0930.84	Knob, PA blue (5,3)	1					10
9	29.0927.84	Knob, PA red (1,2,4,6)	1					10
10	16.1840.00	Screw, DIN7985 M4x14 mm z.pl.	1					10

Kit	P/N	Description	
K1	29.0934.24	Spares kit -RV1, 2x4pcs.	1
(1) 29.0920.08 (2) 29.0920.12 (3) 29.0920.82 (4) 29.0920.15 (5) 29.0920.65 (6) 29.0920.20			

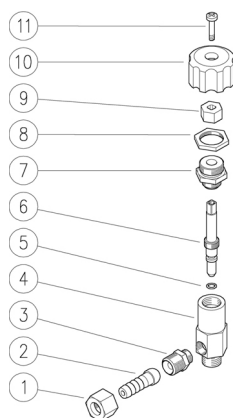
29.0945.00 RD3 chem.val. 1/4MM Bsp,7mm.h.barb blue



Pos.	P/N	Description	Q.ty	K1	K2	K3	K4	
1	29.0948.31	Ring nut, 1/4Bsp F brass	2					10
2	29.0947.31	8 mm hose barb,	2					10
3	29.0946.35	Housing, 1/4Bsp MM-M14x1M brs.	1					5
4	29.0949.31	Locknut, M14x1 brass	1					10
5	29.0937.51	Shutter pin, M8x0,75 Sst.	1	•				10
6	29.0940.51	Washer, 7x9,5x0,7 mm Sst.	1	•				10
7	29.0939.85	Seal ring, 7x12x5 mm PTFE	1	•				10
8	29.0938.31	Ring nut, M14x1 brass	1					10
9	29.0924.31	Groove nut, brass	1					10
10	29.0930.84	Knob, PA blue	1					10
11	16.1840.00	Screw, DIN7985 M4x14 mm z.pl.	1					10

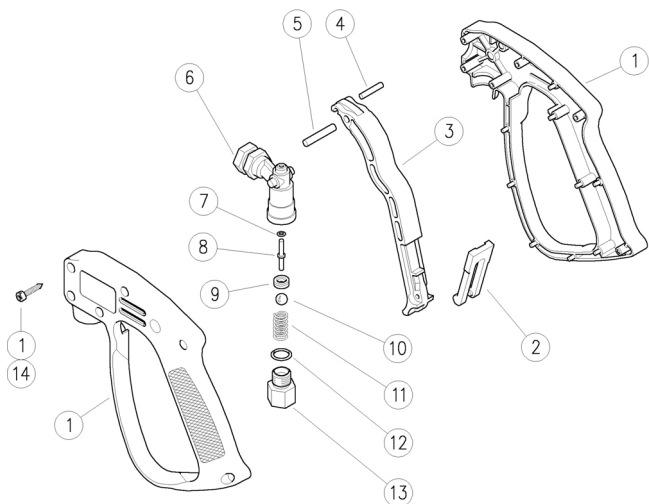
Kit	P/N	Description	
K1	29.0950.24	Spares kit -RD3, 3x10pcs.	1

29.0954.00 RDY chem.val.90°,1/4MM Bsp+7mm h.bar.blk



Pos.	P/N	Description	Q.ty	K1	K2	K3	K4	
1	29.0948.31	Ring nut, 1/4Bsp F brass	2					10
2	29.0947.31	8 mm hose barb,	2					10
3	29.0926.31	Coupling, 1/4M-1/8M Bsp c/sunk brass	1					10
4	29.0956.31	Casing -RDY, 1/4Bsp M brass	1					5
5	10.3043.01	O-ring, 1,78x4,48 mm Vi 70	1					10
6	29.0955.31	Shutter pin, M10x1 brass	1					10
7	29.0923.31	Nipple, 3/8Bsp M-1/4Bspt M brass	1					5
8	29.0932.31	Locknut, 3/8Bsp F brass	1					10
9	29.0924.31	Groove nut, brass	1					10
10	29.0931.84	Knob, PA black	1					10
11	16.1840.00	Screw, DIN7985 M4x14 mm z.pl.	1					10

30.0000.00 RL16 spr.gun 3/8F-1/4F Bsp
 30.0000.20 RL16 spr.gun 1/4FF Bsp



30.0000.40 RL16 spr.gun 1/4MF Bsp
 30.0000.50 RL16 spr.gun 3/8F-1/4F Npt

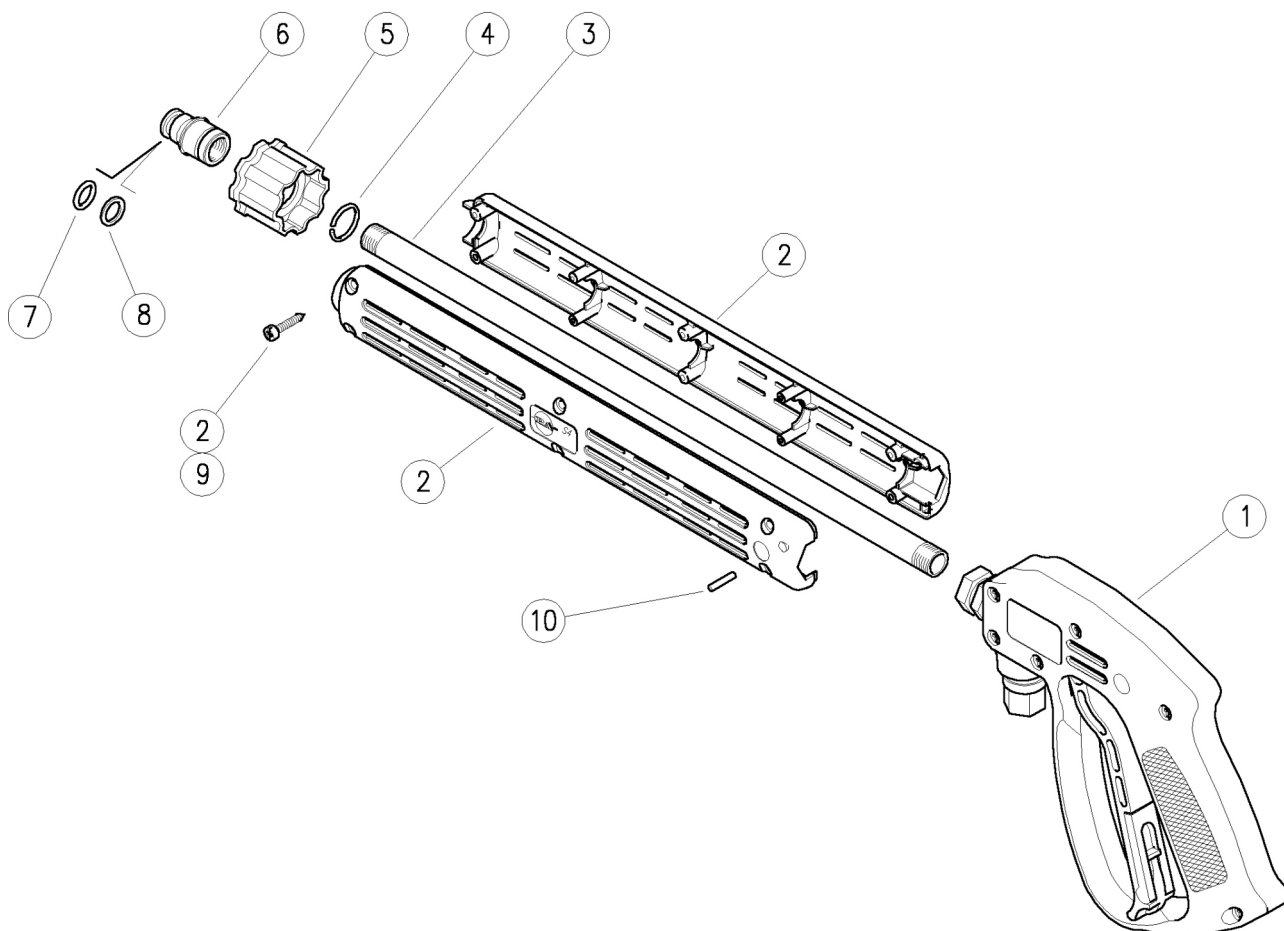
Pos.	P/N	Description	Q.ty	K1	K2	K3	K4	
1	30.0014.24	Casing-kit -RL16 +screws	1					1
2	30.1514.84	Safety latch, PA yellow	1					10
3	30.0018.84	Trigger -RL16-20, PA black	1					10
4	30.0020.51	Parallel pin, 4x16 mm Sst.	1					10
5	30.0509.31	Parallel pin, 5x24,5 mm brass	1					10
6	30.0017.35	Housing -RL16-20, 1/4F Bsp brass (1,2,3)	1					3
6	30.0012.35	Housing -RL16-20, 1/4F Npt brass (4)	1					5
7	10.3036.10	O-ring, 1,78x2,9 mm Vi 70	1	•				10
8	30.0019.51	Piston, 3 mm Sst.	1	•				10
9	30.0021.84	Seat, 5,5x10,5x4,2 mm PA black	1	•				10
10	14.7448.00	Ball, 5/16" Sst.	1	•				10
11	30.0001.51	Spring, 1,4x7,8x13,5 mm Sst.	1					10
12	10.3058.02	O-ring, 1,78x10,82 mm Ni 85	1	•				10
13	30.0103.31	Nipple, 1/4M-3/8F Bsp brass (1)	1					5
13	30.0023.31	Nipple, 1/4Bsp MF brass (2)	1					3
13	30.0022.31	Nipple, 1/4Bsp MM brass (3)	1					3
13	30.0004.31	Nipple, 1/4M Bsp-3/8F Npt brass (4)	1					5
14	16.3077.00	S/tapping screw, DIN7981 3,5x18 mm	6					10



Kit	P/N	Description	
K1	30.0002.24	Repair kit -RL16, 5x1pcs.	1

(1) 30.0000.00 (2) 30.0000.20 (3) 30.0000.40 (4) 30.0000.50

30.0050.00 RL160 spr.gun 3/8F Bsp+S4-AR1 B M22
 30.0050.20 RL160 spr.gun 1/4F Bsp+S4-AR1 B M22
 30.0050.40 RL160 spr.gun 1/4M Bsp+S4-AR1 B M22
 30.0150.00 RL200 spr.gun 3/8F Bsp+S4-AR1 B M22

30.0150.20 RL200 spr.gun 1/4F Bsp+S4-AR1 B M22
 30.0150.40 RL200 spr.gun A-M22+S4-AR1 B M22
 30.0150.60 RL200 spr.gun 3/8M Bsp+S4-AR1 B M22

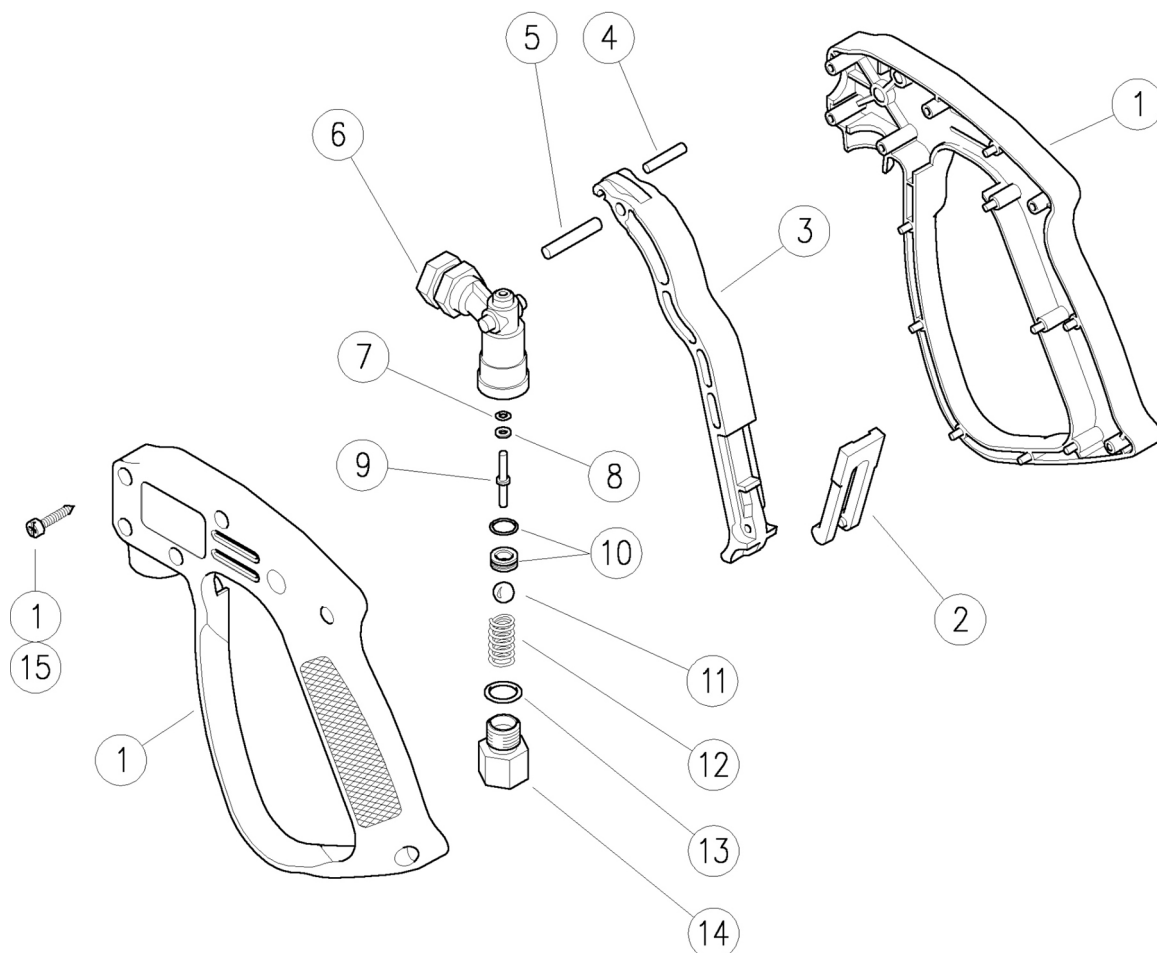


Pos.	P/N	Description	Q.ty	K1	K2	K3	K4		Pos.	P/N	Description	Q.ty	K1	K2	K3	K4	
1	30.0000.00	RL16 spr.gun 3/8F-1/4F Bsp (1)	1					20	3	40.5047.66	Tube, 1/4Bsp MM 306mm z.pl.	1					10
1	30.0000.20	RL16 spr.gun 1/4FF Bsp (2)	1					20	4	26.0252.51	Snap ring, 1,5x15,5 mm Sst.	1					10
1	30.0000.40	RL16 spr.gun 1/4MF Bsp (3)	1					20	5	26.0260.22	Hand nut, M22x1,5 - 17,5mm black	1					10
1	30.0100.00	RL20 spr.gun 3/8F-1/4F Bsp (4)	1					20	6	26.0261.31	Plug, 14mm-1/4F Bsp brass	1					10
1	30.0100.20	RL20 spr.gun 1/4FF Bsp (5)	1					20	7	10.3109.95	O-ring, 2,4x9,3 mm Vi 70	1					25
1	30.0100.40	RL20 spr.gun A M22-1/4F Bsp (6)	1					20	8	10.4010.01	Back-up ring,10,2x13,9x1,2mm	1					50
1	30.0100.60	RL20 spr.gun 3/8M-1/4F Bsp (7)	1					20	9	16.3077.00	S/tapping screw, DIN7981 3,5x18 mm	6					10
2	30.0754.24	Casing-kit -S4 +screws	1					1	10	15.1041.00	Parallel pin, 3x25 mm Sst.	1					10

(1) 30.0050.00 (2) 30.0050.20 (3) 30.0050.40 (4) 30.0150.00 (5) 30.0150.20 (6) 30.0150.40 (7) 30.0150.60

30.0100.00 RL20 spr.gun 3/8F-1/4F Bsp
 30.0100.20 RL20 spr.gun 1/4FF Bsp
 30.0100.40 RL20 spr.gun A M22-1/4F Bsp

30.0100.50 RL20 spr.gun 3/8F-1/4F Npt
 30.0100.60 RL20 spr.gun 3/8M-1/4F Bsp



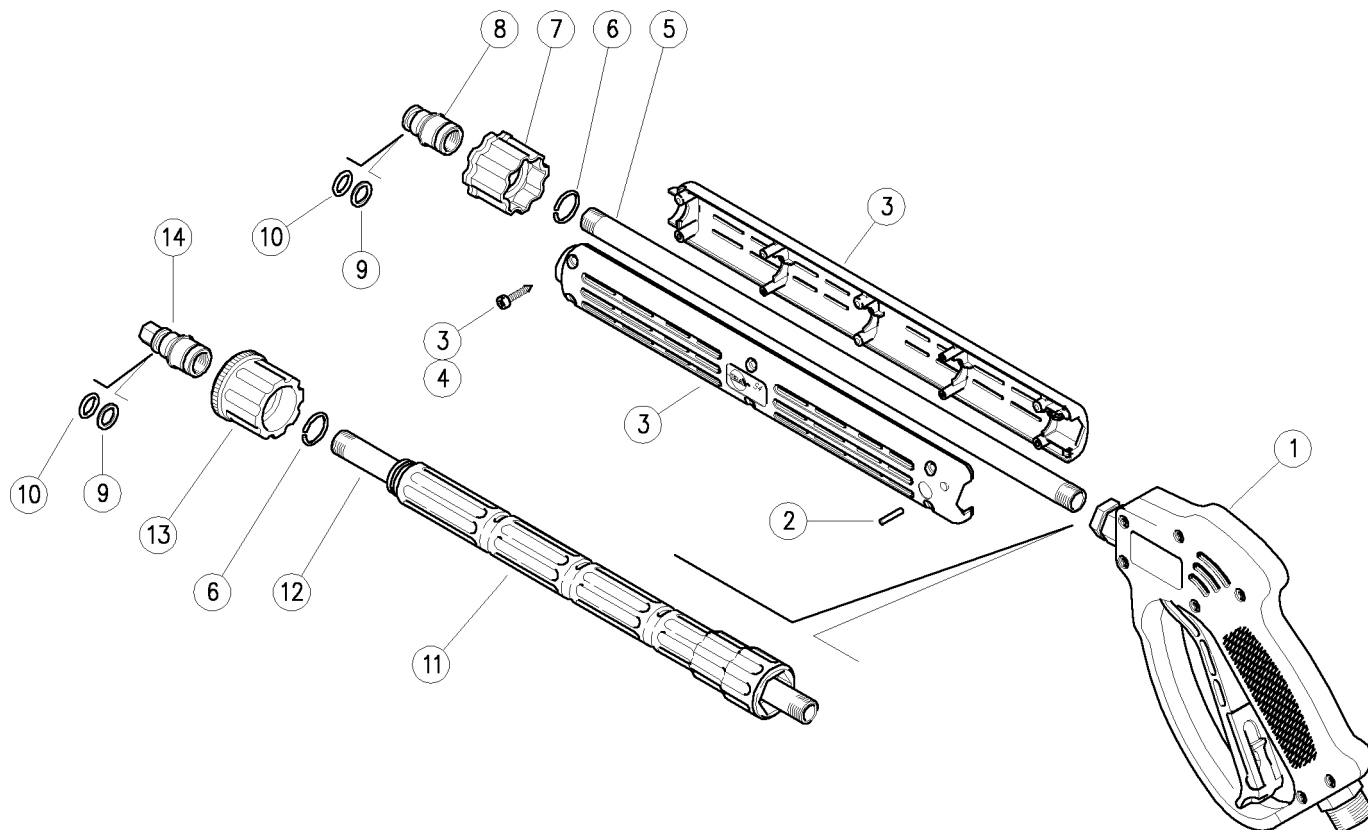
Pos.	P/N	Description	Q.ty	K1	K2	K3	K4	📦	Pos.	P/N	Description	Q.ty	K1	K2	K3	K4	📦
1	30.0108.24	Casing-kit -RL20 +screws	1					1	10	30.0106.20	Seat, 6 mm+O-ring 1mm NBR85	1	•				10
2	30.1510.84	Safety latch, PA red	1					10	11	14.7448.00	Ball, 5/16" Sst.	1	•				10
3	30.0018.84	Trigger -RL16-20, PA black	1					10	12	30.0001.51	Spring, 1,4x7,8x13,5 mm Sst.	1					10
4	30.0020.51	Parallel pin, 4x16 mm Sst.	1					10	13	10.3058.02	O-ring, 1,78x10,82 mm Ni 85	1	•				10
5	30.0509.31	Parallel pin, 5x24,5 mm brass	1					10	14	30.0103.31	Nipple, 1/4M-3/8F Bsp brass (2)	1					5
6	30.0017.35	Housing -RL16-20, 1/4F Bsp brass	1					3	14	30.0023.31	Nipple, 1/4Bsp MF brass (3)	1					3
6	30.0012.35	Housing -RL16-20, 1/4F Npt brass (1)	1					5	14	30.0105.31	Nipple, 1/4M Bsp-M22x1,5 M brass (4)	1					5
7	10.4035.00	Back-up ring, 3,1x6x1 mm	1	•				10	14	30.0104.31	Nipple, 1/4M-3/8M Bsp c/sunk brass (5)	1					5
8	10.3036.10	O-ring, 1,78x2,9 mm Vi 70	1	•				10	14	30.0012.35	Housing -RL16-20, 1/4F Npt brass (1)	1					5
9	30.0019.51	Piston, 3 mm Sst.	1	•				10	15	16.3077.00	S/tapping screw, DIN7981 3,5x18 mm	6					10

Kit	P/N	Description	📦
K1	30.0109.24	Spares kit -RL20, 7x1pcs.	1

(1) 30.0100.50 (2) 30.0100.00 (3) 30.0100.20 (4) 30.0100.40 (5) 30.0100.60

30.0740.00 RL26 spr.gun 3/8M Bsp+PL4-AR4 B M22
 30.0740.60 RL26 spr.gun A M22+PL4-AR4 B M22

30.0755.00 RL26 spr.gun 3/8M Bsp+S4-AR4 B M22
 30.0760.00 RL26 spr.gun A M22+S4-AR1 B M22

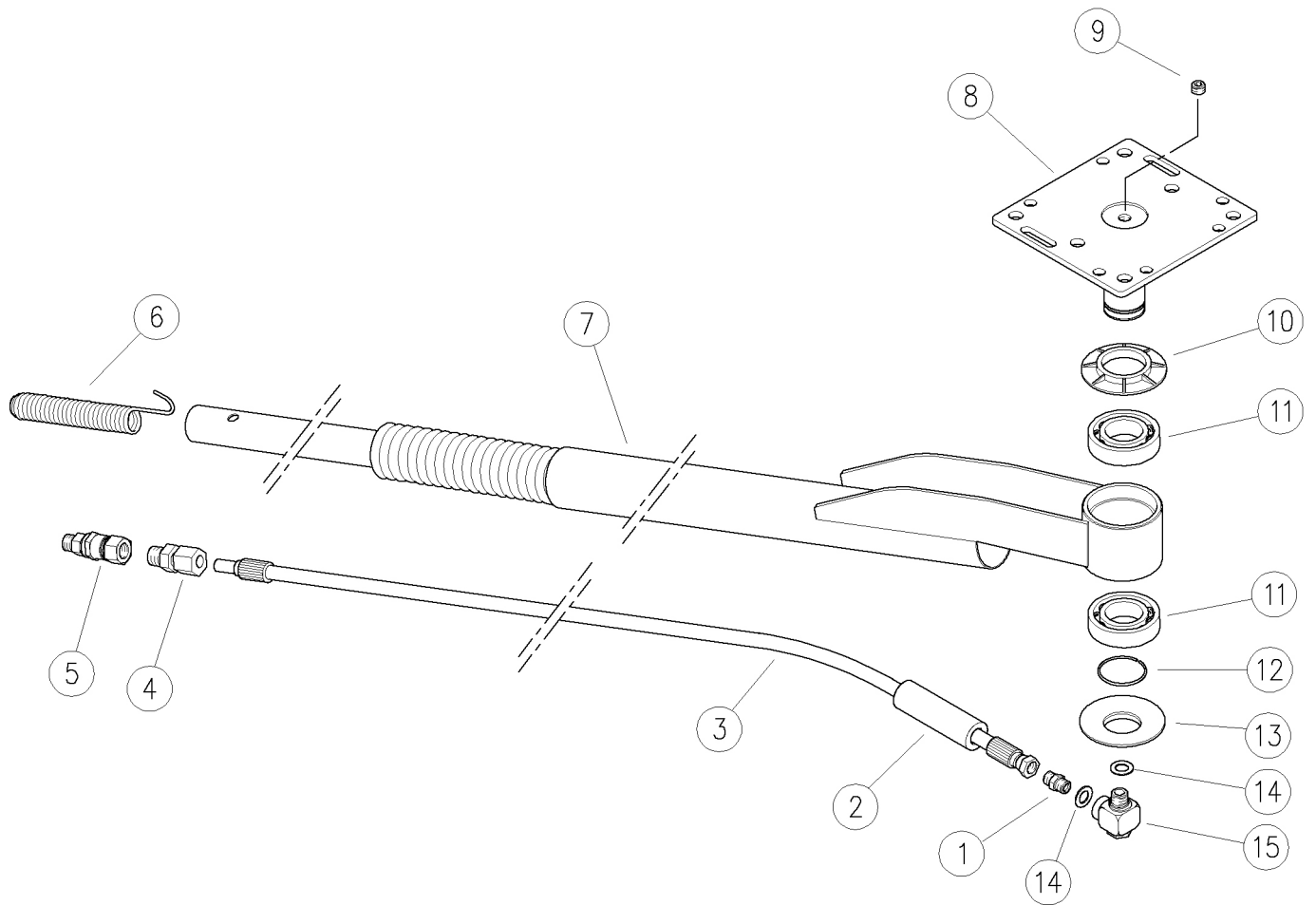


Pos.	P/N	Description	Q.ty	K1	K2	K3	K4	
1	30.1755.00	RL26 spr.gun 3/8M-1/4F Bsp	1					20
1	30.1755.60	RL26 spr.gun A M22-1/4F Bsp	1					20
2	15.1041.00	Parallel pin, 3x25 mm Sst.	1					10
3	30.0754.24	Casing-kit -S4 +screws	1					1
4	16.3077.00	S/tapping screw, DIN7981 3,5x18 mm	6					10
5	40.5047.66	Tube, 1/4Bsp MM 306mm z.pl.	1					10
6	26.0252.51	Snap ring, 1,5x15,5 mm Sst.	1					10
7	26.0260.22	Hand nut, M22x1,5 - 17,5mm black (1)	1					10

Pos.	P/N	Description	Q.ty	K1	K2	K3	K4	
8	26.0261.31	Plug, 14mm-1/4F Bsp brass (2)	1					10
9	10.4010.01	Back-up ring, 10,2x13,9x1,2mm	1					50
10	10.3109.95	O-ring, 2,4x9,3 mm Vi 70	1					25
11	41.2031.84	Lance grip -PL4, 285mm	1					10
12	41.0032.66	Tube, 1/4Bsp MM 291mm z.pl.	1					10
13	26.0221.22	Hand nut -AR4, M22x1,5 17,5mm black (3)	1					10
14	26.0201.31	Plug, 14mm+hex.10-1/4F Bsp brass (3)	1					10

(1) 30.0760.00 (2) 30.0755.00 (3) 30.0740.00

28.3150.00 BTI-1820 inclin.ceiling boom,rot.,single

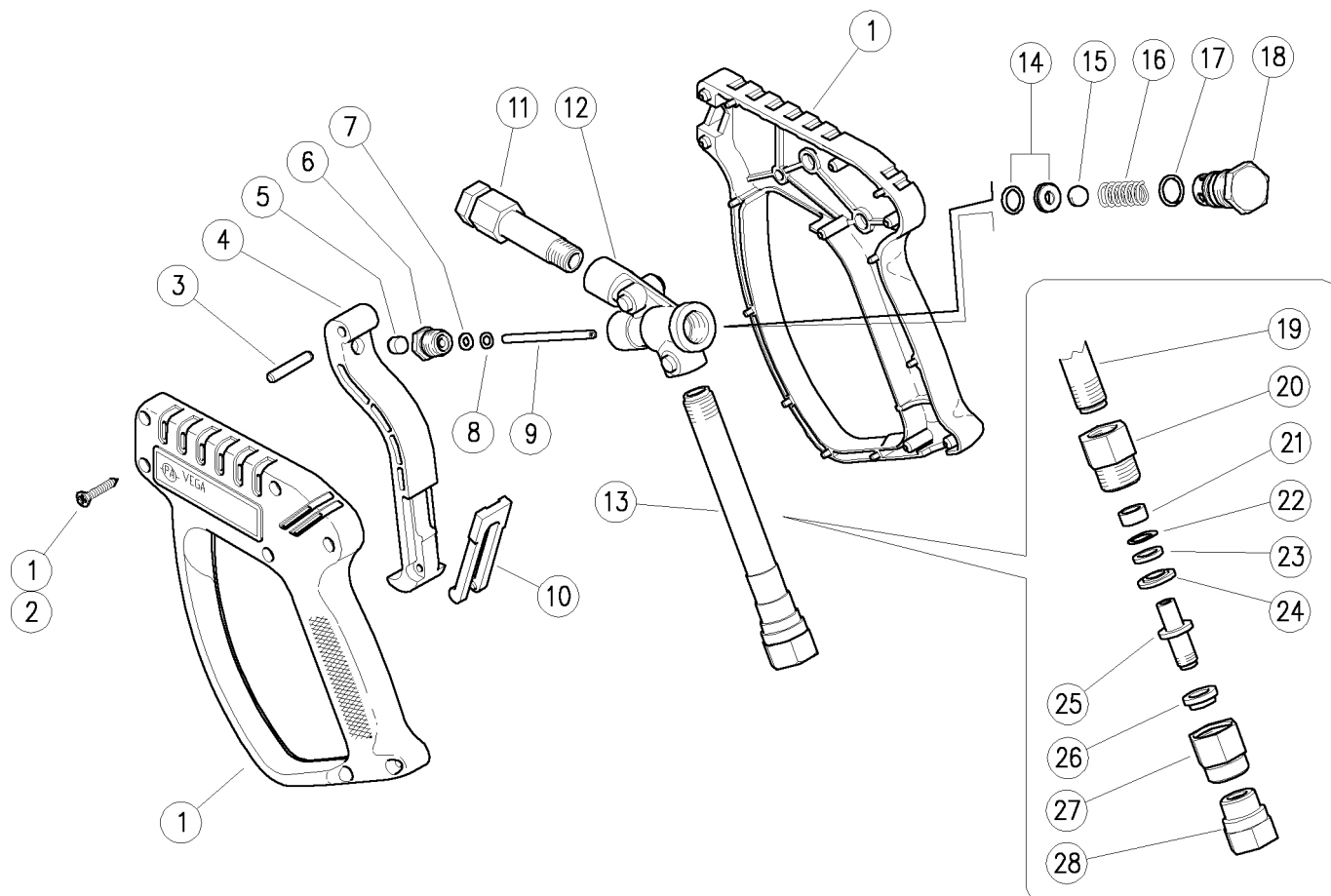


Pos.	P/N	Description	Q.ty	K1	K2	K3	K4	
1	13.5006.00	Nipple,z.pl. 1/4MM Bsp	1					25
2	28.3153.85	Hose protector 170 mm	1					10
3	16.0510.70	Hose, 1/4F Bsp-12 1,97m	1					1
4	13.5023.00	Ring fitting, 3/8M Bspt-d.12F	1					5
5	26.1200.40	SW25 Swivel,ball-bear. 3/8 MF Bsp	1					5
6	28.3003.51	Front spring, 150 mm Sst.	1					5
7	28.3151.21	Welded boom, 1820 mm Sst.	1					1
8	28.3005.21	Ceiling mount pin, Sst.	1					1

Pos.	P/N	Description	Q.ty	K1	K2	K3	K4	
9	28.0364.31	Plug, int.hex. 1/4 Bspt brass	1					10
10	28.3001.84	Guard ring, PVC black	1					10
11	11.4439.68	Ball-bearing, 40x68x15 mm - 2RS1	2					2
12	28.3002.51	Snap ring, 2,5x36,8 mm Sst.	1					10
13	28.3004.84	Guard ring, PVC black	1					10
14	14.3813.22	Washer, 13,2x22x1,5 mm alu.	2					25
15	26.1300.20	SW90 Swivel 90°, sst, 1/4 MF Bsp	1					5

30.2000.00 Vega spr.gun 3/8F-1/4F Bsp
 30.2000.50 Vega spr.gun 3/8F-1/4F Npt
 30.2030.00 Vega spr.gun+sw.8 3/8F-1/4F Bsp

30.2030.80 Vega spr.gun+sw.8 3/8M-1/4F Bsp
 30.2035.00 Vega+sw8 spr.gun 3/8F-1/4F

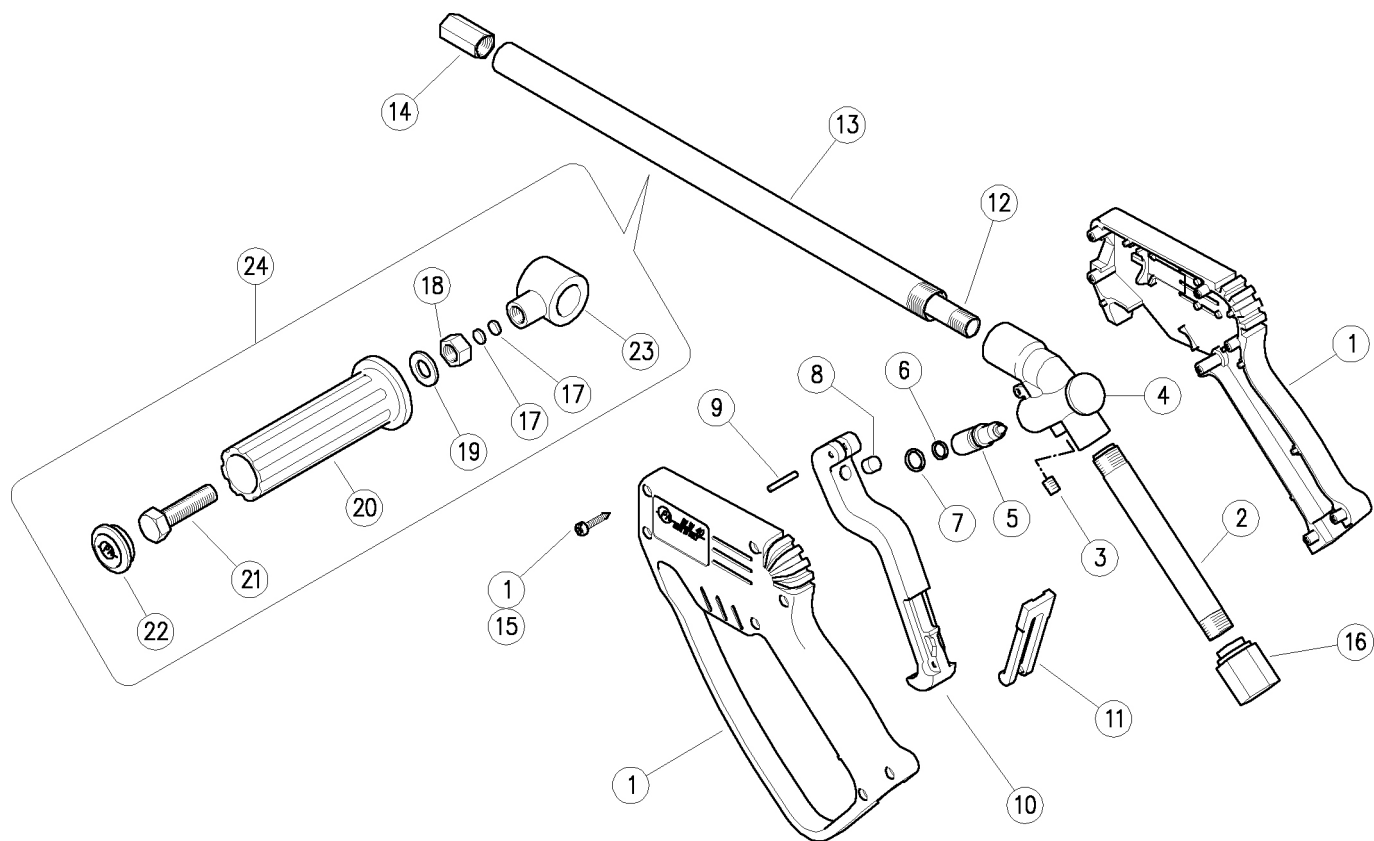


Pos.	P/N	Description	Q.ty	K1	K2	K3	K4
1	30.2026.24	Casing-kit -VEGA +screws	1				1
2	16.3077.00	S/tapping screw, DIN7981 3,5x18 mm	7				10
3	30.2517.31	Parallel pin, 5x27,5 mm brass	1				10
4	30.2506.84	Trigger -RL31, PA black	1				10
5	30.0675.84	Stop pin, 8x7,1mm PA	1				10
6	30.4115.31	Front Plug, M10x1 brass	1				10
7	10.4018.00	Back-up ring, 3,2x7,5x1,2 mm	1	•	•		10
8	10.3165.00	O-ring, 2,62x2,84 mm Vi 70	1	•	•		10
9	30.2007.51	Piston, 3 mm Sst.	1	•	•		10
10	30.1510.84	Safety latch, PA red	1				10
10	30.1514.84	Safety latch, PA yellow (1)	1				10
11	30.2006.35	Front tube, 1/4F Bsp 72 mm brass	1				5
11	30.2008.35	Front tube, 1/4F Npt 72 mm brass (2)	1				10
12	30.2005.35	Housing -VEGA, brass	1				3
13	30.2533.35	Back tube, 3/8F Bsp brass	1				5
13	30.2534.35	Back tube, 3/8F Npt brass (2)	1				5
14	30.2014.20	Seat, 6mm Sst.+O-ring 1,78mm	1	•	•		10

Pos.	P/N	Description	Q.ty	K1	K2	K3	K4
15	14.7443.10	Ball, 11/32" Sst.	1	•	•		10
15	14.7444.00	Ball, 11/32" ceramics (1)	1				10
16	30.2003.51	Spring, 1,6x7x22 mm Sst.	1				10
17	10.3060.01	O-ring, 1,78x12,42 mm Ni 85	1	•	•		10
18	30.2004.31	Spring holder, M18x1 brass	1				5
19	30.2532.36	Tube, M15 94 mm brass (3)	1				10
20	30.2531.31	Coupl., M20x1 M brass	1	•			5
21	30.0728.84	Bushing, 9x13x6 mm plast. black	1	•	•		10
22	10.3109.93	O-ring, 2,4x8,3 mm Vi 70	1	•	•		10
23	10.4008.50	Back-up ring, 9x13,2x1,2 mm	1	•	•		10
24	30.0729.31	Spacer ring, 9x19x3 mm brass	1	•			10
25	30.1553.31	Pin -SW, M10x1,25 M brass	1	•			5
25	30.1553.51	Pin -SW, M10x1,25 M sst. (1)	1				3
26	30.0730.84	Bushing, 10x17x6 mm plast. black	1	•	•		10
27	30.0733.31	Nipple, M20x1 F brass	1	•			5
28	30.3061.31	Coupl., M10x1,25F-3/8F Bsp brass (3)	1	•			5
28	30.3066.31	Coupl., M10x1,25F-3/8M Bsp c/sunk brs. (4)	1				5

Kit	P/N	Description	Q.ty
K1	30.2031.24	Spare kit -VEGA, 7x1pcs.	1
K2	30.9326.99	Kit -Sw8, M15F -3/8F Bsp	5
K3	30.2034.24	Spare kit -VEGA+sw8, 11x1pcs.	1

(1) 30.2035.00 (2) 30.2000.50 (3) 30.2030.00 (4) 30.2030.80



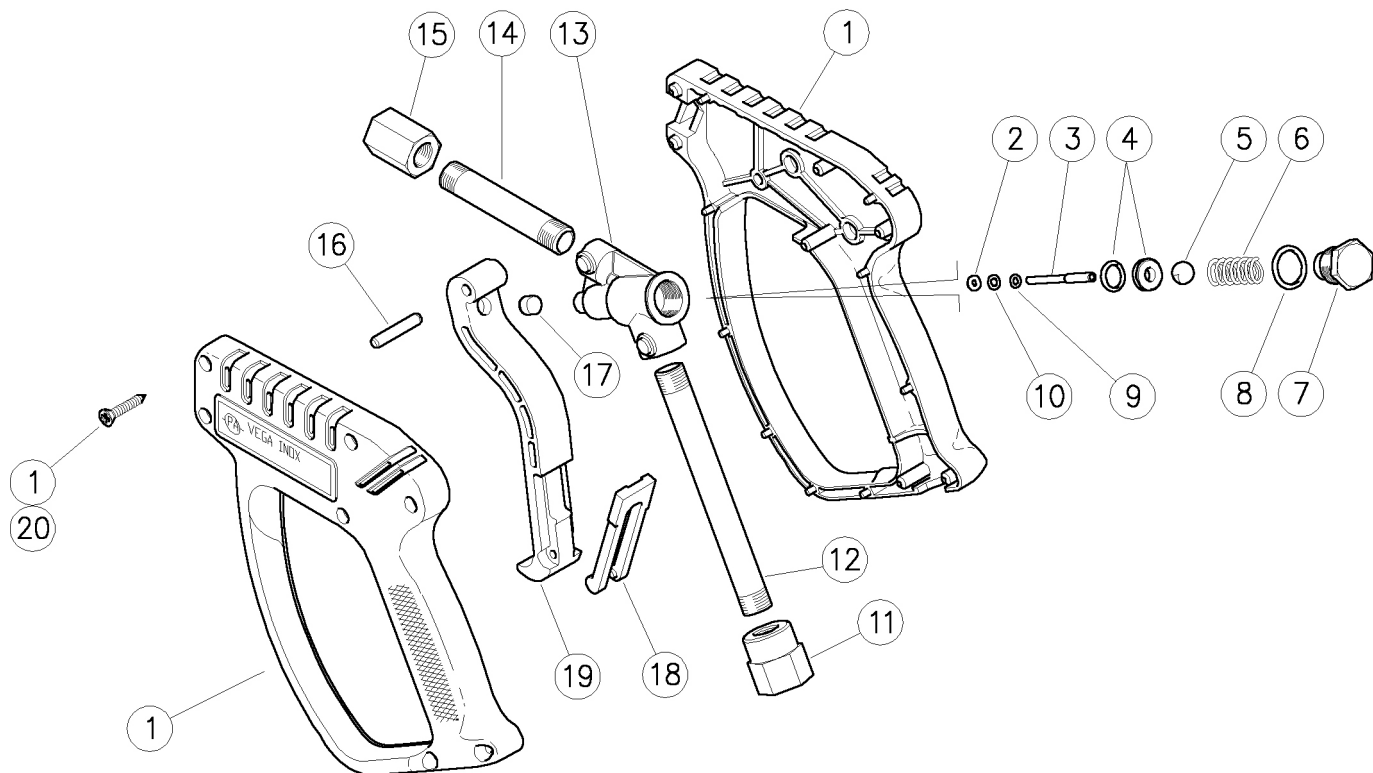
Pos.	P/N	Description	Q.ty	K1	K2	K3	K4	
1	30.3027.24	Casing-kit -RLW40 +screws, Sst.	1					1
2	30.3032.66	Tube, 1/4Bsp MM 125 mm z.pl.	1					1
3	16.2200.00	Set screw, DIN913 M6x6 mm	1					10
4	30.3001.35	Housing -RLW40, brass	1					1
5	30.3008.23	Piston, complete RLW40	1	•				5
6	10.3057.00	O-ring, 1,78x9,25 mm	1	•				10
7	10.3055.00	O-ring, 1,78x7,66 mm	1	•				10
8	30.0674.51	Stop pin, 8x6,9mm Sst.	1					10
9	15.1036.00	Parallel pin, 3x20 mm Sst.	1					10
10	30.3217.84	Trigger -RLW40, plast., black	1					5
11	30.1054.84	Safety latch, plast. black	1					10
12	30.3005.56	Tube, M12x1 MM 460mm Sst.	1					5
12	30.3010.56	Tube, M12x1 MM 1050 mm Sst. (1)	1					1
13	30.3006.56	Tube, M18x1 MM 445mm Sst.	1					5
13	30.3011.56	Tube, M18x1 MM 1035 mm Sst. (1)	1					1
14	30.3009.51	Coupling, M12x1F-1/8F Npt Sst.	1					5
15	16.3075.51	S/tapping screw, DIN7981 3,5x18 mm Sst.	7					10
16	30.3212.61	Coupl., 1/4F Bsp-3/8F Npt z.pl.	1					10
17	13.5305.00	Plate, 8x1,5 mm Cu	2					10
18	11.4627.00	Hex. nut, M10	1					10
19	14.3799.00	Washer, 10x21x2 mm	1					10
20	41.0409.84	Knob, 32x115 mm PP black	1					5
21	16.2035.00	Screw, DIN933 M10x35 mm z.pl.	1					10
22	41.0411.84	Plug, Knob PP black	1					5
23	30.3013.35	Knob holder, M10x1,5	1					3
24	30.3035.24	Knob-kit -RLW40	1					5

Kit	P/N	Description	
K1	30.3012.24	Spares kit -RLW40, 3x1pcs.	1

(1) 30.3100.50

30.3150.00 Vega Inox spr.gun,sst 3/8F-1/4F Bsp

30.3150.50 Vega Inox spr.gun,sst 3/8F-1/4F Npt

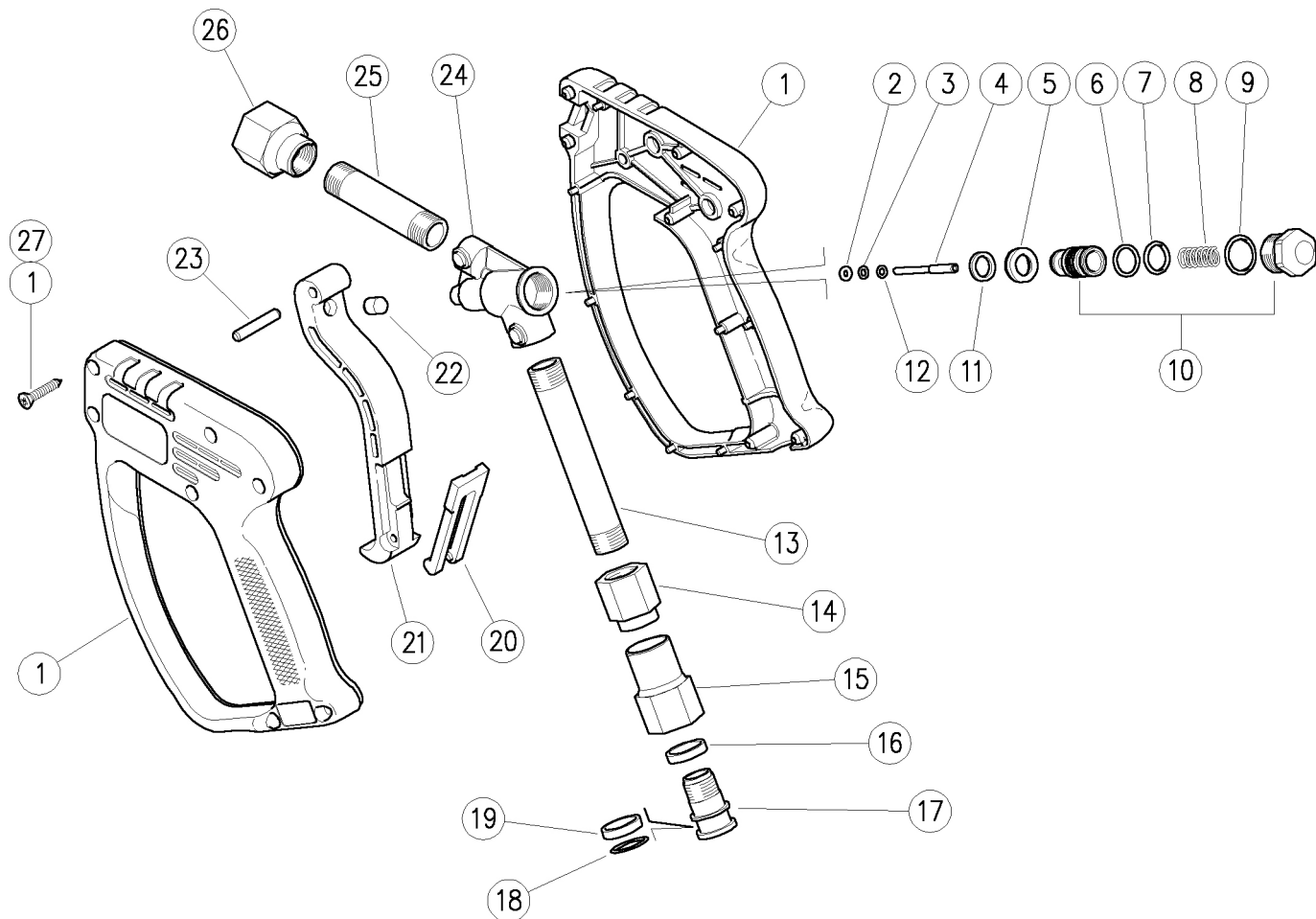


Pos.	P/N	Description	Q.ty	K1	K2	K3	K4	
1	30.3157.24	Casing-kit -VEGA inox +screws, Sst.	1					1
2	10.4018.00	Back-up ring, 3,2x7,5x1,2 mm	1	•				10
3	30.2516.51	Piston, 3 mm Sst.	1	•				10
4	30.2014.20	Seat, 6mm Sst.+O-ring 1,78mm	1	•				10
5	14.7443.10	Ball, 11/32" Sst.	1	•				10
6	30.3054.51	Spring, 1,6x9,7x22 mm Sst.	1	•				10
7	30.3053.51	Plug, M16x1 M Sst.	1					5
8	10.3064.01	O-ring, 1,78x14 mm Ni 85	1	•				10
9	14.3511.00	Washer, 3,2x7x0,5 mm sst.	1					10
10	10.3165.00	O-ring, 2,62x2,84 mm Vi 70	1	•				10
11	30.3155.51	Coupl., 1/4F Bspt-3/8F Bsp Sst.	1					5

Pos.	P/N	Description	Q.ty	K1	K2	K3	K4	
11	30.3156.51	Coupl., 1/4F Bspt-3/8F Npt Sst. (1)	1					5
12	30.3154.56	Tube, 1/4Bspt MM 127mm Sst.	1					5
13	30.3152.55	Housing -VEGA, Sst.	1					3
14	30.3153.56	Tube, 1/4Bspt MM 70mm Sst.	1					5
15	30.2009.51	Coupling, 1/4F Bsp-1/4F Bspt Sst.	1					5
15	30.2037.51	Coupling, 1/4F Npt-1/4F Bspt Sst. (1)	1					5
16	30.2517.31	Parallel pin, 5x27,5 mm brass	1					10
17	30.0675.84	Stop pin, 8x7,1mm PA	1					10
18	30.1510.84	Safety latch, PA red	1					10
19	30.2506.84	Trigger -RL31, PA black	1					10
20	16.3075.51	S/tapping screw, DIN7981 3,5x18 mm Sst.	7					10

Kit	P/N	Description	
K1	30.2528.24	Spares kit -VEGA inox - RL31 7x1pcs.	1

(1) 30.3150.50



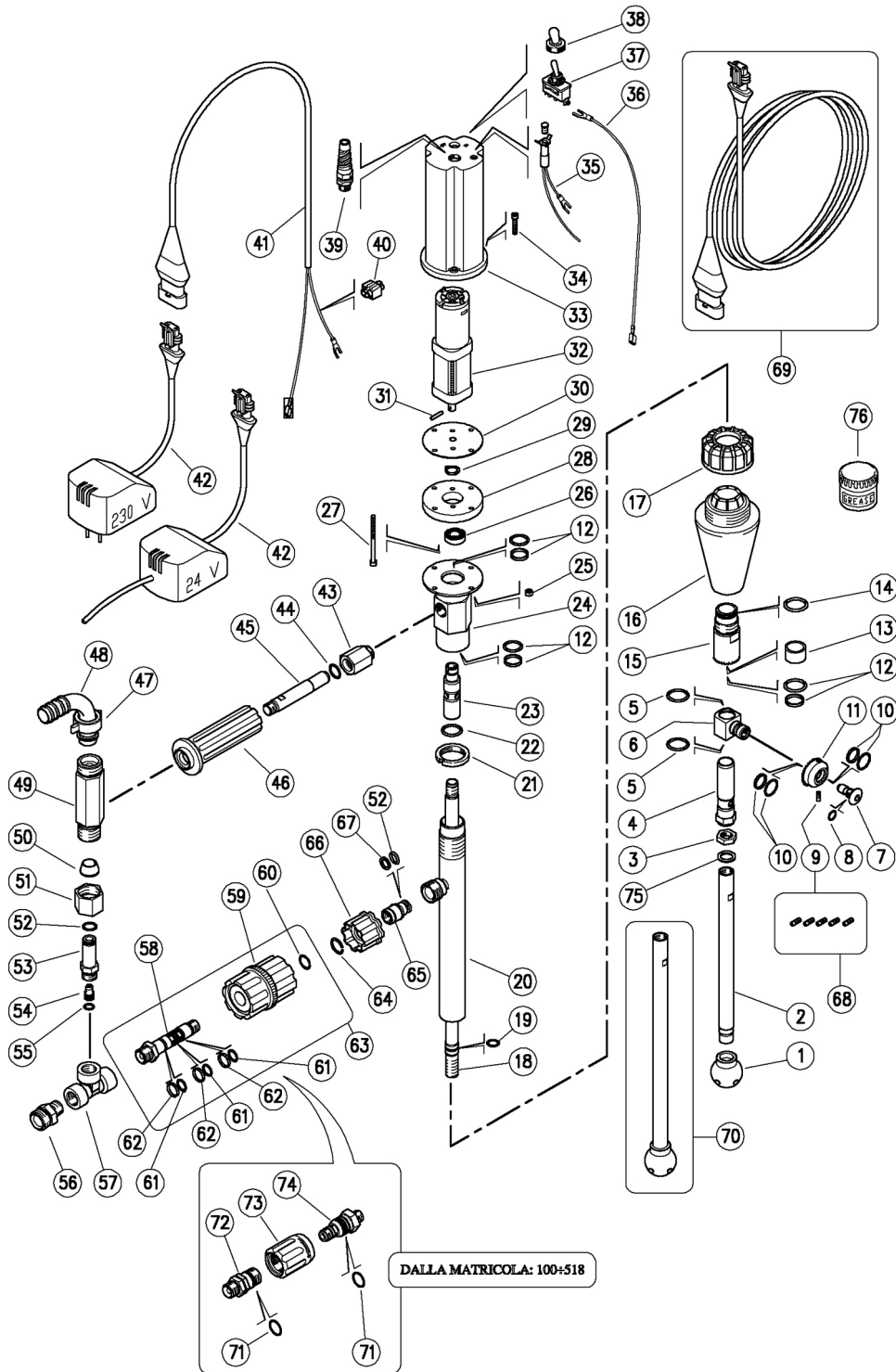
Pos.	P/N	Description	Q.ty	K1	K2	K3	K4	Pos.	P/N	Description	Q.ty	K1	K2	K3	K4
1	30.3188.24	Casing-kit -RL60 +screws, Sst.	1				1	15	30.3182.51	Coupl., 1/2F Bsp Sst.	1				3
2	10.4018.00	Back-up ring, 3,2x7,5x1,2 mm	1	•				16	26.1074.85	Bushing, 15,5x19x4 mm PTFE	1	•			5
3	10.3165.00	O-ring, 2,62x2,84 mm Vi 70	1	•				17	26.1072.51	Pin, M15x1-19 mm Sst.	1	•			5
4	30.2516.51	Piston, 3 mm Sst.	1	•				18	10.3092.10	O-ring, 2x15 mm Vi 70	1	•			10
5	30.3179.85	Seat, 10x16,3x4,5 mm PTFE	1	•				19	26.1075.85	Bushing, open 15,5x19x4 mm PTFE	1	•			5
6	10.4157.00	Stem seal, 12,4x14x2 mm	1	•				20	30.1510.84	Safety latch, PA red (1)	1				10
7	10.3020.10	O-ring, 1,5x10 mm Vi 70	1	•				20	30.1515.84	Safety latch, PA blue (2)	1				10
8	30.1507.51	Spring, 1,4x9x21 mm Sst.	1					21	30.2506.84	Trigger -RL31, PA black	1				10
9	10.3003.10	O-ring, 1x15 mm Vi 70	1	•				22	30.0675.51	Stop pin, 8x7,1mm Sst.	1				10
10	30.3185.24	Spares kit -RL60, Plug+Piston (1)	1				1	23	30.2517.31	Parallel pin, 5x27,5 mm brass	1				10
10	30.3189.24	Spares kit -RL60, Plug+Piston 1 mm (2)	1				1	24	30.3175.55	Housing -RL60, Sst.	1				3
11	30.3178.51	Spacer ring, Sst.	1				3	25	30.3180.56	Tube, M16x1 MM 57mm Sst.	1				3
12	14.3511.00	Washer, 3,2x7x0,5 mm sst.	1				10	26	30.3171.51	Coupl., M16x1F-1/2F Bsp Sst.	1				3
13	30.3173.56	Tube, M16x1 MM 96mm Sst.	1				5	27	16.3075.51	S/tapping screw, DIN7981 3,5x18 mm Sst.	7				10
14	30.3181.51	Coupl., M16x1F-M15x1F Sst.	1				3								

Kit	P/N	Description	Q.ty
K1	30.3183.24	Repair kit -RL60+sw, 11x1pcs.	1

(1) 30.3170.00 (2) 30.3170.90

25.4350.00 M25E Barrel cl.,elect.driv+suction
25.4350.24 M25E Barrel cl.,elect.driv+suction AUS

25.4350.25 M25E Barrel cl.,el.driv+suct.24V AC
25.4350.60 M25E Barrel cl.,+suct. 115V AC/60Hz USA



Pos.	P/N	Description	Q.ty	K1	K2	K3	K4	Pos.	P/N	Description	Q.ty	K1	K2	K3	K4
1	80.0330.81	Pierced buffer, POM white	1				5	36	12.5019.25	Cable, 1x0,75 L.250 mm	1				5
2	80.0329.56	Suction tube, 1/4F Bsp 280mm Sst.	1				5	37	12.5016.10	On/off unipol. switch	1				3
3	80.0328.51	Ring nut, 1/4F Bsp Sst.	1				5	38	12.5016.05	Switch protector	1				5
4	80.0327.51	Seal holding pin, Sst.	1				5	39	13.5997.00	Cable gland 1/4 +protection	1				5
5	10.3010.10	O-ring, 1x18 mm Vi 70	2	•	•	•	10	40	12.5019.47	Wire tap-in	1				5
6	80.0331.51	Stator, Sst.	1				1	41	12.5019.10	Cable, 2x1,5 mm 10m+F connection	1				5
7	80.0325.51	Pin, M10x1 Sst.	1				1	42	12.5071.00	Transf. 230VAC/12VDC EU (1)	1				1
8	10.3055.10	O-ring, 1,78x7,66 mm Vi 70	1	•	•	•	10	42	12.5071.24	Transf. 240VAC/12VDC AUS (2)	1				1
9	15.3704.00	Plug, M4 plast.	2				4	42	12.5071.25	Transf. 24VAC/12VDC EU (3)	1				1
9	80.0350.51	Nozzle, 02 - 1,0mm - M4 Sst. light green	2	•			10	42	12.5071.60	Transf. 115VAC-60Hz/12VDC USA (4)	1				1
9	80.0351.51	Nozzle, 025 - 1,1mm - M4 Sst. pink	2	•			10	43	80.0338.31	Coupl., M16x1 M brass+Ni	1				10
9	80.0352.51	Nozzle, 03 - 1,2mm - M4 Sst. white	2	•			10	44	10.3179.10	O-ring, 2,62x13,94 mm Vi 70	1	•	•	•	10
9	80.0353.51	Nozzle, 035 - 1,3mm - M4 Sst. brown	2	•			10	45	80.0337.56	Intake tube, 1/4M Bsp 113mm Sst.	1				3
9	80.0354.51	Nozzle, 04 - 1,4mm - M4 Sst. yellow	2	•			10	46	80.0344.85	Knob, 32x110mm PP black	1				5
10	10.2030.00	Stem seal, 15x20x2,2 mm +O-ring	2	•	•	•	4	47	80.0347.35	Hand nut, G3/4 brass+Ni	1				5
11	80.0326.51	Nzl hold. pinion, z.41 M4 FF Sst.	1				3	48	80.0346.35	Elbow+hose barb, 20mm brass+Ni	1				3
12	10.2030.18	Stem seal, 18x23x2 mm +O-ring Epdm	3	•	•	•	5	49	80.0336.31	Venturi fitting, brass+Ni	1				3
13	80.0024.85	Bushing, opn. 18x22x14,8mm PTFE	1				5	50	80.0335.81	Taper.ring.opn. 14x20x11mm POM white	1				10
14	10.3026.10	O-ring, 1,5x20 mm Vi 70	1	•	•	•	10	51	80.0334.31	Ring nut, M24x1,5 brass+Ni	1				5
15	80.0372.23	Pinion, z.34 Sst.+bushing,opn.15mm PTFE	1				3	52	10.3109.95	O-ring, 2,4x9,3 mm Vi 70	2	•	•	•	25
16	80.0021.84	Tapered plug, TPEs black	1				3	53	80.0333.31	Nozzle holder, 3/8M Bsp brass+Ni	1				3
17	80.0316.84	Ring nut, PP black	1				10	54	25.0019.51	Nozzle, 02 d.10,5x15 mm Sst.	1				5
18	80.0322.56	Tube, 1/4Bsp MM 600mm Sst.	1				3	55	10.3052.00	O-ring, 1,78x6,75 mm	1	•	•	•	25
18	80.0389.56	Tube, 1/4Bsp MM 500mm Sst.	1				3	56	80.0348.31	Coupl., 3/8M Bsp-M22x1 M brass+Ni	1				3
19	10.3007.10	O-ring, 1x12 mm Vi 70	1	•	•	•	10	57	80.0349.35	T-fitting, 3/8Bsp FFF brass+Ni	1				3
20	80.0343.21	Tube + coupling, M22 Sst.	1				3	58	80.0402.31	Slide valve, 3/8M-1/4M Bsp brass	1				3
20	80.0390.21	Special tube + coupling, M22 Sst.	1				3	59	80.0403.21	Knob, PA black + Insert, brass	1				3
21	80.0012.51	Ring nut, M28x1 Sst.	1				1	60	29.0402.51	Snap ring, 1,6x14,3 mm Sst.	1				5
22	10.3205.10	O-ring, 2,62x26,64 mm Vi 70	1	•	•	•	10	61	10.3058.10	O-ring, 1,78x10,82 mm Vi 70	3			•	10
23	80.0321.51	Propeller shaft, Sst.	1				1	62	10.4058.00	Back-up ring, opn. 14x16x2 mm	3			•	10
24	80.0341.21	Manifold, Sst.	1				2	63	80.0400.00	Flow regulator -RF1, 3/8M -1/4M Bsp	1				3
25	11.4513.10	Hex. nut, M4, Sst.	4				10	64	26.0252.51	Snap ring, 1,5x15,5 mm Sst.	1				10
26	11.4412.28	Ball-bearing, 12x28x8 mm - 2RS1 Sst.	1				3	65	26.0261.31	Plug, 14mm-1/4F Bsp brass	1				10
27	16.1860.00	Screw, DIN912 M4x60 mm Sst.	2				10	66	26.0260.22	Hand nut, M22x1,5 - 17,5mm black	1				10
28	80.0318.41	Motor flange	1				3	67	10.4010.01	Back-up ring,10,2x13,9x1,2mm	1	•	•	•	50
29	10.0999.05	Snap ring, E 12 Sst.	1				10	68	25.4320.24	Nozzle kit M4 - M21E 2x5pcs.	1				1
30	80.0317.88	Motor seal, NBR	1				2	69	25.4353.20	Exten.-M21E 20m 12V DC MF **	1				1
31	15.1030.00	Roll pin, 3x16 mm Sst.	1				10	70	80.0380.00	Suction tube, for Ø940mm barrel **	1				1
32	13.0827.00	Gearmotor, 12V 10Rpm	1				1	70	80.0386.00	Suction tube, for Ø1070mm barrel **	1				1
33	80.0301.84	Motor casing, PA black	1				1	71	10.3066.10	O-ring, 1,78x15,6 mm Vi 70	2		•		10
34	16.1856.00	Screw, DIN912 M4x25 mm Sst.	4				10	75	14.3911.00	Washer, 13,5x19x1,5 mm Cu	1				10
35	12.5019.31	Pilot lamp	1				5	76	14.6552.00	Teflon silicon grease x30g.>All **	1				2

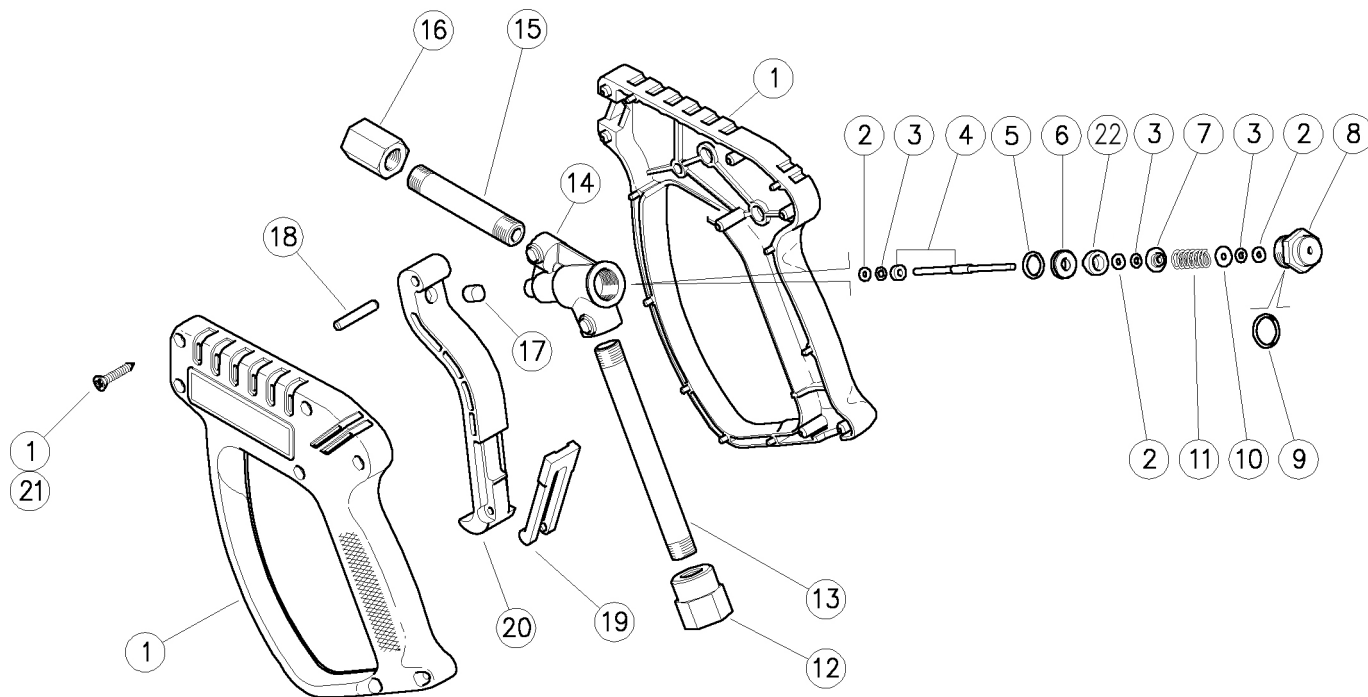
** On request

Kit	P/N	Description	Q.ty
K1	25.4320.24	Nozzle kit M4 - M21E 2x5pcs.	1
K2	25.4356.24	Seals Kit -M25E (S/No.1-100) 13x1pcs.	1
K3	25.4357.24	Seals Kit - M25E (S/No.101-518) 12x1pcs.	1
K4	25.4360.24	Seals Kit - M25E (S/No.519>) 13x1pcs.	1

(1) 25.4350.00 (2) 25.4350.24 (3) 25.4350.25 (4) 25.4350.60

30.5650.00 Nova400 spr.gun,sst 3/8F-1/4F Bsp

30.5650.50 Nova400 spr.gun,sst 3/8F-1/4F Npt



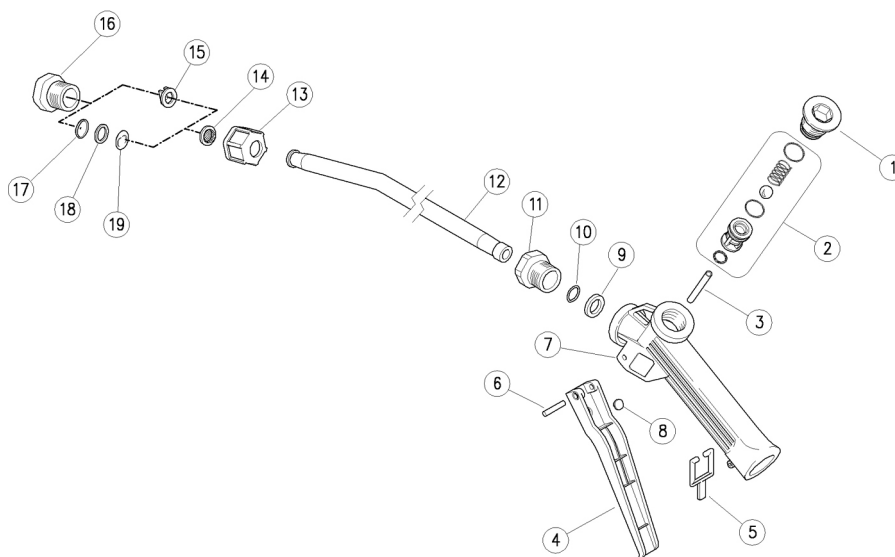
Pos.	P/N	Description	Q.ty	K1	K2	K3	K4		Pos.	P/N	Description	Q.ty	K1	K2	K3	K4	
1	30.5521.24	Casing-kit -Nova 400 +screws, Sst.	1					1	12	30.3156.51	Coupl., 1/4F Bspt-3/8F Npt Sst. (2)	1					5
2	10.4018.00	Back-up ring, 3,2x7,5x1,2 mm	3	•				10	13	30.3154.56	Tube, 1/4Bspt MM 127mm Sst.	1					5
3	10.3165.00	O-ring, 2,62x2,84 mm Vi 70	3	•				10	14	30.3152.55	Housing -VEGA, Sst.	1					3
4	30.5659.21	Piston +Bushing	1	•				5	15	30.3153.56	Tube, 1/4Bspt MM 70mm Sst.	1					5
5	10.3059.01	O-ring, 1,78x11,11 mm Ni 85	1	•				10	16	30.2009.51	Coupling, 1/4F Bsp-1/4F Bspt Sst. (1)	1					5
6	30.5516.51	Seat, 6,0x13,9 mm	1	•				3	16	30.2037.51	Coupling, 1/4F Npt-1/4F Bspt Sst. (2)	1					5
7	30.5502.51	Spring washer, Sst.	1					3	17	30.0675.84	Stop pin, 8x7,1mm PA	1					10
8	30.5651.51	Plug, M16x1 Sst.	1					5	18	30.2517.31	Parallel pin, 5x27,5 mm brass	1					10
9	10.3064.01	O-ring, 1,78x14 mm Ni 85	1	•				10	19	30.1510.84	Safety latch, PA red	1					10
10	30.5507.51	Washer, 3,3x10x,5 mm Sst.	1					10	20	30.2506.84	Trigger -RL31, PA black	1					10
11	30.5508.51	Spring, 1,6x10x22 mm Sst.	1					5	21	16.3075.51	S/tapping screw, DIN7981 3,5x18 mm Sst.	7					10
12	30.3155.51	Coupl., 1/4F Bspt-3/8F Bsp Sst. (1)	1					5	22	30.5501.61	Piston -Nova 400	1	•				3

Kit	P/N	Description	
K1	30.5655.24	Repair kit -Nova 400, 7x1pcs.	1

(1) 30.5650.00 (2) 30.5650.50

15.0006.01 CP600-02 lan,PVC,600mm+fl.fan nzl.110°
 15.0006.02 CP600-03 lan,PVC,600mm+fl.fan nzl.110°
 15.0006.03 CP600-04 lan,PVC,600mm+fl.fan nzl.110°
 15.0006.04 CP600-045 lan,PVC,600mm+fl.fan nzl.110°
 15.0006.05 CP600-06 lan,PVC,600mm+fl.fan nzl.110°

15.0006.06 CP600-08 lan,PVC,600mm+fl.fan nzl.110°
 15.0006.51 CP600-025 lan,PVC,600mm+con.nzl 1,0mm
 15.0006.52 CP600-035 lan,PVC,600mm+con.nzl 1,2mm
 15.0006.53 CP600-05 lan,PVC,600mm+con.nzl 1,5mm

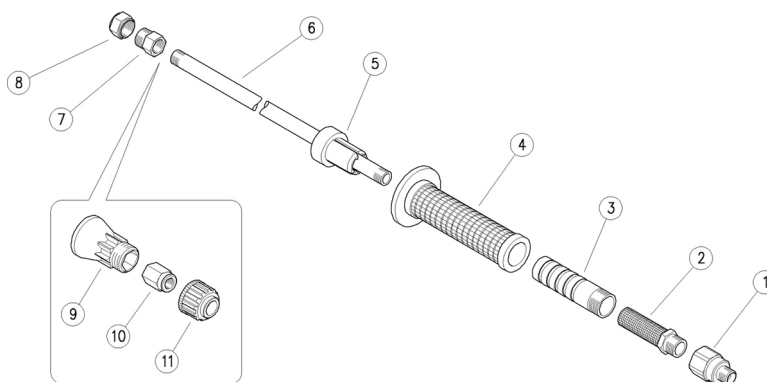



Pos.	P/N	Description	Q.ty	K1	K2	K3	K4		Pos.	P/N	Description	Q.ty	K1	K2	K3	K4	
1	13.0003.24	Plug -Universal, PP black	1					5	15	2.0150.01	Nozzle, 110°-02 d. 0,9 mm yellow (1)	1					10
2	99.0003.04	Spares kit,Universal gun, blue trigger	1					1	15	2.0150.02	Nozzle, 03-110° 1,1 mm blue (2)	1					10
3	12.0050.08	Parallel pin, 5x36 mm Sst.	1					5	15	2.0150.03	Nozzle-04 110° D.1,3mm red (3)	1					10
4	13.0003.36	Gray trigger -Universal gun	1					3	15	2.0150.04	Nozzle 05-110° d.1,4 mm brown (4)	1					10
5	13.0003.30	Red safety latch, Universal gun	1					10	15	2.0150.05	Nozzle 06-110° d.1,6 mm grey (5)	1					10
6	12.0050.21	Parallel pin, 4x28 mm	1					5	15	2.0150.06	Nozzle, 08-110° d.1,8 mm white (6)	1					10
7	13.0003.11	Casing -Universal gun, PP	1					10	16	13.0003.65	Red nozzle holder -1/2M Bsp CP600	1					10
8	13.0003.28	Stop pin, 8x7 mm	1					5	17	2.0150.51	Nozzle, cone pattern 1,0 mm Sst. (7)	1					10
9	13.0003.50	Front seal, 14x18,4x2 mm PP	1					5	17	2.0150.52	Nozzle, cone pattern 1,2 mm Sst. (8)	1					10
10	10.3059.00	O-ring, 1,78x11,11 mm	1					10	17	2.0150.53	Nozzle, cone pattern 1,5 mm Sst. (9)	1					10
11	13.0003.66	Tube fitting CP600	1					5	17	2.0150.54	Nozzle, cone pattern 1,8 mm Sst.	1					10
12	12.0080.12	Tube -CP600, PVC black	1					5	18	2.0151.03	Seal, 10,7x14,8x2 mm PP (7,8,9)	1					10
13	13.0003.64	Ring nut -CP600, 1/2M Bsp	1					10	19	2.0151.02	Deflector vane, L.P. nozzle (7,8,9)	1					10
14	2.0151.01	Strainer, Sst.	1					10									

(1) 15.0006.01 (2) 15.0006.02 (3) 15.0006.03 (4) 15.0006.04 (5) 15.0006.05 (6) 15.0006.06 (7) 15.0006.51 (8) 15.0006.52 (9) 15.0006.53


40.0110.00 LS11 lan,sst,700mm+strain+nzl/hold.

40.0110.14 LS11 lan,sst,700mm+strain+nzl/hold+prot

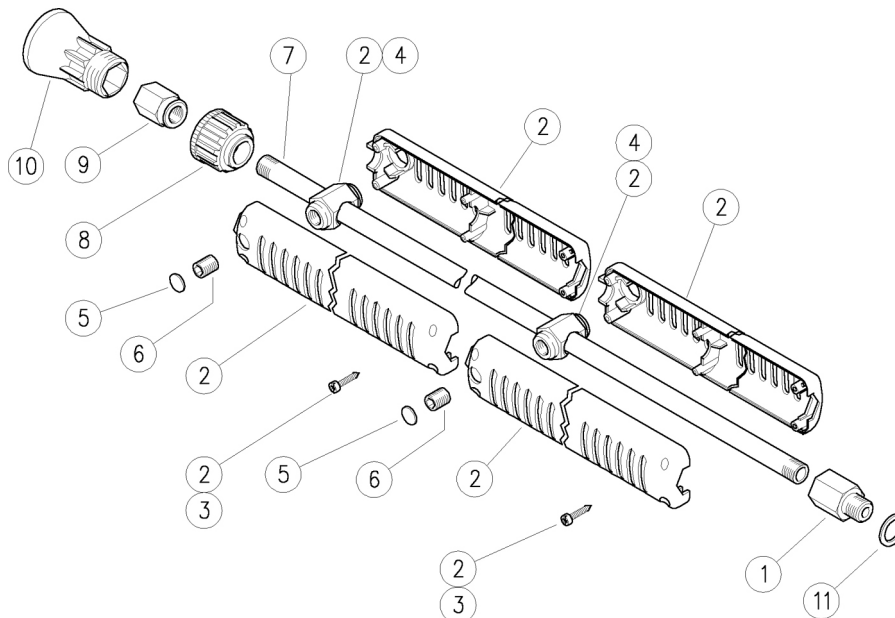


Pos.	P/N	Description	Q.ty	K1	K2	K3	K4	
1	40.0113.31	Strain.hold., M22x1M-1/4M Bsp c/sunk brs	1					5
2	40.0118.21	Strainer, M18x1 PA+Sst.	1					5
3	40.0120.31	Coupling, M22x1M-1/4Bsp F	1					5
4	40.0119.85	Knob	1					5
5	40.5004.84	End plug, 13 mm plast.	1					1
6	40.7604.56	Tube,sst 600mm straight. 1/4MM Bsp	1					50

(1) 40.0110.14

Pos.	P/N	Description	Q.ty	K1	K2	K3	K4	
7	40.0116.31	Nozzle holder, 3/8M-1/4F Bsp brass	1					5
8	40.0115.31	Nozzle ring nut, 3/8F Bsp brass	1					5
9	40.0004.85	Nozzle protection, TPEs black (1)	1					10
10	40.0007.61	Nozzle holder, 1/4F Bsp-1/4F Npt z.pl. (1)	1					10
11	40.0003.84	Ring nut, 24TpN3 PA black (1)	1					10

40.0240.00 S3 50MPa lan.-50MPa - 1200mm -red



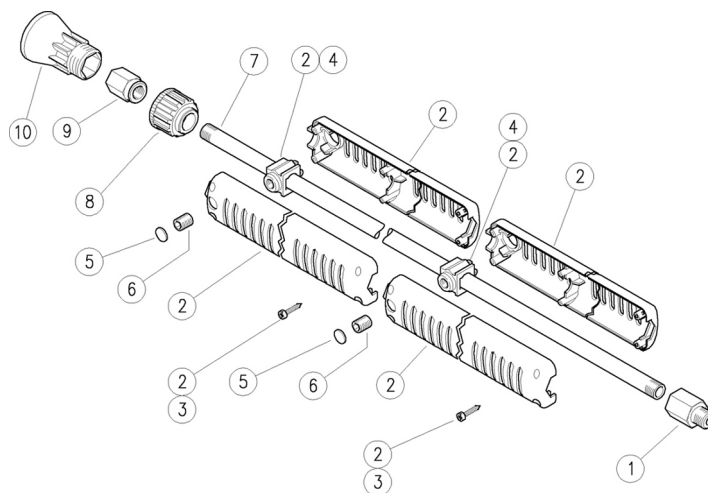
Pos.	P/N	Description	Q.ty	K1	K2	K3	K4
1	40.5002.51	Reduct, sst 1/4MF Bsp	1				10
2	40.9980.98	Casing-kit -S3 red+screws,Sst.+fasten.	2				1
3	16.3075.51	S/tapping screw, DIN7981 3,5x18 mm Sst.	12				10
4	40.0311.41	Tube fastener, 13,9 mm alum.	2				10
5	40.0243.84	Lance Plug, PA red	2				5
6	16.2230.00	Set screw, DIN916 M10x8 mm z.pl.	2				10

Pos.	P/N	Description	Q.ty	K1	K2	K3	K4
7	40.0244.56	Tube, 1/4Bsp MM 1200mm Sst.	1				5
8	40.0005.84	Ring nut, 24TpN3 PA red	1				10
9	40.0007.51	Nozzle holder, 1/4F Bsp-1/4F Npt Sst.	1				10
10	40.0011.85	Nozzle protection, TPEs red	1				10
11	14.3911.00	Washer, 13,5x19x1,5 mm Cu	1				10

40.0258.00 S3 350 lan.1/4M Bspt 800mm sst str.-blue

40.0261.50 S3 350 lan.1/4M Npt 1050mm sst str.-blue

40.0261.00 S3 350 lan.1/4M Bspt 1050mm sst str-blu.

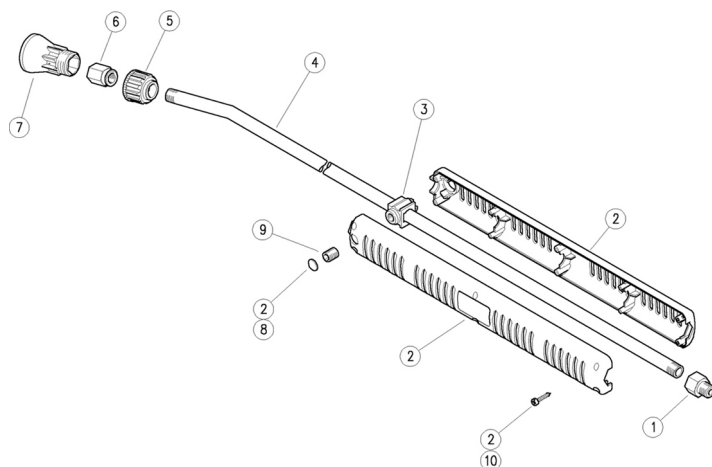


Pos.	P/N	Description	Q.ty	K1	K2	K3	K4
1	40.0251.51	Coupl., 1/4F Bsp-1/4M Bspt Sst.	1				5
1	40.0252.51	Coupl., 1/4F Bsp-1/4M Npt Sst.	1				5
2	40.9998.98	Cas.-kit -S3-350 blue-fasten.al.	1-2				1
3	16.3077.00	S/tapping screw, DIN7981 3,5x18 mm	6-12				10
4	40.0304.41	Tube fastener, alum.	1-2				10
5	30.4553.84	Plug for grip, PA blue	1-2				10

Pos.	P/N	Description	Q.ty	K1	K2	K3	K4
6	16.2230.00	Set screw, DIN916 M10x8 mm z.pl.	1-2				10
7	40.8011.56	Tube,sst 800mm straight. 1/4MM Bsp	1				25
7	40.0028.56	Tube, 1/4Bsp MM 1050mm Sst.	1				10
8	40.0019.84	Ring nut, 24TpN3 PA blue	1				10
9	40.0007.51	Nozzle holder, 1/4F Bsp-1/4F Npt Sst.	1				10
10	40.0018.85	Nozzle protection, TPEs blue	1				10

40.0535.00 S3 lan.-vnt.grip 500mm z.pl+nzl/hld+prot
 40.0755.00 S3 lan.-vnt.grip 700mm z.pl+nzl/hld+prot
 40.0955.00 S3 lan.-vnt.grip 900mm z.pl+nzl/hld+prot
 40.0955.08 S3 lan.-Npt -vnt.grip 900mm z.pl+nzl/hld+pr.
 40.0955.50 S3 lan.-vnt.grip 900mm z.pl+1/8 nzl/hld+prot
 40.1255.00 S3 lan.-vnt.grip 1200mm z.pl+nzl/hld+prot
 40.1255.50 S3 lan.-vnt.grip 1200mm z.pl+1/8 nzl/hld+prot

40.1555.00 S3 lan.-vnt.grp 1500mm z.pl+nzl/hld+prot
 40.1555.50 S3 lan.-vnt.grp 1500mm z.pl+1/8 nzl/hld+prot
 40.1755.00 S3 lan.-vnt.grp 1700mm z.pl+nzl/hld+prot
 40.1755.50 S3 lan.-vnt.grp 1700mm z.pl+1/8 nzl/hld+prot
 40.2055.00 S3 lan.-vnt.grp 2000mm z.pl+nzl/hld+prot
 40.2055.50 S3 lan.-vnt.grp 2000mm z.pl+1/8 nzl/hld+prot



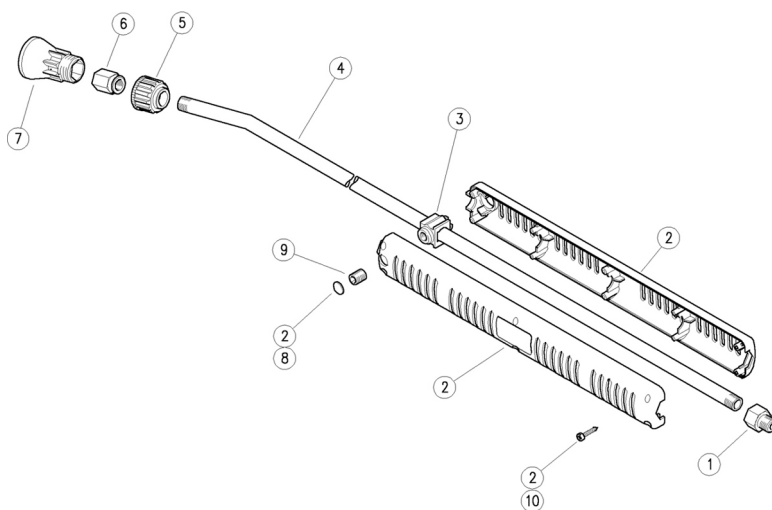
Pos.	P/N	Description	Q.ty	K1	K2	K3	K4	📦	Pos.	P/N	Description	Q.ty	K1	K2	K3	K4	📦
1	40.5008.31	Reduct,brass 1/4M Bspt-1/4F Bsp	1					10	4	40.7001.66	Tube, bent 1/4Bsp MM 2000mm z.pl. (8)	1					1
1	40.0006.61	Reduct. 1/4M Npt-1/4F Bsp (1)	1					10	5	40.0003.84	Ring nut, 24TpN3 PA black	1					10
2	40.0308.24	Casing-kit -S3, black+screws+Lance Plug	1 - 2					1	6	40.0007.61	Nozzle holder, 1/4F Bsp-1/4F Npt z.pl.	1					10
3	40.0304.84	Tube fastener, plast.	1 - 2					25	6	40.0009.61	Nozzle holder, 1/4F Bsp-1/8F Npt z.pl. (9,10) **	1					10
4	40.5054.66	Tube, bent 1/4Bsp MM 500mm z.pl. (2)	1					5	6	40.0009.61	Nozzle holder, 1/4F Bsp-1/8F Npt z.pl. (11,12,13)	1					10
4	40.5701.66	Tube, bent 1/4Bsp MM 700mm z.pl. (3)	1					5	7	40.0004.85	Nozzle protection, TPEs black	1					10
4	40.5901.66	Tube, bent 1/4Bsp MM 900mm z.pl. (4,1)	1					1	8	40.0303.84	Lance Plug, PA black	1 - 2					10
4	40.6201.66	Tube, bent 1/4Bsp MM 1200mm z.pl. (5)	1					1	9	16.2230.00	Set screw, DIN916 M10x8 mm z.pl.	1 - 2					10
4	40.6501.66	Tube, bent 1/4Bsp MM 1500mm z.pl. (6)	1					5	10	16.3077.00	S/tapping screw, DIN7981 3,5x18 mm	6 - 12					10
4	40.6701.66	Tube, bent 1/4Bsp MM 1700mm z.pl. (7)	1					3									



** On request

(1) 40.0955.08 (2) 40.0535.00 (3) 40.0755.00 (4) 40.0955.00 (5) 40.1255.00 (6) 40.1555.00 (7) 40.1755.00 (8) 40.2055.00 (9) 40.0955.50 (10) 40.1255.50 (11) 40.1555.50 (12) 40.1755.50 (13) 40.2055.50

40.0765.00 S3 lan.-vnt.grip 700mm sst+nzl/hld+prot
 40.0965.00 S3 lan.-vnt.grip 900mm sst+nzl/hld+prot
 40.1265.00 S3 lan.-vnt.grip 1200mm sst+nzl/hld+prot

40.1565.00 S3 lan.-vnt.grip 1500mm sst+nzl/hld+prot
 40.1765.00 S3 lan.-vnt.grip 1700mm sst+nzl/hld+prot
 40.2065.00 S3 lan.-vnt.grip 2000mm sst+nzl/hld+prot



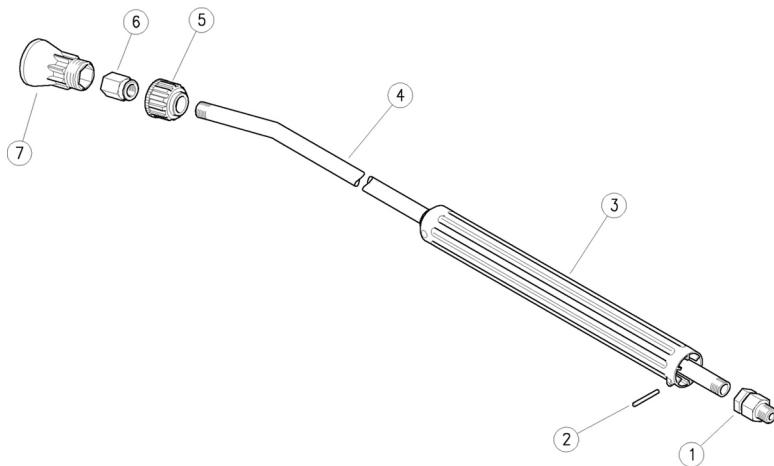
Pos.	P/N	Description	Q.ty	K1	K2	K3	K4		Pos.	P/N	Description	Q.ty	K1	K2	K3	K4	
1	40.5008.31	Reduct,brass 1/4M Bspt-1/4F Bsp	1					10	4	40.7006.56	Tube, bent 1/4Bsp MM 2000mm Sst. (2)	1					3
1	40.0251.51	Coupl., 1/4F Bsp-1/4M Bspt Sst. (1,2)	1					5	5	40.0003.84	Ring nut, 24TpN3 PA black	1					10
2	40.0308.24	Casing-kit -S3, black+screws+Lance Plug	1 - 2					1	6	40.0007.61	Nozzle holder, 1/4F Bsp-1/4F Npt z.pl.	1					10
3	40.0304.84	Tube fastener, plast.	1 - 2					25	6	40.0009.61	Nozzle holder, 1/4F Bsp-1/8F Npt z.pl. **	1					10
4	40.5706.56	Tube, bent 1/4Bsp MM 700mm Sst. (3)	1					5	7	40.0004.85	Nozzle protection, TPEs black	1					10
4	40.5906.56	Tube, bent 1/4Bsp MM 900mm Sst. (4)	1					5	8	40.0303.84	Lance Plug, PA black	1 - 2					10
4	40.6206.56	Tube, bent 1/4Bsp MM 1200mm Sst. (5)	1					5	9	16.2230.00	Set screw, DIN916 M10x8 mm z.pl.	1 - 2					10
4	40.6506.56	Tube, bent 1/4Bsp MM 1500mm Sst. (6)	1					5	10	16.3077.00	S/tapping screw, DIN7981 3,5x18 mm	6 - 12					10
4	40.6706.56	Tube, bent 1/4Bsp MM 1700mm Sst. (1)	1					3									

** On request

(1) 40.1765.00 (2) 40.2065.00 (3) 40.0765.00 (4) 40.0965.00 (5) 40.1265.00 (6) 40.1565.00

40.2150.00 R5 lan.-rnd grip 500mm z.pl+nzl/hld+prot
 40.2170.00 R5 lan.-rnd grip 700mm z.pl+nzl/hld+prot
 40.2190.00 R5 lan.-rnd grip 900mm z.pl+nzl/hld+prot
 40.2220.00 R5 lan.-rnd grp 1200mm z.pl+nzl/hld+prot

40.5500.05 R5 lan.Npt-rnd grip 500mm z.pl+nzl/hld+pr
 40.5700.05 R5 lan.Npt-rnd grip 700mm z.pl+nzl/hld+pr
 40.5900.05 R5 lan.Npt-rnd grip 900/420 mm



Pos.	P/N	Description	Q.ty	K1	K2	K3	K4	
1	40.0006.61	Reduct. 1/4M Npt-1/4F Bsp (1,2,3)	1					10
1	40.5002.61	Reduct, z.pl. 1/4MF Bsp	1					10
2	15.1046.00	Parallel pin, 3x30 mm Sst.	1					10
3	40.0041.84	R5 insul. round grip, 292mm (4,1)	1					5
3	40.0042.84	R5 insul. round grip, 420mm	1					5
4	40.5055.66	Tube, z.pl.500mm stra. 1/4MM Bsp (1)	1					50
4	40.5701.66	Tube, bent 1/4Bsp MM 700mm z.pl. (5)	1					5

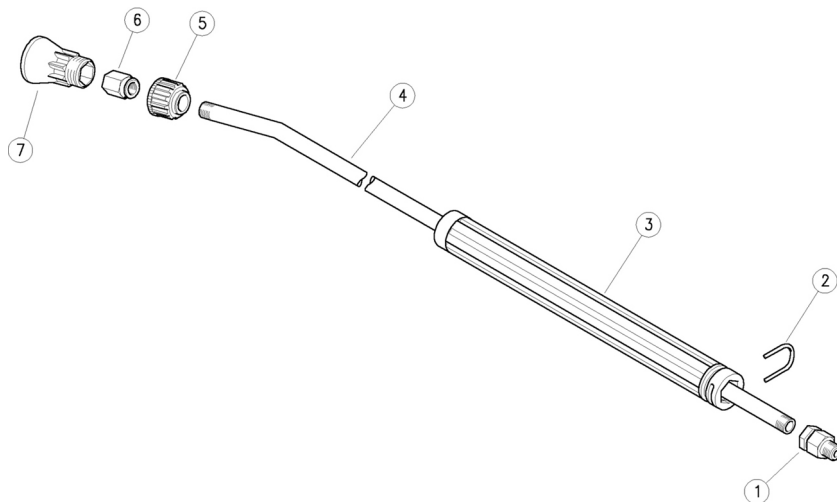
Pos.	P/N	Description	Q.ty	K1	K2	K3	K4	
4	40.5901.66	Tube, bent 1/4Bsp MM 900mm z.pl. (6)	1					1
4	40.6201.66	Tube, bent 1/4Bsp MM 1200mm z.pl. (7)	1					1
5	40.0003.84	Ring nut, 24TpN3 PA black	1					10
6	40.0007.61	Nozzle holder, 1/4F Bsp-1/4F Npt z.pl.	1					10
6	40.0009.61	Nozzle holder, 1/4F Bsp-1/8F Npt z.pl. **	1					10
7	40.0004.85	Nozzle protection, TPES black	1					10

** On request

(1) 40.5500.05 (2) 40.5700.05 (3) 40.5900.05 (4) 40.2150.00 (5) 40.2170.00 (6) 40.2190.00 (7) 40.2220.00

40.5705.00 R5 lan.-rnd grip 700mm sst+nzl/hold+prot
 40.5705.50 R5 700mm sst bent lan+ad.1/8
 40.5905.00 R5 lan.-rnd grip 900mm sst+nzl/hold+prot
 40.5905.50 R5 lan.-rnd grip 900mm sst+nzl/ho.1/8+pr.
 40.6205.00 ML lan.-rnd grp 1200mm sst+nzl/hold+prot

40.6209.50 R5 1200mm sst bent lan+ad.1/8
 40.6505.00 ML lan.-rnd grp 1500mm sst+nzl/hold+prot
 40.6705.00 ML lan.-rnd grp 1700mm sst+nzl/hld+prot
 40.7005.00 ML lan.-rnd grp 2000mm sst+nzl/hold+prot



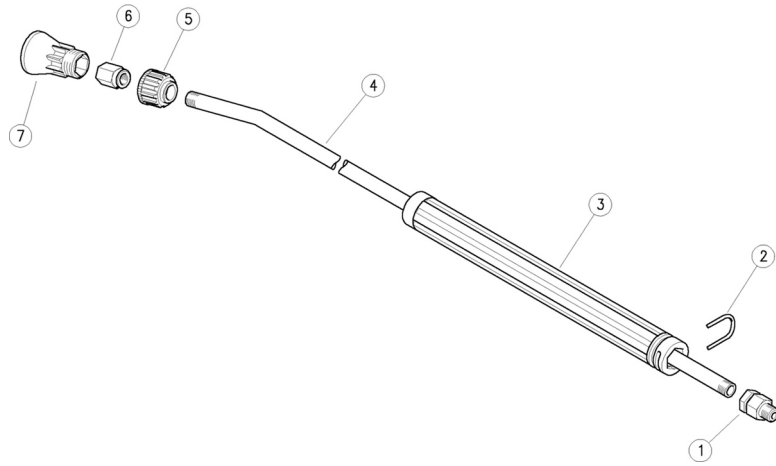
Pos.	P/N	Description	Q.ty	K1	K2	K3	K4	
1	40.5002.61	Reduct, z.pl. 1/4MF Bsp	1					10
2	15.1046.00	Parallel pin, 3x30 mm Sst.	1					10
2	40.5001.51	Retainer, Sst. (1,2,3,4)	1					10
3	40.0042.84	R5 insul. round grip, 420mm (5)	1					5
3	40.5028.23	Lance grip -ML, 640mm plast. black (1)	1					40
3	40.5032.23	Lance grip -ML, 840mm plast. black (2,3,4)	1					10
4	40.5706.56	Tube, bent 1/4Bsp MM 700mm Sst.	1					5
4	40.5906.56	Tube, bent 1/4Bsp MM 900mm Sst.	1					5

Pos.	P/N	Description	Q.ty	K1	K2	K3	K4	
4	40.6206.56	Tube, bent 1/4Bsp MM 1200mm Sst.	1					5
4	40.6506.56	Tube, bent 1/4Bsp MM 1500mm Sst.	1					5
4	40.6706.56	Tube, bent 1/4Bsp MM 1700mm Sst.	1					3
4	40.7006.56	Tube, bent 1/4Bsp MM 2000mm Sst.	1					3
5	40.0003.84	Ring nut, 24TpN3 PA black	1					10
6	40.0007.61	Nozzle holder, 1/4F Bsp-1/4F Npt z.pl.	1					10
6	40.0009.61	Nozzle holder, 1/4F Bsp-1/8F Npt z.pl. (6,7,5)	1					10
7	40.0004.85	Nozzle protection, TPEs black	1					10

(1) 40.6205.00 (2) 40.6505.00 (3) 40.6705.00 (4) 40.7005.00 (5) 40.6209.50 (6) 40.5705.50 (7) 40.5905.50

40.6500.00 ML lan.-rnd grp 1500mm z.pl+nzl/hld+prot
 40.6700.00 ML lan.-rnd grp 1700mm z.pl+nzl/hld+prot

40.7000.00 ML lan.-rnd grp 2000mm z.pl+nzl/hld+prot

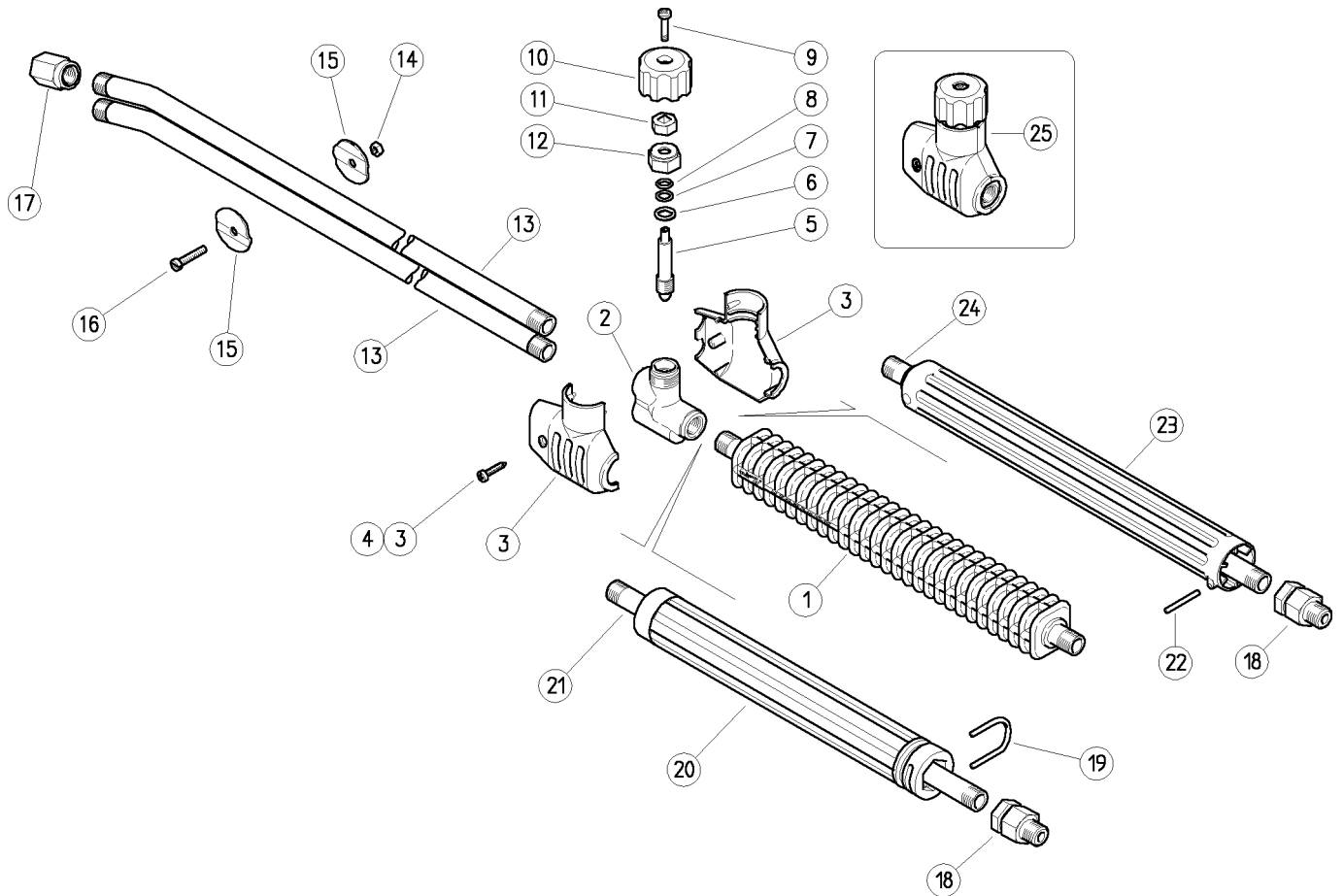


Pos.	P/N	Description	Q.ty	K1	K2	K3	K4		Pos.	P/N	Description	Q.ty	K1	K2	K3	K4	
1	40.5002.61	Reduct, z.pl. 1/4MF Bsp	1					10	4	40.7001.66	Tube, bent 1/4Bsp MM 2000mm z.pl.	1					1
2	40.5001.51	Retainer, Sst.	1					10	5	40.0003.84	Ring nut, 24TpN3 PA black	1					10
3	40.5032.23	Lance grip -ML, 840mm plast. black	1					10	6	40.0007.61	Nozzle holder, 1/4F Bsp-1/4F Npt z.pl.	1					10
4	40.6501.66	Tube, bent 1/4Bsp MM 1500mm z.pl.	1					5	6	40.0009.61	Nozzle holder, 1/4F Bsp-1/8F Npt z.pl. **	1					10
4	40.6701.66	Tube, bent 1/4Bsp MM 1700mm z.pl.	1					3	7	40.0004.85	Nozzle protection, TPEs black	1					10


** On request


41.0330.00 LD5 PFL dbl.lan.850mm 1/4z.pl,vert.valv.

41.0340.00 LD5 R5 dbl.lan.1050mm 1/8z.pl,vert.valv.



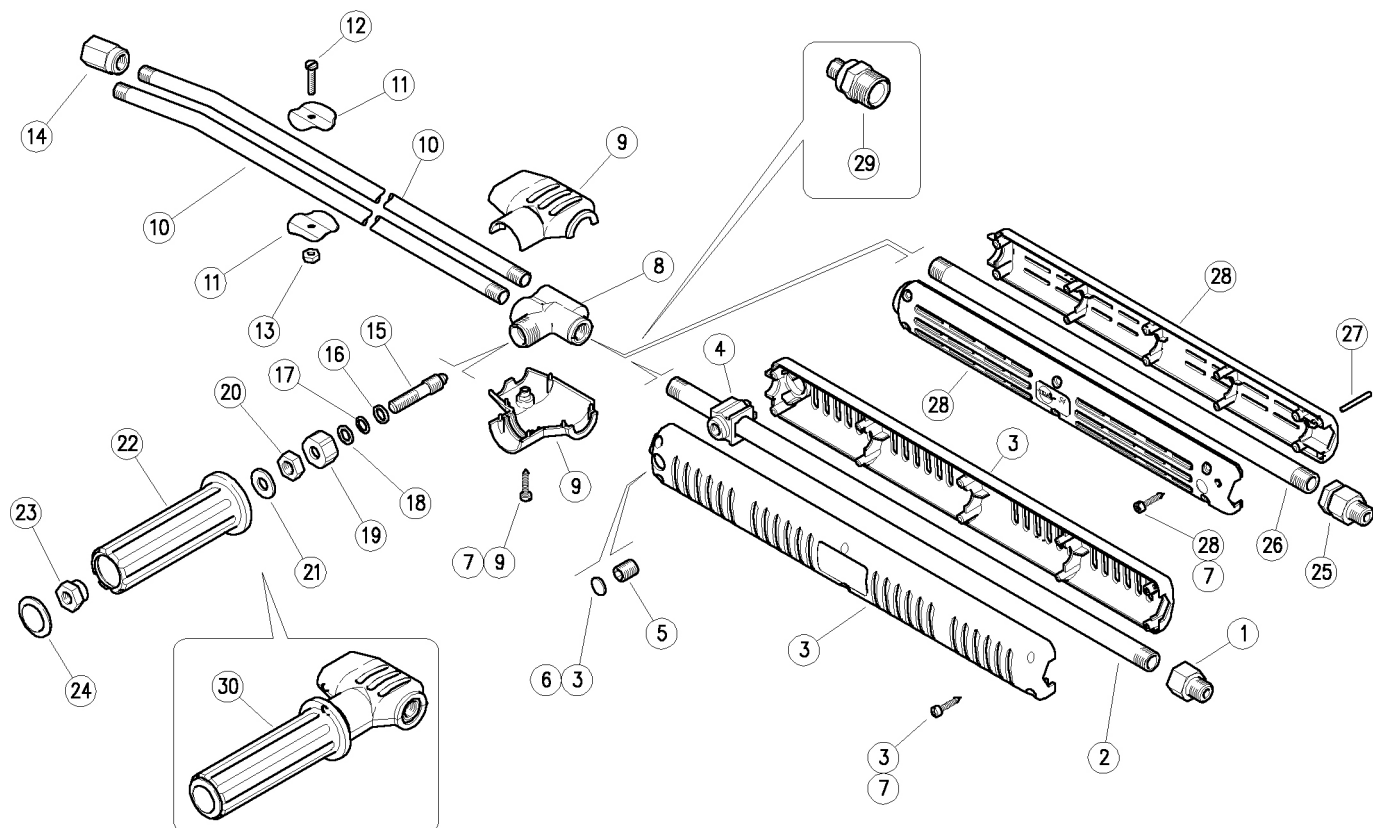
Pos.	P/N	Description	Q.ty	K1	K2	K3	K4	
1	40.7300.22	PFL300mm la.mold.grip.z.pl.str. (1)	1					25
2	41.0401.35	Valve housing -LD, 1/4FFF Bsp brass (1)	1					5
2	41.0402.35	Valve housing -LD, 1/4F-1/8FF Bsp brs (2)	1					5
3	41.0424.24	Casing-kit -LD9-1/4" +screws (1)	1					1
3	41.0426.24	Casing-kit -LD9-1/8" +screws (2)	1					1
4	16.3077.00	S/tapping screw, DIN7981 3,5x18 mm	1					10
5	41.0951.51	Shutter, LD Sst.	1					5
6	14.3643.00	Washer, 8,2x12x1,5 mm Cu	1	•				10
7	10.3170.00	O-ring, 2,62x7,6 mm	1	•				10
8	10.4020.00	Back-up ring, 8x12,6x1,2 mm	1	•				10
9	16.1840.00	Screw, DIN7985 M4x14 mm z.pl.	1					10
10	29.0931.84	Knob, PA black	1					10
11	29.0924.31	Groove nut, brass	1					10
12	41.0408.31	Ring nut, M18x1,5 brass	1					5

Pos.	P/N	Description	Q.ty	K1	K2	K3	K4	
13	40.5055.66	Tube,z.pl.500mm stra.1/4MM Bsp (1)	2					50
13	41.0502.56	Tube, 1/8Bsp MM 680mm Sst. (2)	2					10
14	11.4513.05	Hex. nut M4	1					10
15	41.0104.63	Tube washer, z.pl.	2					10
16	16.1843.00	Screw, DIN7985 M4x20 mm z.pl.	1					10
17	40.0007.61	Nozzle holder, 1/4F Bsp-1/4F Npt z.pl. (1)	2					10
17	41.0108.61	Nozzle holder, 1/8F Bsp-1/4F Npt z.pl. (2)	2					10
18	40.5002.61	Reduct, z.pl. 1/4MF Bsp	1					10
19	40.5001.51	Retainer, Sst.	1					10
20	40.5020.23	ML insul. round grip 290mm	1					40
21	40.5050.66	Tube,z.pl.,300mm str. 1/4MM Bsp	1					50
22	15.1046.00	Parallel pin, 3x30 mm Sst.	1					10
23	40.0041.84	R5 insul. round grip, 292mm	1					5
25	41.0956.24	Valve-Kit -LD9-LP, complete (1)	1					1

Kit	P/N	Description	
K1	41.0420.24	Repair kit -LD9, 3x10pcs.	1
(1) 41.0330.00 (2) 41.0340.00			

41.0600.00 LD7/3+S3 dbl.lan.1070mm 1/8sst+nzl/hold
 41.0630.00 LD7/3+S3 dbl.lan.890mm 1/4z.pl+nzl/hold

41.0685.00 Extn.LD7 AR5 A M22 500mm 1/8sst+nzl/hold



Pos.	P/N	Description	Q.ty	K1	K2	K3	K4	
1	40.5008.31	Reduct,brass 1/4M Bspt-1/4F Bsp	1					10
2	40.0314.56	Tube, 1/4Bsp MM 377mm Sst.	1					10
3	40.0308.24	Casing-kit -S3, black+screws+Lance Plug	1				1	10
4	40.0304.84	Tube fastener, plast.	1					25
5	16.2230.00	Set screw, DIN916 M10x8 mm z.pl.	1					10
6	40.0303.84	Lance Plug, PA black	1					10
7	16.3077.00	S/tapping screw, DIN7981 3,5x18 mm	7					10
8	41.0402.35	Valve housing -LD, 1/4F-1/8FF Bsp brs	1					5
8	41.0401.35	Valve housing -LD, 1/4FFF Bsp brass (1)	1					5
9	41.0426.24	Casing-kit -LD9-1/8" +screws	1					1
9	41.0424.24	Casing-kit -LD9-1/4" +screws (1)	1					1
10	41.0502.56	Tube, 1/8Bsp MM 680mm Sst.	2					10
10	40.5055.66	Tube,z.pl.500mm stra.1/4MM Bsp (1)	2					50
10	41.0551.56	Tube, 1/8Bsp MM 500mm Sst. (2)	2					10
11	41.0104.63	Tube washer, z.pl.	2					10
12	16.1840.00	Screw, DIN7985 M4x14 mm z.pl.	1					10
12	16.1843.00	Screw, DIN7985 M4x20 mm z.pl. (1)	1					10
13	11.4513.05	Hex. nut M4	1					10

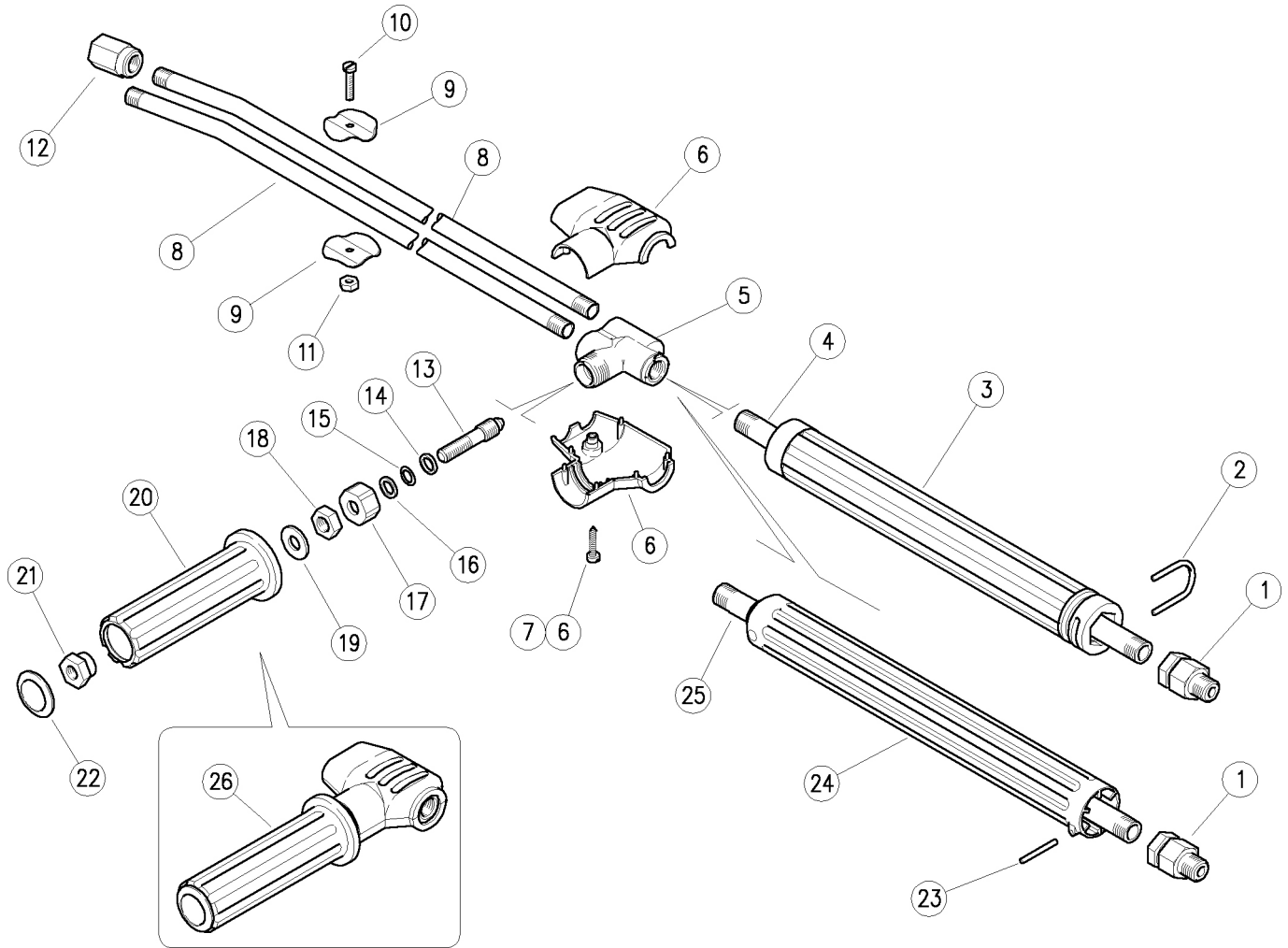
Pos.	P/N	Description	Q.ty	K1	K2	K3	K4	
14	41.0108.61	Nozzle holder, 1/8F Bsp-1/4F Npt z.pl.	2					10
14	40.0007.61	Nozzle holder, 1/4F Bsp-1/4F Npt z.pl. (1)	2					10
15	41.0406.51	Shutter, LD Sst.	1					5
16	14.3643.00	Washer, 8,2x12x1,5 mm Cu	1	.	.			10
17	10.3170.00	O-ring, 2,62x7,6 mm	1	.	.			10
18	10.4020.00	Back-up ring, 8x12,6x1,2 mm	1	.	.			10
19	41.0408.31	Ring nut, M18x1,5 brass	1					5
20	11.4574.00	Hex. nut, M8	1					10
21	14.3572.00	Washer, 8,4x21x1,5 mm	1					10
22	41.0409.84	Knob, 32x115 mm PP black	1					5
23	41.0410.31	Special nut, M8 brass	1					5
24	41.0411.84	Plug, Knob PP black	1					5
25	40.5002.61	Reduct, z.pl. 1/4MF Bsp	1					10
27	15.1041.00	Parallel pin, 3x25 mm Sst.	1					10
28	30.0754.24	Casing-kit -S4 +screws	1					1
29	26.1020.31	AR5 A M22 screw-type npl.1/4M Bsp (2)	1					25
30	41.0041.24	Spares kit -LD9 valve, G1/8"	1					3
30	41.0906.24	Valve-Kit -LD9-1/4" Bsp, complete (1)	1					3

Kit	P/N	Description	
K1	41.0420.24	Repair kit -LD9, 3x10pcs.	1
K2	41.0419.24	Repair kit -LD9, 3x1pcs.	1

(1) 41.0630.00 (2) 41.0685.00

41.0672.00 LD7+R5 doubl.lan.1050mm 1/4sst-1/8sst
 41.0674.00 LD7+R5 doubl.lan.850mm 1/4sst-1/8sst

41.0682.00 LD7+R5 doubl.lan.1050mm 1/4z.pl-1/8sst
 41.0684.00 LD7+R5 doubl.lan.850mm 1/4z.pl-1/8sst



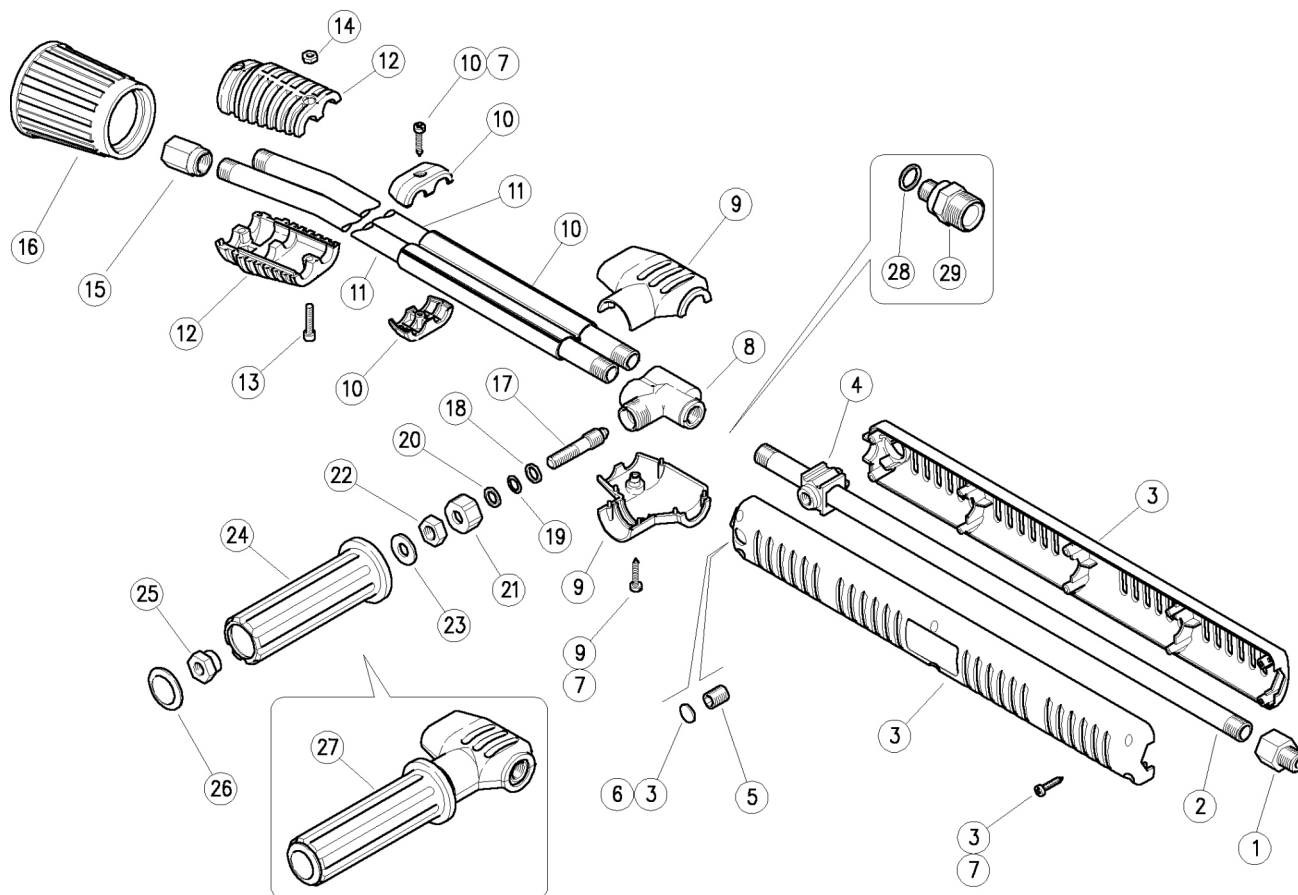
Pos.	P/N	Description	Q.ty	K1	K2	K3	K4	Pos.	P/N	Description	Q.ty	K1	K2	K3	K4
1	40.5002.61	Reduct, z.pl. 1/4MF Bsp	1				10	13	41.0406.51	Shutter, LD Sst.	1				5
2	40.5001.51	Retainer, Sst.	1				10	14	14.3643.00	Washer, 8,2x12x1,5 mm Cu	1	•			10
3	40.5020.23	ML insul. round grip 290mm	1				40	15	10.3170.00	O-ring, 2,62x7,6 mm	1	•			10
4	41.0501.56	Tube, Sst. 300mm straight 1/4MM Bsp (1,2)	1				50	16	10.4020.00	Back-up ring, 8x12,6x1,2 mm	1	•			10
4	40.5050.66	Tube, z.pl., 300mm str. 1/4MM Bsp (3,4)	1				50	17	41.0408.31	Ring nut, M18x1,5 brass	1				5
5	41.0402.35	Valve housing -LD, 1/4F-1/8FF Bsp brs	1				5	18	11.4574.00	Hex. nut, M8	1				10
6	41.0426.24	Casing-kit -LD9-1/8" +screws	1				1	19	14.3572.00	Washer, 8,4x21x1,5 mm	1				10
7	16.3077.00	S/tapping screw, DIN7981 3,5x18 mm	1				10	20	41.0409.84	Knob, 32x115 mm PP black	1				5
8	41.0502.56	Tube, 1/8Bsp MM 680mm Sst. (1,3)	2				10	21	41.0410.31	Special nut, M8 brass	1				5
8	41.0551.56	Tube, 1/8Bsp MM 500mm Sst. (2,4)	2				10	22	41.0411.84	Plug, Knob PP black	1				5
9	41.0104.63	Tube washer, z.pl.	2				10	23	15.1046.00	Parallel pin, 3x30 mm Sst.	1				10
10	16.1840.00	Screw, DIN7985 M4x14 mm z.pl.	1				10	24	40.0041.84	R5 insul. round grip, 292mm	1				5
11	11.4513.05	Hex. nut M4	1				10	25	41.0501.56	Tube, Sst. 300mm straight 1/4MM Bsp (1)	1				50
12	41.0108.61	Nozzle holder, 1/8F Bsp-1/4F Npt z.pl.	2				10	26	41.0041.24	Spares kit -LD9 valve, G1/8"	1				3

Kit	P/N	Description	Q.ty
K1	41.0420.24	Repair kit -LD9, 3x10pcs.	1

(1) 41.0672.00 (2) 41.0674.00 (3) 41.0682.00 (4) 41.0684.00

41.0800.00 LD9+S3 doubl.lan.1090mm 1/4z.pl+nzl/hold
 41.0900.00 LD9+S3 doubl.lan.1090mm 1/4sst+nzl/hold

41.0921.00 Extn.LD9 AR5 A 700mm 1/4sst+nzl/hold

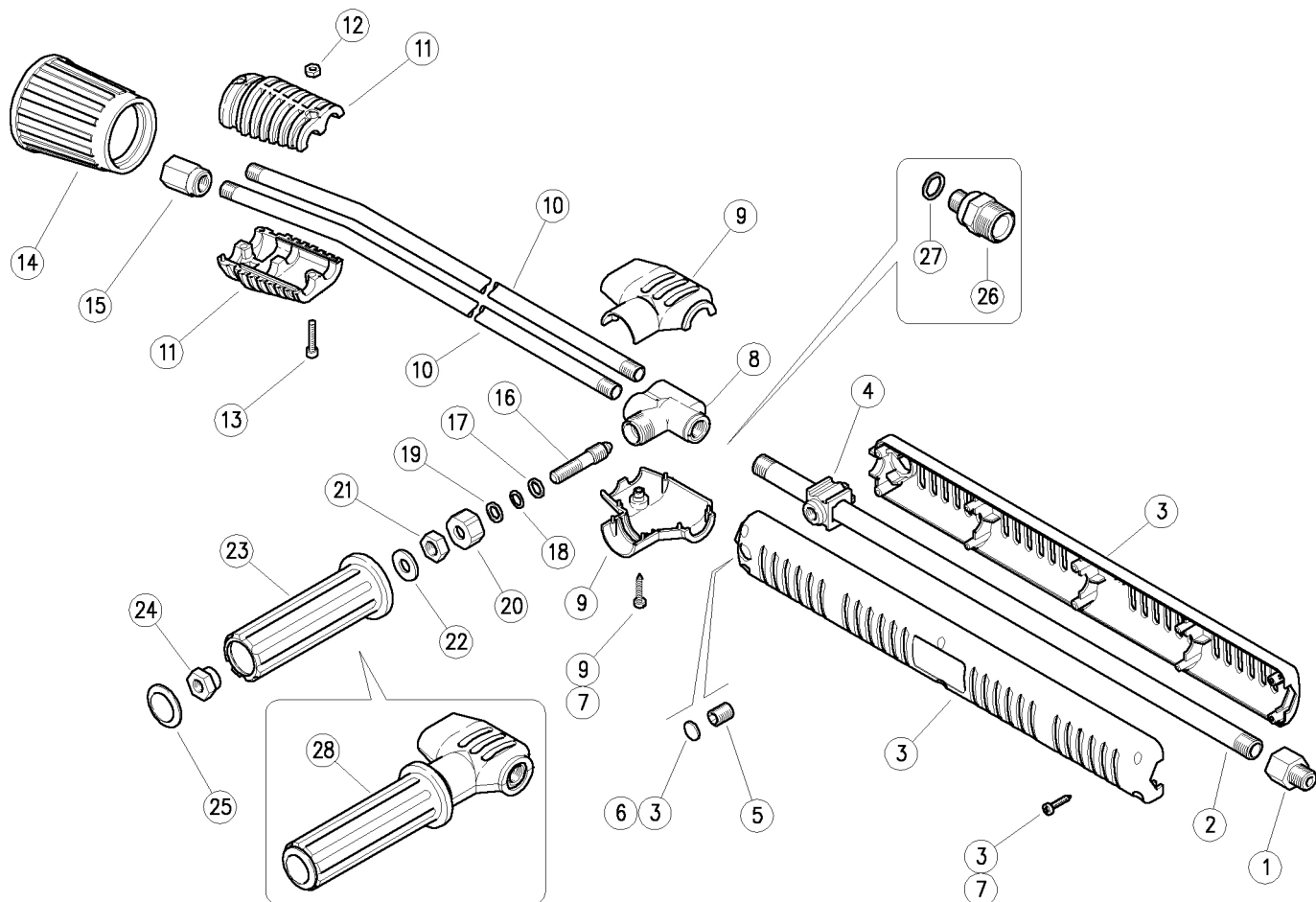


Pos.	P/N	Description	Q.ty	K1	K2	K3	K4	
1	40.5008.31	Reduct,brass 1/4M Bspt-1/4F Bsp	1					10
2	40.0314.56	Tube, 1/4Bsp MM 377mm Sst.	1					10
3	40.0308.24	Casing-kit -S3, black+screws+Lance Plug	1				1	5
4	40.0304.84	Tube fastener, plast.	1					25
5	16.2230.00	Set screw, DIN916 M10x8 mm z.pl.	1					10
6	40.0303.84	Lance Plug, PA black	1					10
7	16.3077.00	S/tapping screw, DIN7981 3,5x18 mm	8					10
8	41.0401.35	Valve housing -LD, 1/4FFF Bsp brass	1					5
9	41.0424.24	Casing-kit -LD9-1/4" +screws	1					1
10	41.0820.24	Clamp kit -LD9+tube prot. 1/4"+screw	1					1
11	40.7711.56	Tube,Sst. 700mm straight. 1/4MM Bsp	2					50
11	40.5702.66	Tube, z.pl. 700mm straight 1/4MM Bsp (1)	2					25
12	41.0416.84	Semi-shell, 1/4" PA black	2					10
13	16.1855.00	Screw, DIN912 M4x20 mm z.pl.	2					10
14	11.4513.05	Hex. nut M4	2					10

Pos.	P/N	Description	Q.ty	K1	K2	K3	K4	
15	40.0007.61	Nozzle holder, 1/4F Bsp-1/4F Npt z.pl.	2					10
16	41.0418.81	Nozzle protection -LD, TPEs black	1					10
17	41.0406.51	Shutter, LD Sst.	1					5
18	14.3643.00	Washer, 8,2x12x1,5 mm Cu	1					10
19	10.3170.00	O-ring, 2,62x7,6 mm	1					10
20	10.4020.00	Back-up ring, 8x12,6x1,2 mm	1					10
21	41.0408.31	Ring nut, M18x1,5 brass	1					5
22	11.4574.00	Hex. nut, M8	1					10
23	14.3572.00	Washer, 8,4x21x1,5 mm	1					10
24	41.0409.84	Knob, 32x115 mm PP black	1					5
25	41.0410.31	Special nut, M8 brass	1					5
26	41.0411.84	Plug, Knob PP black	1					5
27	41.0906.24	Valve-Kit -LD9-1/4" Bsp, complete	1					3
28	14.3913.17	Washer, 13x17x1,5 mm alu. (2)	1					10
29	26.1020.31	AR5 A M22 screw-type npl.1/4M Bsp (2)	1					25

Kit	P/N	Description	
K1	41.0420.24	Repair kit -LD9, 3x10pcs.	1
K2	41.0419.24	Repair kit -LD9, 3x1pcs.	1
K3	41.0422.24	Spares kit -LD9-1/4" trailing+screws	1
K4	41.0423.24	Spares kit -LD9 - complete grip	1

(1) 41.0800.00 (2) 41.0921.00

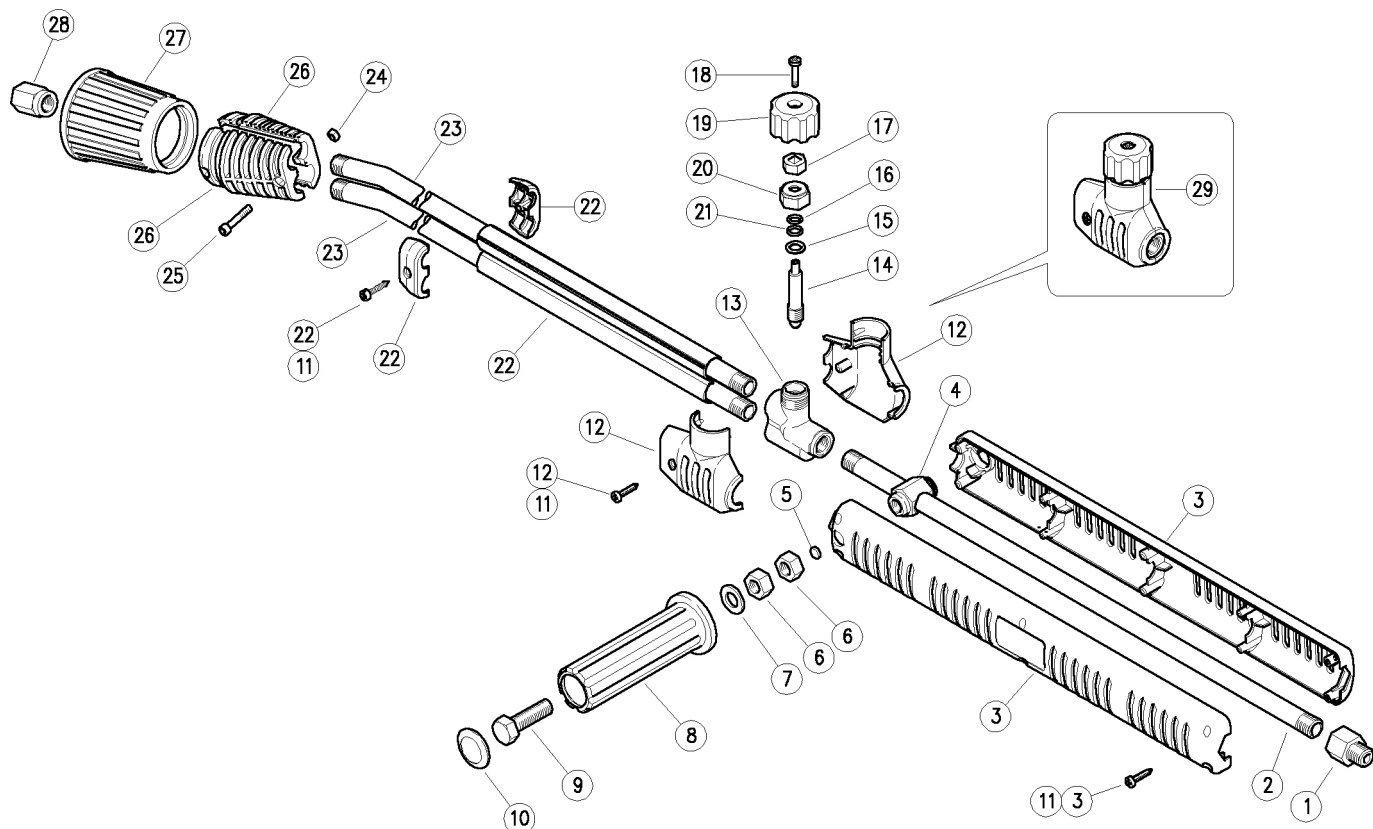


Pos.	P/N	Description	Q.ty	K1	K2	K3	K4		Pos.	P/N	Description	Q.ty	K1	K2	K3	K4	
1	40.5008.31	Reduct,brass 1/4M Bspt-1/4F Bsp	1					10	15	41.0108.61	Nozzle holder, 1/8F Bsp-1/4F Npt z.pl.	2					10
2	40.0314.56	Tube, 1/4Bsp MM 377mm Sst.	1					10	16	41.0406.51	Shutter, LD Sst.	1					5
3	40.0308.24	Casing-kit -S3, black+screws+Lance Plug	1					1	17	14.3643.00	Washer, 8,2x12x1,5 mm Cu	1	.	.	.		10
4	40.0304.84	Tube fastener, plast.	1					25	18	10.3170.00	O-ring, 2,62x7,6 mm	1	.	.	.		10
5	16.2230.00	Set screw, DIN916 M10x8 mm z.pl.	1					10	19	10.4020.00	Back-up ring, 8x12,6x1,2 mm	1	.	.	.		10
6	40.0303.84	Lance Plug, PA black	1					10	20	41.0408.31	Ring nut, M18x1,5 brass	1					5
7	16.3077.00	S/tapping screw, DIN7981 3,5x18 mm	7					10	21	11.4574.00	Hex. nut, M8	1					10
8	41.0402.35	Valve housing -LD, 1/4F-1/8FF Bsp brs	1					5	22	14.3572.00	Washer, 8,4x21x1,5 mm	1					10
9	41.0426.24	Casing-kit -LD9-1/8" +screws	1					1	23	41.0409.84	Knob, 32x115 mm PP black	1					5
10	41.0502.56	Tube, 1/8Bsp MM 680mm Sst.	2					10	24	41.0410.31	Special nut, M8 brass	1					5
11	41.0417.84	Semi-shell, 1/8" PA black	2					10	25	41.0411.84	Plug, Knob PP black	1					5
12	11.4513.05	Hex. nut M4	2					10	26	26.1020.31	AR5 A M22 screw-type npl.1/4M Bsp (1)	1					25
13	16.1855.00	Screw, DIN912 M4x20 mm z.pl.	2					10	27	14.3913.17	Washer, 13x17x1,5 mm alu. (1)	1					10
14	41.0418.81	Nozzle protection -LD, TPEs black	1					10	28	41.0041.24	Spares kit -LD9 valve, G1/8"	1					3

Kit	P/N	Description	Q.ty
K1	41.0420.24	Repair kit -LD9, 3x10pcs.	1
K2	41.0419.24	Repair kit -LD9, 3x1pcs.	1

(1) 41.0911.00

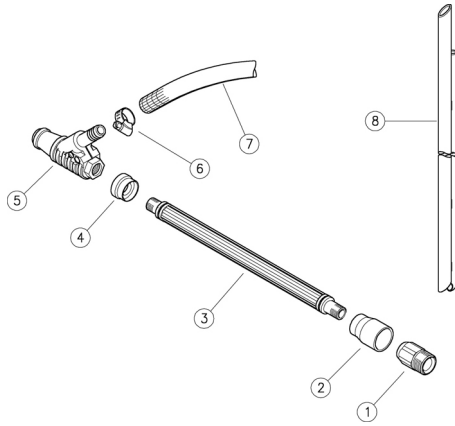
41.0880.00 LD9+S3 dbl.lan.1090mm 1/4z.pl.vert.valv



Pos.	P/N	Description	Q.ty	K1	K2	K3	K4	📦	Pos.	P/N	Description	Q.ty	K1	K2	K3	K4	📦
1	40.5008.31	Reduct,brass 1/4M Bspt-1/4F Bsp	1					10	16	10.3170.00	O-ring, 2,62x7,6 mm	1					10
2	40.0314.56	Tube, 1/4Bsp MM 377mm Sst.	1					10	17	29.0924.31	Groove nut, brass	1					10
3	40.0308.24	Casing-kit -S3, black+screws+Lance Plug	1					1	18	16.1840.00	Screw, DIN7985 M4x14 mm z.pl.	1					10
4	40.0304.41	Tube fastener, alum.	1					10	19	29.0931.84	Knob, PA black	1					10
5	13.5305.00	Plate, 8x1,5 mm Cu	1					10	20	41.0408.31	Ring nut, M18x1,5 brass	1					5
6	11.4627.00	Hex. nut, M10	2					10	21	10.4020.00	Back-up ring, 8x12,6x1,2 mm	1					10
7	14.3799.00	Washer, 10x21x2 mm	1					10	22	41.0820.24	Clamp kit -LD9+tube prot. 1/4"+screw	1					1
8	41.0409.84	Knob, 32x115 mm PP black	1					5	23	40.5702.66	Tube, z.pl. 700mm straight 1/4MM Bsp	2					25
9	16.2030.00	Screw, DIN933 M10x30 mm z.pl.	1					10	24	11.4513.05	Hex. nut M4	2					10
10	41.0411.84	Plug, Knob PP black	1					5	25	16.1855.00	Screw, DIN912 M4x20 mm z.pl.	2					10
11	16.3077.00	S/tapping screw, DIN7981 3,5x18 mm	8					10	26	41.0416.84	Semi-shell, 1/4" PA black	2					10
12	41.0424.24	Casing-kit -LD9-1/4" +screws	1					1	27	41.0418.81	Nozzle protection -LD, TPEs black	1					10
13	41.0401.35	Valve housing -LD, 1/4FFF Bsp brass	1					5	28	40.0007.61	Nozzle holder, 1/4F Bsp-1/4F Npt z.pl.	2					10
14	41.0951.51	Shutter, LD Sst.	1					5	29	41.0956.24	Valve-Kit -LD9-LP, complete	1					1
15	14.3643.00	Washer, 8,2x12x1,5 mm Cu	1					10									

Kit	P/N	Description	📦
K1	41.0420.24	Repair kit -LD9, 3x10pcs.	1
K2	41.0419.24	Repair kit -LD9, 3x1pcs.	1

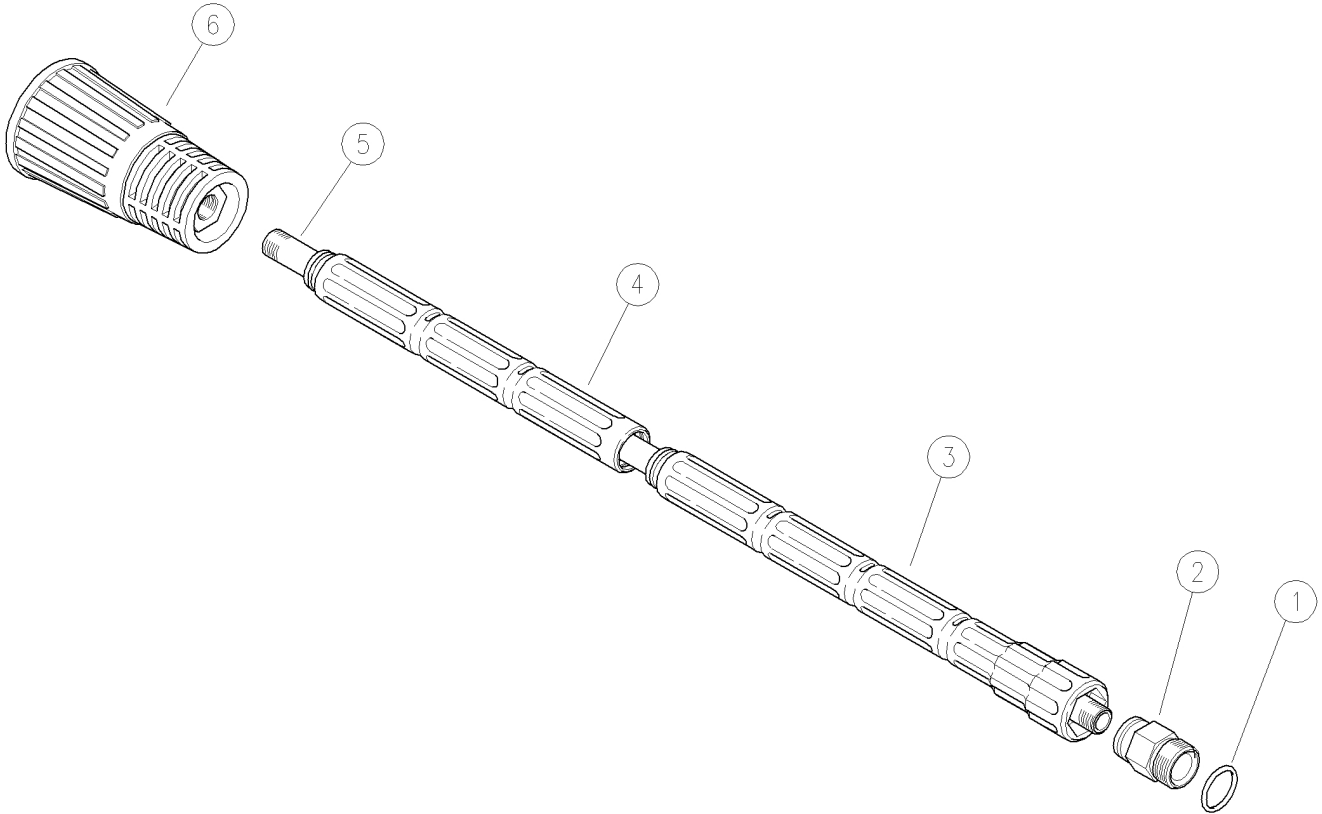
41.1140.12 Extn.LF 220 AR3 A M22 hex+TS3 1,2



Pos.	P/N	Description	Q.ty	K1	K2	K3	K4	
1	26.0200.31	AR3 A M22 hex. screw. nipple-1/4F Bsp	1					25
2	40.0202.84	AR protection, PP black	1					5
3	40.0200.22	LF lan.-z.pl.tube 220mm 1/4MM Bsp	1					50
4	40.9304.84	Vanby protection PP black	1					10
6	11.7524.00	Hose clamp, 10-20 mm Sst.	2					10
7	25.0051.85	Hose, 13x19 - 3m	1					1
8	25.0013.21	Sand probe + 13mm hose barb	1					5

41.1028.00 Extn.+PL4 700mm z.pl,bnt,AR5 A+TR1-1/4
41.2050.00 Extn.+PL4 500mm z.pl.AR4 A hex+TR1-1/4

41.2051.00 Extn.+PL4 500mm z.pl,bnt,AR5 A+TR1-1/4

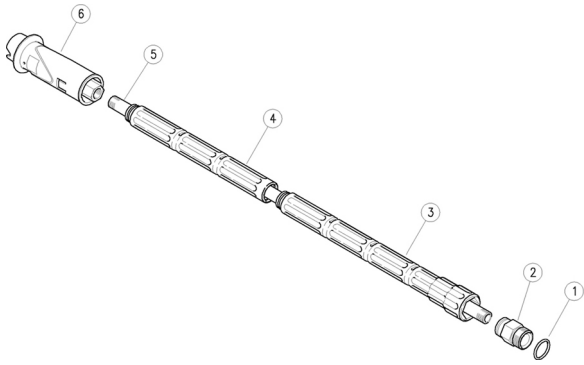


Pos.	P/N	Description	Q.ty	K1	K2	K3	K4	
1	10.3182.00	O-ring, 2,62x17,96 mm	1					10
2	26.0225.31	AR4 A M22 hex.screw-type nipple-1/4F Bsp	1					25
2	26.0283.31	Nipple, A M22-1/4F Bsp +2 Or (1,2)	1					10
3	41.2031.84	Lance grip -PL4, 285mm	1					10
4	41.2032.84	Lance grip -PL4, 200mm PP black (3)	1					10

Pos.	P/N	Description	Q.ty	K1	K2	K3	K4	
5	40.5055.66	Tube,z.pl.500mm stra.1/4MM Bsp	1					50
5	40.5702.66	Tube, z.pl. 700mm straight 1/4MM Bsp (1)	1					25
6	22.0100.00	TR4 adjust.nzl/hold. 1/4F Bsp-Npt+prot.	1					5
6	22.0000.00	TR1 nzl/hold.,adj. 1/4F Bsp-1/4F Npt (1,2)	1					25

(1) 41.1028.00 (2) 41.2051.00 (3) 41.2050.00

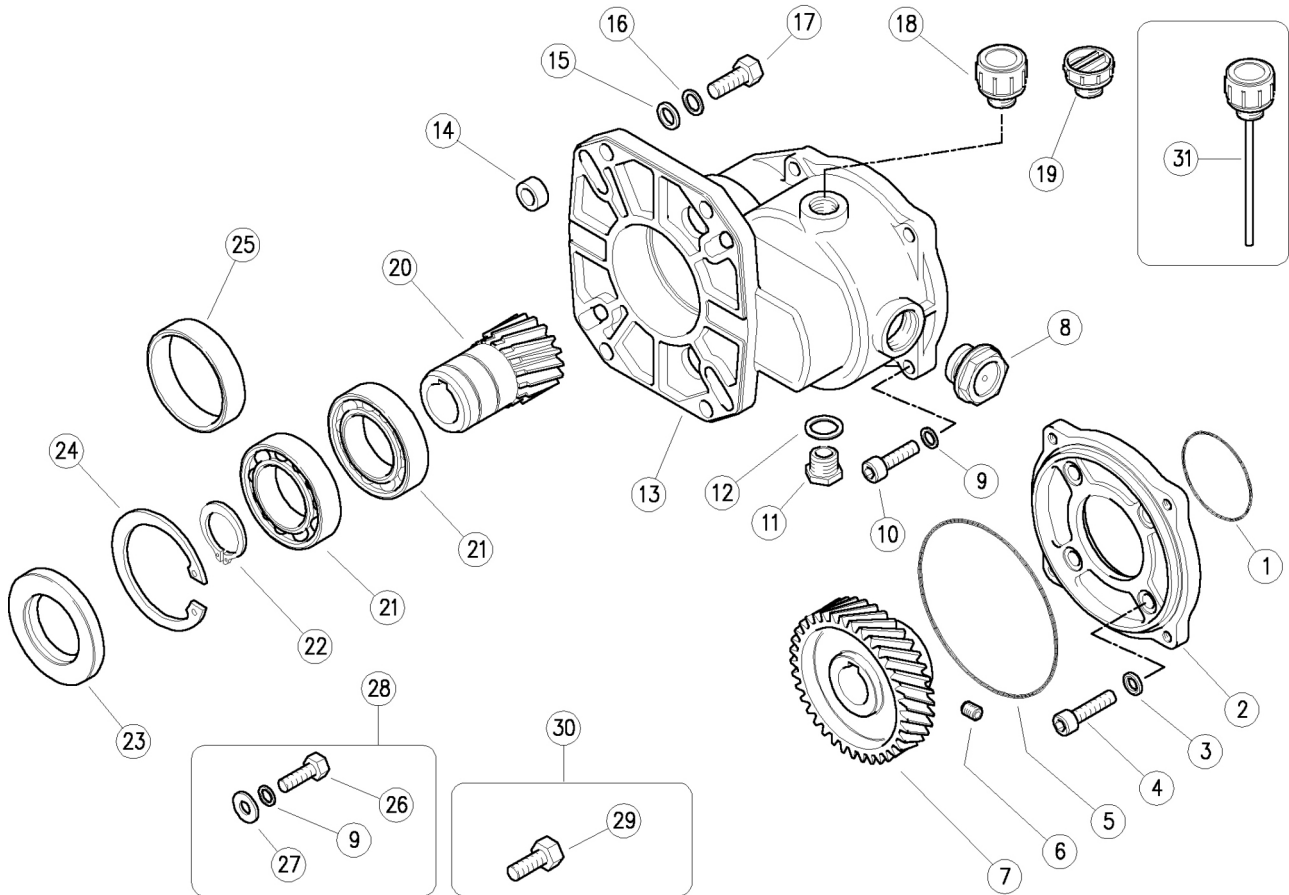
41.2068.11 PL4 500mm+HL250 1,1+AR4 qk.cpl. A M22



Pos.	P/N	Description	Q.ty	K1	K2	K3	K4	
1	10.3182.00	O-ring, 2,62x17,96 mm	1					10
2	26.0225.31	AR4 A M22 hex.screw-type nipple-1/4F Bsp	1					25
3	41.2031.84	Lance grip -PL4, 285mm	1					10
4	41.2032.84	Lance grip -PL4, 200mm PP black	1					10
5	40.5034.66	Tube, 1/4Bsp MM 490mm z.pl.	1					10
6	25.0700.11	HL250-025 var.angle nzl+Hi/Lo set. Bsp	1					10

50.0000.00 B18 Gear box 11-18 HP r.2,176:1
50.0000.25 B18 Gear box 11-18 HP r.2,176:1

50.0040.00 B18 Gear box 11-18 HP r.2,176:1
50.0100.00 B10 Gear box 7-10 HP r.2,176:1



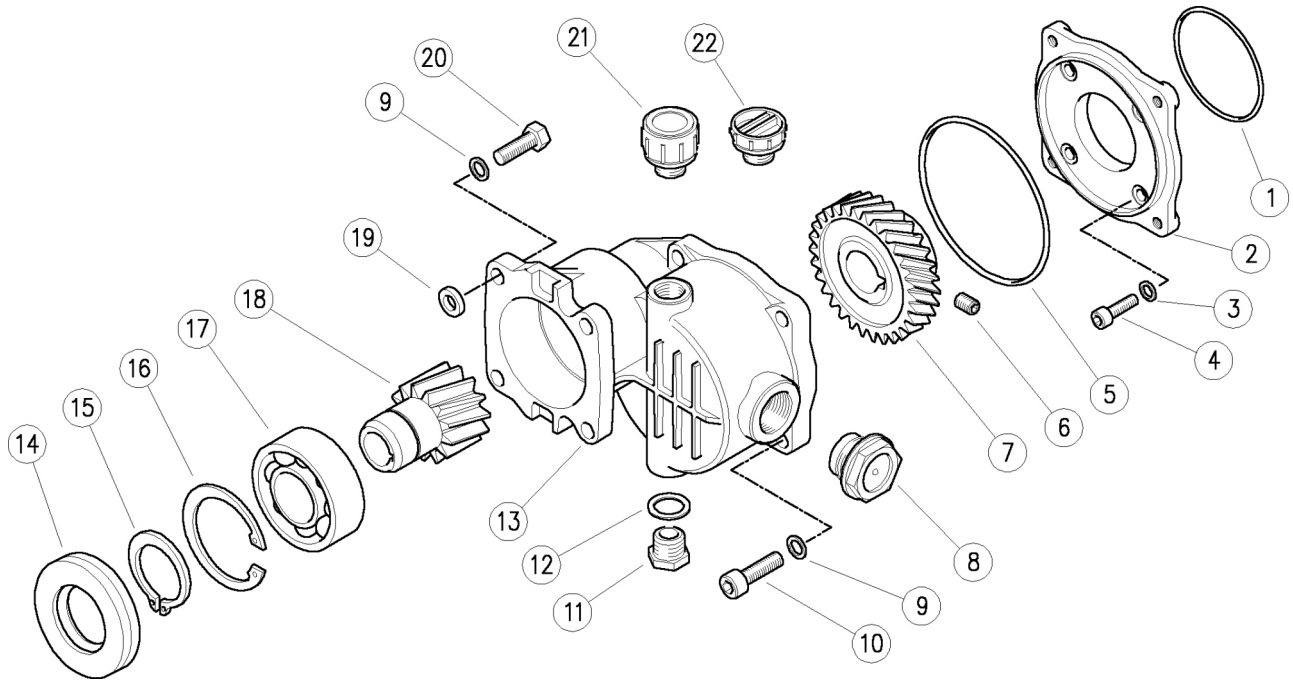
Pos.	P/N	Description	Q.ty	K1	K2	K3	K4	
1	10.3210.56	O-ring, 2,62x56,82 mm	1					10
2	50.0002.44	Gearbox flange, alum.	1					1
3	14.4098.00	Sealing washer, d.8 mm	4					5
4	16.1958.31	Screw, DIN912 M8x30 mm z.pl.	4					4
5	10.3211.11	O-ring, 2,62x113,92 mm	1					10
6	16.2223.00	Set screw, DIN916 M8x10 mm	1					10
7	50.0003.65	Ring gear, Z.37 d.24mm	1					1
8	15.3734.00	See-through oil plug 3/4" Bsp+seal	1					5
9	14.3652.00	Safet. washer, 8,4x13x0,8 mm	8					10
10	16.1958.26	Screw, DIN912 M8x25 mm z.pl.	4					4
11	60.0028.31	Plug,brass 3/8 Bsp,hex.19	1					25
12	14.4042.00	Washer, 16,7x22x1,5 mm alu.	1					25
13	50.0001.44	Gearbox case, alum.	1					1
14	50.0008.31	Spacer ring, 10,3x18x6 mm brass	4					4
15	14.3798.00	Washer, 10,5x17x2 mm	4					10
16	14.3653.00	Safet. washer, 10,5x16x1 mm	4					10
17	16.2010.00	Screw, DIN933 3/8"UNCx1"1/4 z.pl.	4					4

Pos.	P/N	Description	Q.ty	K1	K2	K3	K4	
18	15.3726.00	Oil plug 3/8" Bsp+seal	1					5
19	15.3725.00	Plug, 3/8" Bsp plast.	1					5
20	50.0006.21	Pinion, Z.17 d.1" (25,4mm) complete (1,2)	1					1
20	50.0007.21	Pinion, Z.17 d.1"1/8 (28,6mm) complete (3)	1					1
20	50.0012.21	Pinion, Z.17 25mm complete (4)	1					1
21	11.4440.68	Ball-bearing, 40x68x15 mm	2					2
21	11.4440.68	Ball-bearing, 40x68x15 mm (2)	1					2
22	10.1040.00	Snap ring, E 40	1					5
23	10.2040.72	Seal ring, 40x72x7 mm	1					3
24	10.1072.00	Snap ring, I 72	1					5
25	50.0101.61	Spacer ring, 60x68x15 mm (2)	1					3
26	16.2009.00	Screw, DIN933 5/16"UNFx1" z.pl.	4					4
27	14.3572.00	Washer, 8,4x21x1,5 mm	4					10
28	50.0010.24	Lock-Kit, 127mm,5/16"screws+washers	1					1
29	16.2035.00	Screw, DIN933 M10x35 mm z.pl. **	4					10
30	50.0011.24	Lock-Kit, 165mm, M10 screws **	1					1
31	15.3728.00	Oil plug +dipstick **	1					3

** On request

(1) 50.0000.00 (2) 50.0100.00 (3) 50.0040.00 (4) 50.0000.25

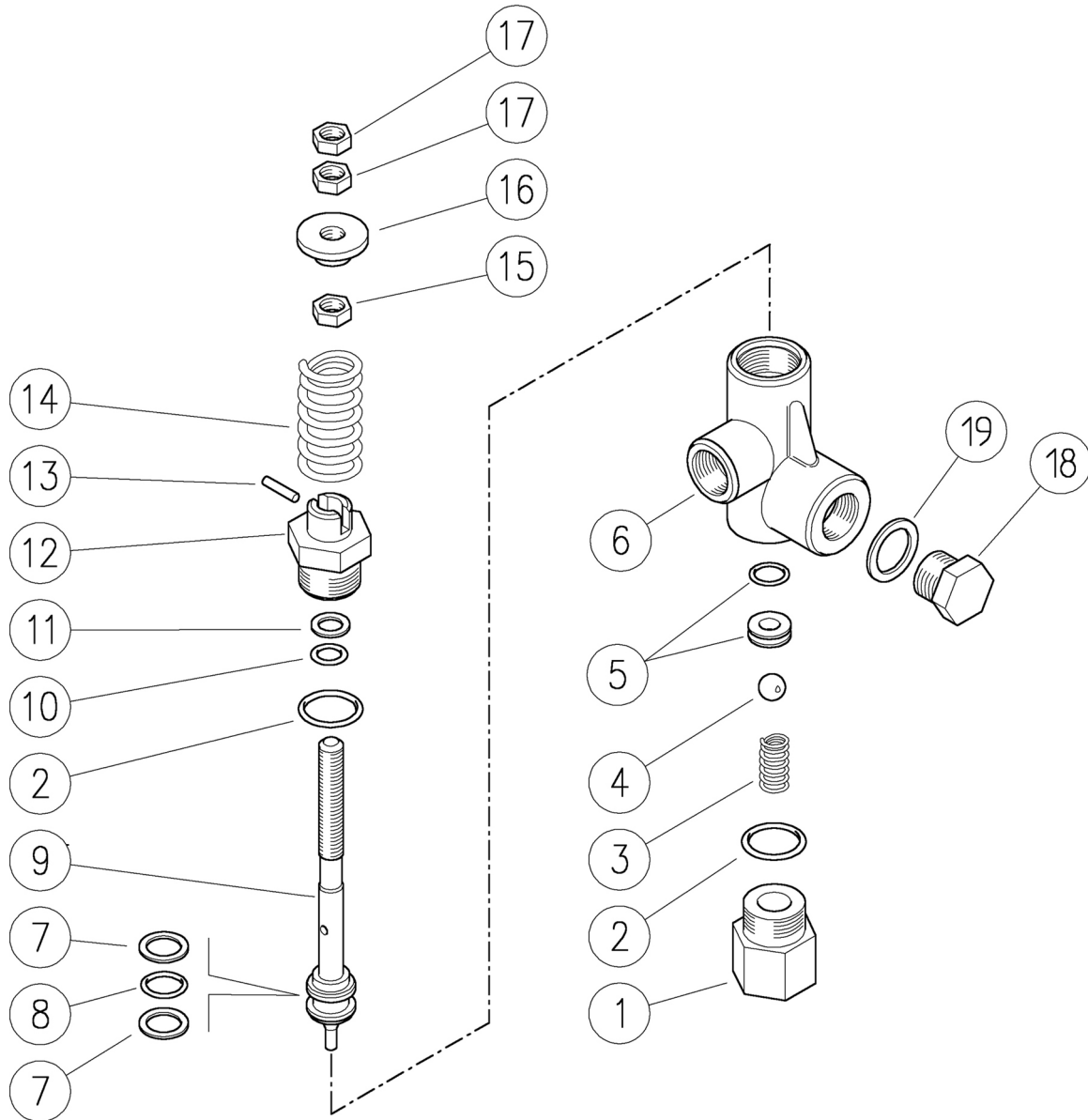
50.0600.00 B5 Gear box 6,5 HP r.2,3:1



Pos.	P/N	Description	Q.ty	K1	K2	K3	K4		Pos.	P/N	Description	Q.ty	K1	K2	K3	K4	
1	10.3081.63	O-ring, 1,78x63,22 mm	1					10	12	14.4042.00	Washer, 16,7x22x1,5 mm alu.	1					25
2	50.0602.44	B5 Gearbox flange, alum.	1					1	13	50.0601.44	B5 Gearbox case, alum.	1					1
3	14.4096.00	Sealing washer, d.6 mm	4					4	14	10.2036.62	Seal ring, 30x62x7 mm	1					3
4	16.1895.18	Screw, DIN912 M6x18 mm z.pl.	4					4	15	10.1015.00	Snap ring, E 30	1					5
5	10.3210.88	O-ring, 2,62x88,57 mm	1					5	16	10.1062.00	Snap ring, I 62	1					5
6	16.2223.00	Set screw, DIN916 M8x10 mm	1					10	17	11.4430.62	Ball-bearing, 30x62x16 mm	1					2
7	50.0603.65	Ring gear, Z.30 d.24mm -B5 Gearbox	1					1	18	50.0604.61	Pinion, Z.13 19mm	1					1
8	15.3734.00	See-through oil plug 3/4" Bsp+seal	1					5	19	50.0605.41	Washer, 8,3x16x3 mm alum.	4					4
9	14.3652.00	Safet. washer, 8,4x13x0,8 mm	8					10	20	16.2009.00	Screw, DIN933 5/16"UNFx1" z.pl.	4					4
10	16.1958.26	Screw, DIN912 M8x25 mm z.pl.	4					4	21	15.3726.00	Oil plug 3/8" Bsp+seal	1					5
11	60.0028.31	Plug,brass 3/8 Bsp,hex.19	1					25	22	15.3725.00	Plug, 3/8" Bsp plast.	1					5

60.0220.00 VRP200 safety valv. 3/8F Bsp-120bar
 60.0220.05 VRP200 safety valv. 3/8F Npt-120bar

60.0220.60 VRP200 safety valv. 3/8F Bsp-250bar
 60.0220.65 VRP200 safety valv. 3/8F Npt-250bar



Pos.	P/N	Description	Q.ty	K1	K2	K3	K4	
1	60.0024.31	Suction coupl., 3/8F Bsp brass	1					10
1	60.0030.31	Suction coupl., 3/8F Npt brass (1)	1					10
2	10.3068.00	O-ring, 1,78x17,17 mm	2	•				10
3	60.0015.51	Spring, 1,4x10x16 mm Sst.	1					10
4	14.7461.00	Ball, 13/32" Sst.	1	•				10
5	60.0259.20	Seat, 8mm + O-ring, 1,78mm	1	•				10
6	60.0251.35	Housing -VRP200, 3/8F Bsp brass	1					3
6	60.0252.35	Housing -VRP200, 3/8F Npt brass (1)	1					1
7	10.4021.00	Back-up ring, opn. 11,5x15,9x1,2 mm	2	•				10
8	10.3175.00	O-ring, 2,62x10,77 mm	1	•				10
9	60.0061.23	Valve piston, Sst.	1					5
10	10.3170.00	O-ring, 2,62x7,6 mm	1	•				10

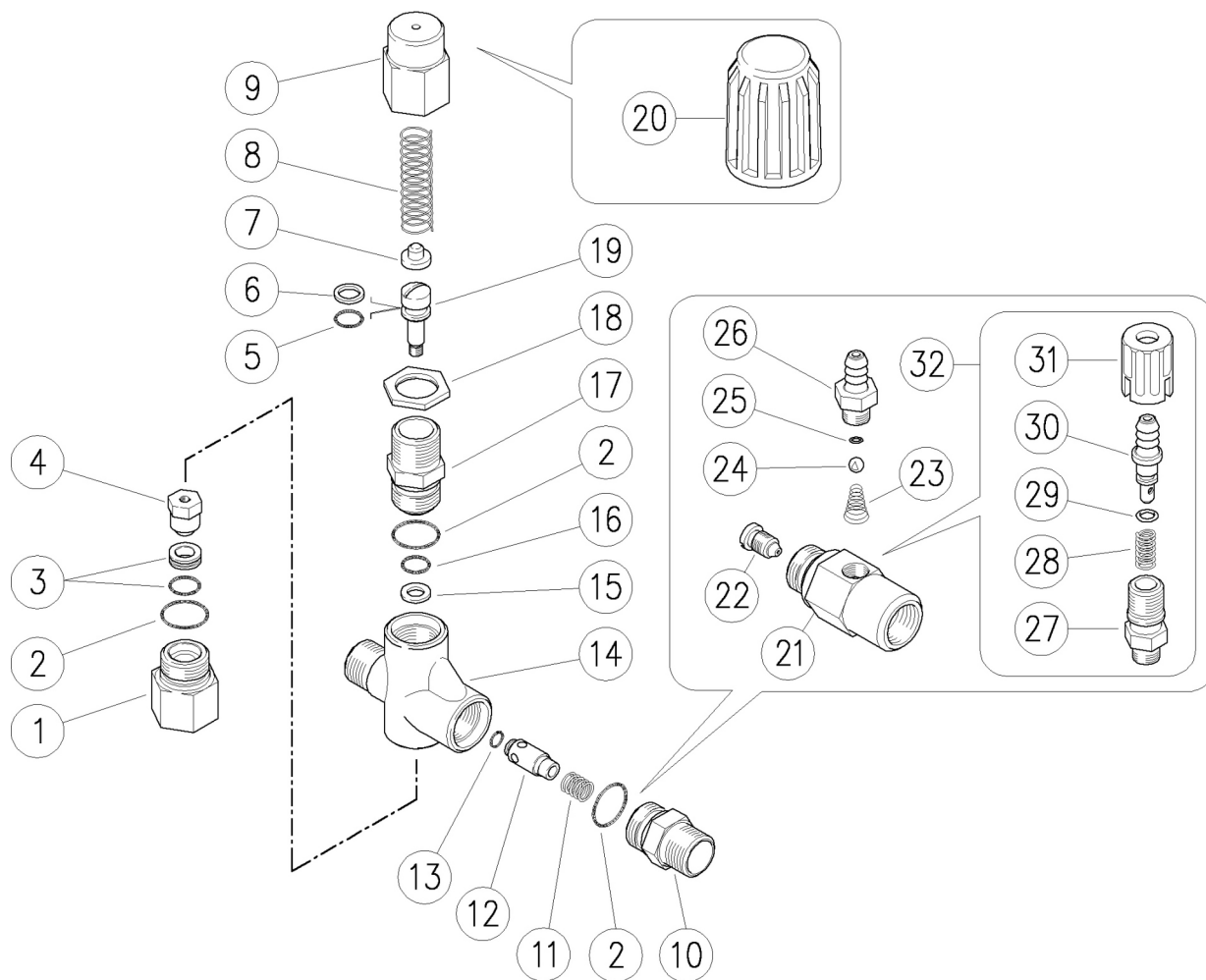
Pos.	P/N	Description	Q.ty	K1	K2	K3	K4	
11	10.4020.00	Back-up ring, 8x12,6x1,2 mm	1	•				10
12	60.0064.31	Piston holder, brass	1					5
13	15.1021.00	Roll pin, 3x14 mm Sst.	1					10
14	60.0012.61	Spring, 5x25x50 mm white (2)	1					5
14	60.0033.61	Spring, 5,7x26x53 mm blue (3)	1					5
15	11.4576.31	Hex. nut, M8, brass	1					10
16	60.0011.31	Spring holder ring, brass	1					5
17	11.4574.00	Hex. nut, M8	2					10
18	60.0028.31	Plug, brass 3/8 Bsp, hex. 19	1					25
18	60.0025.31	Grub screw, brass 3/8M Npt (1)	1					10
19	14.4042.00	Washer, 16,7x22x1,5 mm alu.	1					25

Kit	P/N	Description	
K1	60.0257.24	Spares kit -VRP200, 8x5pcs.	1

(1) 60.0220.65 (2) 60.0220.00 (3) 60.0220.60

60.0300.00 VB130 unload. 3/8MM Bsp, byp:3/8F
 60.0300.05 VB 130 unload. 3/8M Npt, byp:3/8F
 60.0300.50 VB130-8MPa valve 3/8Bsp M z.pl. spring

60.0300.55 VB130-8MPa valve 3/8 Npt M z.pl. spring
 60.0320.21 VB130 valv. 3/8Bsp MM +2,1mm adjust.inj.
 60.0321.18 VB 130 unld.3/8M Bsp,by:3/8F+fix.inj,1,8



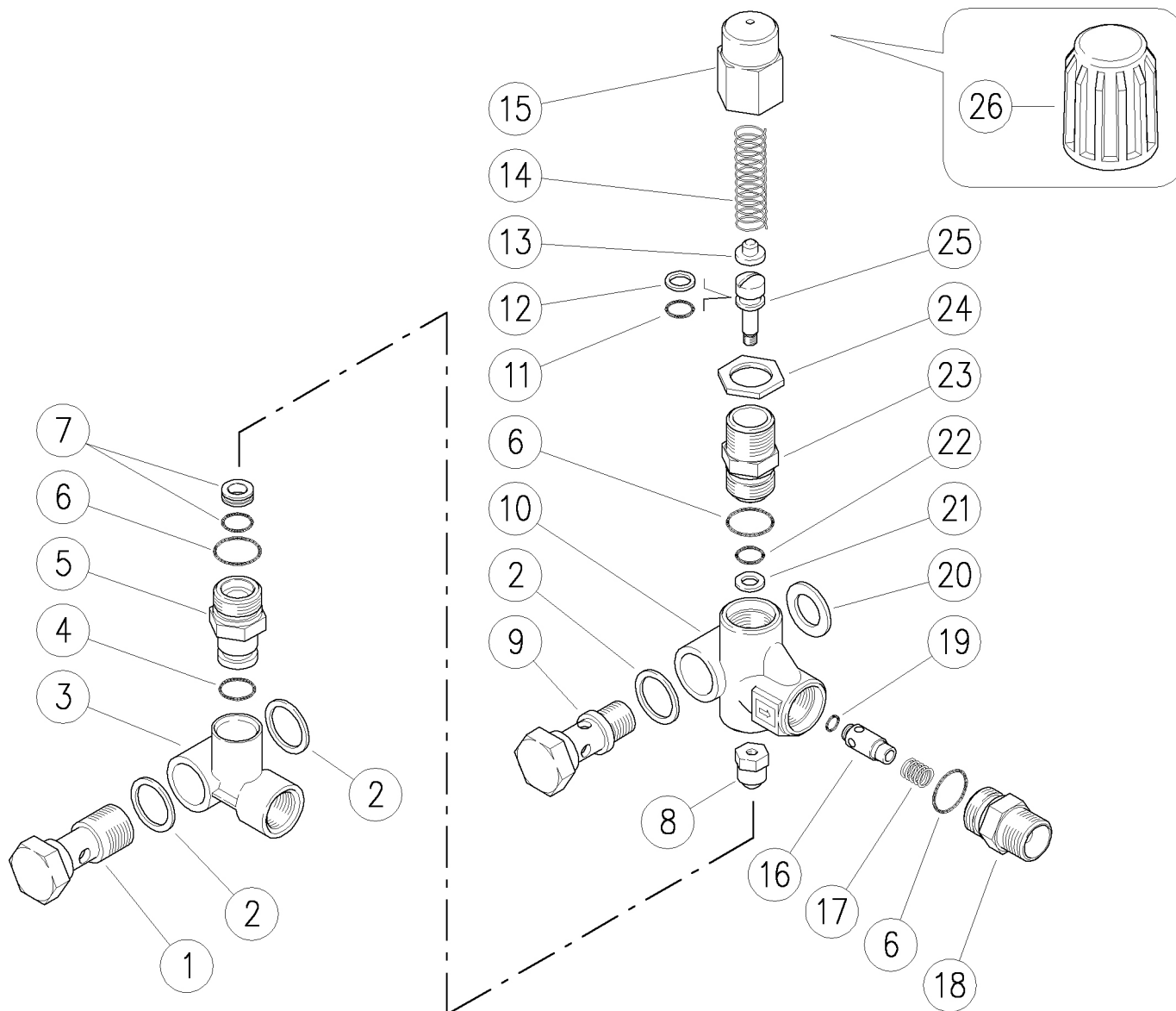
Pos.	P/N	Description	Q.ty	K1	K2	K3	K4	
1	60.0306.31	Bypass coupl., 3/8F Bsp brass	1					10
1	60.0327.31	Seat coupl., 3/8F Npt brass (1,2)	1					10
2	10.3066.00	O-ring, 1,78x15,6 mm	3	•	•			10
3	60.0314.20	Seat, 7mm + O-ring, 1mm NBR85	1	•	•			10
4	60.0333.21	Rest, M5 brass + ball, 11/32" Sst.	1	•	•			5
5	10.3055.00	O-ring, 1,78x7,66 mm	1	•	•			10
6	10.4008.00	Back-up ring, opn. 8x11x1,2 mm	1	•	•			10
7	60.0310.61	Spring guide, z.pl.	1					10
7	60.0310.51	Spring seat, Sst. **	1					10
8	60.0313.61	Spring, 3x12,3x41 mm	1					10
8	60.0323.61	Spring, 2,5x12x41 mm white (3,2)	1					10
9	60.0304.31	Valve regulating knob, brass	1					5
10	60.0305.31	Delivery coupl., 3/8M Bsp c/sunk, brass	1					10
10	60.0326.31	Delivery coupl., 3/8M Npt brass (1,2)	1					10
11	60.0312.51	Spring, 0,6x8,4x11 mm Sst.	1					10
12	60.0308.99	Shutter pin, brass+or 2,5x4 mm	1					10
12	60.0308.51	Check valve, Sst. **	1					3
13	10.3125.00	O-ring, 2,5x4 mm	1	•	•			10
14	60.0301.35	Valve housing, -3/8M Bsp brass	1					5
14	60.0325.35	Housing -VB130, 3/8M Npt brass (1,2)	1					1

Pos.	P/N	Description	Q.ty	K1	K2	K3	K4	
15	10.4006.00	Back-up ring, 8,6x6x1,2 mm	1	•	•			10
16	10.3051.01	O-ring, 1,78x6,07 mm	1	•	•			10
17	60.0303.31	Piston holder, brass	1					5
18	60.0317.31	Locknut, M18x1 brass	1					10
19	60.0331.99	Piston, M5 Sst.+or+p/back	1	•	•			10
20	60.0315.84	Knob VB 7 / 130,plast, hexag.22 **	1					10
21	21.0211.31	Inject.housing, M18x1-3/8MM Bsp brass (4)	1					2
21	21.0231.31	Inject.housing, M18x1M-M22x1,5M brass	1					2
22	21.0212.51	Nozzle, M8x1 - 1,8 mm Sst. (5)	1					10
22	21.0213.51	Nozzle, M8x1 - 2,1 mm Sst.	1					10
23	21.0160.511	Tapered spring, Sst. -inject., 25pcs	1					1
24	14.7420.01	Ball, 7/32" Sst. Aisi 316	1					10
25	10.3049.00	O-ring, 1,78x5,28 mm Vi 70	1					10
26	21.0003.31	Hose barb, 8 - M12x1 mm brass (5)	1					10
27	21.0173.31	Coupling, M12x1-1/4M Bsp brass	1					10
28	21.0158.51	Spring, 0,8x7x15 mm Sst.	1					10
29	10.3043.01	O-ring, 1,78x4,48 mm Vi 70	1					10
30	21.0155.99	Hose barb, d.8 mm brass+o-ring	1					3
31	21.0171.84	Inject.knob, 1/4F Bsp black	1					10
32	21.0100.00	Regulator+h.barb 8-M12x1mm brs. inject. (4)	1					50

** On request

Kit	P/N	Description	
K1	60.0398.24	Spares kit -VB130, 10x1pcs.	1
K2	60.0334.24	Spares kit -VB130, 10x5pcs.	1

(1) 60.0300.05 (2) 60.0300.55 (3) 60.0300.50 (4) 60.0320.21 (5) 60.0321.18



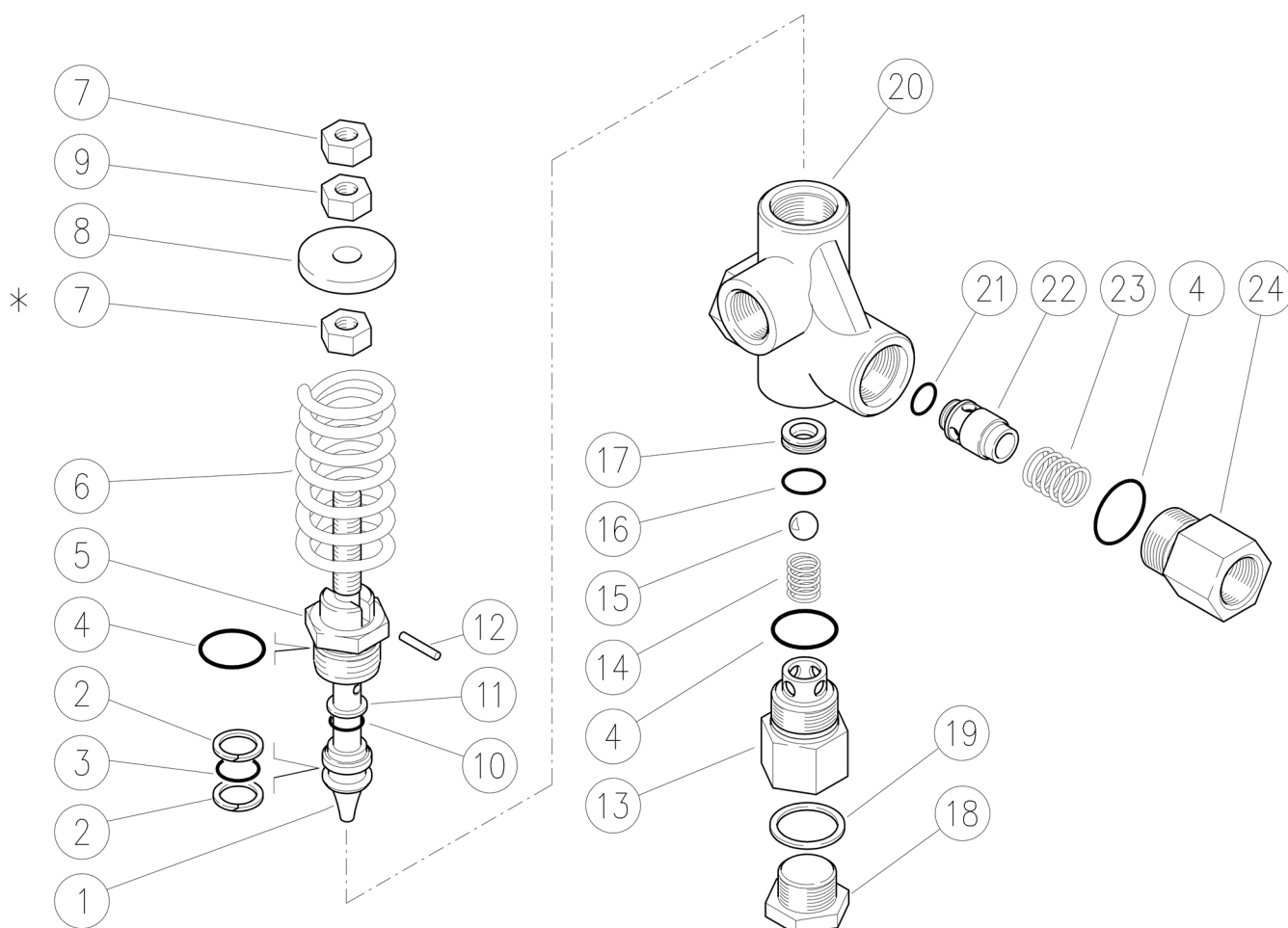
Pos.	P/N	Description	Q.ty	K1	K2	K3	K4	
1	60.0803.31	Pierced suction screw, 3/8M Bsp brass	1					10
2	14.4100.00	Sealing washer, 3/8 Bsp	3					10
3	60.0821.35	Valve manifold, 3/8F Bsp brass	1					1
4	10.3109.96	O-ring, 2,4x10,3 mm Vi 70	1					10
5	60.0382.31	Seat holder, 15x19 mm brass	1					3
6	10.3066.00	O-ring, 1,78x15,6 mm	3	•				10
7	60.0314.20	Seat, 7mm + O-ring, 1mm NBR85	1	•				10
8	60.0333.21	Rest, M5 brass + ball, 11/32" Sst.	1	•				5
9	60.0385.31	Pierced suction screw, 1/4M Bsp brs.	1					5
10	60.0801.35	Valve housing -VB135, brass	1					1
11	10.3055.00	O-ring, 1,78x7,66 mm	1	•				10
12	10.4008.00	Back-up ring, opn. 8x11x1,2 mm	1	•				10
13	60.0310.61	Spring guide, z.pl.	1					10

Pos.	P/N	Description	Q.ty	K1	K2	K3	K4	
14	60.0313.61	Spring, 3x12,3x41 mm	1					10
15	60.0304.31	Valve regulating knob, brass	1					5
16	60.0308.99	Shutter pin, brass+or 2,5x4 mm	1					10
17	60.0312.51	Spring, 0,6x8,4x11 mm Sst.	1					10
18	60.0305.31	Delivery coupl., 3/8M Bsp c/sunk, brass	1					10
19	10.3125.00	O-ring, 2,5x4 mm	1	•				10
20	14.3813.22	Washer, 13,2x22x1,5 mm alu.	1					25
21	10.4006.00	Back-up ring, 8,6x6x1,2 mm	1	•				10
22	10.3051.01	O-ring, 1,78x6,07 mm	1	•				10
23	60.0303.31	Piston holder, brass	1					5
24	60.0317.31	Locknut, M18x1 brass	1					10
25	60.0331.99	Piston, M5 Sst.+or+p/back	1	•				10
26	60.0315.84	Knob VB 7 / 130,plast, hexag.22	1					10

Kit	P/N	Description	
K1	60.0398.24	Spares kit -VB130, 10x1pcs.	1

60.0430.00 VB80/400 unload. 1/2F Bsp Ai303
 60.0430.15 VB80/150 unload. 1/2F Bsp Ai303
 60.0430.40 VB80/280 unload. 1/2F Bsp Ai303
 60.0430.50 VB80/400 unload. 1/2F Npt Ai303
 60.0448.15 VB80A/150 unl. 1/2Bsp Aisi 303 white sp.-

60.0448.28 VB80A/280 unl. 1/2Bsp Aisi 303 blue spring -
 60.0455.15 VB80/150 unload. 1/2F Bsp Ai303 +vit.O-R
 60.0455.60 VB80/280 unload. 1/2F Bsp Ai303 +vit.O-R
 60.0455.80 VB80/400 unload. 1/2F Bsp Ai303 +vit.O-R



Pos.	P/N	Description	Q.ty	K1	K2	K3	K4
1	60.0432.51	Piston, M10 Sst. (1,2,3)	1				3
1	60.0407.51	Piston, M10 Sst.	1				5
2	10.4014.00	Back-up ring, opn. 18x13,5x1,2 mm	2	•	•		10
3	10.3178.01	O-ring, 2,62x13,1 mm Ni 85	1	•	•		10
3	10.3178.10	O-ring, 2,62x13,1 mm Vi 70 (4,5,3)	1		•	•	10
4	10.3072.01	O-ring, 1,78x20,35 mm Ni 85	3	•	•		10
4	10.3072.10	O-ring, 1,78x20,35 mm Vi 70 (4,5,3)	3		•	•	10
5	60.0433.51	Stem holder, Sst.	1				5
6	60.0434.61	Spring, 8,5x38x80 mm black (1,2,3)	1				3
6	60.0412.61	Spring, 7,5x35x70 mm blue (6,7,5)	1				10
6	60.0411.61	Spring, 6,5x33x70 mm white (8,9,4)	1				3
7	11.4629.00	Hex. nut, M10 (1,2)	2				10
7	11.4627.50	Hex. nut, M10, Sst. (8,6,9,7)	3				10
8	60.0406.31	Spring holding washer, brass	1				10
9	11.4630.00	Hex. nut, M10 (1,2)	1				10
10	10.3174.01	O-ring, 2,62x9,93 mm Ni 85	1	•	•		10
10	10.3174.10	O-ring, 2,62x9,93 mm Vi 70 (4,5,3)	1		•	•	10
11	10.4015.00	Back-up ring, 10x14,5x1,2 mm	1	•	•		10
12	15.1032.00	Roll pin, 3x18 mm Sst.	1				10

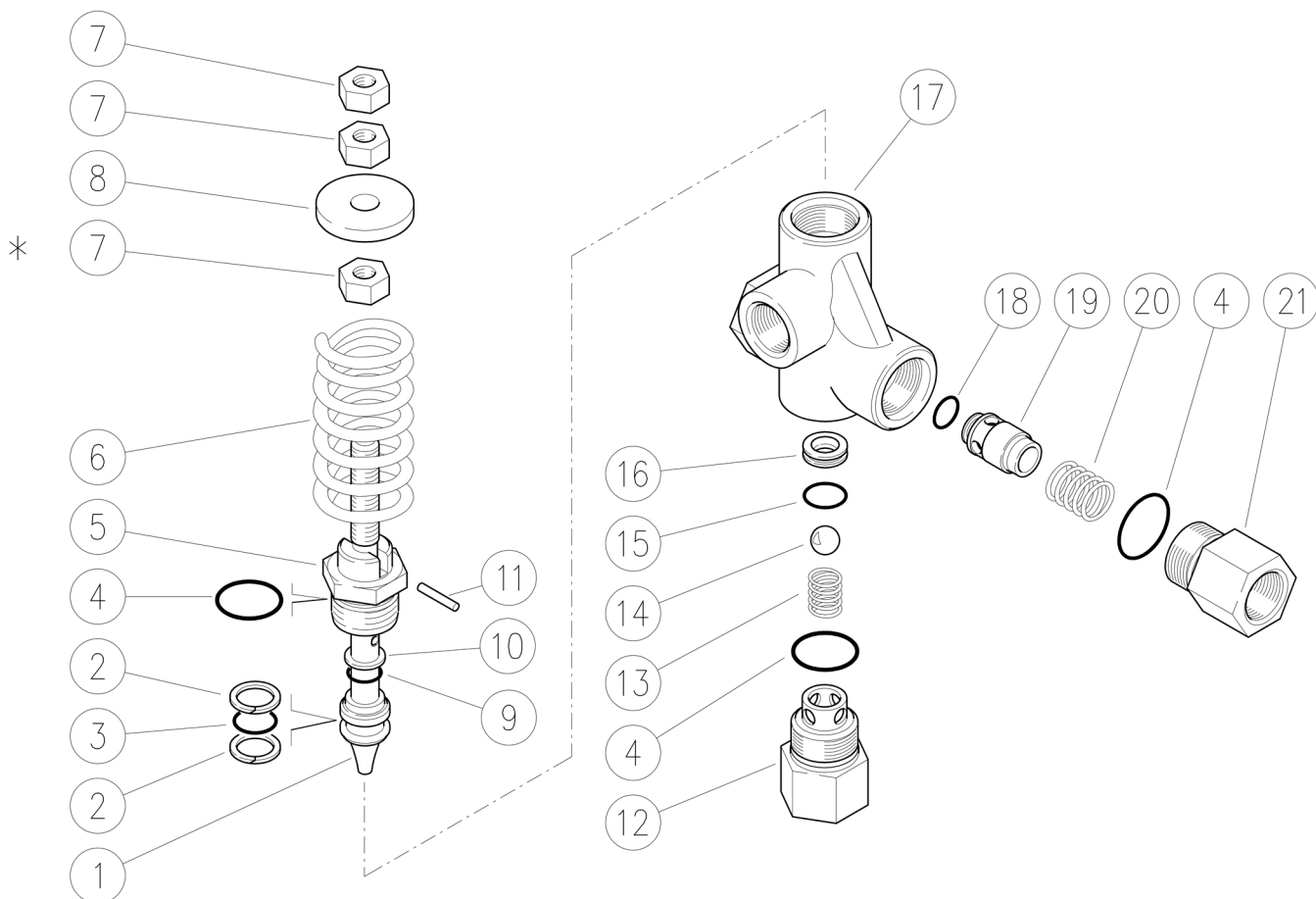
Pos.	P/N	Description	Q.ty	K1	K2	K3	K4
13	60.0405.51	Suction coupl., 1/2F Bsp Sst.	1				3
13	60.0438.51	Suction coupl., 1/2"Npt Sst. (2)	1				3
14	60.0410.51	Spring, 1,6x11,5x20 mm Sst.	1				5
15	14.7461.00	Ball, 13/32" Sst.	1	•	•	•	10
16	10.3060.01	O-ring, 1,78x12,42 mm Ni 85	1	•	•		10
16	10.3060.10	O-ring, 1,78x12,42 mm Vi 70 (4,5,3)	1		•	•	10
17	60.0408.51	Seat, 8,5x15,9x4,5 mm Sst.	1	•	•	•	5
18	60.0413.51	Plug.sst. 1/2 Bsp, hex.27	1				3
18	60.0444.51	Grub screw, sst. 1/2 Npt (2)	1				1
19	14.4101.00	Sealing washer, 1/2 Bsp	1				10
20	60.0431.55	Housing -VB80, 1/2F Bsp Sst.	1				3
20	60.0436.55	Housing -VB80, 1/2F Npt Sst. (2)	1				1
21	10.3292.00	O-ring, 4x8 mm	1	•	•		10
21	10.3292.10	O-ring, 4x8 mm Vi 70 (4,5,3)	1		•	•	10
22	60.9403.95	Shutter pin, Sst.+or 4x8 mm N	1				5
22	60.9403.92	Shutter pin, Sst.+or 4x8 mm V (4,5,3)	1				5
23	60.0409.51	Spring, 0,8x15,4x13 mm Sst.	1				5
24	60.0402.51	Suction coupl., 1/2F Bsp Sst.	1				3
24	60.0437.51	Delivery coupl., 1/2"Npt Sst. (2)	1				5

Kit	P/N	Description	Q.ty
K1	60.0451.24	Spares kit -VB80/400, Sst. 9x1pcs.	1
K2	60.0435.24	Spares kit -VB80/400, Sst. 9x5pcs.	1
K3	60.0446.24	Seals kit -VB80+O-ring, FKM 7x1pcs.	1
K4	60.0452.24	KIT O-Rings -VB80 Viton, 9x5 pcs	1

(1) 60.0430.00 (2) 60.0430.50 (3) 60.0455.80 (4) 60.0455.15 (5) 60.0455.60 (6) 60.0430.40 (7) 60.0448.28 (8) 60.0430.15 (9) 60.0448.15

60.0450.00 VB80/150 unload. 1/2F Bsp Ai316
 60.0450.05 VB80/150 unload. 1/2F Npt Ai316
 60.0450.60 VB80/280 unload. 1/2F Bsp Ai316

60.0458.15 VB 80A/150 unl. 1/2Bsp Ai316 white spring -
 60.0458.28 VB 80A/280 unl. 1/2Bsp Ai316 blue spring -



Pos.	P/N	Description	Q.ty	K1	K2	K3	K4	
1	60.0432.60	Piston, M10 aisi316 Sst.	1					3
2	10.4014.00	Back-up ring, opn. 18x13,5x1,2 mm	2	10
3	10.3178.10	O-ring, 2,62x13,1 mm Vi 70	1	10
4	10.3072.10	O-ring, 1,78x20,35 mm Vi 70	3	10
5	60.0404.60	Piston holder, aisi316 Sst.	1					3
6	60.0412.61	Spring, 7,5x35x70 mm blue (1,2)	1					10
6	60.0411.61	Spring, 6,5x33x70 mm white (3,4,5)	1					3
7	11.4627.50	Hex. nut, M10, Sst.	3					10
8	60.0406.31	Spring holding washer, brass	1					10
9	10.3174.10	O-ring, 2,62x9,93 mm Vi 70	1	10
10	10.4015.00	Back-up ring, 10x14,5x1,2 mm	1	10
11	15.1032.00	Roll pin, 3x18 mm Sst.	1					10
12	60.0405.60	Suction coupl., 1/2F Bsp aisi316 Sst.	1					3

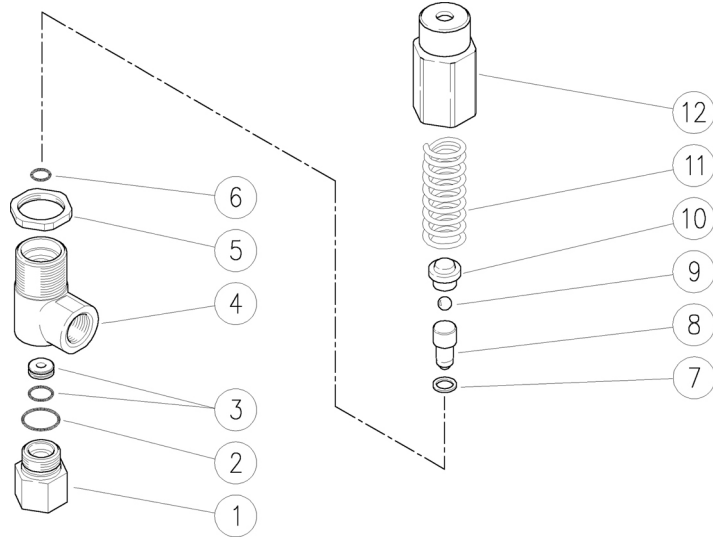
Pos.	P/N	Description	Q.ty	K1	K2	K3	K4	
12	60.0438.60	Sst Ai 316 inlet fitting 1/2 Npt (4)	1					1
13	60.0410.60	Spring, 1,6x11,5x20 mm aisi316 Sst.	1					5
14	14.7461.01	Ball, 13/32" Sst. ai.316	1	10
15	10.3060.10	O-ring, 1,78x12,42 mm Vi 70	1	10
16	60.0408.60	Seat, 8,5x15,9x4,5 mm aisi316 Sst.	1	3
17	60.0431.60	Housing -VB80, 1/2F Bsp aisi316 Sst.	1					1
17	60.0436.60	Valve housing VB80 Npt Ai306 (4)	1					1
18	10.3292.10	O-ring, 4x8 mm Vi 70	1	10
19	60.0403.60	Shutter pin, aisi316 Sst.	1					3
20	60.0409.60	Spring, 0,8x15,4x13 mm aisi316 Sst.	1					5
21	60.0402.60	Shutter coupl., 1/2F Bsp aisi316 Sst.	1					3
21	60.0437.60	Sst Ai.316 outlet connect.1/2 Npt (4)	1					5

Kit	P/N	Description	
K1	60.0445.24	Repair kit -VB80, aisi316 Sst. 9x1pcs.	1
K2	60.0446.24	Seals kit -VB80+O-ring, FKM 7x1pcs.	1
K3	60.0439.24	Repair kit -VB80, aisi316+O-R, FKM 9x5pcs.	1

(1) 60.0450.60 (2) 60.0458.28 (3) 60.0450.00 (4) 60.0450.05 (5) 60.0458.15

60.0515.00 VS220 safety valv. 3/8F Bsp -1 inl.port
 60.0525.00 VS220 safety valv. 3/8F Bsp -2 inl.ports

60.0540.00 VS170 safety valv. 3/8F Bsp -1 inl.port

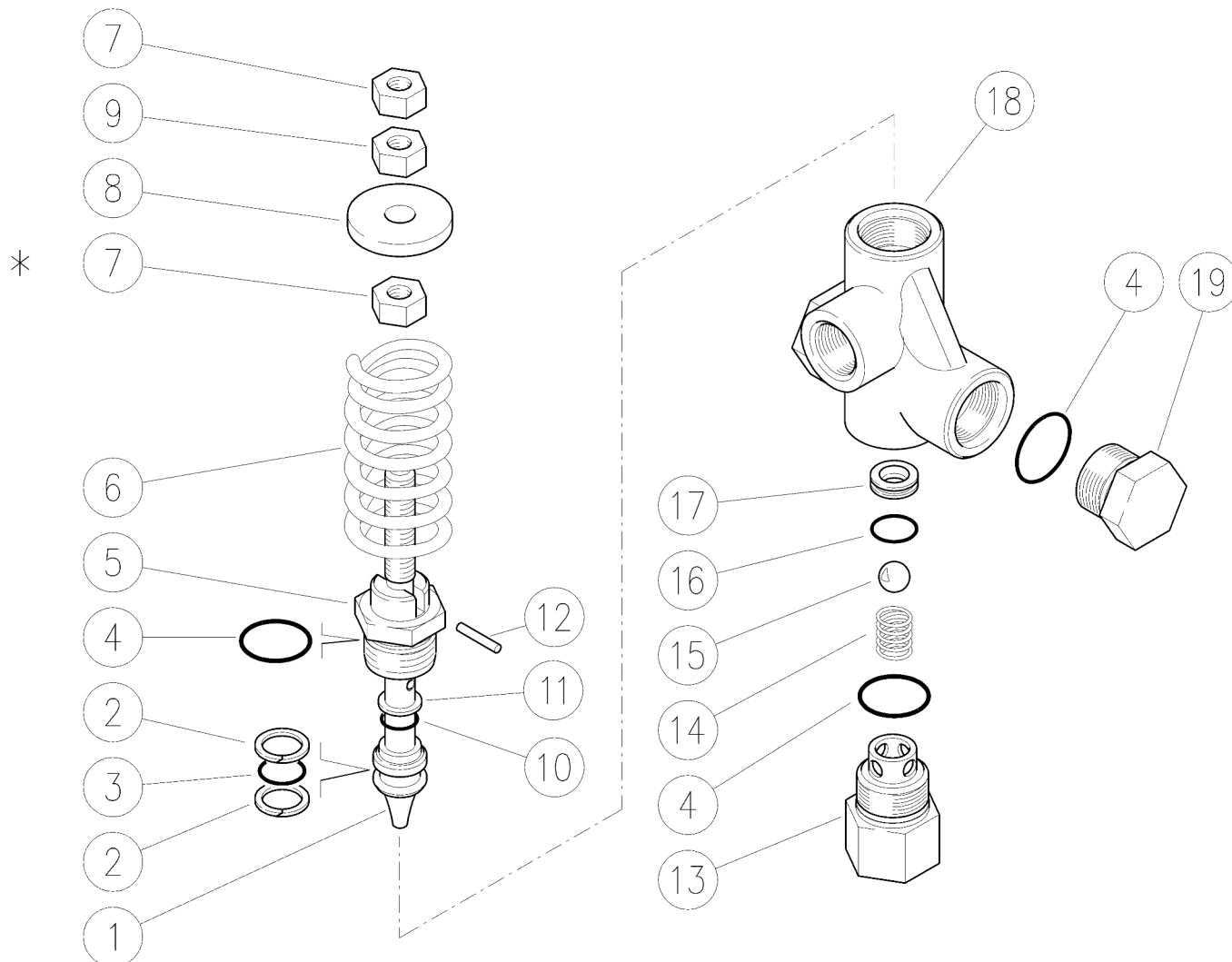


Pos.	P/N	Description	Q.ty	K1	K2	K3	K4	
1	60.0306.31	Bypass coupl., 3/8F Bsp brass	1					10
2	10.3066.00	O-ring, 1,78x15,6 mm	1	•				10
3	60.0511.20	Seat, 4,4mm +O-ring, 1mm NBR85	1	•				10
4	60.0517.35	Housing -VS170-220, 3/8F Bsp brass	1					5
4	60.0526.35	Housing -VS170-220, 3/8Bsp FF brass (1)	1					5
5	60.0523.31	Ring nut, M24x1,25 brass	1					10
6	10.3055.00	O-ring, 1,78x7,66 mm	1	•				10

Pos.	P/N	Description	Q.ty	K1	K2	K3	K4	
7	10.4025.00	Back-up ring, 8x11x1,2 mm	1	•				10
8	60.0514.21	Piston +ball, 7/32" Sst.	1					10
9	14.7421.50	Ball, 1/4" Sst.	1					10
10	60.0503.31	Ball holding piston, brass	1					5
11	60.0516.61	Spring, 4,3x14,3x53 mm z.pl.	1					10
11	60.0502.61	Spring, 4x14,5x53 mm z.pl. (2)	1					5
12	60.0532.31	Valve regulating knob, M24 brass	1					10

Kit	P/N	Description	
K1	60.0535.24	Spares kit -VS170-220, 5x1pcs.	1

(1) 60.0525.00 (2) 60.0540.00



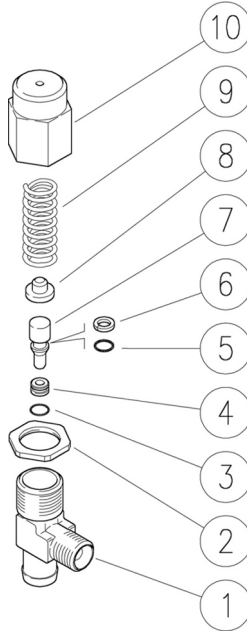
Pos.	P/N	Description	Q.ty	K1	K2	K3	K4	
1	60.0432.51	Piston, M10 Sst.	1					3
2	10.4014.00	Back-up ring, opn. 18x13,5x1,2 mm	2	•				10
3	10.3178.01	O-ring, 2,62x13,1 mm Ni 85	1	•				10
4	10.3072.01	O-ring, 1,78x20,35 mm Ni 85	3	•				10
5	60.0433.51	Stem holder, Sst.	1					5
6	60.0434.61	Spring, 8,5x38x80 mm black	1					3
7	11.4629.00	Hex. nut, M10	2					10
8	60.0406.31	Spring holding washer, brass	1					10
9	11.4630.00	Hex. nut, M10	1					10
10	10.3174.01	O-ring, 2,62x9,93 mm Ni 85	1	•				10
11	10.4015.00	Back-up ring, 10x14,5x1,2 mm	1	•				10

Pos.	P/N	Description	Q.ty	K1	K2	K3	K4	
12	15.1032.00	Roll pin, 3x18 mm Sst.	1					10
13	60.0405.51	Suction coupl., 1/2F Bsp Sst.	1					3
13	60.0438.51	Suction coupl., 1/2"Npt Sst. (1)	1					3
14	60.0410.51	Spring, 1,6x11,5x20 mm Sst.	1					5
15	14.7461.00	Ball, 13/32" Sst.	1	•				10
16	10.3060.01	O-ring, 1,78x12,42 mm Ni 85	1	•				10
17	60.0408.51	Seat, 8,5x15,9x4,5 mm Sst.	1	•				5
18	60.0431.55	Housing -VB80, 1/2F Bsp Sst.	1					3
18	60.0436.55	Housing -VB80, 1/2F Npt Sst. (1)	1					1
19	60.0552.51	Plug, sst. M24x1,5, hex.27	1					5

Kit	P/N	Description	
K1	60.0554.24	Spares kit -VS80/400, 8x5pcs.	1

(1) 60.0550.50

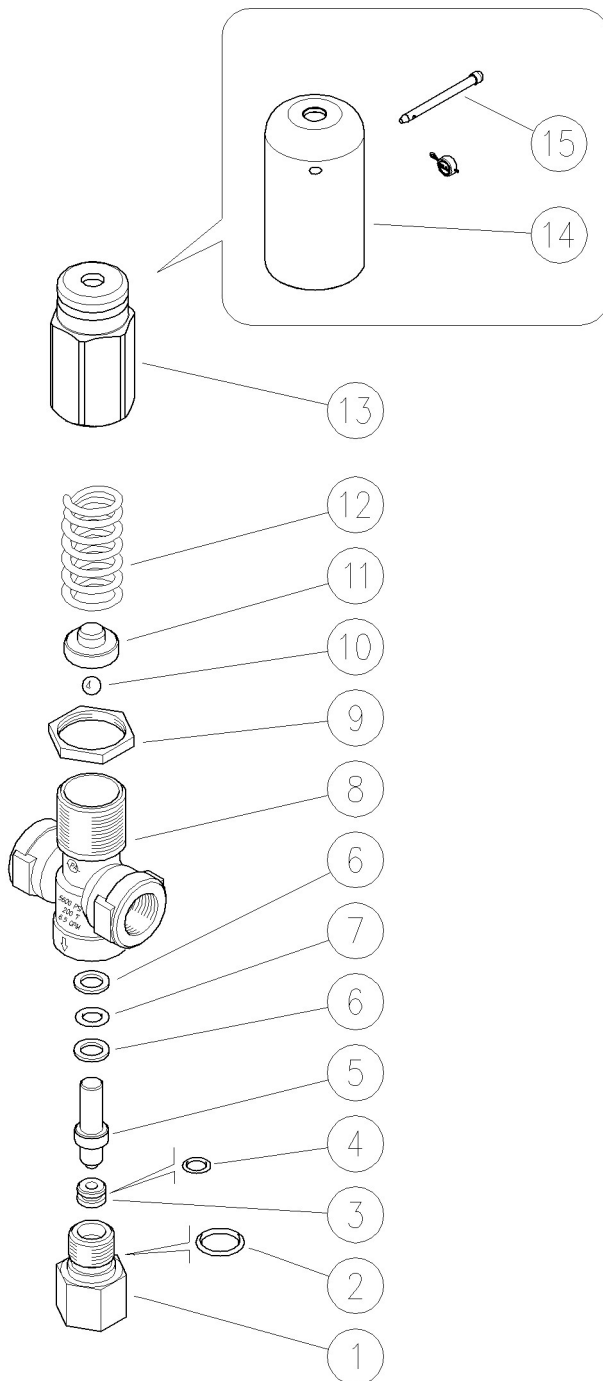
60.0560.00 VS160 saf.valv.1/4M-1/8F Bsp/13mm h.barb



60.0560.30 VS30 saf.valv.1/4M-1/8F Bsp/13mm h.barb

Pos.	P/N	Description	Q.ty	K1	K2	K3	K4	
1	60.0561.35	Valve housing -VS160-30, brass	1					1
2	60.0317.31	Locknut, M18x1 brass	1					10
3	10.3002.01	O-ring, 1x5 mm Ni 85	1	•				10
4	60.0564.51	Seat, 3,3x7x4 mm Sst.	1	•				5
5	10.3049.01	O-ring, 1,78x5,28 mm	1	•				10
6	10.4002.52	Back-up ring, 5x8x1,5 mm	1	•				10
7	60.0562.51	Piston, 8mm Sst.	1					5
8	60.0310.61	Spring guide, z.pl.	1					10
9	60.0563.61	Spring, 3x12,6x33 mm z.pl.	1					5
9	60.0567.61	Spring, 2,2x10,2x33 mm z.pl. (1)	1					5
10	60.0304.31	Valve regulating knob, brass	1					5

Kit	P/N	Description	
K1	60.0566.24	Spares kit -VS160-30, 4x1pcs.	1
	(1) 60.0560.30		

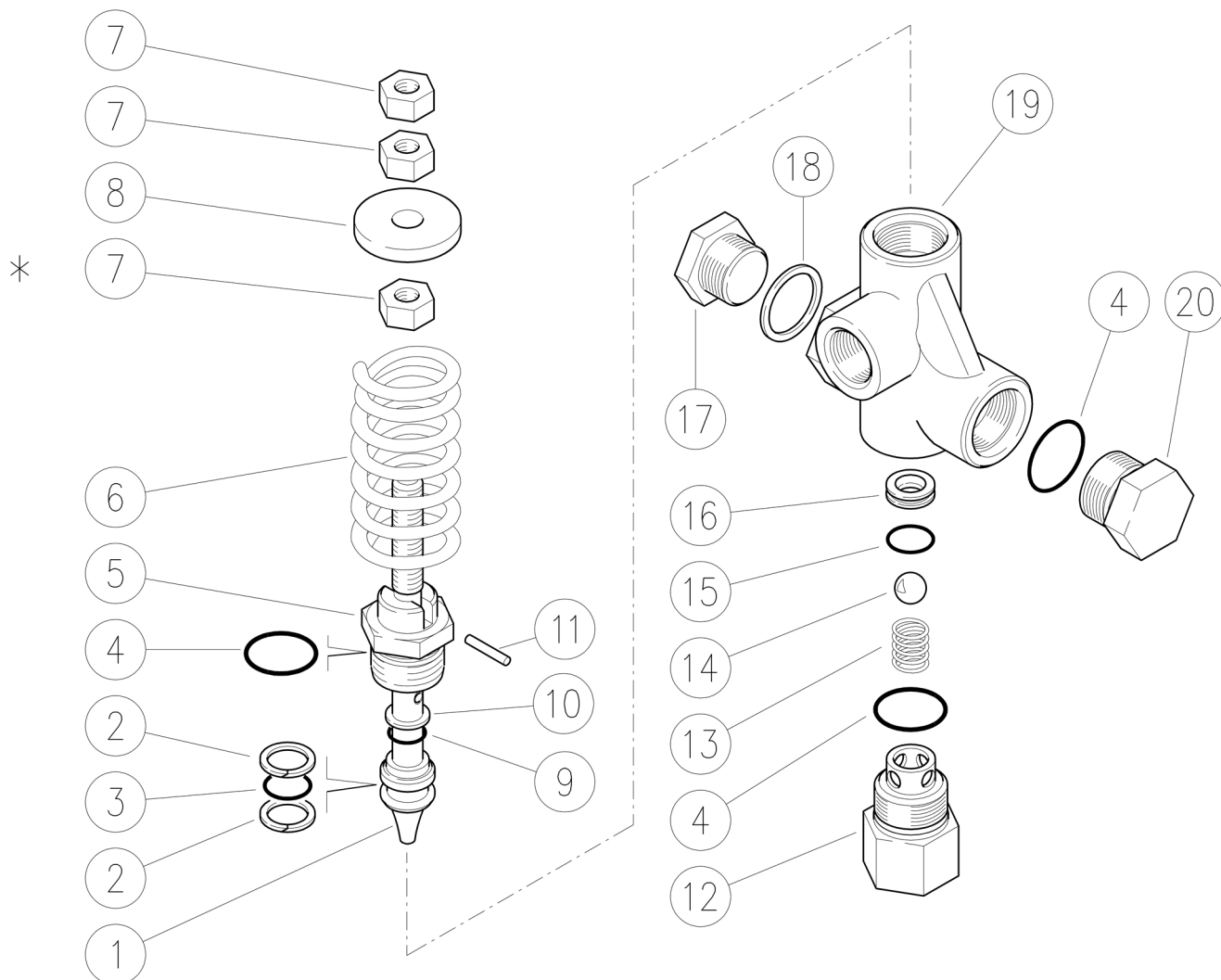


Pos.	P/N	Description	Q.ty	K1	K2	K3	K4	
1	60.0585.31	Seat holder, 3/8F Bsp brass	1					5
2	10.3064.01	O-ring, 1,78x14 mm Ni 85	1	•				10
3	60.0586.51	Seat, 4,2x10x5 mm Sst.	1	•				10
4	10.3052.02	O-ring, 1,78x6,75 mm Ni 90	1	•				10
5	60.0587.23	Piston, Sst. + ball, 7/32" Sst.	1					1
6	10.4020.00	Back-up ring, 8x12,6x1,2 mm	2	•				10
7	10.3170.08	O-ring, 2,62x7,6 mm Ni 85	1	•				10
8	60.0581.35	Valve housing -VS350, brass	1					3

Pos.	P/N	Description	Q.ty	K1	K2	K3	K4	
9	60.0523.31	Ring nut, M24x1,25 brass	1					10
10	14.7421.50	Ball, 1/4" Sst.	1					10
11	60.0583.31	Spring guide spacer, brass	1					5
12	60.0584.61	Spring, 4,2x18,4x56 mm z.pl.	1					5
13	60.0532.31	Valve regulating knob, M24 brass	1					10
14	60.0577.41	Knob x block. press al-red (1)	1					3
15	60.0599.31	4 mm pierced pin (1)	1					5

Kit	P/N	Description	
K1	60.0589.24	Spares kit -VS350, 5x1pcs.	1

(1) 60.0588.00



Pos.	P/N	Description	Q.ty	K1	K2	K3	K4
1	60.0432.60	Piston, M10 aisi316 Sst.	1				3
2	10.4014.00	Back-up ring, opn. 18x13,5x1,2 mm	2	•			10
3	10.3178.10	O-ring, 2,62x13,1 mm Vi 70	1	•			10
4	10.3072.10	O-ring, 1,78x20,35 mm Vi 70	3	•			10
5	60.0404.60	Piston holder, aisi316 Sst.	1				3
6	60.0412.61	Spring, 7,5x35x70 mm blue (1)	1				10
6	60.0411.61	Spring, 6,5x33x70 mm white (2)	1				3
7	11.4627.50	Hex. nut, M10, Sst.	3				10
8	60.0406.31	Spring holding washer, brass	1				10
9	10.3174.10	O-ring, 2,62x9,93 mm Vi 70	1	•			10
10	10.4015.00	Back-up ring, 10x14,5x1,2 mm	1	•			10

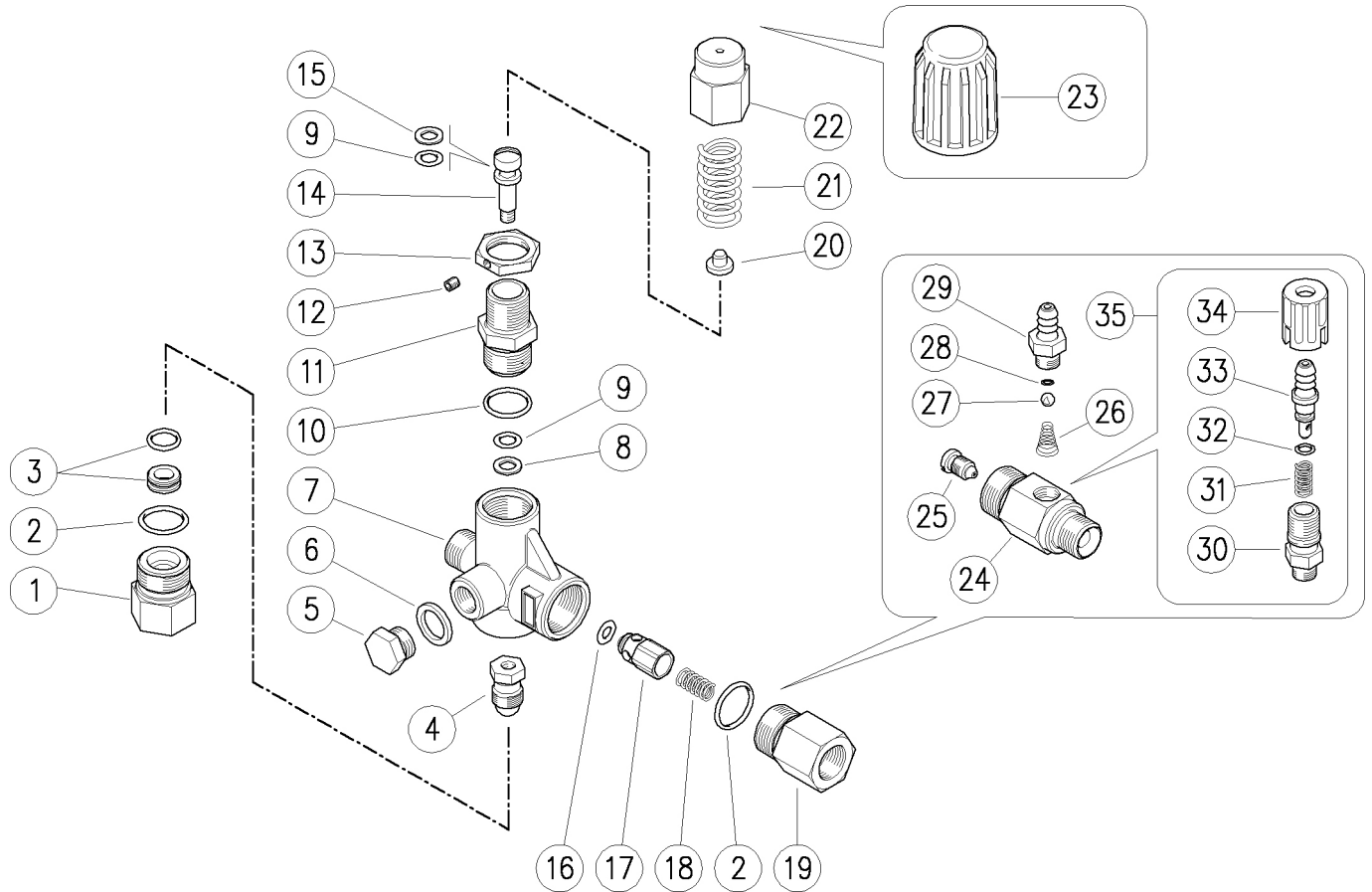
Pos.	P/N	Description	Q.ty	K1	K2	K3	K4
11	15.1032.00	Roll pin, 3x18 mm Sst.	1				10
12	60.0405.60	Suction coupl., 1/2F Bsp aisi316 Sst.	1				3
13	60.0410.60	Spring, 1,6x11,5x20 mm aisi316 Sst.	1				5
14	14.7461.01	Ball, 13/32" Sst. ai.316	1	•			10
15	10.3060.10	O-ring, 1,78x12,42 mm Vi 70	1	•			10
16	60.0408.60	Seat, 8,5x15,9x4,5 mm aisi316 Sst.	1	•			3
17	60.0413.51	Plug, sst. 1/2 Bsp, hex.27	1				3
18	14.4101.00	Sealing washer, 1/2 Bsp	1				10
19	60.0431.60	Housing -VB80, 1/2F Bsp aisi316 Sst.	1				1
20	60.0552.51	Plug, sst. M24x1,5, hex.27	1				5

Kit	P/N	Description	Q.ty
K1	60.0596.24	Spares kit -VB80, aisi316 Sst. 8x1pcs.	1

(1) 60.0590.60 (2) 60.0590.00

60.0700.00 VB7 unload. 3/8F Bsp, incl.port:3/8M
60.0745.21 VB7 unload. 3/8M Bsp+fix.inject. 2,1

60.0750.21 VB7 unload. 3/8M Bsp+adj.inject. 2,1



Pos.	P/N	Description	Q.ty	K1	K2	K3	K4	
1	60.0707.31	Seat holder, 3/8F Bsp brass	1					5
2	10.3070.02	O-ring, 1,78x18,77 mm Ni 85	2	•	•			10
3	60.0259.20	Seat, 8mm + O-ring, 1,78mm	1	•	•			10
4	60.1708.21	Rest, M5 Sst.+ball, 11/32" Sst.	1	•	•			5
5	28.0013.31	Plug, brass 1/4 Bsp **	1					25
6	14.3911.00	Washer, 13,5x19x1,5 mm Cu **	1					10
7	60.0717.35	Housing -VB7,3/8M c/sunk-1/4F Bsp brs.	1					2
8	10.4024.00	Back-up ring, 7x11,6x1,2 mm	1	•	•			25
9	10.3169.00	O-ring, 2,62x6,02 mm	2	•	•			10
10	10.3068.01	O-ring, 1,78x17,17 mm Ni 85	1	•	•			10
11	60.0708.31	Piston holder, brass	1					10
12	16.2100.00	Set screw, DIN914 M4x4 mm	1					10
13	60.1018.31	Ring nut, M18x1 brass	1					10
14	60.0704.99	Piston, M6 Sst.+or+p/back N	1					10
15	10.4023.00	Back-up ring, opn. 6,4x11x1,2 mm	1	•	•			10
16	10.3213.00	O-ring, 3x6 mm	1	•	•			10
17	60.0052.99	Shutter pin, brass+o-ring 3x6 mm	1					10
18	60.0053.51	Spring, 0,7x9x20 mm Sst.	1					10

** On request

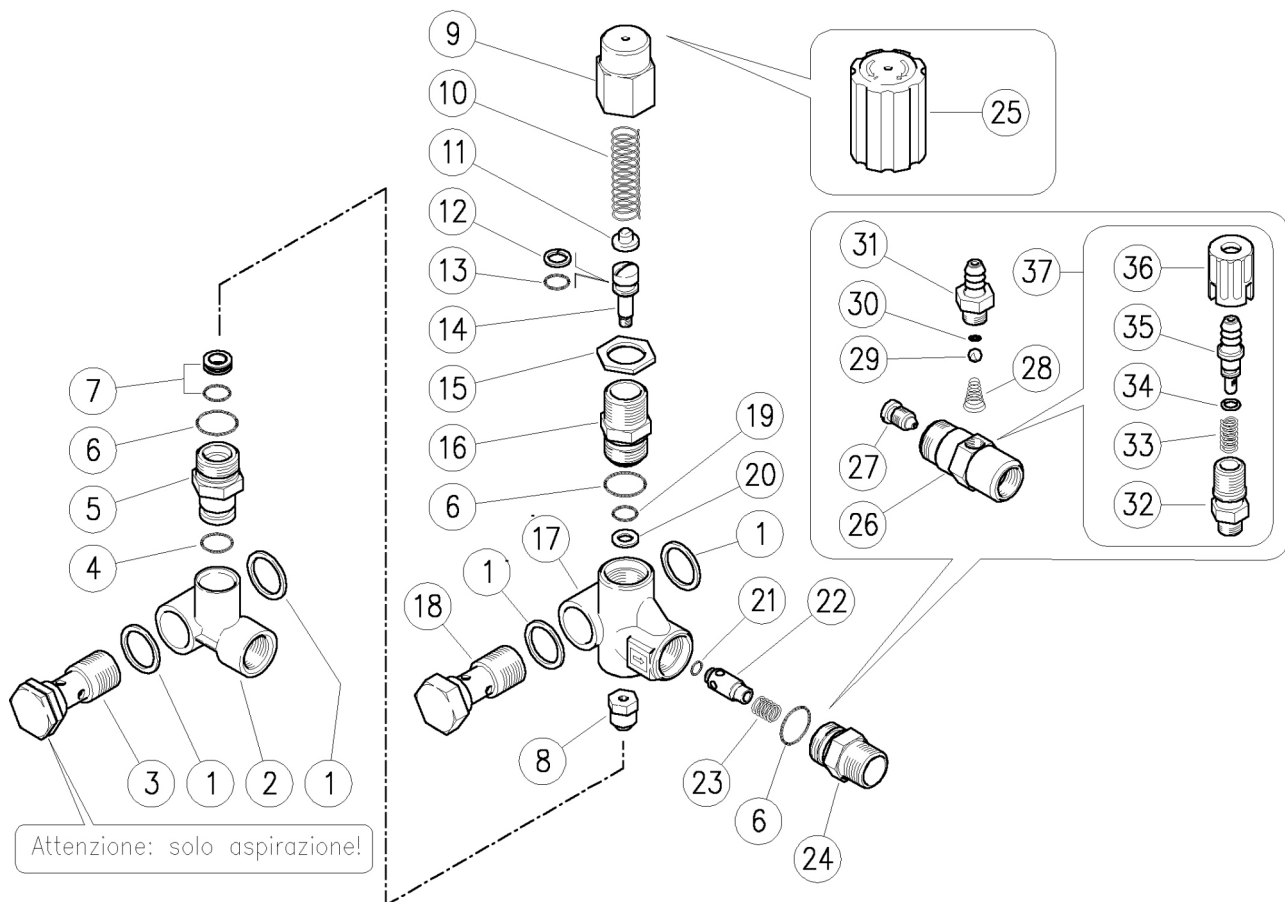
Kit	P/N	Description	
K1	60.0722.24	Spares kit -VB7, 9x5pcs.	1
K2	60.0719.24	VB7/3 valve, repair kit pcs.9x1	1

(1) 60.0750.21

Pos.	P/N	Description	Q.ty	K1	K2	K3	K4	
19	60.0058.31	Delivery coupl., 3/8F Bsp brass	1					5
20	60.0310.61	Spring guide, z.pl.	1					10
21	60.0313.61	Spring, 3x12,3x41 mm	1					10
22	60.0304.31	Valve regulating knob, brass	1					5
23	60.0315.84	Knob VB 7 / 130,plast, hexag.22 **	1					10
24	21.0261.31	Inject.hous.,M22x1,5M-3/8M Bsp brass (1)	1					3
25	21.0213.51	Nozzle, M8x1 - 2,1 mm Sst.	1					10
26	21.0160.51	Tapered spring, Sst. -inject.	1					10
27	14.7420.01	Ball, 7/32" Sst. Aisi 316	1					10
28	10.3049.00	O-ring, 1,78x5,28 mm Vi 70	1					10
29	21.0003.31	Hose barb, 8 - M12x1 mm brass	1					10
30	21.0173.31	Coupling, M12x1-1/4M Bsp brass	1					10
31	21.0158.51	Spring, 0,8x7x15 mm Sst.	1					10
32	10.3043.01	O-ring, 1,78x4,48 mm Vi 70	1					10
33	21.0155.99	Hose barb, d.8 mm brass+o-ring	1					3
34	21.0171.84	Inject.knob, 1/4F Bsp black	1					10
35	21.0100.00	Regulator+h.barb 8-M12x1mm brs. inject.	1					50

60.0800.00 VB135 unload. X:5 Y:53
60.0820.00 VB135 unload. X:0 Y:56

60.0825.00 VB135 unload.X:0-Y:63-3/8x2

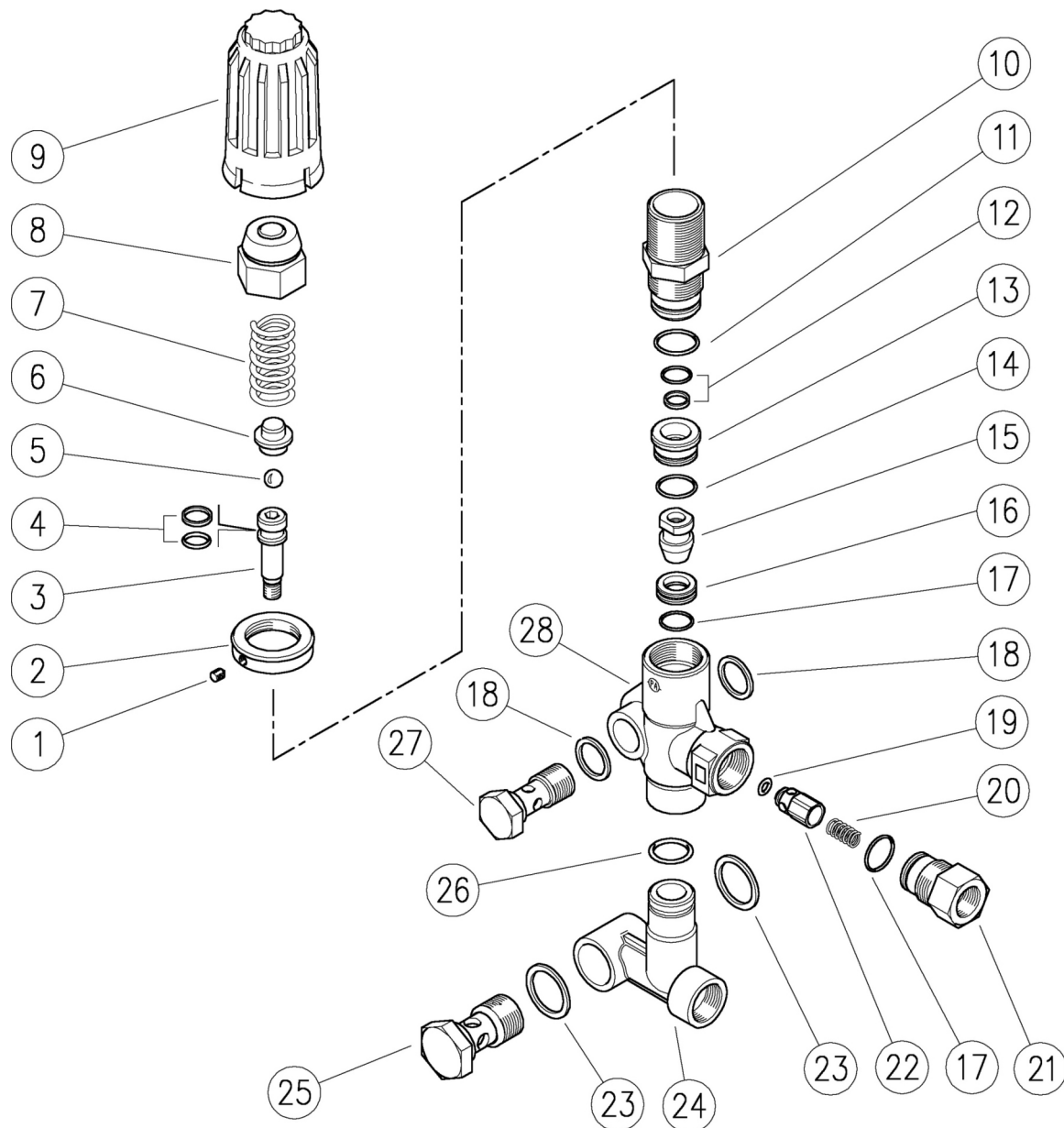


Pos.	P/N	Description	Q.ty	K1	K2	K3	K4	
1	14.4100.00	Sealing washer, 3/8 Bsp	4					10
1	14.4100.00	Sealing washer, 3/8 Bsp (1)	2					10
1	14.4101.00	Sealing washer, 1/2 Bsp (1)	2					10
2	60.0802.35	Valve manifold, 3/8F Bsp brass (1)	1					3
2	60.0821.35	Valve manifold, 3/8F Bsp brass	1					1
3	60.0803.31	Pierced suction screw, 3/8M Bsp brass	1					10
3	60.0804.31	Pierced crew, 1/2M Bsp 36,5mm brass (1)	1					3
4	10.3109.96	O-ring, 2,4x10,3 mm Vi 70	1					10
5	60.0396.31	Seat holder, 15x15 mm brass	1					5
5	60.0382.31	Seat holder, 15x19 mm brass (2)	1					3
6	10.3066.00	O-ring, 1,78x15,6 mm	3	•				10
7	60.0314.20	Seat, 7mm + O-ring, 1mm NBR85	1	•				10
8	60.0333.21	Rest, M5 brass + ball, 11/32" Sst.	1	•				5
9	60.0304.31	Valve regulating knob, brass	1					5
10	60.0313.61	Spring, 3x12,3x41 mm	1					10
11	60.0310.61	Spring guide, z.pl.	1					10
12	10.4008.00	Back-up ring, opn. 8x11x1,2 mm	1	•				10
13	10.3055.00	O-ring, 1,78x7,66 mm	1	•				10
14	60.0331.99	Piston, M5 Sst.+or+p/back	1	•				10
15	60.0317.31	Locknut, M18x1 brass	1					10
16	60.0303.31	Piston holder, brass	1					5
17	60.0801.35	Valve housing -VB135, brass	1					1

Pos.	P/N	Description	Q.ty	K1	K2	K3	K4	
18	60.0807.31	Pierced delivery screw, 3/8M Bsp brass	1					10
19	10.3051.01	O-ring, 1,78x6,07 mm	1	•				10
20	10.4006.00	Back-up ring, 8,6x6x1,2 mm	1	•				10
21	10.3125.00	O-ring, 2,5x4 mm	1	•				10
22	60.0308.99	Shutter pin, brass+or 2,5x4 mm	1					10
23	60.0305.31	Delivery coupl., 3/8M Bsp c/sunk, brass	1					10
24	60.0312.51	Spring, 0,6x8,4x11 mm Sst.	1					10
25	60.0315.84	Knob VB 7 / 130,plast, hexag.22	1					10
26	21.0211.31	Inject.housing, M18x1M-M22x1,5M brass	1					2
26	21.0231.31	Inject.housing, M18x1M-M22x1,5M brass	1					2
27	21.0212.51	Nozzle, M8x1 - 1,8 mm Sst.	1					10
28	21.0160.51	Tapered spring, Sst. -inject.	1					10
29	14.7420.01	Ball, 7/32" Sst. Aisi 316	1					10
30	10.3049.00	O-ring, 1,78x5,28 mm Vi 70	1					10
31	21.0003.31	Hose barb, 8 - M12x1 mm brass	1					10
32	21.0173.31	Coupling, M12x1-1/4M Bsp brass	1					10
33	21.0158.51	Spring, 0,8x7x15 mm Sst.	1					10
34	10.3043.01	O-ring, 1,78x4,48 mm Vi 70	1					10
35	21.0155.99	Hose barb, d.8 mm brass+o-ring	1					3
36	21.0171.84	Inject.knob, 1/4F Bsp black	1					10
37	21.0100.00	Regulator+h.barb 8-M12x1mm brs. inject.	1					50

Kit	P/N	Description	
K1	60.0398.24	Spares kit -VB130, 10x1pcs.	1

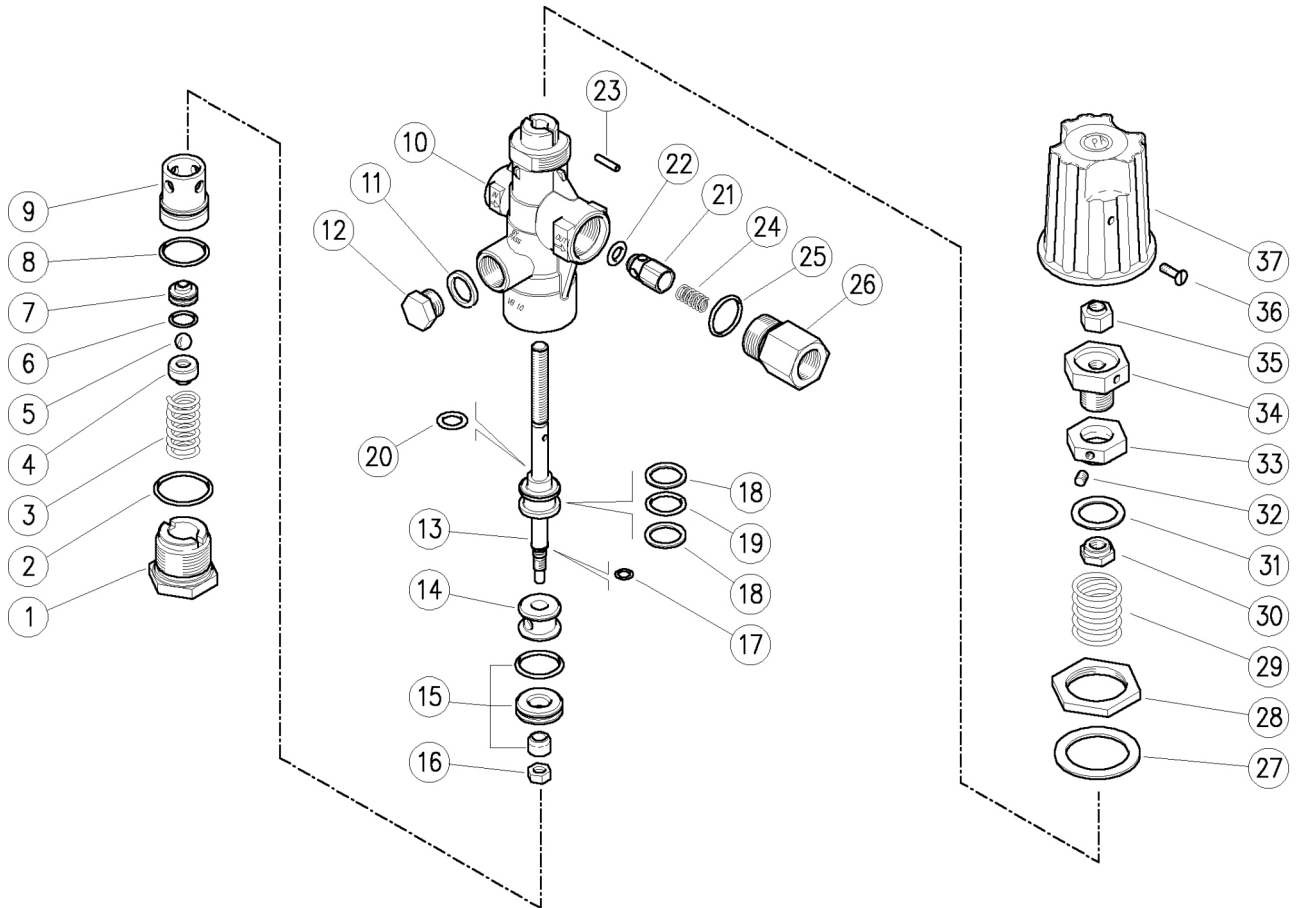
(1) 60.0800.00 (2) 60.0825.00



Pos.	P/N	Description	Q.ty	K1	K2	K3	K4	Pos.	P/N	Description	Q.ty	K1	K2	K3	K4	
1	16.2100.00	Set screw, DIN914 M4x4 mm	1					10	15	60.1808.51	Shutter pin, M8 Sst.	1	•			3
2	60.1728.31	Ring nut, M27x1 brass	1					3	16	60.1809.51	Seat, 11,6x19x6 mm Sst.	1	•			5
3	60.1806.51	Piston, M8 Sst.	1					3	17	10.3066.01	O-ring, 1,78x15,6 mm Ni 85	2	•			10
4	60.0978.24	Piston seal, 9x14x2,2 mm+O-ring	1	•				5	18	14.4100.00	Sealing washer, 3/8 Bsp	2				10
5	14.7443.10	Ball, 11/32" Sst.	1	•				10	19	10.3213.08	O-ring, 3x6 mm Ni 90	1	•			10
6	60.1813.31	Spring rest pin, brass	1					5	20	60.0053.51	Spring, 0,7x9x20 mm Sst.	1				10
7	60.0975.61	Spring, 4,2x19,7x42 mm z.pl.	1					10	21	60.1811.31	Shutter coupl., 3/8F Bsp brass	1				3
8	60.1727.31	Valve regulating insert, brass	1					5	22	60.9052.93	Shutter pin, Sst.+or 3x6 mm N90	1				10
9	60.1726.84	Valve regulating knob, PA black	1					10	23	14.4101.00	Sealing washer, 1/2 Bsp	2				10
10	60.0973.31	Piston holder, brass	1					3	24	60.0961.35	Valve manifold, 1/2F Bsp brass (x18/y63) (1)	1				3
11	10.3072.01	O-ring, 1,78x20,35 mm Ni 85	1	•				10	25	60.1008.31	Pierced crew, 1/2M Bsp 41,5mm brs.	1				10
12	60.0979.24	Stem seal, 10x14,9x2,2 mm+O-ring	1	•				5	26	10.3181.50	O-ring, 2,62x17,2 mm	1				25
13	60.1810.31	Spacer ring, 10,3x23,4x12,5 mm brass	1					5	27	60.1007.31	Pierced crew, 3/8M Bsp 41,5mm brs.	1				10
14	10.3068.01	O-ring, 1,78x17,17 mm Ni 85	1	•				10	28	60.0971.35	Valve housing -VB285, brass	1				3

Kit	P/N	Description	Q.ty
K1	60.1615.24	Spares kit -VB280-350/4 11x1pcs.	1

(1) 60.0960.00



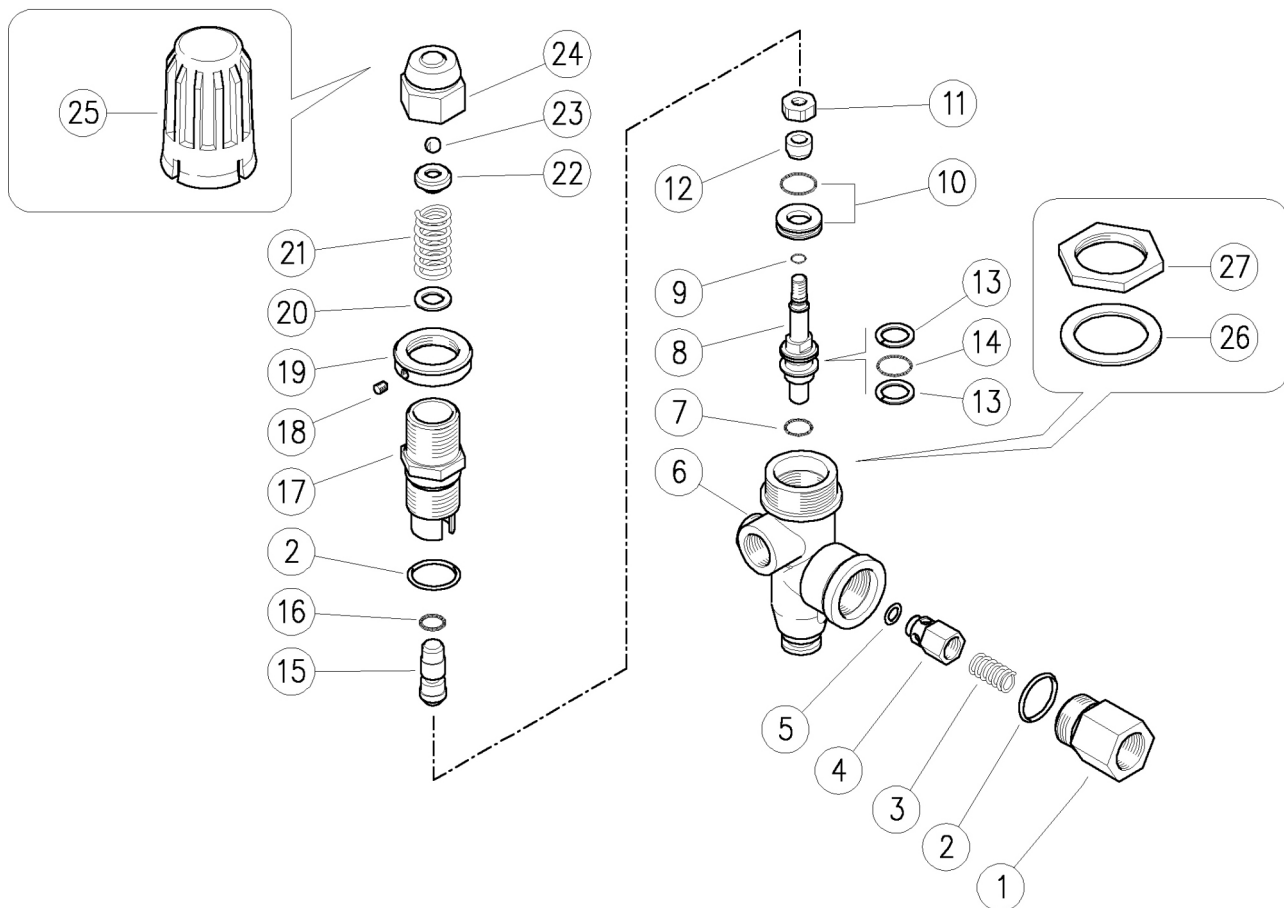
Pos.	P/N	Description	Q.ty	K1	K2	K3	K4		Pos.	P/N	Description	Q.ty	K1	K2	K3	K4	
1	60.1101.31	Lower plug, M27x1,5 brass	1					3	19	10.3180.00	O-ring, 2,62x15,08 mm	1	•				10
2	10.3074.01	O-ring, 1,78x25,12 mm Ni 85	1	•				10	20	10.3170.08	O-ring, 2,62x7,6 mm Ni 85	1	•				10
3	60.1102.51	Spring, 2,5x12,6x26 mm Sst.	1					10	21	60.0052.99	Shutter pin, brass+o-ring 3x6 mm	1					10
4	60.1112.31	Ball holding piston, brass	1					3	22	10.3213.00	O-ring, 3x6 mm	1	•				10
5	14.7421.50	Ball, 1/4" Sst.	1	•				10	23	15.1021.00	Roll pin, 3x14 mm Sst.	1					10
6	10.3059.01	O-ring, 1,78x11,11 mm Ni 85	1	•				10	24	60.0053.51	Spring, 0,7x9x20 mm Sst.	1					10
7	60.1103.51	Seat, 5x14x7 mm Sst.	1	•				10	25	10.3070.02	O-ring, 1,78x18,77 mm Ni 85	1	•				10
8	10.3072.01	O-ring, 1,78x20,35 mm Ni 85	1	•				10	26	60.0058.31	Delivery coupl., 3/8F Bsp brass (1)	1					5
9	60.1107.31	Spacer ring, 9x24x29 mm brass	1					3	26	60.0059.31	Delivery coupl., 3/8F Npt brass (2)	1					5
10	60.1108.35	Housing -VB10, 3/8 FFF Bsp brass (1)	1					3	27	14.3582.00	Washer, 30,5x42x2 mm	1					10
10	60.1120.35	Housing -VB10, 3/8 Npt FFF brass (2)	1					3	28	60.2254.31	Ring nut, M30 brass	1					10
11	14.4042.00	Washer, 16,7x22x1,5 mm alu. (1)	1					25	29	60.2203.61	Spring, 4,2x27,4x31 mm z.pl.	1					10
12	60.0028.31	Plug,brass 3/8 Bsp,hex.19 (1)	1					25	30	60.2207.31	Ring nut, M8 brass	1					5
12	60.0025.31	Grub screw, brass 3/8M Npt (2)	1					10	31	60.2208.84	Washer, 19x26x1,5 mm PA black	1					10
13	60.1106.23	Piston -VB10	1	•				3	32	16.2105.00	Set screw, DIN913 M5x6 mm	1					10
14	60.1105.31	Spacer ring, 8,5x20,8x14,5mm brs.	1					3	33	60.2252.31	Ring nut, M16x1 brass	1					5
15	60.1116.24	Seat, 10mm+O-ring, 1,78mm+shutt.	1	•				1	34	60.2253.31	Regulating pin, brass	1					10
16	11.4540.00	Hex. nut, M6, Sst.	1					10	35	11.4589.10	Hex. locknut, M8	1					10
17	10.3001.01	O-ring, 1x4 mm Ni 85	1	•				10	36	16.1838.00	Screw, DIN7985 M4x10 mm z.pl.	1					10
18	10.4056.00	Back-up ring, opn. 15,5x19,9x2 mm	2	•				10	37	60.2251.84	Valve regulating knob, PA black	1					5

Kit	P/N	Description	Q.ty
K1	60.1115.24	Spares kit -VB10, 15x1pcs.	1

(1) 60.1100.00 (2) 60.1100.50

60.1200.00 VB8 unload. 3/8F Bsp, port:3/8M

60.1240.00 VB8 unload. 3/8MF Bsp, byp.3/8F+knob

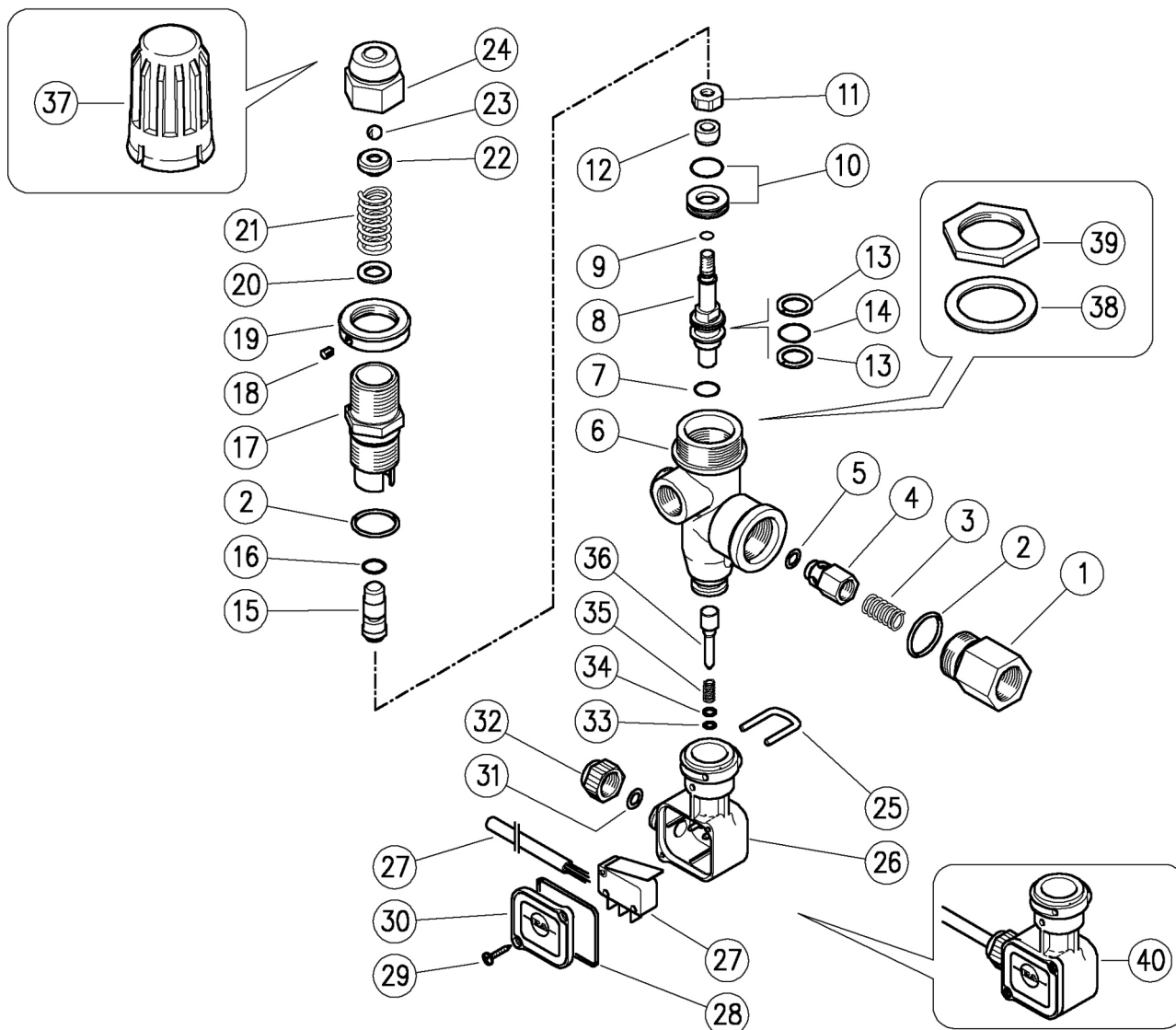


Pos.	P/N	Description	Q.ty	K1	K2	K3	K4	
1	60.0058.31	Delivery coupl., 3/8F Bsp brass	1					5
2	10.3070.02	O-ring, 1,78x18,77 mm Ni 85	2	•				10
3	60.0053.51	Spring, 0,7x9x20 mm Sst.	1					10
4	60.0052.99	Shutter pin, brass+o-ring 3x6 mm	1					10
5	10.3213.00	O-ring, 3x6 mm	1	•				10
6	60.1201.35	Housing -VB8, 3/8M Bsp c/sunk, brass	1					3
7	10.3170.08	O-ring, 2,62x7,6 mm Ni 85	1	•				10
8	60.1206.31	Piston, M6 brass	1					5
9	10.3001.01	O-ring, 1x4 mm Ni 85	1	•				10
10	60.2221.20	Seat+O-ring	1	•				3
11	60.1205.31	Special nut, M6 brass	1					10
12	60.2205.61	Sst shutter	1	•				1
13	10.4021.00	Back-up ring, opn. 11,5x15,9x1,2 mm	2	•				10
14	10.3175.00	O-ring, 2,62x10,77 mm	1	•				10

Pos.	P/N	Description	Q.ty	K1	K2	K3	K4	
15	60.1204.31	Spring rest pin, brass	1					5
16	10.3167.01	O-ring, 2,62x5,23 mm Ni 85	1	•				10
17	60.1203.31	Piston holder, brass	1					5
18	16.2100.00	Set screw, DIN914 M4x4 mm	1					10
19	60.1704.31	Ring nut, M22x1 brass (1)	1					5
19	60.1207.31	Ring nut, M22x1 brass (2)	1					1
20	14.3719.00	Washer, 9x15x1,5 mm Sst.	1					10
21	60.1208.61	Spring, 3,2x15,4x33 mm z.pl.	1					5
22	60.1210.31	Spring guiding ring	1					10
23	14.7421.50	Ball, 1/4" Sst.	1					10
24	60.1209.31	Valve regulating insert, brass	1					5
25	60.1202.84	Valve regulating knob, PA black (2)	1					5
26	14.3582.00	Washer, 30,5x42x2 mm (2)	1					10
27	60.2254.31	Ring nut, M30 brass (2)	1					10

Kit	P/N	Description	
K1	60.1212.24	Repair kit -VB8, 9x1pcs.	1

(1) 60.1200.00 (2) 60.1240.00



Pos.	P/N	Description	Q.ty	K1	K2	K3	K4	
1	60.0058.31	Delivery coupl., 3/8F Bsp brass	1					5
2	10.3070.02	O-ring, 1,78x18,77 mm Ni 85	2	•				10
3	60.0053.51	Spring, 0,7x9x20 mm Sst.	1					10
4	60.0052.99	Shutter pin, brass+o-ring 3x6 mm	1					10
5	10.3213.00	O-ring, 3x6 mm	1	•				10
6	60.1201.35	Housing -VB8, 3/8M Bsp c/sunk, brass	1				3	
7	10.3170.08	O-ring, 2,62x7,6 mm Ni 85	1	•				10
8	60.1206.31	Piston, M6 brass	1					5
9	10.3001.01	O-ring, 1x4 mm Ni 85	1	•				10
10	60.2221.20	Seat+O-ring	1	•			3	
11	60.1205.31	Special nut, M6 brass	1					10
12	60.2205.61	Sst shutter	1	•			1	
13	10.4021.00	Back-up ring, opn. 11,5x15,9x1,2 mm	2	•				10
14	10.3175.00	O-ring, 2,62x10,77 mm	1	•				10
15	60.1204.31	Spring rest pin, brass	1					5
16	10.3167.01	O-ring, 2,62x5,23 mm Ni 85	1	•				10
17	60.1203.31	Piston holder, brass	1					5
18	16.2100.00	Set screw, DIN914 M4x4 mm	1					10
19	60.1704.31	Ring nut, M22x1 brass	1					5
19	60.1207.31	Ring nut, M22x1 brass (1)	1					1
20	14.3719.00	Washer, 9x15x1,5 mm Sst.	1					10

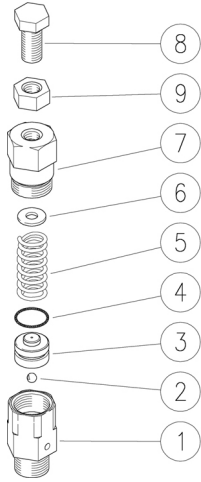
Pos.	P/N	Description	Q.ty	K1	K2	K3	K4	
21	60.1208.61	Spring, 3,2x15,4x33 mm z.pl.	1					5
22	60.1210.31	Spring guiding ring	1					10
23	14.7421.50	Ball, 1/4" Sst.	1					10
24	60.1209.31	Valve regulating insert, brass	1					5
25	29.0087.51	U-bolt, Sst.	1					10
26	29.0089.84	Housing, PR5 PA black	1					10
27	12.5006.00	Cable, 3x0,75 L.1000 mm+ Microswitch	1					5
28	10.3206.01	O-ring, 2,62x28,25 mm	1					10
29	16.3020.00	S/tapp. screw, 2,5x12mm chrom	2					10
30	29.0088.84	Lid, PR5 PA black	1					10
31	10.3169.00	O-ring, 2,62x6,02 mm	1					10
32	29.0082.84	Locknut for cable gland, PA black	1					10
33	10.3038.00	O-ring, 1,78x3,68 mm	1					10
34	14.3519.53	Washer, 4x8x0,8 mm Sst.	1					10
35	60.2303.51	Spring, 1,1x8x20 mm Sst.	1					10
36	60.1281.31	Micro-switch piston, brass	1					10
37	60.1202.84	Valve regulating knob, PA black (1)	1					5
38	14.3582.00	Washer, 30,5x42x2 mm (1)	1					10
39	60.2254.31	Ring nut, M30 brass (1)	1					10
40	29.0096.24	Casing kit -PR5, complete 40bar	1					5

Kit	P/N	Description	Q.ty
K1	60.1212.24	Repair kit -VB8, 9x1pcs.	1

(1) 60.1290.00

60.1550.00 VS140 safety valv. 3/8M Bsp

60.1560.00 VS240 safety valv. 3/8M Bsp



60.1570.00 VS140 safety valv. 3/8M Npt

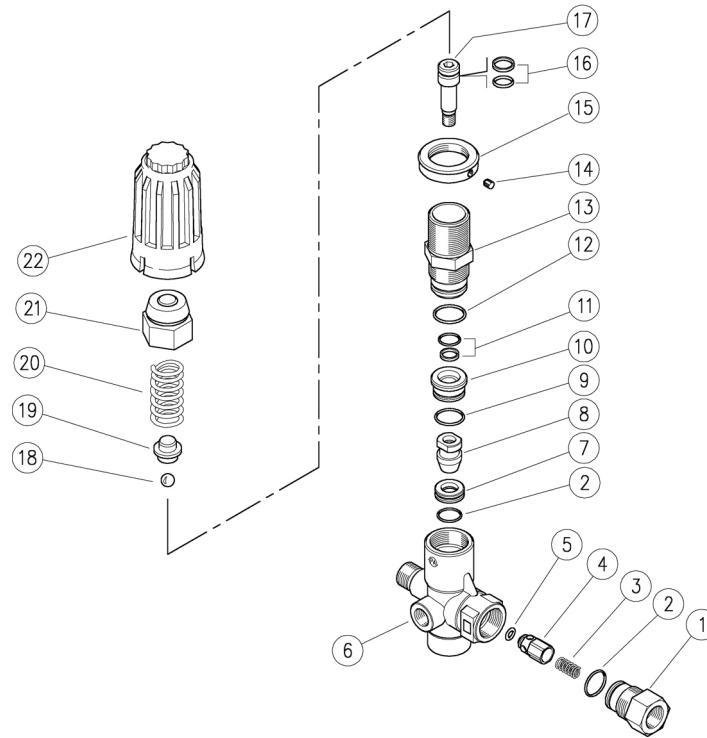
60.1580.00 VS240 safety valv. 3/8M Npt

Pos.	P/N	Description	Q.ty	K1	K2	K3	K4	
1	60.1551.31	Housing -VS140-240, 3/8M Bsp brass	1					3
1	60.1571.31	Housing -VS140-240, 3/8M Npt brass (1,2)	1					3
2	14.7411.00	Ball, 3/16" plast.	1					10
3	60.1553.31	Piston, 17mm brass	1					5
4	10.3064.01	O-ring, 1,78x14 mm Ni 85	1					10
5	60.1554.51	Spring, 2,3x14x34 mm Sst.	1					5
5	60.1561.51	Spring, 2,6x14x34 mm Sst. (3,2)	1					5
6	14.3570.00	Washer, 6,2x14x1,5 mm Sst.	1					10
7	60.1552.31	Spring holder, M10-M20x1,5 brass	1					5
8	60.1555.51	Valve regulating screw, M10x25 Sst.	1					5
9	11.4627.50	Hex. nut, M10, Sst.	1					10

(1) 60.1570.00 (2) 60.1580.00 (3) 60.1560.00

60.1600.00 VB280 unload. 3/8MF Bsp byp:1/2F+knob
 60.1700.00 VB350 unload. 3/8MF Bsp byp:1/2F+knob

60.1700.50 VB350 unload. 3/8MF Npt byp:1/2F+knob

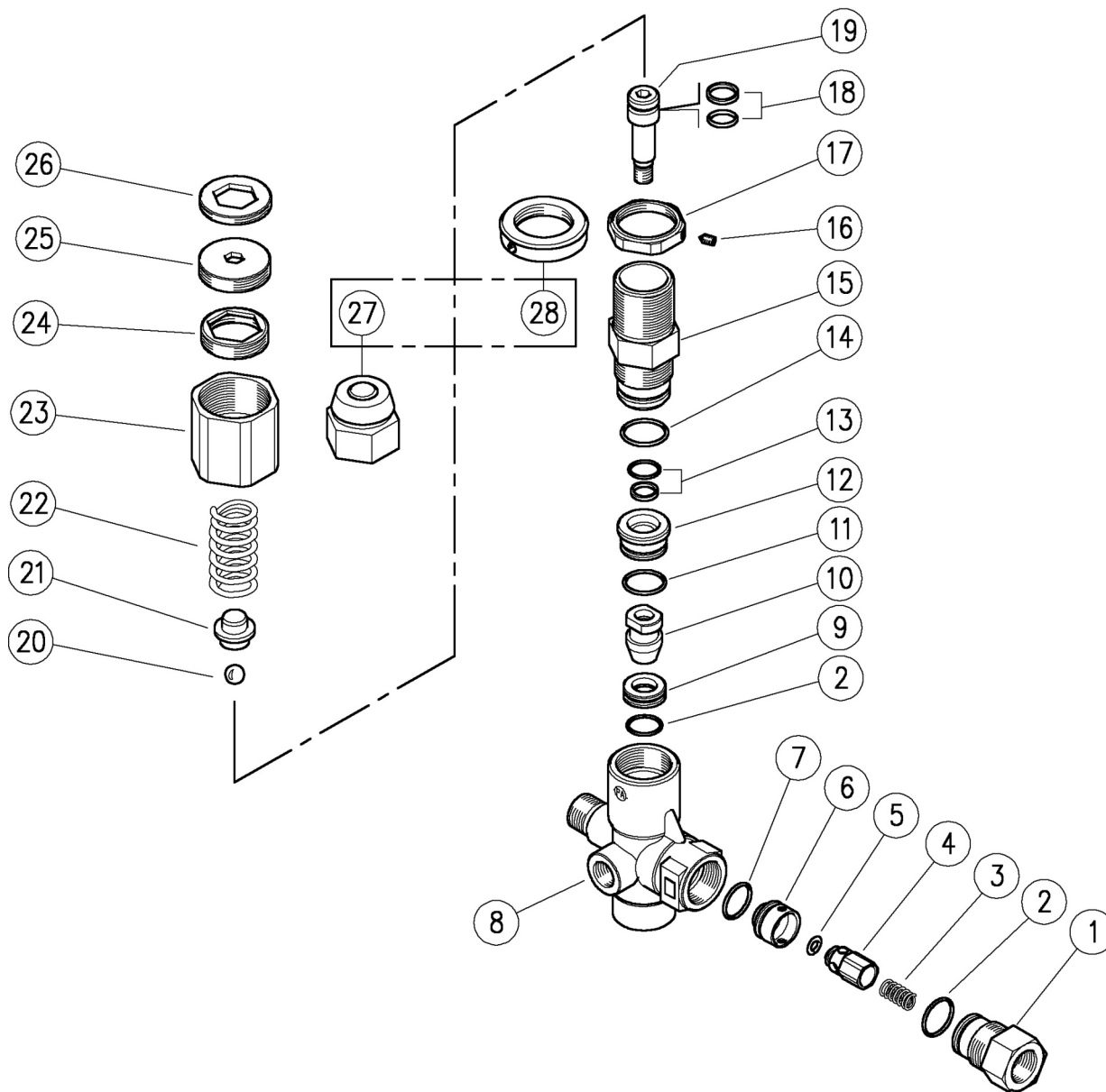


Pos.	P/N	Description	Q.ty	K1	K2	K3	K4	
1	60.1811.31	Shutter coupl., 3/8F Bsp brass	1					3
1	60.1817.31	3/8Npt F nipple (1)	1					3
2	10.3066.01	O-ring, 1,78x15,6 mm Ni 85	2	•				10
3	60.0053.51	Spring, 0,7x9x20 mm Sst.	1					10
4	60.9052.93	Shutter pin, Sst.+or 3x6 mm N90	1					10
5	10.3213.08	O-ring, 3x6 mm Ni 90	1	•				10
6	60.1725.35	Hous.-V280-350/4,3/8M c/snk+1/4F Bsp brs	1					3
6	60.1717.35	Hous.-V280-350/4,3/8M Npt +1/4FNpt brs (1)	1					3
7	60.1809.51	Seat, 11,6x19x6 mm Sst.	1	•				5
8	60.1808.51	Shutter pin, M8 Sst.	1	•				3
9	10.3068.01	O-ring, 1,78x17,17 mm Ni 85	1	•				10
10	60.1810.31	Spacer ring, 10,3x23,4x12,5 mm brass	1					5
11	60.0979.24	Stem seal, 10x14,9x2,2 mm+O-ring	1	•				5
12	10.3072.01	O-ring, 1,78x20,35 mm Ni 85	1	•				10

Pos.	P/N	Description	Q.ty	K1	K2	K3	K4	
13	60.0973.31	Piston holder, brass (2)	1					3
13	60.1805.31	Piston holder, brass (3,1)	1					3
14	16.2100.00	Set screw, DIN914 M4x4 mm	1					10
15	60.1728.31	Ring nut, M27x1 brass	1					3
16	60.0978.24	Piston seal, 9x14x2,2 mm+O-ring	1	•				5
17	60.1806.51	Piston, M8 Sst.	1					3
18	14.7443.10	Ball, 11/32" Sst.	1	•				10
19	60.1813.31	Spring rest pin, brass	1					5
20	60.0975.61	Spring, 4,2x19,7x42 mm z.pl. (2)	1					10
20	60.1812.61	Spring, 4,5x15,8x47mm (3,1)	1					3
21	60.1727.31	Valve regulating insert, brass	1					5
22	60.1726.84	Valve regulating knob, PA black (2)	1					10
22	60.1729.84	Valve regulating knob, PA red (3,1)	1					10

Kit	P/N	Description	
K1	60.1615.24	Spares kit -VB280-350/4 11x1pcs.	1

(1) 60.1700.50 (2) 60.1600.00 (3) 60.1700.00



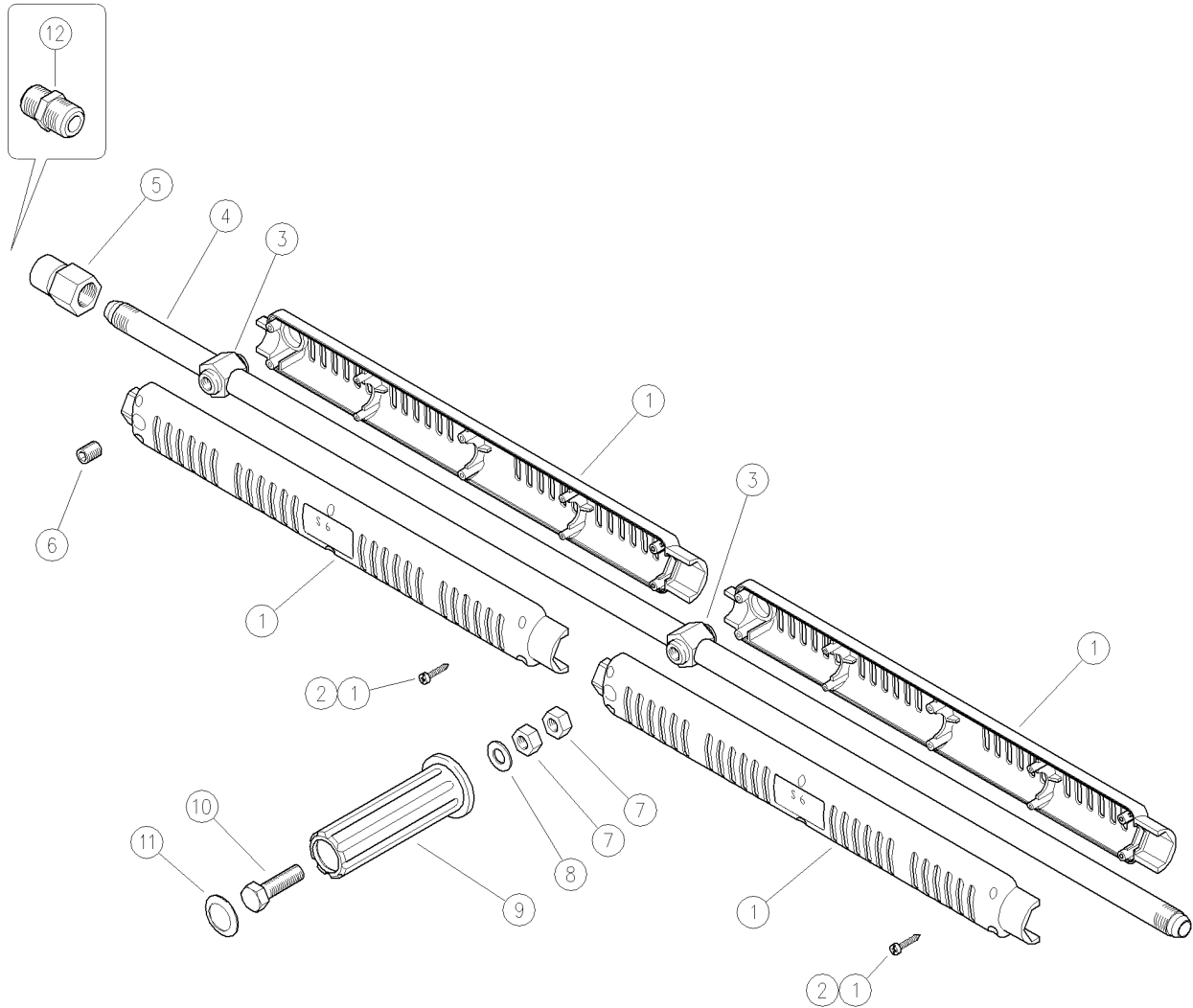
Pos.	P/N	Description	Q.ty	K1	K2	K3	K4	
1	60.1811.31	Shutter coupl., 3/8F Bsp brass	1					3
2	10.3066.01	O-ring, 1,78x15,6 mm Ni 85	2	•				10
3	60.0053.51	Spring, 0,7x9x20 mm Sst.	1					10
4	60.9052.93	Shutter pin, Sst.+or 3x6 mm N90	1					10
5	10.3213.08	O-ring, 3x6 mm Ni 90	1	•				10
6	60.1807.51	Shutter seat, Sst.	1					3
7	10.3064.01	O-ring, 1,78x14 mm Ni 85	1	•				10
8	60.1801.35	Hous. -VB350, 3/8M c/sunk+1/4F Bsp brs.	1					3
9	60.1809.51	Seat, 11,6x19x6 mm Sst.	1	•				5
10	60.1808.51	Shutter pin, M8 Sst.	1	•				3
11	10.3068.01	O-ring, 1,78x17,17 mm Ni 85	1	•				10
12	60.1810.31	Spacer ring, 10,3x23,4x12,5 mm brass	1					5
13	60.0979.24	Stem seal, 10x14,9x2,2 mm+O-ring	1	•				5
14	10.3072.01	O-ring, 1,78x20,35 mm Ni 85	1	•				10

Pos.	P/N	Description	Q.ty	K1	K2	K3	K4	
15	60.1805.31	Piston holder, brass	1					3
16	16.2100.00	Set screw, DIN914 M4x4 mm	1					10
17	60.1814.31	Ring nut, M27x1 brass (1)	1					5
18	60.0978.24	Piston seal, 9x14x2,2 mm+O-ring	1	•				5
19	60.1806.51	Piston, M8 Sst.	1					3
20	14.7443.10	Ball, 11/32" Sst.	1	•				10
21	60.1813.31	Spring rest pin, brass	1					5
22	60.1812.61	Spring, 4,5x15,8x47mm	1					3
23	60.1804.31	Valve regulating ring nut, brass (1)	1					5
24	60.1803.31	Ring nut, M27x1 brass (1)	1					3
25	60.1815.31	Lower adjustment ring nut, M32x1 brass (1)	1					5
26	60.1816.31	Upper adjustment ring nut, M32x1 brass (1)	1					5
27	60.1727.31	Valve regulating insert, brass (2)	1					5
28	60.1728.31	Ring nut, M27x1 brass (2)	1					3

Kit	P/N	Description	Q.ty
K1	60.1818.24	Spares kit -VB350 12x1pcs.	1

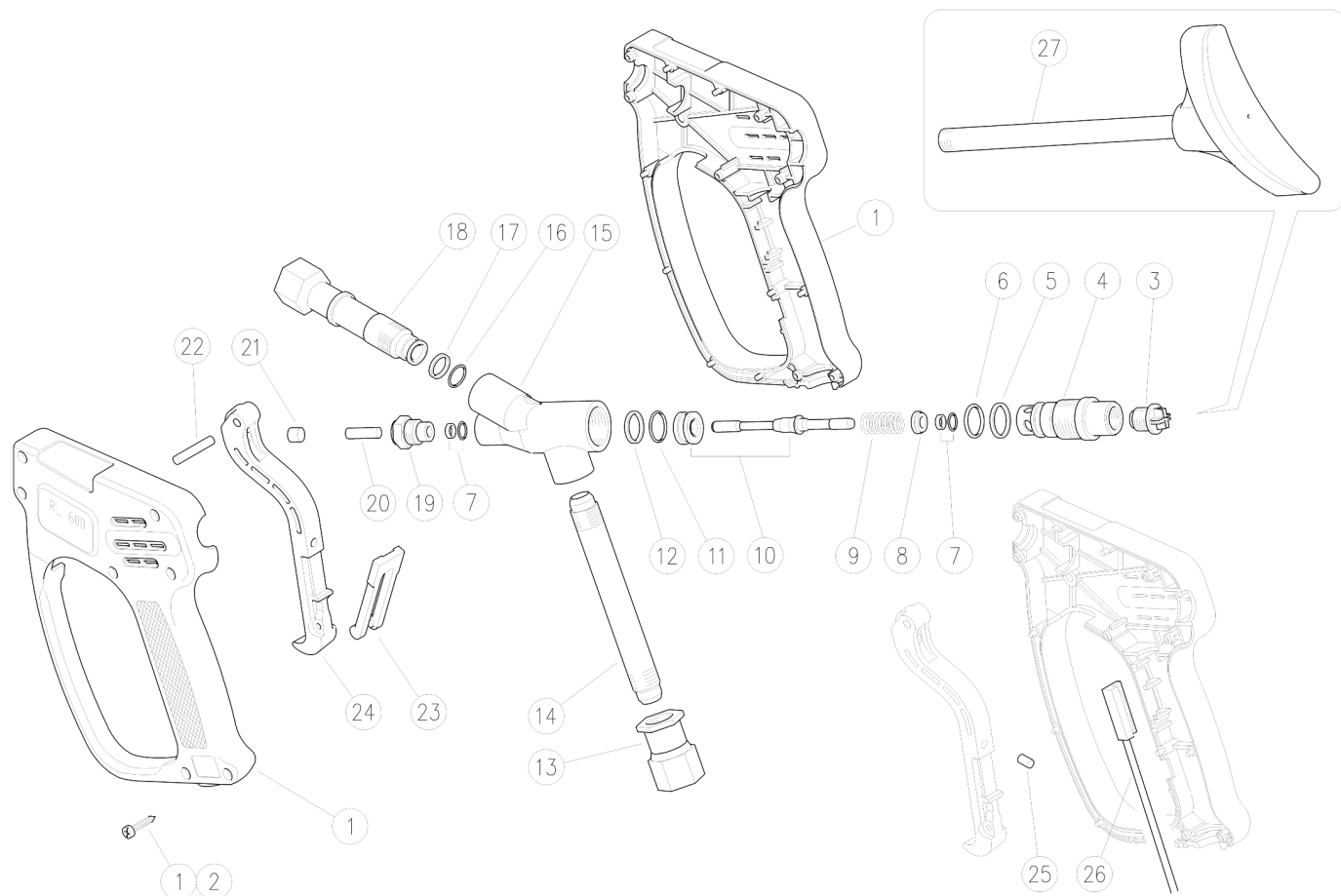
(1) 60.1800.00 (2) 60.1750.00

40.0160.12 S6 lan.-RL600 sst 1200mm+grip



Pos.	P/N	Description	Q.ty	K1	K2	K3	K4		Pos.	P/N	Description	Q.ty	K1	K2	K3	K4	
1	40.0161.24	Casing-kit -S6 +screws, Sst.	2					1	7	11.4627.00	Hex. nut, M10	2					10
2	16.3075.51	S/tapping screw, DIN7981 3,5x18 mm Sst.	12					10	8	14.3799.00	Washer, 10x21x2 mm	1					10
3	30.5885.31	Tube fastener, brass	2					10	9	41.0409.84	Knob, 32x115 mm PP black	1					5
4	30.5886.56	Tube, 3/8Bsp MM 1200mm Sst.	1					3	10	16.2030.00	Screw, DIN933 M10x30 mm z.pl.	1					10
5	30.5883.51	Nozzle holder, 3/8F Bsp-1/4F Npt Sst.	1					5	11	41.0411.84	Plug, Knob PP black	1					5
6	16.2230.00	Set screw, DIN916 M10x8 mm z.pl.	1					10	12	13.5009.51	Sst Nipple,. 1/4MM Bsp-Npt **	1					5

** On request



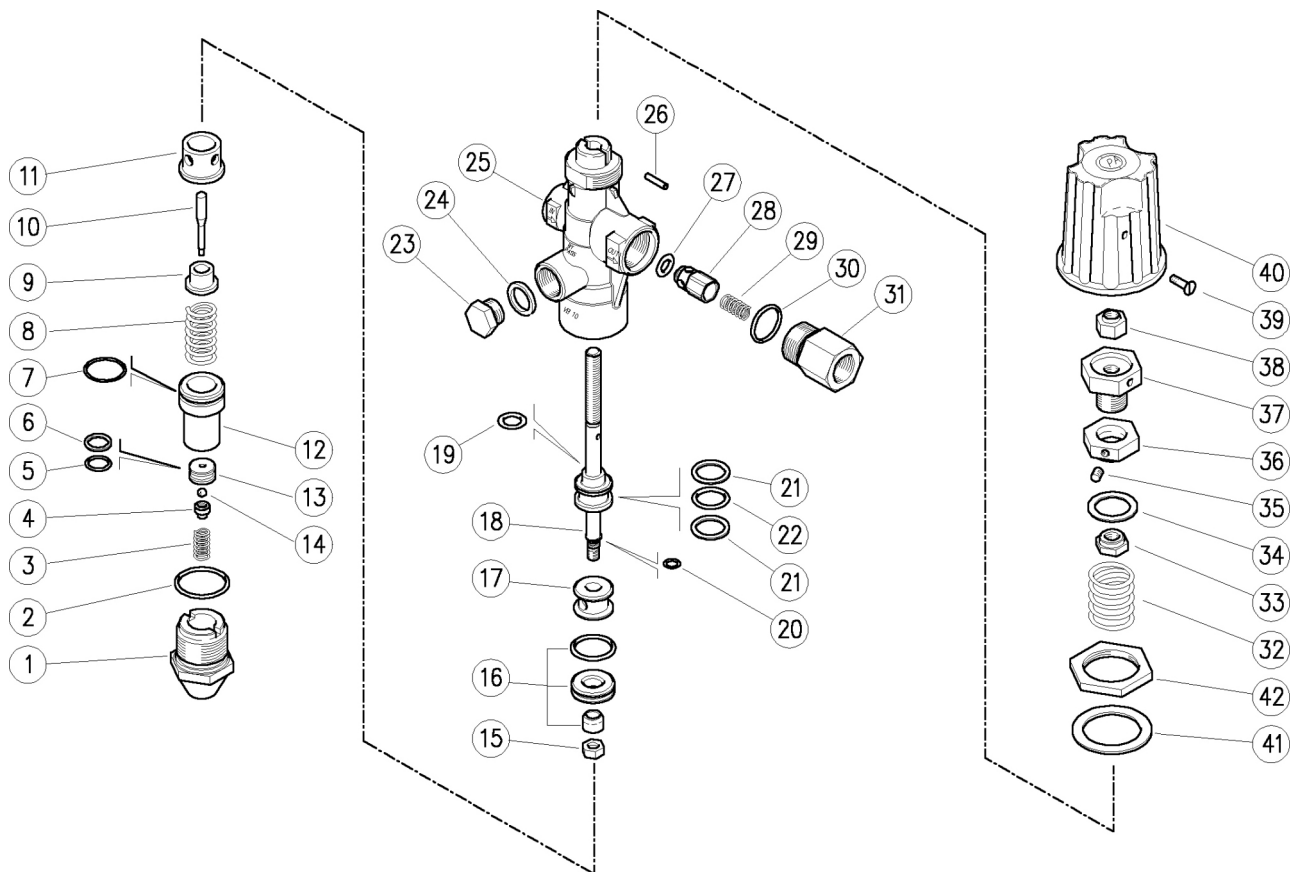
Pos.	P/N	Description	Q.ty	K1	K2	K3	K4		Pos.	P/N	Description	Q.ty	K1	K2	K3	K4	
1	30.5817.24	Casing-kit -RL600 + screws, Sst.	1					1	15	30.5805.55	Housing -RL600, Sst.	1					3
2	16.3075.51	S/tapping screw, DIN7981 3,5x18 mm Sst.	7					10	16	10.3059.01	O-ring, 1,78x11,11 mm Ni 85	1	•				10
3	30.5815.84	Plug, 1/4M Bsp DIN259 Plast. black	1					10	17	10.4036.00	Back-up ring, 11,7x14,5x2 mm	1	•				10
4	30.5809.51	Spring coupl., 1/4F Bsp-M22x1M Sst.	1					5	18	30.5803.51	Front body, 3/8F Bsp Sst.	1					3
5	10.4037.00	Back-up ring, 16,7x19,5x2 mm	1	•				10	19	30.5808.51	Front Plug, M14x1 Sst.	1					5
6	10.3066.01	O-ring, 1,78x15,6 mm Ni 85	1	•				10	20	30.5813.31	Parallel pin, 6x20 mm brass	1					3
7	10.2006.00	Stem seal, 6x11x2,2 mm +O-ring	2	•				10	21	30.0673.51	Stop pin, 8x6,4 mm Sst.	1					10
8	30.5812.51	Spacer ring, Sst.	1	•				5	22	30.2517.31	Parallel pin, 5x27,5 mm brass	1					10
9	30.5810.51	Spring, 2,2x12x27 mm Sst.	1	•				5	23	30.1510.84	Safety latch, PA red	1					10
10	30.5816.24	Piston+Seat -RL600, 2x1pcs.	1	•				1	24	30.5804.84	Trigger -RL600, PA black	1					5
11	10.3064.01	O-ring, 1,78x14 mm Ni 85	1	•				10	25	30.5821.51	Magnet, 5x8 mm (1)	1					5
12	10.4038.00	Back-up ring, 15,2x18x2 mm	1	•				10	26	12.5003.00	Probe with cable 2000 mm (1)	1					5
13	30.5807.51	Coupl., M16x1,5F-G3/8F Sst.	1					3	27	30.5060.00	Shoulder rest -RL600 1/4M Bsp 300mm **	1					1
14	30.5806.56	Tube, M16x1,5 FF 135mm Sst.	1					5									

** On request

Kit	P/N	Description	Q.ty
K1	30.5819.24	Spares kit -RL600, 10(11)x1pcs.	1

(1) 30.5820.00

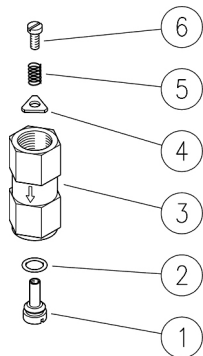
60.1150.00 VB10 unload. 3/8F Bsp +sst.pist.



Pos.	P/N	Description	Q.ty	K1	K2	K3	K4	
1	60.1156.31	Lower plug, M27x1,5 brass	1					3
2	10.3074.01	O-ring, 1,78x25,12 mm Ni 85	1	•				10
3	60.8006.51	Spring, 1x7,2x14 mm Sst.	1					3
4	60.8014.51	Ball holding piston, Sst.	1					5
5	10.3058.02	O-ring, 1,78x10,82 mm Ni 85	1	•				10
6	10.4090.00	Back-up ring, 11,2x14x1,5 mm	1	•				10
7	10.3072.01	O-ring, 1,78x20,35 mm Ni 85	1	•				10
8	60.1102.51	Spring, 2,5x12,6x26 mm Sst.	1					10
9	60.1154.31	Spacer ring, 5,2x15x8,5 mm brass	1					5
10	60.1157.51	Pin, Sst.	1					5
11	60.1155.31	Spacer ring, 11,5x24x19 mm brass	1					5
12	60.1153.31	Seat holder, 24 mm brass	1					5
13	60.8015.51	Seat, 3x14x7,5 mm Sst.	1	•				5
14	14.7418.71	Ball, 5/32"	1	•				5
15	11.4540.00	Hex. nut, M6, Sst.	1					10
16	60.1116.24	Seat, 10mm+O-ring, 1,78mm+shutt.	1	•				1
17	60.1105.31	Spacer ring, 8,5x20,8x14,5mm brs.	1					3
18	60.1151.23	Piston -VB10/2	1					3
19	10.3170.08	O-ring, 2,62x7,6 mm Ni 85	1	•				10
20	10.3001.01	O-ring, 1x4 mm Ni 85	1	•				10
21	10.4056.00	Back-up ring, opn. 15,5x19,9x2 mm	2	•				10
22	10.3180.00	O-ring, 2,62x15,08 mm	1	•				10
23	60.0028.31	Plug,brass 3/8 Bsp,hex.19	1					25
24	14.4042.00	Washer, 16,7x22x1,5 mm alu.	1					25
25	60.1108.35	Housing -VB10, 3/8 FFF Bsp brass	1					3
26	15.1021.00	Roll pin, 3x14 mm Sst.	1					10
27	10.3213.00	O-ring, 3x6 mm	1	•				10
28	60.0052.99	Shutter pin, brass+o-ring 3x6 mm	1					10
29	60.0053.51	Spring, 0,7x9x20 mm Sst.	1					10
30	10.3070.02	O-ring, 1,78x18,77 mm Ni 85	1	•				10
31	60.0058.31	Delivery coupl., 3/8F Bsp brass	1					5
32	60.2203.61	Spring, 4,2x27,4x31 mm z.pl.	1					10
33	60.2207.31	Ring nut, M8 brass	1					5
34	60.2208.84	Washer, 19x26x1,5 mm PA black	1					10
35	16.2105.00	Set screw, DIN913 M5x6 mm	1					10
36	60.2252.31	Ring nut, M16x1 brass	1					5
37	60.2253.31	Regulating pin, brass	1					10
38	11.4589.10	Hex. locknut, M8	1					10
39	16.1838.00	Screw, DIN7985 M4x10 mm z.pl.	1					10
40	60.2251.84	Valve regulating knob, PA black	1					5
41	14.3582.00	Washer, 30,5x42x2 mm	1					10
42	60.2254.31	Ring nut, M30 brass	1					10

Kit	P/N	Description	Q.ty
K1	60.1158.24	Spare kit -VB10/2, 13x1pcs.	1

60.2020.00 VNR-I check valv. sst. 3/8FF Bsp

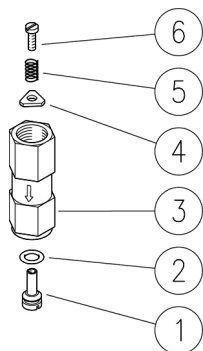


60.2050.00 VNR-O check valv. brass 3/8FF Bsp

Pos.	P/N	Description	Q.ty	K1	K2	K3	K4	
1	60.2023.51	Shutter pin, M4 Sst.	1					10
2	10.3055.14	O-ring 1,78x7,66 mm Vi85	1					10
3	60.2024.51	Housing -VNR-I, 3/8Bsp FF Sst. (1)	1					5
3	60.2024.31	Housing -VNR-O, 3/8Bsp FF brass (2)	1					5
4	60.2021.51	Triangular washer, 5x14x1,5 mm Sst.	1					10
5	60.2022.51	Spring, 0,5x6,3x12,5 mm Sst.	1					10
6	16.1831.00	Screw, ISO7380 M4x8 mm Sst.	1					10

(1) 60.2020.00 (2) 60.2050.00

60.2030.00 VNR-I check valv. sst. 1/4FF Bsp



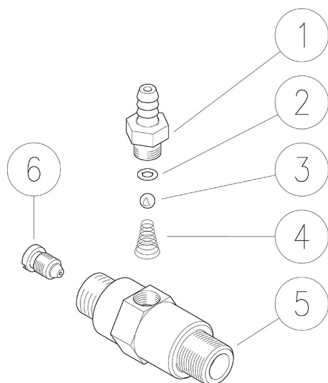
60.2040.00 VNR-O check valv. brass 1/4FF Bsp

Pos.	P/N	Description	Q.ty	K1	K2	K3	K4	
1	60.2034.51	Shutter pin, M3 Sst.	1					5
2	10.3049.14	O-Ring, 1,78x5,28 mm Vi 85	1					10
3	60.2031.51	Housing -VNR-I, 1/4Bsp FF Sst. (1)	1					5
3	60.2031.31	Housing -VNR-O, 1/4Bsp FF brass (2)	1					5
4	60.2033.51	Triangular washer, 4x11x1,5 mm Sst.	1					5
5	60.2032.51	Spring, 0,4x5,1x10,5 mm Sst.	1					5
6	16.1825.00	Screw, DIN7985 M3X6 mm Sst.	1					10

(1) 60.2030.00 (2) 60.2040.00

21.0012.18 Inject.,fix.,3/8MM Npt 1,8mm nzl

21.0012.21 Inject.,fix.,3/8MM Npt 2,1mm nzl



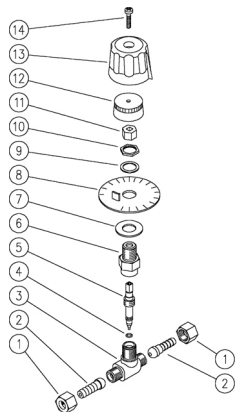
21.0012.23 Inject.,fix.,3/8MM Npt 2,3mm nzl

Pos.	P/N	Description	Q.ty	K1	K2	K3	K4	
1	21.0003.31	Hose barb, 8 - M12x1 mm brass	1					10
2	10.3049.00	O-ring, 1,78x5,28 mm Vi 70	1	•				10
3	14.7420.01	Ball, 7/32" Sst. Aisi 316	1	•				10
4	21.0160.51	Tapered spring, Sst. -inject.	1	•				10
5	21.0169.31	Inject.housing, 3/8MM Npt brass	1					5
6	21.0007.51	Nozzle, M8x1 - 1,5 mm Sst.	1					10
6	21.0002.51	Nozzle, M8x1 - 1,8 mm Sst. (1)	1					10
6	21.0004.51	Nozzle, M8x1 - 2,1 mm Sst. (2)	1					10
6	21.0157.51	Nozzle, M8x1 - 2,3 mm Sst. (3)	1					10
6	21.0009.51	Nozzle, M8x1 - 2,5 mm Sst.	1					10

Kit	P/N	Description	
K1	21.0010.24	Spares kit -fix.inject. 3x10 pcs.	1

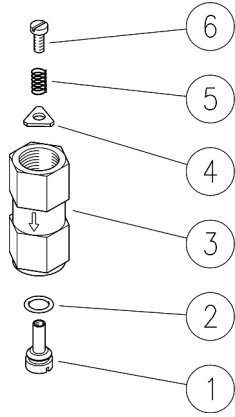
(1) 21.0012.18 (2) 21.0012.21 (3) 21.0012.23

29.0980.00 RD5 chem.val. 1/4MM Bsp,7mm.h.barb



Pos.	P/N	Description	Q.ty	K1	K2	K3	K4	
1	29.0948.31	Ring nut, 1/4Bsp F brass	2					10
2	29.0947.31	8 mm hose barb,	2					10
3	29.0985.35	Casing -RD5, brass	1					5
4	10.3043.01	O-ring, 1,78x4,48 mm Vi 70	1					10
5	29.0981.51	Shutter pin, -RD5, Sst.	1					5
6	29.0982.31	Coupling, M14x1M-1/4Bsp F brass	1					10
7	14.3918.00	Washer, 14x28x2,5 mm	1					10
8	29.0983.84	Graduated disc -RD5, PA blue	1					5
9	14.3912.00	Washer, 14x20x1,5 mm alu.	1					10
10	29.0949.31	Locknut, M14x1 brass	1					10
11	29.0924.31	Groove nut, brass	1					10
12	29.0984.84	Groove inset, PA blue	1					5
13	29.0986.84	Knob, -RD5, PA blue	1					5
14	16.1840.00	Screw, DIN7985 M4x14 mm z.pl.	1					10

60.2065.00 VNR-O check valv. brass 1/2FF Bsp
60.2070.00 VNR-I check valv. sst. 1/2FF Bsp

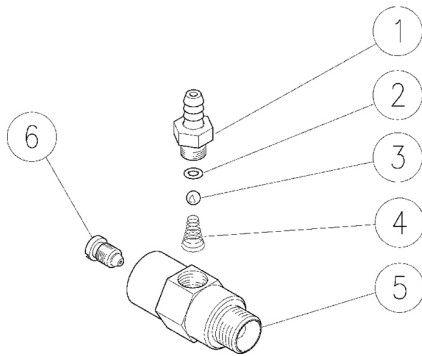


60.2070.50 VNR-I check valv. sst. 1/2FF Npt

Pos.	P/N	Description	Q.ty	K1	K2	K3	K4	
1	60.2062.51	Shutter pin, M6 Sst.	1					5
2	10.3175.14	O-ring 2,62x9,93mm Vi 85	1					10
3	60.2061.51	Housing -VNR-I, 1/2Bsp FF Sst. (1)	1					5
3	60.2071.51	Sst 1/2Npt FF body (2)	1					5
3	60.2061.31	Housing -VNR-O, 1/2Bsp FF brass (3)	1					5
4	60.2063.51	Triangular washer, 8x18x1,5 mm Sst.	1					10
5	60.2064.51	Spring, 0,7x9,6x14 mm Sst.	1					10
6	16.1832.00	Screw, ISO7380 M6x8 mm Sst.	1					10

(1) 60.2070.00 (2) 60.2070.50 (3) 60.2065.00

21.0015.12 Inject.,fix.,3/8FM Bsp 1,2mm nzl
21.0015.18 Inject.,fix.,3/8FM Bsp 1,8mm nzl



21.0015.21 Inject.,fix.,3/8FM Bsp 2,1mm nzl
21.0015.23 Inject.,fix.,3/8FM Bsp 2,3mm nzl

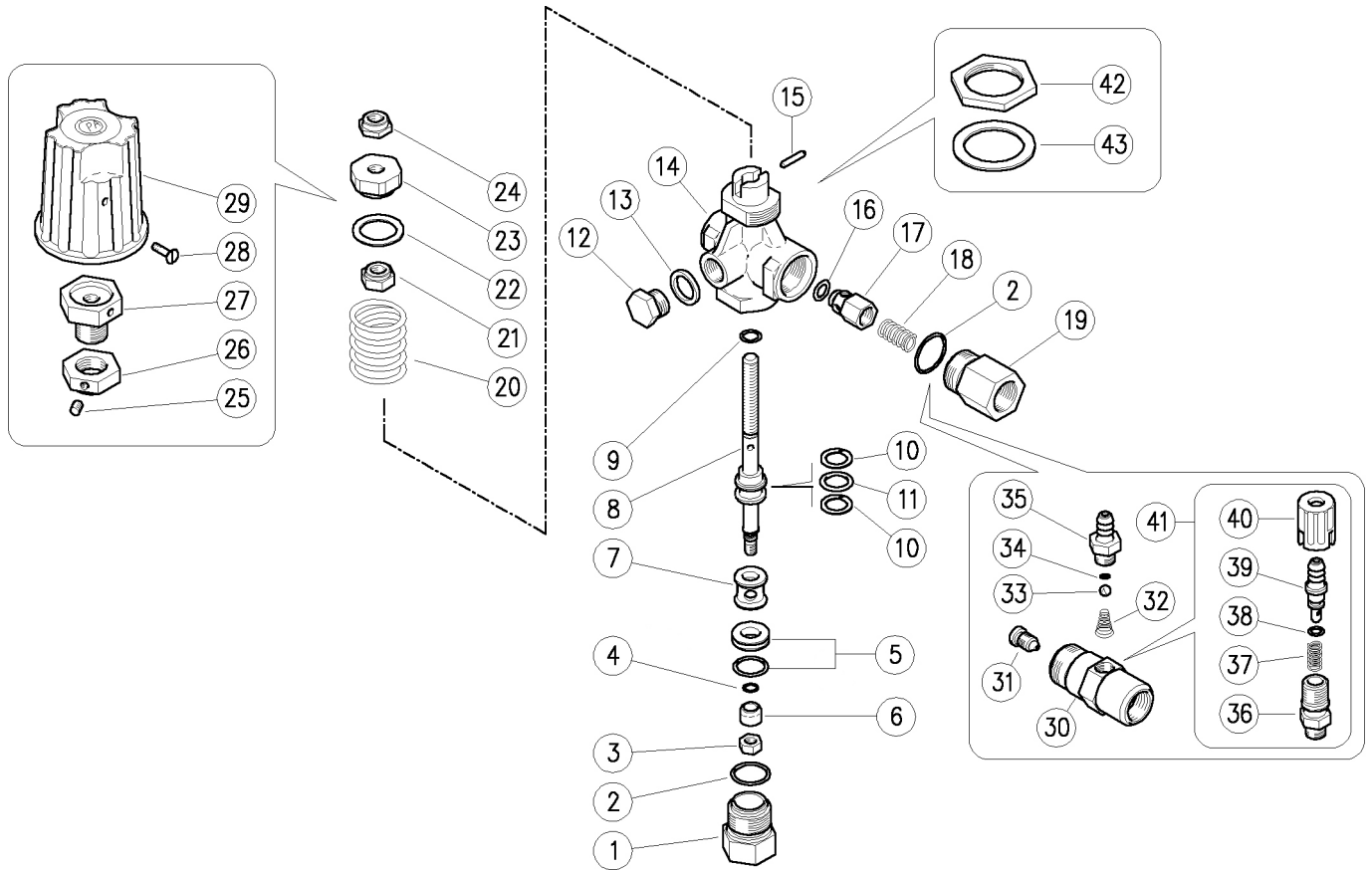
Pos.	P/N	Description	Q.ty	K1	K2	K3	K4	
1	21.0003.31	Hose barb, 8 - M12x1 mm brass	1					10
2	10.3049.00	O-ring, 1,78x5,28 mm Vi 70	1	•				10
3	14.7420.01	Ball, 7/32" Sst. Aisi 316	1	•				10
4	21.0160.51	Tapered spring, Sst. -inject.	1	•				10
5	21.0163.31	Inject.housing, 3/8FM Bsp brass	1					3
6	21.0006.51	Nozzle, M8x1 - 1,2 mm Sst. (1)	1					10
6	21.0007.51	Nozzle, M8x1 - 1,5 mm Sst.	1					10
6	21.0002.51	Nozzle, M8x1 - 1,8 mm Sst. (2)	1					10
6	21.0004.51	Nozzle, M8x1 - 2,1 mm Sst. (3)	1					10
6	21.0157.51	Nozzle, M8x1 - 2,3 mm Sst. (4)	1					10

Kit	P/N	Description	
K1	21.0010.24	Spares kit -fix.inject. 3x10 pcs.	1

(1) 21.0015.12 (2) 21.0015.18 (3) 21.0015.21 (4) 21.0015.23

60.2200.00 VB9 unload. 3/8F Bsp

60.2250.00 VB9 unload. 3/8F Bsp +knob



Pos.	P/N	Description	Q.ty	K1	K2	K3	K4	
1	60.2204.31	Seat holder, 3/8F Bsp brass	1					3
2	10.3070.02	O-ring, 1,78x18,77 mm Ni 85	2	•				10
3	11.4540.00	Hex. nut, M6, Sst.	1					10
4	10.3001.01	O-ring, 1x4 mm Ni 85	1	•				10
5	60.2221.20	Seat+O-ring	1	•				3
6	60.2205.61	Sst shutter	1	•				1
7	60.2210.31	Spacer ring, 8,5x16,8x14,5 mm brass	1					5
8	60.2202.51	Piston, M6-M8 Sst.	1					5
9	10.3170.08	O-ring, 2,62x7,6 mm Ni 85	1	•				10
10	10.4021.00	Back-up ring, opn. 11,5x15,9x1,2 mm	2	•				10
11	10.3175.00	O-ring, 2,62x10,77 mm	1	•				10
12	28.0013.31	Plug, brass 1/4 Bsp	1					25
13	14.3911.00	Washer, 13,5x19x1,5 mm Cu	1					10
14	60.2201.35	Housing -VB9, 3/8F-1/4F Bsp brass	1					5
15	15.1021.00	Roll pin, 3x14 mm Sst.	1					10
16	10.3213.00	O-ring, 3x6 mm	1	•				10
17	60.0052.99	Shutter pin, brass+o-ring 3x6 mm	1					10
18	60.0053.51	Spring, 0,7x9x20 mm Sst.	1					10
19	60.0058.31	Delivery coupl., 3/8F Bsp brass	1					5
20	60.2203.61	Spring, 4,2x27,4x31 mm z.pl.	1					10
21	60.2207.31	Ring nut, M8 brass	1					5
22	60.2208.84	Washer, 19x26x1,5 mm PA black	1					10

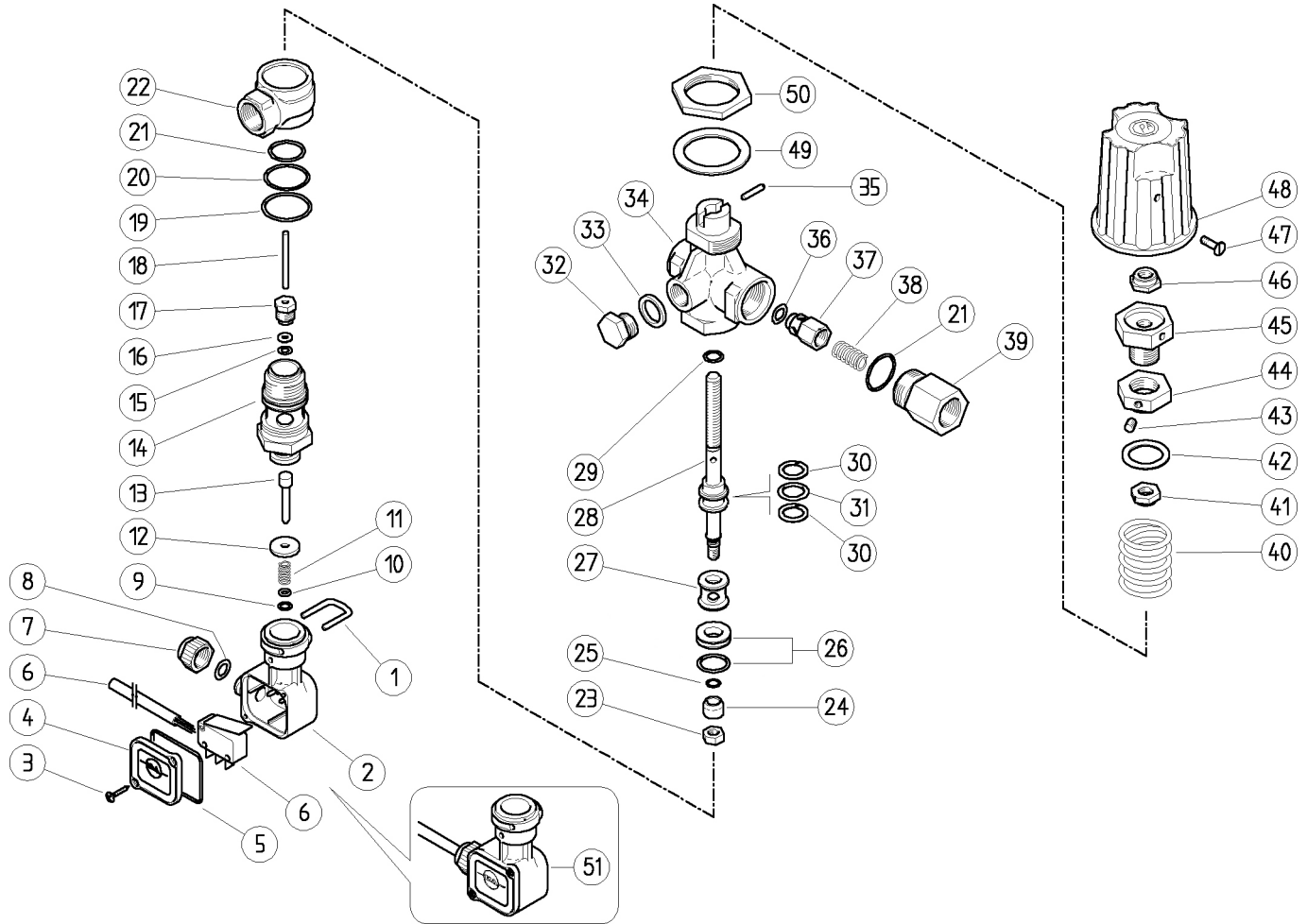
Pos.	P/N	Description	Q.ty	K1	K2	K3	K4	
23	60.2209.31	Ring nut, M8 brass (1)	1					10
24	11.4589.10	Hex. locknut, M8	1					10
25	16.2105.00	Set screw, DIN913 M5x6 mm (2)	1					10
26	60.2252.31	Ring nut, M16x1 brass (2)	1					5
27	60.2253.31	Regulating pin, brass (2)	1					10
28	16.1838.00	Screw, DIN7985 M4x10 mm z.pl. (2)	1					10
29	60.2251.84	Valve regulating knob, PA black (2)	1					5
30	21.0261.31	Inject.hous.,M22x1,5M-3/8M Bsp brass	1					3
31	21.0213.51	Nozzle, M8x1 - 2,1 mm Sst.	1					10
32	21.0160.51	Tapered spring, Sst. -inject.	1					10
33	14.7420.01	Ball, 7/32" Sst. Aisi 316	1					10
34	10.3049.00	O-ring, 1,78x5,28 mm Vi 70	1					10
35	21.0003.31	Hose barb, 8 - M12x1 mm brass	1					10
36	21.0173.31	Coupling, M12x1-1/4M Bsp brass	1					10
37	21.0158.51	Spring, 0,8x7x15 mm Sst.	1					10
38	10.3043.01	O-ring, 1,78x4,48 mm Vi 70	1					10
39	21.0155.99	Hose barb, d.8 mm brass+o-ring	1					3
40	21.0171.84	Inject.knob, 1/4F Bsp black	1					10
41	21.0100.00	Regulator+h.barb 8-M12x1mm brs. inject.	1					50
42	60.2254.31	Ring nut, M30 brass (2)	1					10
43	14.3582.00	Washer, 30,5x42x2 mm (2)	1					10

Kit	P/N	Description	
K1	60.2226.24	Spares kit -VB9 9x1pcs.	1

(1) 60.2200.00 (2) 60.2250.00

60.2350.00 VB9 unload. 3/8F Bsp +el.sw.+knob

60.2365.00 VB9 unload. 3/8F+2x1/4 Bsp F+el.sw.+knob



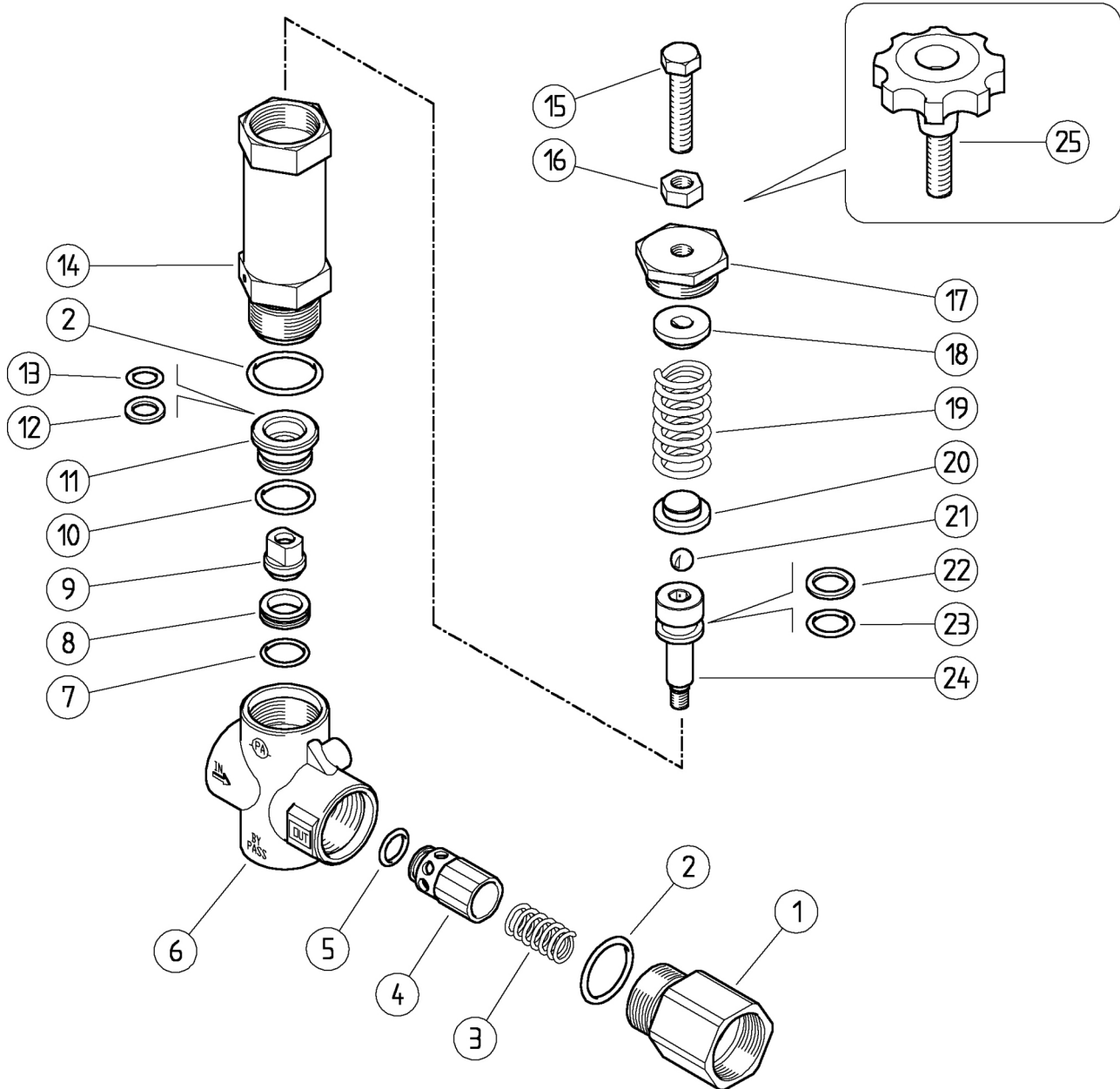
Pos.	P/N	Description	Q.ty	K1	K2	K3	K4	Pos.	P/N	Description	Q.ty	K1	K2	K3	K4
1	29.0087.51	U-bolt, Sst.	1				10	27	60.2210.31	Spacer ring, 8,5x16,8x14,5 mm brass	1				5
2	29.0089.84	Housing, PR5 PA black	1				10	28	60.2202.51	Piston, M6-M8 Sst.	1				5
3	16.3020.00	S/tapp. screw, 2,5x12mm chrom	2				10	29	10.3170.08	O-ring, 2,62x7,6 mm Ni 85	1	•			10
4	29.0088.84	Lid, PR5 PA black	1				10	30	10.4021.00	Back-up ring, opn. 11,5x15,9x1,2 mm	2	•			10
5	10.3206.01	O-ring, 2,62x28,25 mm	1	•			10	31	10.3175.00	O-ring, 2,62x10,77 mm	1	•			10
6	12.5006.00	Cable, 3x0,75 L.1000 mm+ Microswitch	1				5	32	28.0013.31	Plug, brass 1/4 Bsp	1				25
7	29.0109.84	Locknut for cable gland, PA red	1				10	33	14.3911.00	Washer, 13,5x19x1,5 mm Cu	1				10
8	10.3169.00	O-ring, 2,62x6,02 mm	1	•			10	34	60.2201.35	Housing -VB9, 3/8F-1/4F Bsp brass	1				5
9	10.3038.00	O-ring, 1,78x3,68 mm	1	•			10	34	60.2211.35	Housing -VB9, 3/8F+2x1/4F Bsp brass (1)	1				5
10	14.3519.00	Washer, 4x8x0,5 mm brass	1				10	35	15.1021.00	Roll pin, 3x14 mm Sst.	1				10
11	60.2303.51	Spring, 1,1x8x20 mm Sst.	1				10	36	10.3213.00	O-ring, 3x6 mm	1	•			10
12	29.0086.31	Washer, 4x16x2,5 mm brass	1				10	37	60.0052.99	Shutter pin, brass+o-ring 3x6 mm	1				10
13	60.2351.31	Micro-switch piston, brass	1				10	38	60.0053.51	Spring, 0,7x9x20 mm Sst.	1				10
14	60.2353.31	Seat holder, brass	1				3	39	60.0058.31	Delivery coupl., 3/8F Bsp brass	1				5
15	10.3165.00	O-ring, 2,62x2,84 mm Vi 70	1	•			10	40	60.2203.61	Spring, 4,2x27,4x31 mm z.pl.	1				10
16	10.4018.00	Back-up ring, 3,2x7,5x1,2 mm	1	•			10	41	60.2207.31	Ring nut, M8 brass	1				5
17	30.4115.31	Front Plug, M10x1 brass	1				10	42	60.2208.84	Washer, 19x26x1,5 mm PA black	1				10
18	60.2352.51	Parallel pin, 3x41mm Sst.	1				10	43	16.2105.00	Set screw, DIN913 M5x6 mm	1				10
19	10.3073.00	O-ring, 1,78x23,52 mm	1	•			10	44	60.2252.31	Ring nut, M16x1 brass	1				5
20	10.3072.50	O-ring, 1,78x21,95 mm	1	•			10	45	60.2253.31	Regulating pin, brass	1				10
21	10.3070.02	O-ring, 1,78x18,77 mm Ni 85	2	•			10	46	11.4589.10	Hex. locknut, M8	1				10
22	60.0733.35	Valve manifold, brass	1				3	47	16.1838.00	Screw, DIN7985 M4x10 mm z.pl.	1				10
23	11.4540.00	Hex. nut, M6, Sst.	1				10	48	60.2251.84	Valve regulating knob, PA black	1				5
24	60.2205.61	Sst shutter	1	•			1	49	14.3582.00	Washer, 30,5x42x2 mm	1				10
25	10.3001.01	O-ring, 1x4 mm Ni 85	1	•			10	50	60.2254.31	Ring nut, M30 brass	1				10
26	60.2221.20	Seat+O-ring	1	•			3	51	29.0096.24	Casing kit -PR5, complete 40bar	1				5

Kit	P/N	Description	Q.ty
K1	60.2355.24	Repair kit -VB9/01+PR5, 14x1pcs.	1

(1) 60.2365.00

60.5000.00 VB200/150 unload. 1" F Npt
 60.5000.15 VB200/150 unload. 1" F Bsp
 60.5020.00 VB200/150 unload. 1" F Npt +handwheel

60.5020.15 VB200/150 unloader 1" F Bsp +hand wheel
 60.5025.00 VB200/70 unldr valve, 1" Npt
 60.5025.15 VB200/70 unldr valve, 1" Bsp FF



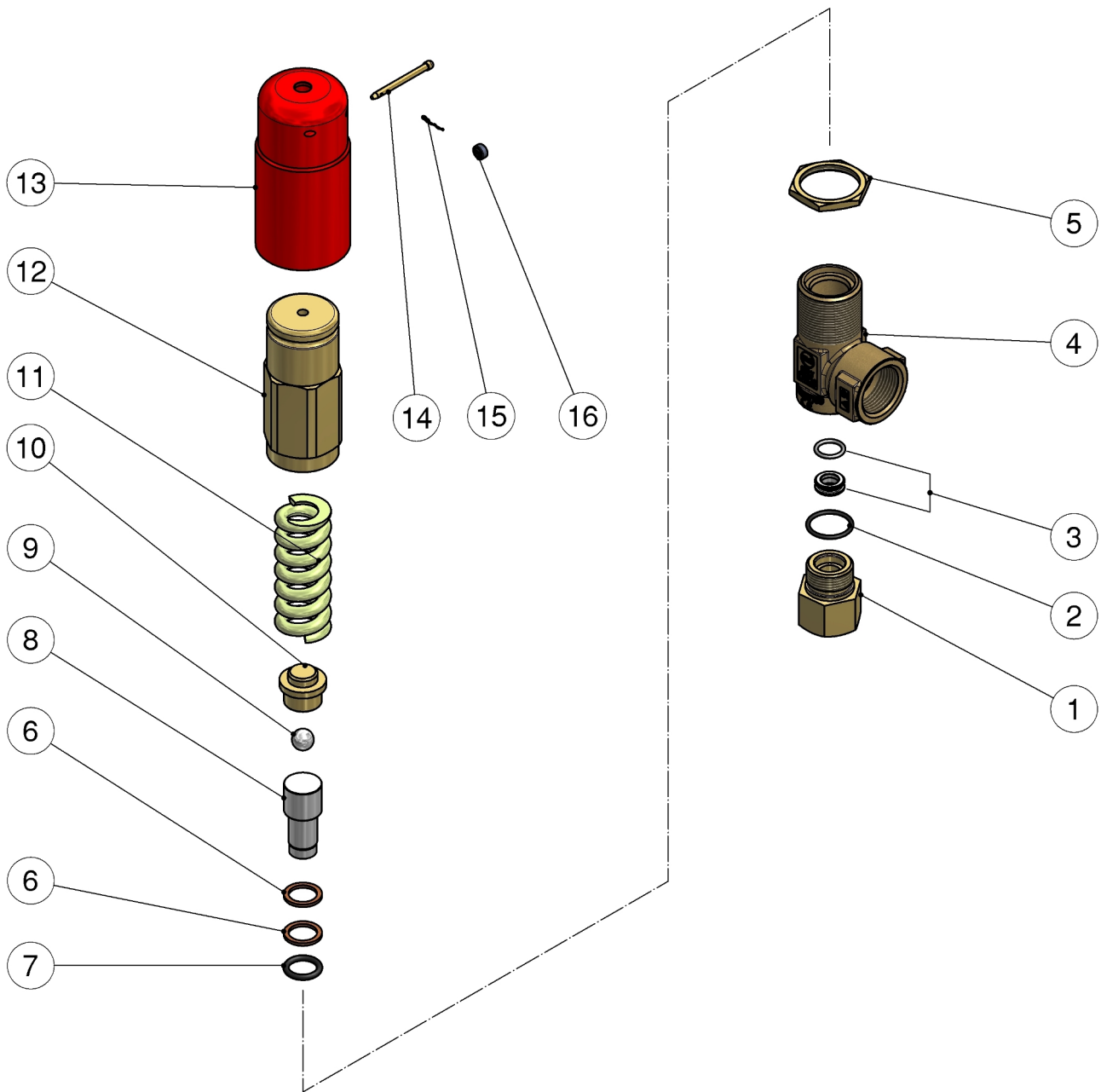
Pos.	P/N	Description	Q.ty	K1	K2	K3	K4	Pos.	P/N	Description	Q.ty	K1	K2	K3	K4
1	60.5014.31	Shutter coupl., 1"Npt F brass	1				3	13	10.3234.00	O-ring, 3,53x10,69 mm	1	•			10
1	60.5026.31	Coupling, 1"Bsp F brass (1,2)	1				3	14	60.5009.31	Piston holder, brass	1				1
2	10.3206.01	O-ring, 2,62x28,25 mm	2	•			10	15	60.5011.61	Valve regulating screw, M10x44 z.pl. (3)	1				1
3	60.5013.51	Spring, 1,3x18x29 mm Sst.	1				10	16	11.4629.00	Hex. nut, M10	1				10
4	60.5012.99	Shutter pin, brass+or 5,33x12,06 mm N	1				2	17	60.5008.31	Upper plug, M10 brass	1				1
5	10.3314.00	O-ring, 5,33x12,06 mm	1	•			10	18	60.5005.31	Spring guide spacer, brass	1				1
6	60.5001.35	Housing-VB200/60-150, 1"Npt brass	1				1	19	60.5006.61	Spring, 6x30x62 mm	1				5
6	60.5024.35	Hous.-VB200/150-1"Bsp FF (1,2)	1				1	19	60.5031.61	Spring 5x23x62 mm (4,2)	1				1
7	10.3072.01	O-ring, 1,78x20,35 mm Ni 85	1	•			10	20	60.5007.31	Spring guide spacer, brass	1				3
8	60.5002.51	Seat, 15,8x23x6 mm Sst.	1	•			2	21	14.7461.00	Ball, 13/32" Sst.	1				10
9	60.5003.51	Shutter pin, M8 Sst.	1	•			3	22	10.4081.00	Back-up ring, 15,8x22x2 mm	1	•			10
10	10.3195.01	O-ring, 2,62x20,29 mm Ni 90	1	•			10	23	10.3237.00	O-ring, 3,53x15,47 mm	1	•			10
11	60.5010.31	Reduction bushing, brass	1				2	24	60.5004.51	Piston, M8 Sst.	1				2
12	10.4080.00	Back-up ring, 12x18,2x2 mm	1	•			10	25	60.5021.22	Handwheel, 70mm -M10x44 (5,6)	1				2

Kit	P/N	Description	Q.ty
K1	60.5016.24	Spares kit -VB200/150, 10x1pcs.	1

(1) 60.5000.15 (2) 60.5025.15 (3) 60.5000.00 (4) 60.5025.00 (5) 60.5020.00 (6) 60.5020.15

60.5100.00 VS200/180 unload. 3/4F Npt byp:1/2F
 60.5100.15 VS200/180 unload. 3/4F Bsp byp:1/2F

60.5115.00 VS200/180 Unload. 3/4F-1/2F Bsp to block



Pos.	P/N	Description	Q.ty	K1	K2	K3	K4	
1	60.5104.31	Coupling, 1/2F Npt brass (1)	1					3
1	60.5111.31	Seat holder, 1/2F Bsp brass (2,3)	1					3
2	10.3070.02	O-ring, 1,78x18,77 mm Ni 85	1	•				10
3	60.0259.20	Seat, 8mm + O-ring, 1,78mm	1	•				10
4	60.5101.35	Housing -VS200/180, 3/4F Npt brass (1)	1					3
4	60.5109.35	Housing -VS200/180, 3/4F Bsp brass (2,3)	1					3
5	60.5107.31	Ring nut, M30 brass	1					5
6	10.4050.00	Back-up ring, 13,5x18x1,5 mm	2	•				10

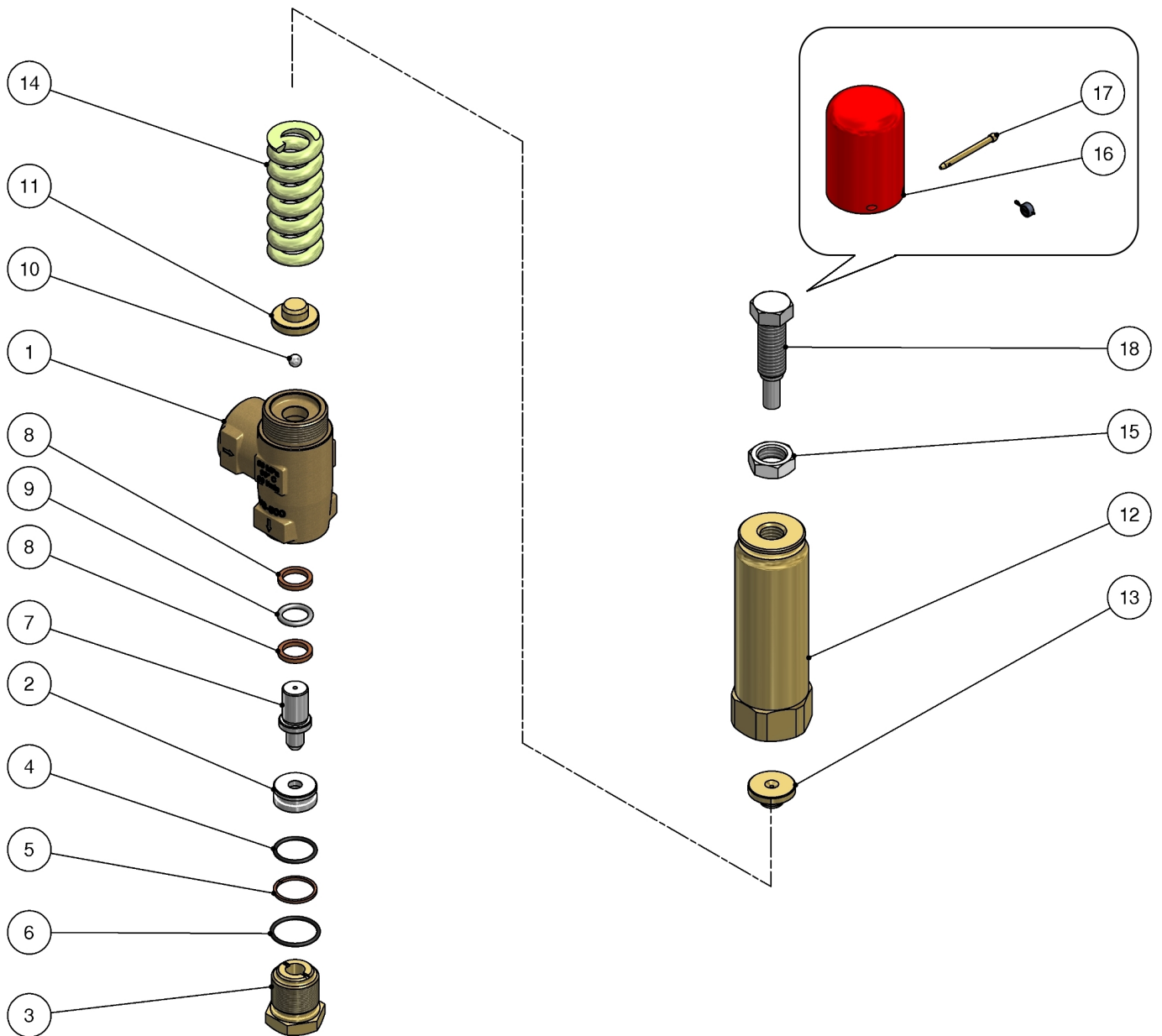
Pos.	P/N	Description	Q.ty	K1	K2	K3	K4	
7	10.3178.00	O-ring, 2,62x13,1 mm	1	•				10
8	60.5108.21	Piston, Sst. + ball, 13/32" Sst.	1	•				3
9	14.7461.00	Ball, 13/32" Sst.	1					10
10	60.5105.31	Spring guide spacer, brass	1					3
11	60.5102.61	Spring, 6x26,5x67 mm z.pl.	1					3
12	60.5106.31	Valve regulating ring nut, brass	1					3
13	60.5117.41	Knob x block. press al-red (3)	1					3
14	60.0599.31	4 mm pierced pin (3)	1					5

Kit	P/N	Description	
K1	60.5110.24	Spares kit -VS200/180, 6x1pcs.	1

(1) 60.5100.00 (2) 60.5100.15 (3) 60.5115.00

60.5200.00 VS500 safety valv. 1/2F Bsp byp:3/4F

60.5212.00 VS500 saf.valv.1/2F Bsp byp:3/4F to bloc



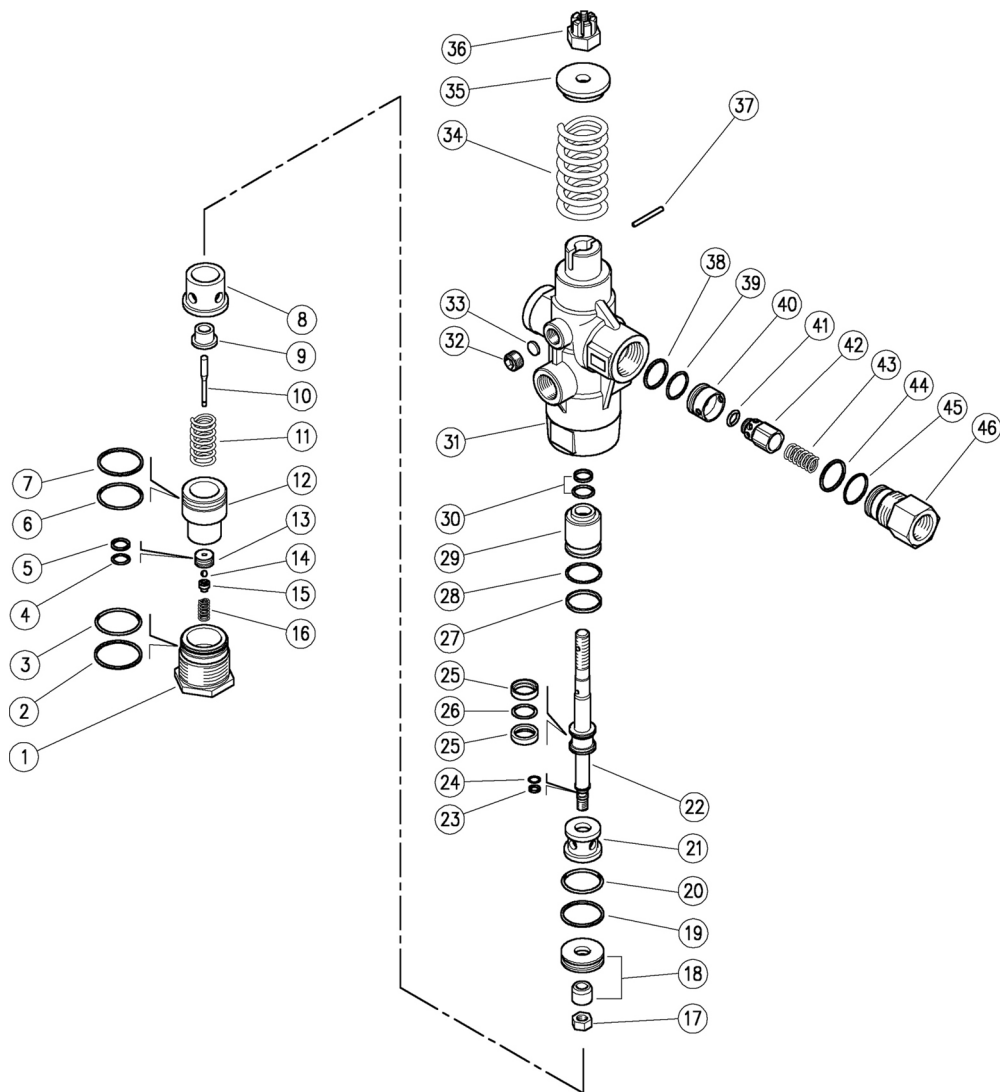
Pos.	P/N	Description	Q.ty	K1	K2	K3	K4	
1	60.5201.35	Housing - VS500, 1/2" Bsp brass	1					1
2	60.5203.51	Seat, 7x22x10 mm Sst.	1	•				5
3	60.5204.31	Coupl., M24x1M-3/8F Bsp brass	1					3
4	10.3070.02	O-ring, 1,78x18,77 mm Ni 85	1	•				10
5	10.4030.00	Back-up ring, 19,2x22x1,5 mm	1	•				10
6	10.3072.60	O-ring, 1,78x21,95 mm Ni 85	1	•				10
7	60.5202.51	Piston, 16,5x37 mm Sst.	1	•				3
8	10.4031.00	Back-up ring, 13x17,5x2,5 mm	2	•				10
9	10.3178.01	O-ring, 2,62x13,1 mm Ni 85	1	•				10

Pos.	P/N	Description	Q.ty	K1	K2	K3	K4	
10	14.7421.50	Ball, 1/4" Sst.	1					10
11	60.5205.31	Spring rest pin, brass	1					3
12	60.5208.31	Spring holder, brass	1					3
13	60.5207.31	Spring guide spacer, brass	1					3
14	60.5206.61	Spring, 7x28,5x70 mm z.pl.	1					3
15	11.4760.00	Hex. nut, M14	1					10
17	60.0599.31	4 mm pierced pin (1)	1					5
16	60.0598.41	Knob x block. press al-red (1)	1					3
18	60.5209.51	Valve regulating screw, M14x58 Sst.	1					3

Kit	P/N	Description	
K1	60.5210.24	Spares kit -VS500, 7x1pcs.	1

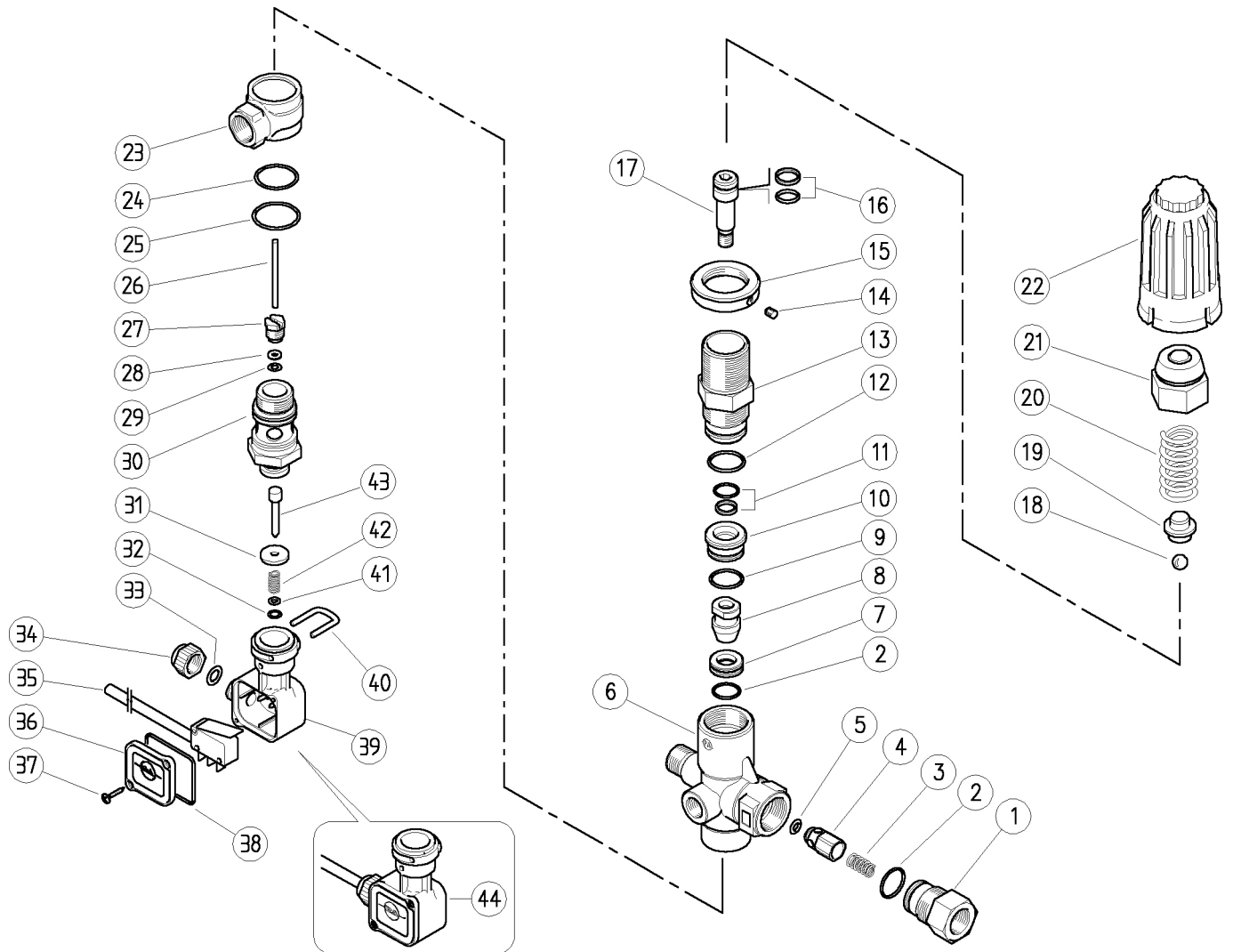
(1) 60.5212.00

60.8000.00 VB16 unload. 1/2F Bsp



Pos.	P/N	Description	Q.ty	K1	K2	K3	K4	Pos.	P/N	Description	Q.ty	K1	K2	K3	K4
1	60.8003.31	Plug, M38x1 brass	1				3	24	10.3018.08	O-ring, 1,5x6 mm Ni 85	1				10
2	10.4089.00	Back-up ring, 32,7x35,5x1,5 mm	1				5	25	10.4094.00	Back-up ring, 15,5x20x5 mm	2				5
3	10.3078.08	O-ring, 1,78x31,45 mm Ni 85	1				10	26	10.3180.08	O-ring, 2,62x15,08 mm Ni 85	1				10
4	10.3058.02	O-ring, 1,78x10,82 mm Ni 85	1				10	27	10.4087.00	Back-up ring, 23,5x26,5x2,5 mm	1				5
5	10.4090.00	Back-up ring, 11,2x14x1,5 mm	1				10	28	10.3073.08	O-ring, 1,78x23,52 mm Ni 85	1				10
6	10.3077.28	O-ring, 1,78x29,87 mm Ni 85	1				10	29	60.8010.51	Spacer ring, 12,2x26,5x33,5 mm Sst.	1				3
7	10.4088.00	Back-up ring, 31,2x34x1,5 mm	1				5	30	10.2012.00	Stem seal, 12x19x2,8 mm +O-ring	1				5
8	60.8012.51	Spacer ring, 14,5x34x27,5 mm Sst.	1				3	31	60.8001.35	Housing -VB16, 1/2F Bsp brass	1				1
9	60.8016.31	Spacer ring, 5,2x19x12,5 mm brass	1				3	32	60.0022.31	Grub screw, brass 1/4 Bsp	1				5
10	60.8022.51	Piston, 5x43,8 mm Sst.	1				3	33	11.6500.09	Plate, 10,9x1,5 mm Cu	1				5
11	60.8004.51	Spring, 3,5x17,5x29 mm Sst.	1				3	34	60.8005.61	Spring, 7x42,5x48 mm z.pl.	1				3
12	60.8013.31	Seat holding spacer, brass	1				3	35	60.8017.31	Spring guiding washer, brass	1				3
13	60.8015.51	Seat, 3x14x7,5 mm Sst.	1				5	36	60.8018.61	Valve regulating nut, M10 z.pl.	1				3
14	14.7418.71	Ball, 5/32"	1				5	37	15.1042.00	Roll pin, 3x26 mm Sst.	1				10
15	60.8014.51	Ball holding piston, Sst.	1				5	38	10.4091.00	Back-up ring, 21,2x24x1,5 mm	1				5
16	60.8006.51	Spring, 1x7,2x14 mm Sst.	1				3	39	10.3072.01	O-ring, 1,78x20,35 mm Ni 85	1				10
17	11.4574.11	Hex. nut, M8, Sst.	1				10	40	60.8019.51	Shutter seat, Sst.	1				3
18	60.8023.24	Seat, 14mm Sst. + shutter pin, Sst.	1				1	41	10.3292.08	O-ring, 4x8 mm Ni 85	1				10
19	10.4085.00	Back-up ring, 29,2x32 mm	1				5	42	60.8020.51	Pin, hex.17 Sst	1				3
20	10.3077.08	O-ring, 1,78x28,3 mm Ni 85	1				10	43	60.8007.51	Spring, 0,8x12,2x27 mm Sst.	1				3
21	60.8011.31	Spacer ring,	1				3	44	10.3072.60	O-ring, 1,78x21,95 mm Ni 85	1				10
22	60.8002.51	Piston, M8-M10 Sst.	1				3	45	10.4092.00	Back-up ring, 22,7x25,5x1,5 mm	1				5
23	10.4086.00	Back-up ring, 6,3x8,5x1,5 mm	1				5	46	60.8021.31	Shutter coupl., 1/2F Bsp brass	1				3
Kit	P/N	Description													
K1	60.8025.24	Spares kit -VB16, 24x1pcs.	1												

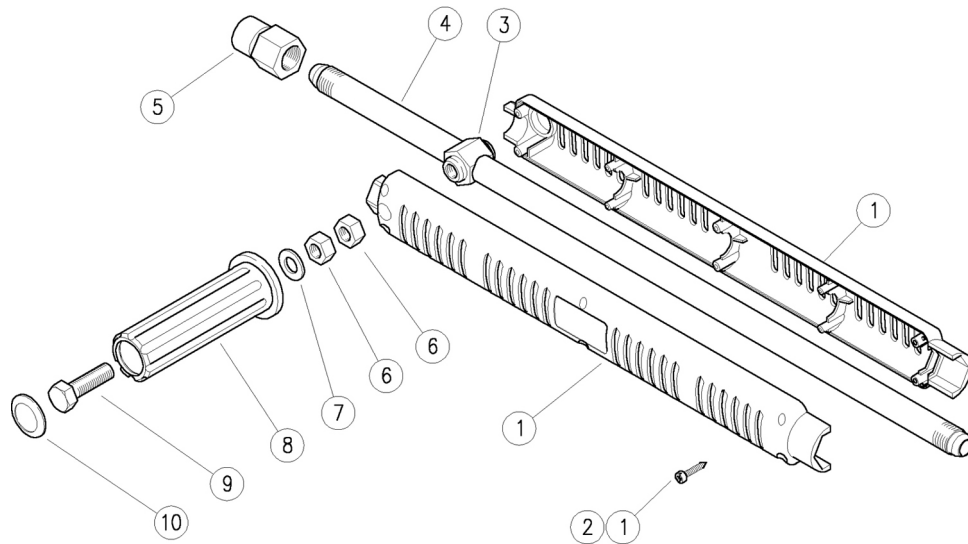
60.1730.00 VB350 unld.3/8F Bsp port:3/8M+m/sw+knob



Pos.	P/N	Description	Q.ty	K1	K2	K3	K4		Pos.	P/N	Description	Q.ty	K1	K2	K3	K4	
1	60.1811.31	Shutter coupl., 3/8F Bsp brass	1					3	23	60.0733.35	Valve manifold, brass	1					3
2	10.3066.01	O-ring, 1,78x15,6 mm Ni 85	2	•				10	24	10.3072.50	O-ring, 1,78x21,95 mm	1	•				10
3	60.0053.51	Spring, 0,7x9x20 mm Sst.	1					10	25	10.3073.00	O-ring, 1,78x23,52 mm	1	•				10
4	60.9052.93	Shutter pin, Sst.+or 3x6 mm N90	1					10	26	60.1733.51	Micro-switch piston, Sst.	1					5
5	10.3213.08	O-ring, 3x6 mm Ni 90	1	•				10	27	60.1732.31	Plug, M10x1 brass	1					10
6	60.1725.35	Hous.-V280-350/4, 3/8M c/snk+1/4F Bsp brs	1					3	28	10.4018.00	Back-up ring, 3,2x7,5x1,2 mm	1					10
7	60.1809.51	Seat, 11,6x19x6 mm Sst.	1	•				5	29	10.3165.00	O-ring, 2,62x2,84 mm Vi 70	1	•				10
8	60.1808.51	Shutter pin, M8 Sst.	1	•				3	30	60.1731.31	Seat holder, 1/2M Bsp brass	1					5
9	10.3068.01	O-ring, 1,78x17,17 mm Ni 85	1	•				10	31	29.0086.31	Washer, 4x16x2,5 mm brass	1					10
10	60.1810.31	Spacer ring, 10,3x23,4x12,5 mm brass	1					5	32	10.3038.00	O-ring, 1,78x3,68 mm	1	•				10
11	60.0979.24	Stem seal, 10x14,9x2,2 mm+O-ring	1	•				5	33	10.3169.00	O-ring, 2,62x6,02 mm	1	•				10
12	10.3072.01	O-ring, 1,78x20,35 mm Ni 85	1	•				10	34	29.0082.84	Locknut for cable gland, PA black	1					10
13	60.1805.31	Piston holder, brass	1					3	35	12.5006.00	Cable, 3x0,75 L.1000 mm+ Microswitch	1					5
14	16.2100.00	Set screw, DIN914 M4x4 mm	1					10	36	29.0088.84	Lid, PR5 PA black	1					10
15	60.1728.31	Ring nut, M27x1 brass	1					3	37	16.3020.00	S/tapp. screw, 2,5x12mm chrom	2					10
16	60.0978.24	Piston seal, 9x14x2,2 mm+O-ring	1	•				5	38	10.3206.01	O-ring, 2,62x28,25 mm	1	•				10
17	60.1806.51	Piston, M8 Sst.	1					3	39	29.0089.84	Housing, PR5 PA black	1					10
18	14.7443.10	Ball, 11/32" Sst.	1	•				10	40	29.0087.51	U-bolt, Sst.	1					10
19	60.1813.31	Spring rest pin, brass	1	•				5	41	14.3519.00	Washer, 4x8x0,5 mm brass	1					10
20	60.1812.61	Spring, 4,5x15,8x47mm	1					3	42	60.2303.51	Spring, 1,1x8x20 mm Sst.	1					10
21	60.1727.31	Valve regulating insert, brass	1					5	43	60.2351.31	Micro-switch piston, brass	1					10
22	60.1729.84	Valve regulating knob, PA red	1					10	44	29.0096.24	Casing kit -PR5, complete 40bar	1					5

Kit	P/N	Description	
K1	60.1736.24	Spares kit -VB350+PR5, 18x1pcs.	1

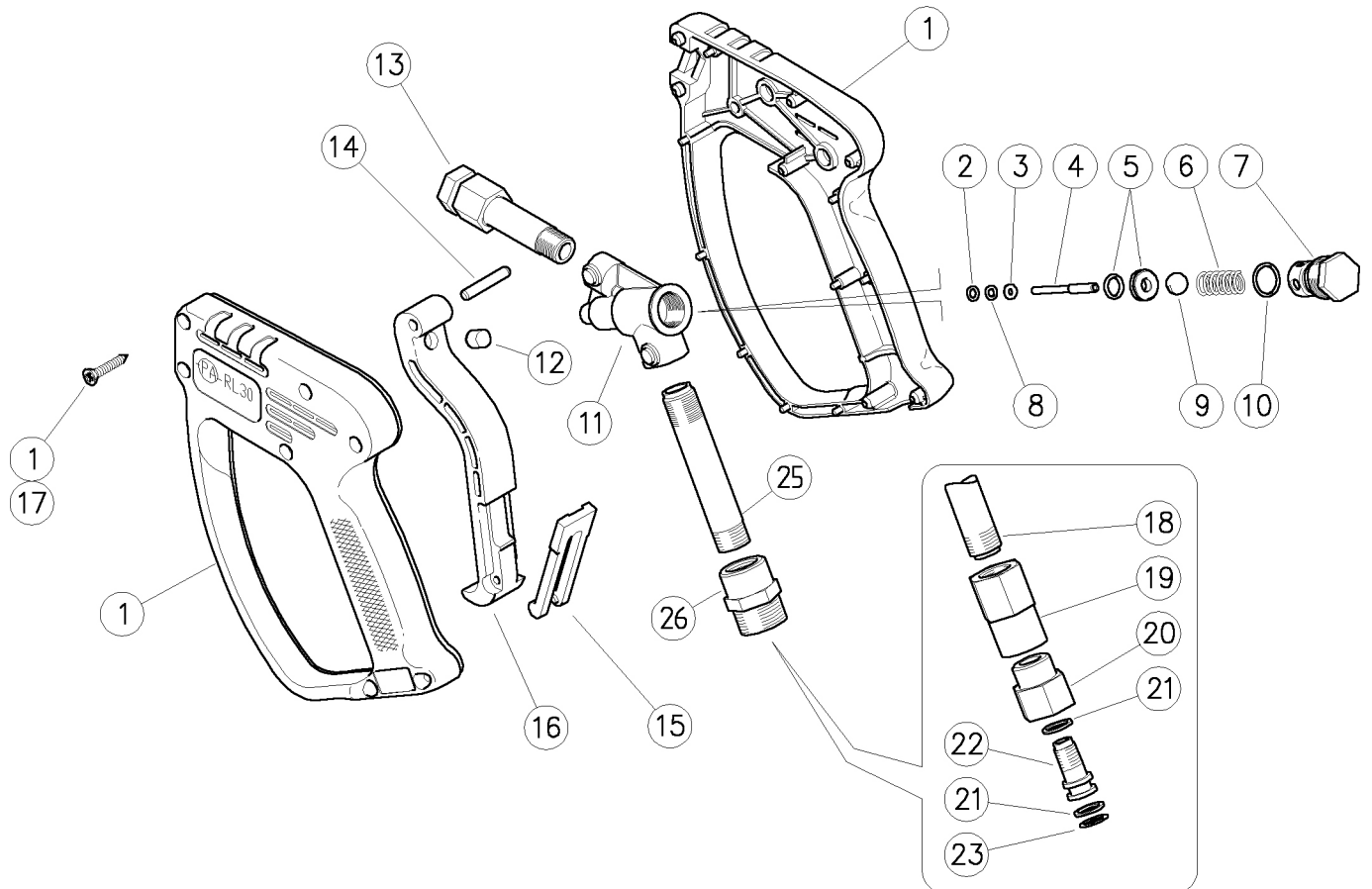
40.0160.80 S6 lan.-RL600 sst 800mm+grip




Pos.	P/N	Description	Q.ty	K1	K2	K3	K4	Pos.	P/N	Description	Q.ty	K1	K2	K3	K4
1	40.0161.24	Casing-kit -S6 +screws, Sst.	1					6	11.4627.00	Hex. nut, M10	2				
2	16.3075.51	S/tapping screw, DIN7981 3,5x18 mm Sst.	6					7	14.3799.00	Washer, 10x21x2 mm	1				
3	30.5885.31	Tube fastener, brass	1					8	41.0409.84	Knob, 32x115 mm PP black	1				
4	30.5884.56	Tube, 3/8Bsp MM 800mm Sst.	1					9	16.2030.00	Screw, DIN933 M10x30 mm z.pl.	1				
5	30.5883.51	Nozzle holder, 3/8F Bsp-1/4F Npt Sst.	1					10	41.0411.84	Plug, Knob PP black	1				


- 30.2500.00 RL30 spr.gun 3/8F-1/4F Bsp
- 30.2500.20 RL30 spr.gun A M22-1/4F Bsp
- 30.2500.30 RL30 spr.gun 3/8M-1/4F Bsp
- 30.2500.50 RL30 spr.gun 3/8F-1/4F Npt

- 30.2511.00 RL30 spr.gun+sw.6 3/8F-1/4F Bsp
- 30.2511.20 RL30 spr.gun+sw.6 A M22-1/4F Bsp
- 30.2515.00 RL30 spr.gun 3/8F-1/4F Bsp+ceram.ball



Pos.	P/N	Description	Q.ty	K1	K2	K3	K4	
1	30.2501.24	Casing-kit -RL30 +screws, Sst.	1					1
2	10.4018.00	Back-up ring, 3,2x7,5x1,2 mm	1	•	•	•	•	10
3	14.3511.00	Washer, 3,2x7x0,5 mm sst.	1					10
4	30.2516.51	Piston, 3 mm Sst.	1	•	•	•	•	10
5	30.1708.20	Seat, 6mm Sst.+O-ring 1,78mm NBR85	1	•	•		•	10
5	30.0716.20	Weep.seat,5,8mm+O-ring (1.1,1)	1			•		10
6	30.2596.51	Spring, 1,5x6,1x23 mm Sst.	1					10
7	30.2595.31	Spring plug, M16x1 brass	1					10
8	10.3165.00	O-ring, 2,62x2,84 mm Vi 70	1	•	•	•	•	10
9	14.7448.00	Ball, 5/16" Sst.	1	•	•	•		10
9	14.7448.78	Ball, 5/16" ceramics (1)	1				•	10
10	10.3020.02	O-ring, 1,5x10 mm Ni 85	1	•	•	•	•	10
11	30.2597.35	Housing -RL30, brass	1					5
12	30.0675.84	Stop pin, 8x7,1mm PA	1					10
13	30.2006.35	Front tube, 1/4F Bsp 72 mm brass	1					5
13	30.2008.35	Front tube, 1/4F Npt 72 mm brass (2)	1					10
14	30.2517.31	Parallel pin, 5x27,5 mm brass	1					10

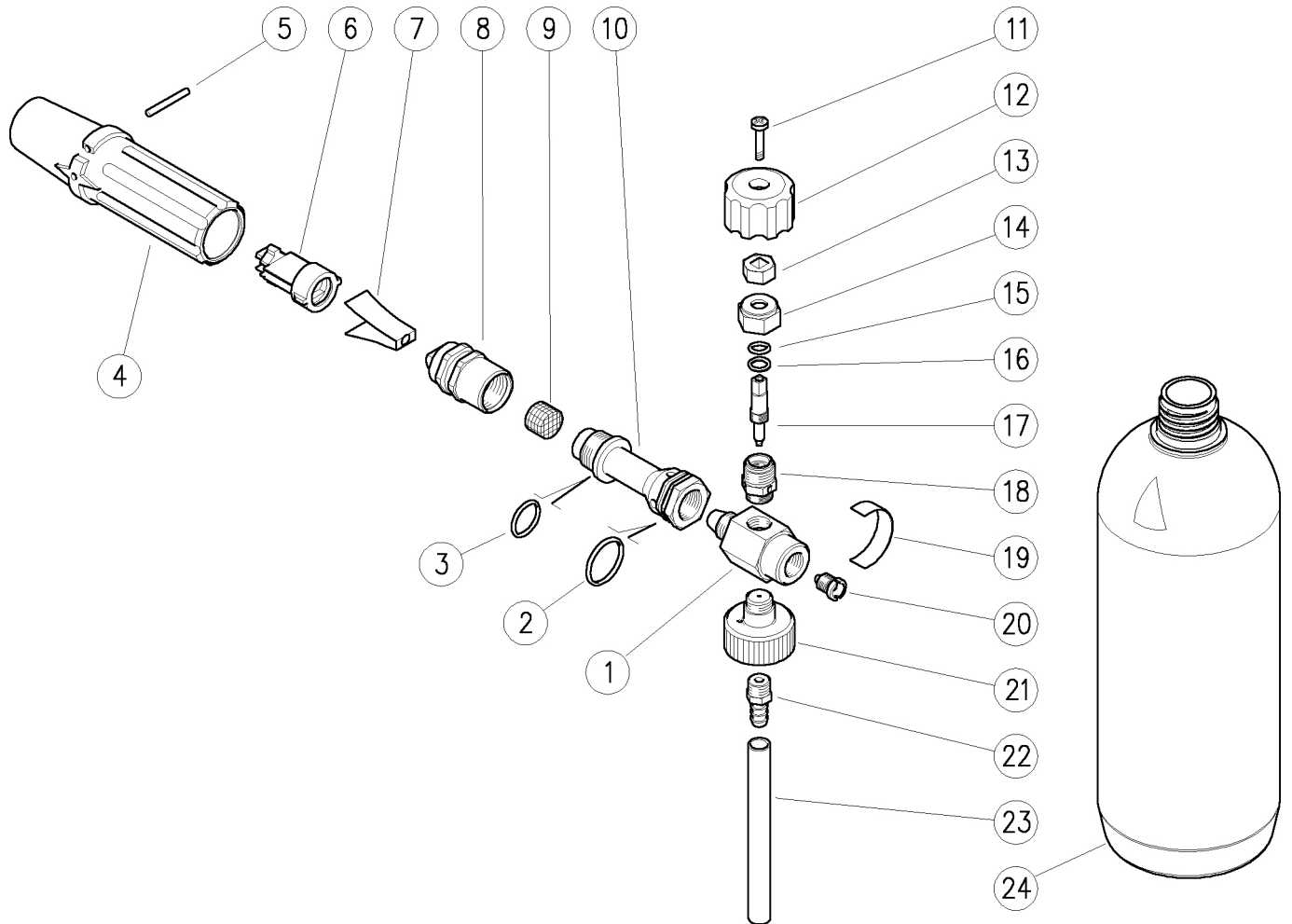
Pos.	P/N	Description	Q.ty	K1	K2	K3	K4	
15	30.1510.84	Safety latch, PA red	1					10
15	30.1515.84	Safety latch, PA blue	1					10
15	30.1516.84	Safety latch, black (1)	1					10
16	30.2506.84	Trigger -RL31, PA black	1					10
17	16.3077.00	S/tapping screw, DIN7981 3,5x18 mm	7					10
18	30.2547.36	Tube, M15 MM 103mm brass (3)	1					5
19	30.2546.31	Adapt., M15F-M10x1F brass (3)	1					5
20	30.2019.31	Coupl., 3/8F Bsp brass (3)	1					5
20	30.2015.31	Swivel connection A M22 M	1					3
21	10.4010.01	Back-up ring,10,2x13,9x1,2mm (4)	2	•				50
22	30.2017.51	Pin, SW M10x1 M Sst. (3)	1					5
23	10.3171.10	O-ring, 2,62x9,19 mm Vi 70 (3)	1	•				10
25	30.1011.36	Tube, M15 127 mm brass	1					5
26	30.2523.31	Coupl., 3/8 Bsp F brass	1					5
26	30.2525.31	Coupl., A M22x1,5 brass (5)	1					5
26	30.2524.31	Coupl., 3/8M Bsp brass (6)	1					5
26	30.1012.31	Coupl., 3/8 Npt F brass (2)	1					3

Kit	P/N	Description	
K1	30.2559.24	Spares kit -RL30, 6(7)x1pcs.	1
K2	30.2519.24	Spares kit -RL30, 8(9)x1pcs.	1
K3	30.2545.24	Spares kit -RL30, 6(7)x1pcs.	1
K4	30.2563.24	Spares kit -RL30+ceram.ball, 6(7)x1pcs.	1

(1) 30.2515.00 (2) 30.2500.50 (3) 30.2511.00 (4) 30.2511.20 (5) 30.2500.20 (6) 30.2500.30

25.1520.12 LS3.1 Foamer 1,25mm+1L tank

25.1520.14 LS3.1 Foamer 1,4mm + tank 1L

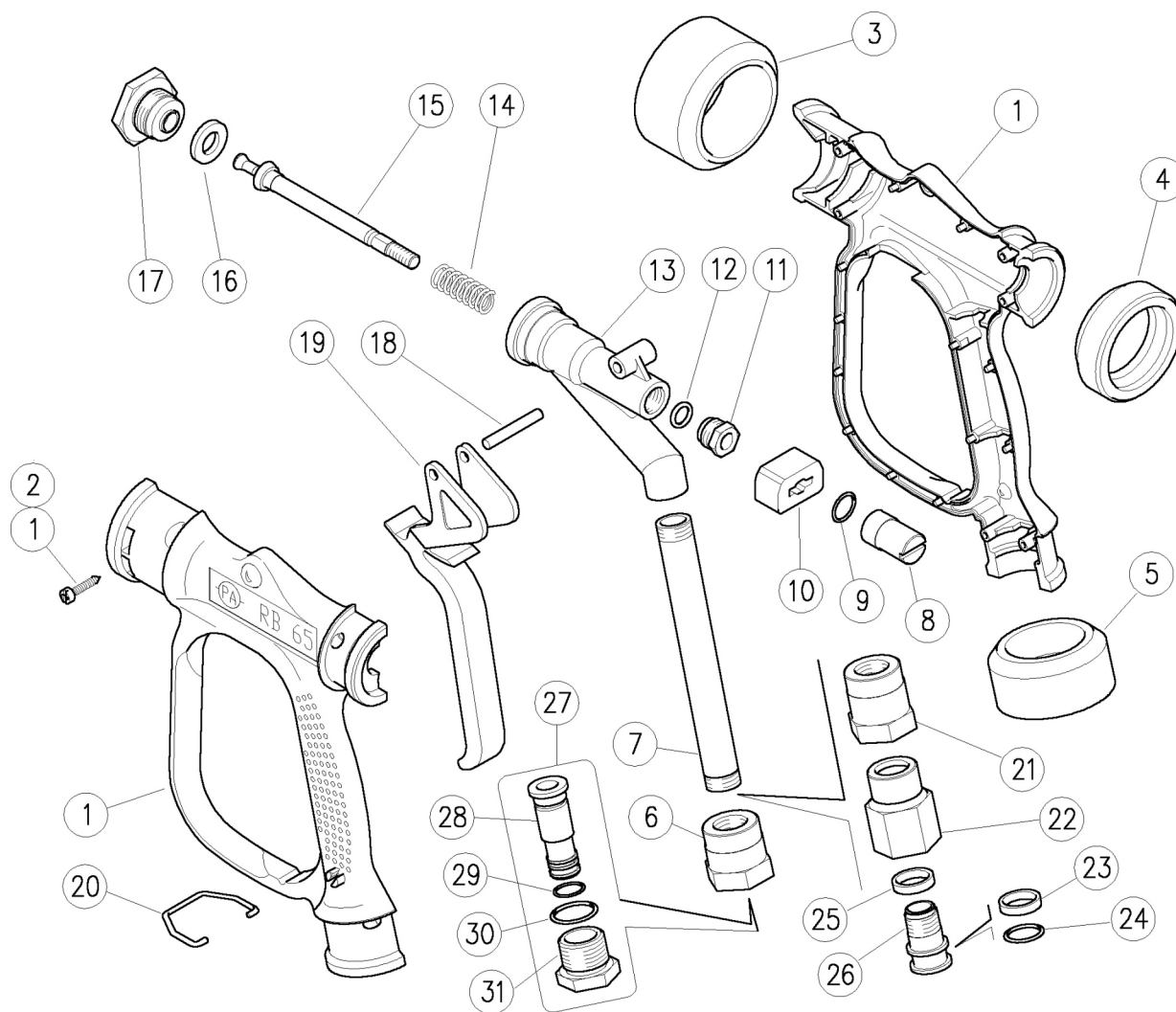


Pos.	P/N	Description	Q.ty	K1	K2	K3	K4		Pos.	P/N	Description	Q.ty	K1	K2	K3	K4	
1	25.1503.31	Injector housing	1					3	14	29.0938.31	Ring nut, M14x1 brass	1					10
2	10.3072.50	O-ring, 1,78x21,95 mm	1					10	15	10.3052.00	O-ring, 1,78x6,75 mm	1					25
3	10.3066.00	O-ring, 1,78x15,6 mm	1					10	16	29.0940.51	Washer, 7x9,5x0,7 mm Sst.	1					10
4	25.1018.84	Nozzle knob, black	1					10	17	25.1504.31	Pin	1					5
5	15.1041.00	Parallel pin, 3x25 mm Sst.	1					10	18	25.1502.31	Piston holder	1					5
6	25.0952.84	Deflector housing	1					10	19	15.3808.12	Label LS3	1					10
7	25.1020.53	Sst deflector	1					10	20	21.0223.51	Nozzle, M8x1 - 1,25 mm Sst. (1)	1					5
8	25.1522.31	Injector housing	1					3	20	21.0226.51	Nozzle, M8x1 - 1,4 mm Sst. (2)	1					5
9	25.1512.51	Pressed strainer, 14x10 mm Sst.	1					10	21	25.1505.31	Tank holder	1					3
10	25.1521.31	Front injector housing	1					3	22	29.0103.31	Nipple, brass, 1/8M Bsp+8mm h.barb	1					10
11	16.1840.00	Screw, DIN7985 M4x14 mm z.pl.	1					10	23	16.0521.00	Hose, 6x9 L.255 mm PVC	1					5
12	29.0931.84	Knob, PA black	1					10	24	14.6502.00	Tank, l.1	1					10
13	29.0924.31	Groove nut, brass	1					10									

(1) 25.1520.12 (2) 25.1520.14

30.6400.00 RB65 spray gun,brass 1/2F Bsp adj.nzl
 30.6425.00 RB65 sp.gun,brass+sw.5 1/2F Bsp adj.nzl
 30.6430.00 Swivel, brass -RB65+13mm h.barb

30.6440.00 RB65 sp.gun, brass 1/2F adj.nozzle -100
 30.6445.00 RB65 sp.gun, brass+sw5 1/2F adjust.nozzle



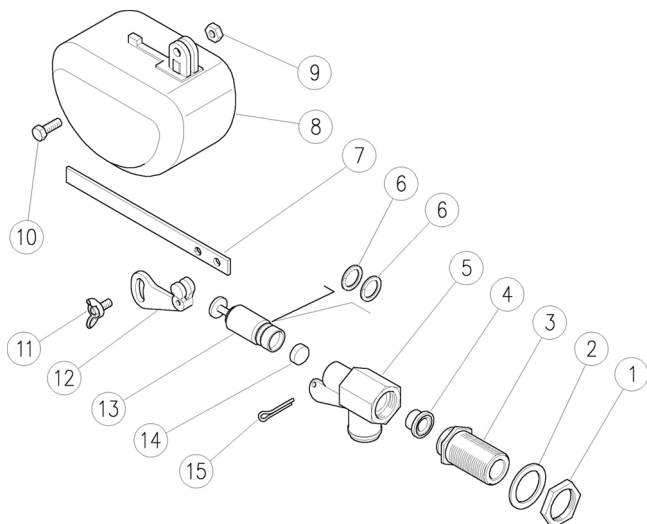
Pos.	P/N	Description	Q.ty	K1	K2	K3	K4
1	30.6420.24	Casing-kit -RB65-60L +screws, Sst. (1)	1				1
1	30.6446.24	Casing-kit -RB65-100L +scr. Sst. (2)	1				1
2	16.3075.51	S/tapping screw, DIN7981 3,5x18 mm Sst.	6				10
3	30.6412.84	Front guard ring, TPEs blue	1				5
4	30.6413.84	Back guard ring, TPEs blue	1				5
5	30.6414.84	Lower guard ring, TPEs blue	1				5
6	30.6407.31	Coupl., M16x1,5F-1/2F Bsp brass (1)	1				3
7	30.6409.36	Tube, M16x1,5 FF 130 mm brass	1				5
8	30.6418.31	Regulating pin, M7	1				5
9	10.3091.10	O-ring, 2x14 mm Vi 70	1	•	•	•	10
10	30.6404.84	Sliding block, PA blue (1)	1				5
10	30.6443.84	Sliding block, PA red (2)	1				5
11	30.6417.31	Plug, M14x1 M brass	1				5
12	10.3170.10	O-ring, 2,62x7,6 mm Vi 70	1	•	•	•	10
13	30.6405.35	Housing -RB65, brass	1				3
14	30.6410.51	Spring, 1,8x12,8x40 mm Sst.	1	•	•	•	10
15	30.6406.31	Piston -RB65, brass 60L/min (1)	1	•	•	•	5
15	30.6442.31	Piston -RB65, brass 100L/min (2)	1	•	•	•	5

Pos.	P/N	Description	Q.ty	K1	K2	K3	K4
16	30.6408.85	Front seal, 11x20,5x3 mm FKM80	1	•	•	•	10
17	30.6403.31	Front Coupl. -RB65, brass 60L/min (1)	1				5
17	30.6441.31	Front coupl. -RB65, brass 100L/min (2)	1				5
18	30.6428.31	Parallel pin, 5x38 mm brass	1				5
19	30.6411.84	Trigger -RB65, PA blue (1)	1				10
19	30.6444.84	Trigger -RB65, PA red (2)	1				5
20	30.6415.51	Trigger retainer, Sst.	1				5
21	30.6426.31	Coupl. -SW, M15x1F-M16x1,5F (3)	1				3
22	30.6427.31	Coupl. -SW, 1/2F Bsp (3)	1				5
23	26.1075.85	Bushing, open 15,5x19x4 mm PTFE (3)	1				5
24	10.3092.10	O-ring, 2x15 mm Vi 70 (3)	1				10
25	26.1074.85	Bushing, 15,5x19x4 mm PTFE (3)	1				5
26	26.1072.31	Pin, M15x1-19 mm brass (3)	1				10
27	30.6430.00	Swivel, brass -RB65+13mm h.barb	1				10
28	30.6431.31	13mm hose barb, brass	1				3
29	10.3060.00	O-ring, 1,78x12,42 mm	1				10
30	10.3092.90	O-ring, 2x19 mm	1				10
31	30.6432.31	Coupl. -SW, 1/2M Bsp brass	1				3

Kit	P/N	Description	Q.ty
K1	30.6422.24	Seals spares kit -RB65, 3x1pcs.	1
K2	30.6423.24	Repair kit -RB65-60L, 5x1pcs.	1
K3	30.6424.24	Repair kit -RB65-100L, 5x1pcs.	1

(1) 30.6400.00 (2) 30.6440.00 (3) 30.6425.00

29.0280.00 RG60 Float valve,brass,1/2M Bsp

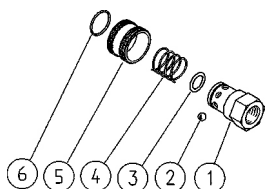


29.0280.20 RG60 Float valve, brass 3/4M Bsp

Pos.	P/N	Description	Q.ty	K1	K2	K3	K4
1	29.0175.31	Nut, 1/2F Bsp brass (1)	1				10
1	29.0188.31	Nut, 3/4F Bsp brass (2)	1				10
2	29.0177.81	Front seal, 19x30x2 mm black (1)	1				10
2	29.0189.81	Front seal, 26x36x2 mm NBR (2)	1				10
3	29.0283.31	Coupling, M18x1M-1/2M Bsp brass (1)	1				3
3	29.0284.31	Coupling, M18x1M-3/4M Bsp brass (2)	1				3
4	29.0282.84	Seat -RG60, POM	1				5
5	29.0281.35	Housing -RG60 brass	1				3
6	10.4021.00	Back-up ring, opn. 11,5x15,9x1,2 mm	2				10
7	29.0287.34	Rod -RG60, brass	1				5
8	29.0170.84	Float valve, PE-HD	1				10
9	11.4520.00	Hex. nut, M 5, brass	1				10
10	16.1870.00	Screw, DIN933 M5x12 mm brass	1				10
11	12.0150.05	Wing nut, M5x10 brass	1				10
12	29.0286.35	Transmission plate, brass	1				3
13	29.0288.31	Shutter pin, brass	1				3
14	29.0285.81	Front seal, 12x4 mm NBR85	1				5
15	11.0549.01	Cotter pin 3x20 mm	1				10

(1) 29.0280.00 (2) 29.0280.20

26.2060.00 ARSU B ball.cpl.-Q-STYLE nzi 1/4F Npt



Pos.	P/N	Description	Q.ty	K1	K2	K3	K4
1	26.2061.31	Housing -ARSU 1/4M Npt brass	1				10
2	14.7405.00	Ball, 5/32" Sst.	8				10
3	10.3171.10	O-ring, 2,62x9,19 mm Vi 70	1				10
4	26.2064.51	Spring, 1,1x18,8x15 mm Sst.	1				25
5	26.2062.31	Ring nut, ARSU brass	1				5
6	26.2063.51	Snap ring, 1x15,5 mm Sst.	1				25

25.0950.11 HL280-025 var.angl.nzl+Hi/Lo set,pink

25.0950.12 HL280-03 var.angl.nzl+Hi/Lo set,wht

25.0950.13 HL280-035 var.angl.nzl+Hi/Lo set,brwn

25.0950.14 HL280-04 var.angl.nzl+Hi/Lo set,d.yell

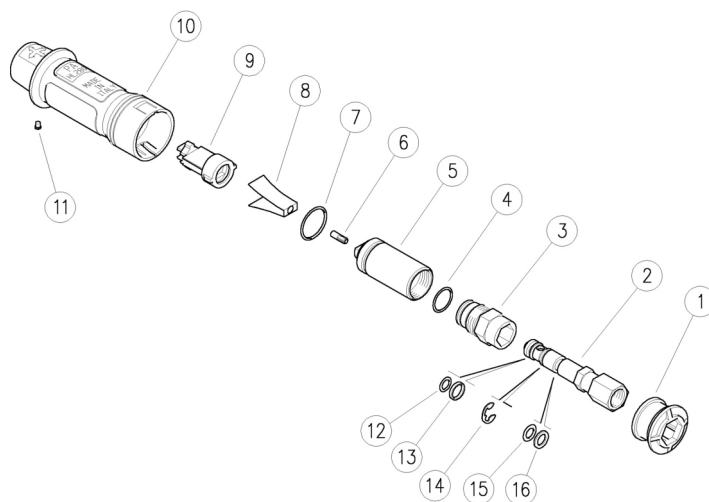
25.0950.15 HL280-045 var.angl.nzl+Hi/Lo set,blue

25.0950.16 HL280-053 var.angl.nzl+Hi/Lo set,l.brw

25.0950.22 HL280-09 var.angl.nzl+Hi/Lo set,gold

25.0950.24 HL280-12 var.angl.nzl+Hi/Lo set,wht/yll

25.0950.50 HL280-05 var.angl.nzl+Hi/Lo set,purpl

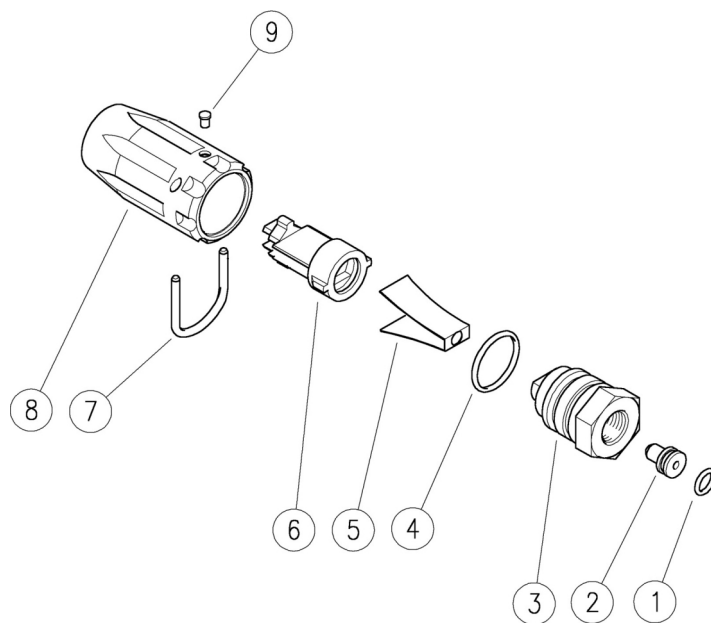


Pos.	P/N	Description	Q.ty	K1	K2	K3	K4		Pos.	P/N	Description	Q.ty	K1	K2	K3	K4	
1	25.0956.84	Lid	1					10	6	25.0958.51	Nozzle, 09 - M4 Sst. gold (1)	1					10
2	25.0953.31	Pin, 1/4F Bsp brass	1					5	6	25.0959.51	Nozzle, 12 - M4 Sst. (2)	1					10
3	25.0955.31	Stem slot	1					5	7	10.3072.00	O-ring, 1,78x20,35 mm	1					10
4	10.3064.01	O-ring, 1,78x14 mm Ni 85	1					10	8	25.1020.53	Sst deflector	1					10
5	25.0954.31	Case	1					5	9	25.0952.84	Deflector housing	1					10
5	25.0957.31	Case, M20x1-4,6 mm (1,2)	1					5	10	25.0951.84	Nozzle knob, black	1					10
6	25.1091.51	Nozzle, 025 - M4 Sst. pink (3)	1					10	11	15.2000.30	Stud, 03 white	1					10
6	25.1092.51	Nozzle, 03 - M4 Sst. white (4)	1					10	12	10.3052.00	O-ring, 1,78x6,75 mm	1					25
6	25.1093.51	Nozzle, 035 - M4 Sst. brown (5)	1					10	13	10.4150.00	Stem seal, 10,2x12,2x2 mm	1					10
6	25.1094.51	Nozzle, 04 - M4 Sst. dark yellow (6)	1					10	14	10.0938.00	Snap ring, A 8	1					10
6	25.1095.51	Nozzle, 045 - M4 Sst. blue (7)	1					10	15	10.3109.92	O-ring, 2,4x7,3 mm	1					10
6	25.1195.51	Nozzle, 05 - M4 Sst. light purple (8)	1					10	16	10.4032.00	Back-up ring, 8x12x1,2 mm	1					10
6	25.1196.51	Nozzle, 053 - M4 Sst. beige (9)	1					10									

(1) 25.0950.22 (2) 25.0950.24 (3) 25.0950.11 (4) 25.0950.12 (5) 25.0950.13 (6) 25.0950.14 (7) 25.0950.15 (8) 25.0950.50 (9) 25.0950.16

25.0900.10 Van-025 var.angle nzl 1/4F Bsp, pink
 25.0900.11 Van-03 var.angle nzl 1/4F Bsp,white
 25.0900.12 Van-035 var.angle nzl 1/4F Bsp,brown
 25.0900.13 Van-04 var.angle nzl 1/4F Bsp,d.yellow
 25.0900.14 Van-045 var.angle nzl 1/4F Bsp,blue
 25.0900.15 Van-055 var.angle nzl 1/4F Bsp,d.red

25.0900.16 Van-06 var.angle nzl 1/4F Bsp,d.green
 25.0900.18 Van-08 var.angle nzl 1/4F Bsp,silver
 25.0900.23 Van-13 var.angle nzl 1/4F Bsp,wht/grn
 25.0900.28 Van-20 var.angle nzl 1/4F Bsp,wht/red
 25.0900.50 Van-05 var.angle nzl 1/4F Bsp,l. purple

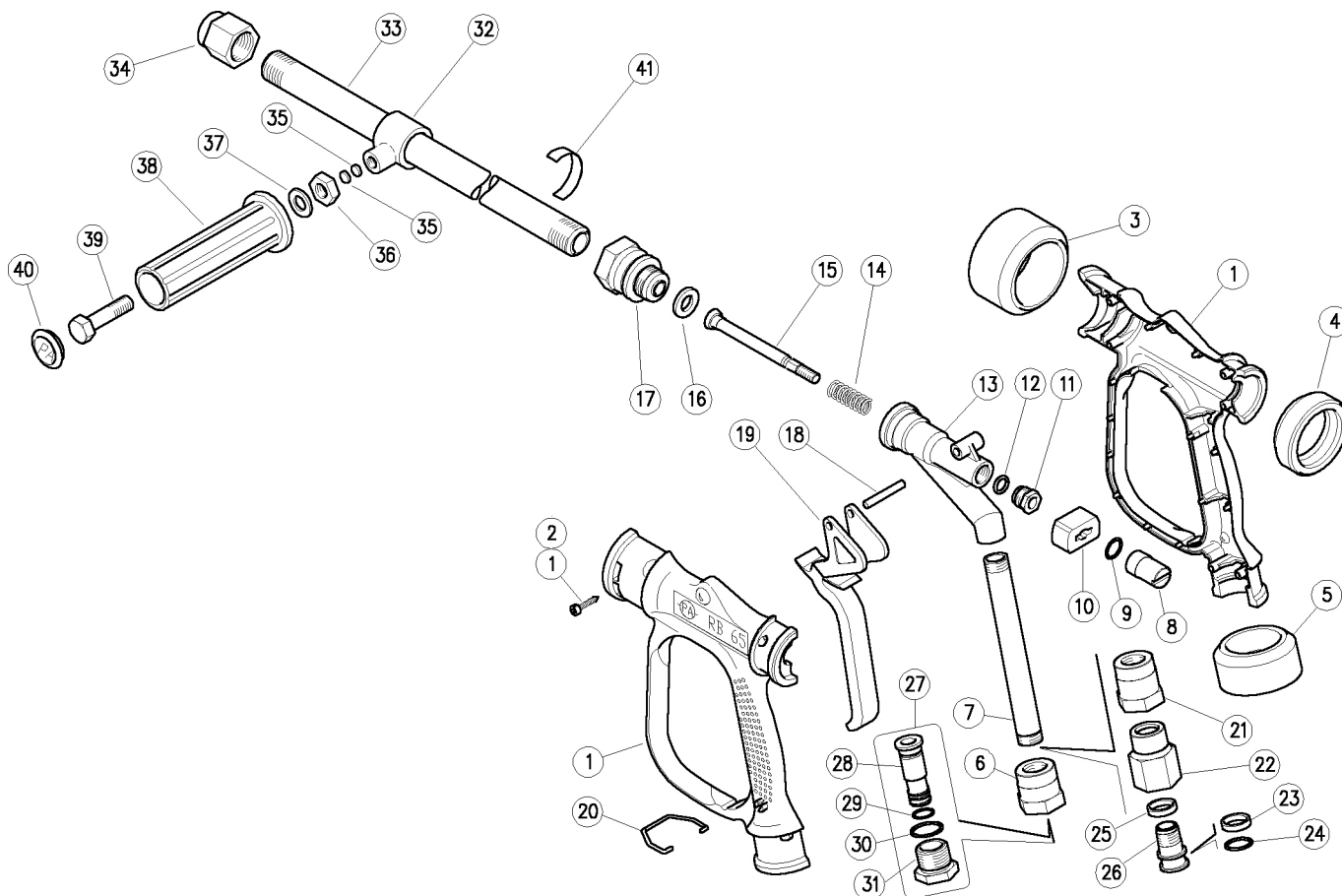


Pos.	P/N	Description	Q.ty	K1	K2	K3	K4		Pos.	P/N	Description	Q.ty	K1	K2	K3	K4	
1	10.3052.00	O-ring, 1,78x6,75 mm	1					25	2	25.0923.51	Nozzle, 13 Sst. + nozzle hold. (10)	1					3
2	25.0910.23	Nozzle, 025 Sst. + nozzle hold. (1)	1					3	2	25.0928.51	Nozzle, 20 Sst. + nozzle hold. (11)	1					3
2	25.0911.23	Nozzle, 03 Sst. + nozzle hold. (2)	1					3	3	25.0904.31	Nozzle case	1					3
2	25.0912.23	Nozzle, 035 Sst. + nozzle hold. (3)	1					3	4	10.3072.00	O-ring, 1,78x20,35 mm	1					10
2	25.0913.23	Nozzle, 04 Sst. + nozzle hold. (4)	1					3	5	25.1020.53	Sst deflector	1					10
2	25.0914.23	Nozzle, 045 Sst. + nozzle hold. (5)	1					3	6	25.0952.84	Deflector housing	1					10
2	25.0917.23	Nozzle, 05 Sst. + nozzle hold. (6)	1					3	7	40.5001.51	Retainer, Sst.	1					10
2	25.0915.23	Nozzle, 055 Sst. + nozzle hold. (7)	1					3	8	25.0901.84	Nozzle knob, black	1					3
2	25.0916.51	Nozzle, 06 Sst. + nozzle hold. (8)	1					3	9	15.2000.25	Stud, 025 pink (1)	1					10
2	25.0918.51	Nozzle, 08 Sst. (9)	1					3									

(1) 25.0900.10 (2) 25.0900.11 (3) 25.0900.12 (4) 25.0900.13 (5) 25.0900.14 (6) 25.0900.50 (7) 25.0900.15 (8) 25.0900.16 (9) 25.0900.18 (10) 25.0900.23 (11) 25.0900.28

30.6450.00 RB65 sp.gun, on/off, brass 1/2FF -100l/min
 30.6453.00 RB65 sp.gun, on/off, brass+sw5 1/2FF 100

30.6456.40 Lan,sst.RB65 1/2MF Bsp 400mm grip+cpl
 30.6456.80 Lan,sst.RB65 1/2MF Bsp 800mm grip+cpl



Pos.	P/N	Description	Q.ty	K1	K2	K3	K4		Pos.	P/N	Description	Q.ty	K1	K2	K3	K4	
1	30.6446.24	Casing-kit -RB65-100L +scr. Sst.	1					1	22	30.6427.31	Coupl. -SW, 1/2F Bsp (1)	1					5
2	16.3075.51	S/tapping screw, DIN7981 3,5x18 mm Sst.	6					10	23	26.1075.85	Bushing, open 15,5x19x4 mm PTFE (1)	1					5
3	30.6412.84	Front guard ring, TPEs blue	1					5	24	10.3092.10	O-ring, 2x15 mm Vi 70 (1)	1					10
4	30.6413.84	Back guard ring, TPEs blue	1					5	25	26.1074.85	Bushing, 15,5x19x4 mm PTFE (1)	1					5
5	30.6414.84	Lower guard ring, TPEs blue	1					5	26	26.1072.31	Pin, M15x1-19 mm brass (1)	1					10
6	30.6407.31	Coupl., M16x1,5F-1/2F Bsp brass	1					3	27	30.6430.00	Swivel, brass -RB65+13mm h.barb **	1					10
7	30.6409.36	Tube, M16x1,5 FF 130 mm brass	1					5	28	30.6431.31	13mm hose barb, brass	1					3
8	30.6418.31	Regulating pin, M7	1					5	29	10.3060.00	O-ring, 1,78x12,42 mm	1					10
9	10.3091.10	O-ring, 2x14 mm Vi 70	1		•	•		10	30	10.3092.90	O-ring, 2x19 mm	1					10
10	30.6443.84	Sliding block, PA red	1					5	31	30.6432.31	Coupl. -SW, 1/2M Bsp brass	1					3
11	30.6417.31	Plug, M14x1 M brass	1					5	32	30.5017.35	Tube fastener, 1/2" Bsp (2)	1					5
12	10.3170.10	O-ring, 2,62x7,6 mm Vi 70	1		•	•		10	33	30.6447.56	Tube, 1/2Bsp FF 796 mm Sst. (3)	1					1
13	30.6405.35	Housing -RB65, brass	1					3	33	30.6458.56	Tube, 1/2Bsp FF 398 mm Sst. (2)	1					1
14	30.6454.51	Spring, 2x12,9x40 mm Sst.	1		•			5	34	30.6457.31	Nozzle holder, 1/2Bsp FF (2)	1					3
15	30.6452.31	Piston -RB65 on/off, brass	1		•			5	35	13.5305.00	Plate, 8x1,5 mm Cu (2)	2					10
16	30.6408.85	Front seal, 11x20,5x3 mm FKM80	1		•	•		10	36	11.4627.50	Hex. nut, M10, Sst. (2,3)	1					10
17	30.6451.31	Front coupl. -RB65 on/off, 1/2F Bsp brs	1					1	37	14.3799.51	Sst 10x21 mm washer (2,3)	1					5
18	30.6428.31	Parallel pin, 5x38 mm brass	1					5	38	41.0054.84	Knob, 32x115 mm PP blue (2,3)	1					5
19	30.6444.84	Trigger -RB65, PA red	1					5	39	16.2032.35	Sst. screw, DIN933 M10x35 mm (2,3)	1					5
20	30.6415.51	Trigger retainer, Sst.	1					5	40	30.6478.84	Plug, Knob PP blue (2,3)	1					5
21	30.6426.31	Coupl. -SW, M15x1F-M16x1,5F (1)	1					3	41	15.3814.00	Label "2,4MPa Tubo inox - PA"	1					1

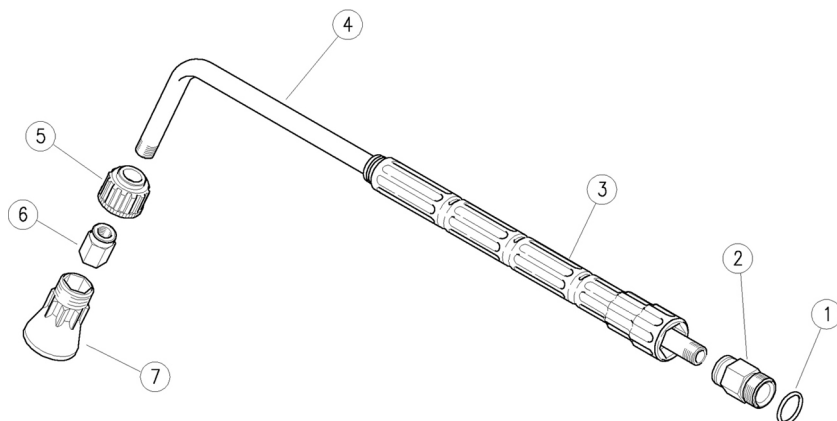
** On request

Kit	P/N	Description	
K1	30.6422.24	Seals spares kit -RB65, 3x1pcs.	1
K2	30.6459.24	Repair kit -RB65 on/off, 5x1pcs.	1

(1) 30.6453.00 (2) 30.6456.40 (3) 30.6456.80

40.0054.00 Extn,z.pl,u/body,90°,500mm+nzl/hold+prot
 40.0058.00 Extn,z.pl,u/body,90°,700mm+nzl/hold+prot

40.5176.50 Extn,z.pl,u/bdy,90°,700mm+nzl/hold+prot



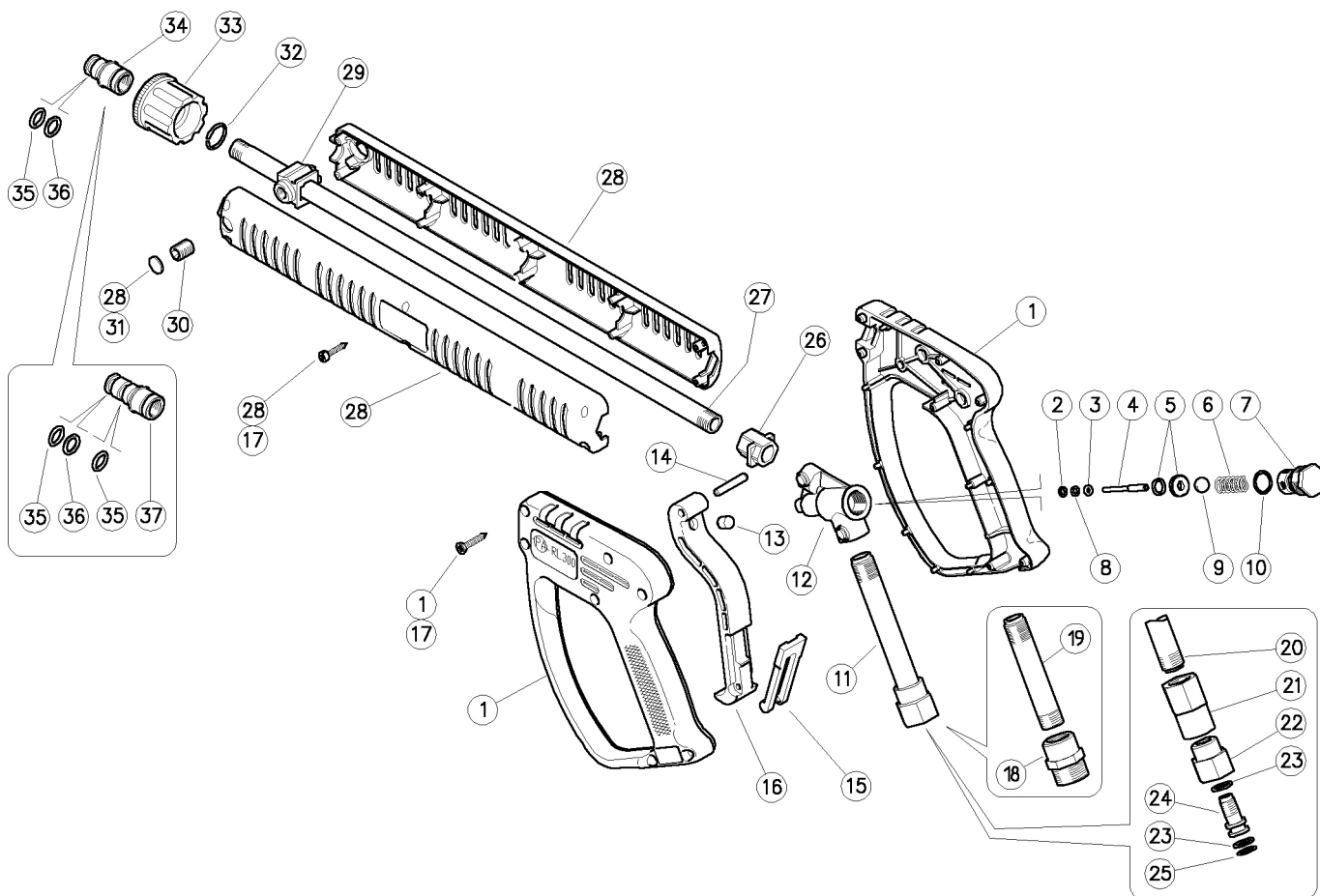
Pos.	P/N	Description	Q.ty	K1	K2	K3	K4
1	10.3182.00	O-ring, 2,62x17,96 mm	1				10
2	26.0002.31	AR1 A M22 screw-typ.nipp.1/4F Bsp	1				25
2	26.0283.31	Nipple, A M22-1/4F Bsp +2 Or (1)	1				10
3	41.2031.84	Lance grip -PL4, 285mm	1				10
4	40.5055.66	Tube,z.pl.500mm stra.1/4MM Bsp (2)	1				50

Pos.	P/N	Description	Q.ty	K1	K2	K3	K4
4	40.5702.66	Tube, z.pl. 700mm straight 1/4MM Bsp	1				25
5	40.0003.84	Ring nut, 24TpN3 PA black	1				10
6	40.0007.61	Nozzle holder, 1/4F Bsp-1/4F Npt z.pl.	1				10
6	40.0009.61	Nozzle holder, 1/4F Bsp-1/8F Npt z.pl. (1)	1				10
7	40.0004.85	Nozzle protection, TPEs black	1				10

(1) 40.5176.50 (2) 40.0054.00

30.2600.11 RL300 gun 3/8M Bsp+S3 370mm,z.pl+AR5/4
 30.2601.11 RL300 gun 3/8F Bsp+S3 370mm,z.pl+AR5/4
 30.2606.11 RL300 gun 3/8M Bsp+S3 370mm,sst+AR5/4

30.2607.11 RL300 spr.gun+sw.6+S3 370mm,sst+AR5/4 B
 30.2608.11 RL300 spr.gun 3/8M Bsp+S3,z.pl+AR1/4 B



Pos.	P/N	Description	Q.ty	K1	K2	K3	K4		Pos.	P/N	Description	Q.ty	K1	K2	K3	K4	
1	30.2501.24	Casing-kit -RL30 +screws, Sst.	1					1	20	30.2547.36	Tube, M15 MM 103mm brass (2)	1					5
2	10.4018.00	Back-up ring, 3,2x7,5x1,2 mm	1					10	21	30.2546.31	Adapt., M15F-M10x1F brass (2)	1					5
3	14.3511.00	Washer, 3,2x7x0,5 mm sst.	1					10	22	30.2019.31	Coupl., 3/8F Bsp brass (2)	1					5
4	30.2516.51	Piston, 3 mm Sst.	1					10	23	10.4010.01	Back-up ring,10,2x13,9x1,2mm (2)	2					50
5	30.1708.20	Seat, 6mm Sst.+O-ring 1,78mm NBR85	1					10	24	30.2017.51	Pin, SW M10x1 M Sst. (2)	1					5
6	30.2596.51	Spring, 1,5x6,1x23 mm Sst.	1					10	25	10.3171.10	O-ring, 2,62x9,19 mm Vi 70 (2)	1					10
7	30.2595.31	Spring plug, M16x1 brass	1					10	26	30.4554.84	Gun outlet adapter, PA black	1					5
8	10.3165.00	O-ring, 2,62x2,84 mm Vi 70	1					10	27	30.2603.66	Tube, 1/4Bsp MM 430mm z.pl.	1					5
9	14.7448.00	Ball, 5/16" Sst.	1					10	27	30.2605.56	Tube, 1/4Bsp MM 430mm Sst. (3)	1					3
10	10.3020.02	O-ring, 1,5x10 mm Ni 85	1					10	28	40.0308.24	Casing-kit -S3, black+screws+Lance Plug	1					1
11	30.2533.35	Back tube, 3/8F Bsp brass (1)	1					5	29	40.0304.84	Tube fastener, plast.	1					25
12	30.2597.35	Housing -RL30, brass	1					5	30	16.2230.00	Set screw, DIN916 M10x8 mm z.pl.	1					10
13	30.0675.84	Stop pin, 8x7,1mm PA	1					10	31	40.0303.84	Lance Plug, PA black	1					10
14	30.2517.31	Parallel pin, 5x27,5 mm brass	1					10	32	26.0252.51	Snap ring, 1,5x15,5 mm Sst.	1					10
15	30.1510.84	Safety latch, PA red	1					10	33	26.0221.22	Hand nut -AR4, M22x1,5 17,5mm black	1					10
16	30.2506.84	Trigger -RL31, PA black	1					10	34	26.0261.31	Plug, 14mm-1/4F Bsp brass (4)	1					10
17	16.3077.00	S/tapping screw, DIN7981 3,5x18 mm	13					10	35	10.3109.95	O-ring, 2,4x9,3 mm Vi 70	1 - 2					25
18	30.2524.31	Coupl., 3/8M Bsp brass	1					5	36	10.4010.01	Back-up ring,10,2x13,9x1,2mm	1					50
19	30.1011.36	Tube, M15 127 mm brass	1					5	37	26.1038.31	Plug +2 O-rings, 14mm-1/4F Bsp brass (5)	1					10

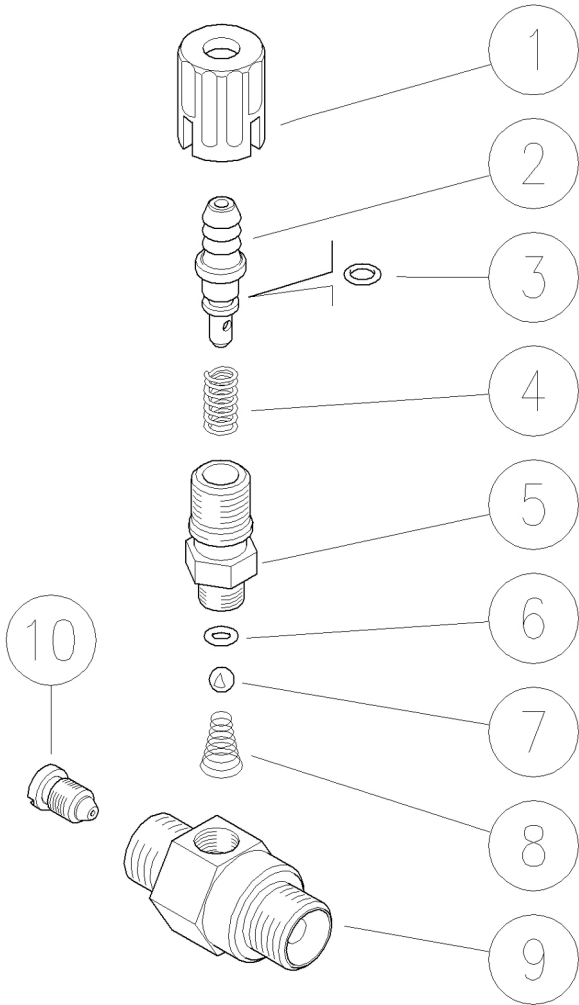
(1) 30.2601.11 (2) 30.2607.11 (3) 30.2606.11 (4) 30.2608.11 (5) 30.2600.11

21.0154.15 Injector,adjustable 3/8MM Npt 1,5mm nzl

21.0154.18 Injector,adjust. 3/8MM Npt 1,8mm nzl

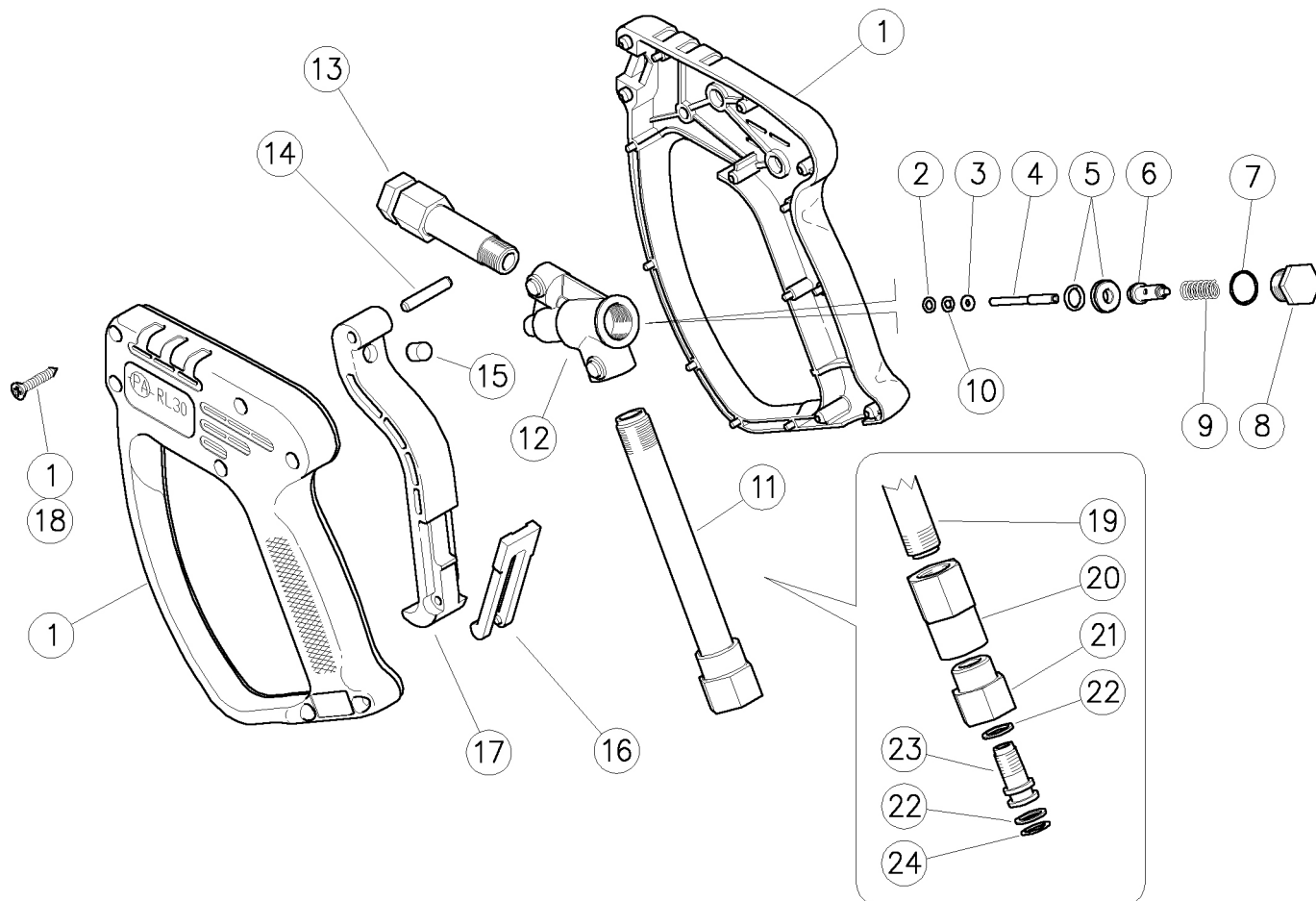
21.0154.21 Injector,adjust. 3/8MM Npt 2,1mm nzl

21.0154.23 Injector,adjust.,3/8MM Npt 2,3mm nzl



Pos.	P/N	Description	Q.ty	K1	K2	K3	K4	
1	21.0171.84	Inject.knob, 1/4F Bsp black	1					10
2	21.0155.99	Hose barb, d.8 mm brass+o-ring	1					3
3	10.3043.01	O-ring, 1,78x4,48 mm Vi 70	1					10
4	21.0158.51	Spring, 0,8x7x15 mm Sst.	1					10
5	21.0173.31	Coupling, M12x1-1/4M Bsp brass	1					10
6	10.3049.00	O-ring, 1,78x5,28 mm Vi 70	1					10
7	14.7420.01	Ball, 7/32" Sst. Aisi 316	1					10
8	21.0160.51	Tapered spring, Sst. -inject.	1					10
9	21.0169.31	Inject.housing, 3/8MM Npt brass	1					5
10	21.0006.51	Nozzle, M8x1 - 1,2 mm Sst.	1					10
10	21.0007.51	Nozzle, M8x1 - 1,5 mm Sst.	1					10
10	21.0002.51	Nozzle, M8x1 - 1,8 mm Sst. (1)	1					10
10	21.0004.51	Nozzle, M8x1 - 2,1 mm Sst. (2)	1					10
10	21.0157.51	Nozzle, M8x1 - 2,3 mm Sst. (3)	1					10

(1) 21.0154.18 (2) 21.0154.21 (3) 21.0154.23



Pos.	P/N	Description	Q.ty	K1	K2	K3	K4	
1	30.2501.24	Casing-kit -RL30 +screws, Sst.	1					1
2	10.4018.00	Back-up ring, 3,2x7,5x1,2 mm	1	•	•			10
3	14.3511.00	Washer, 3,2x7x0,5 mm sst.	1					10
4	30.2516.51	Piston, 3 mm Sst.	1	•	•			10
5	30.1708.20	Seat, 6mm Sst.+O-ring 1,78mm NBR85	1	•	•			10
6	30.1762.21	Shutter, complete	1	•	•			5
7	10.3005.00	O-ring, 1x10 mm Ni 85	1	•	•			10
8	30.2614.31	Plug, M16x1 M brass	1					5
9	30.1764.51	Spring, 1,3x9,1x24 mm Sst.	1					25
10	10.3165.00	O-ring, 2,62x2,84 mm Vi 70	1	•	•			10
11	30.2533.35	Back tube, 3/8F Bsp brass (1)	1					5
12	30.2597.35	Housing -RL30, brass	1					5

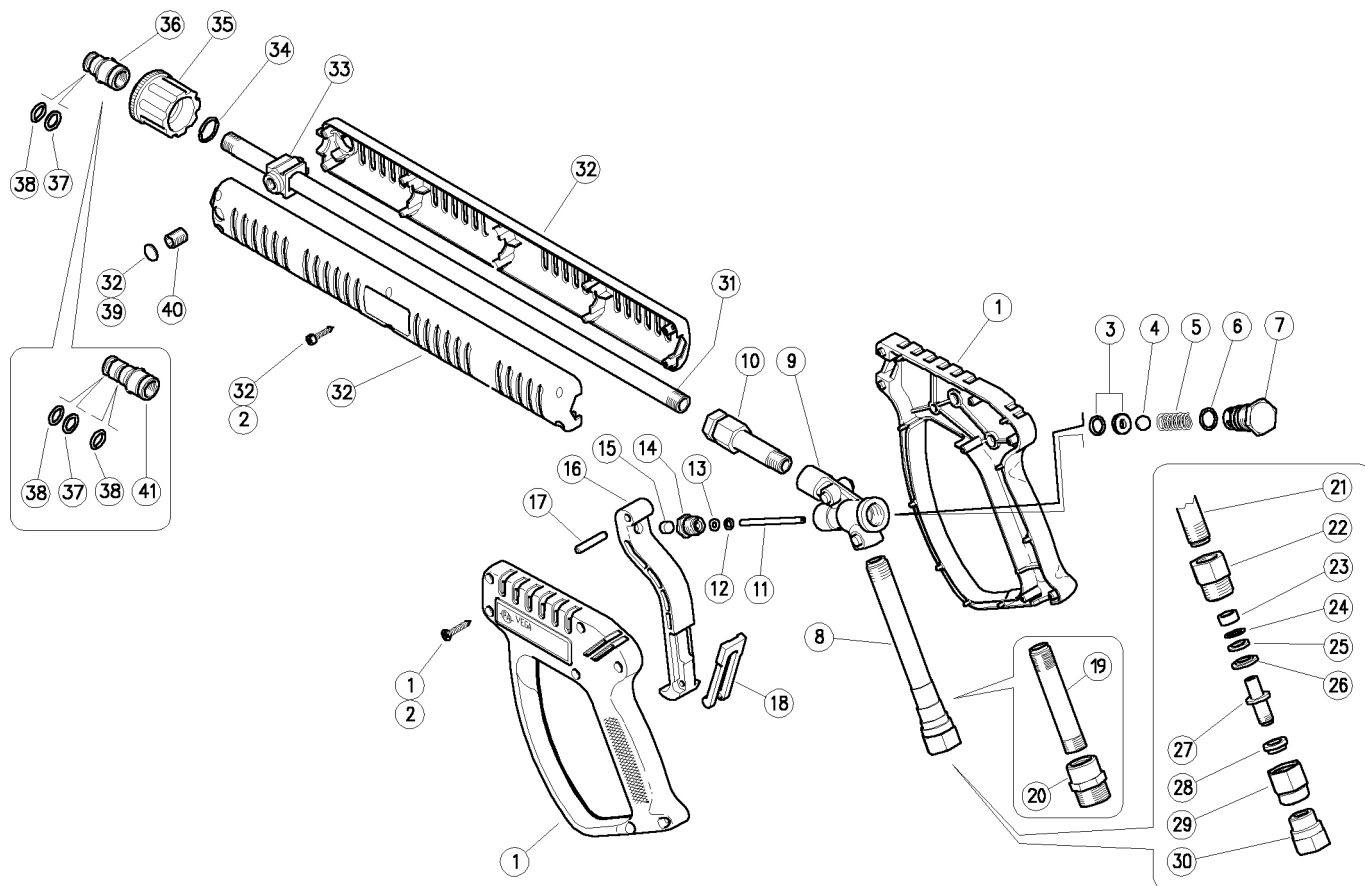
Pos.	P/N	Description	Q.ty	K1	K2	K3	K4	
13	30.2006.35	Front tube, 1/4F Bsp 72 mm brass	1					5
14	30.2517.31	Parallel pin, 5x27,5 mm brass	1					10
15	30.0675.84	Stop pin, 8x7,1mm PA	1					10
16	30.2599.84	Safety latch, PA green	1					10
17	30.2506.84	Trigger -RL31, PA black	1					10
18	16.3075.51	S/tapping screw, DIN7981 3,5x18 mm Sst.	7					10
19	30.2547.36	Tube, M15 MM 103mm brass (2)	1					5
20	30.2546.31	Adapt., M15F-M10x1F brass	1					5
21	30.2019.31	Coupl., 3/8F Bsp brass	1					5
22	10.4010.01	Back-up ring,10,2x13,9x1,2mm	2	•				50
23	30.2017.51	Pin, SW M10x1 M Sst.	1					5
24	10.3171.10	O-ring, 2,62x9,19 mm Vi 70	1	•				10

Kit	P/N	Description	
K1	30.2628.24	Spares kit -RL30, weep LP+sw, 8x1pcs.	1
K2	30.2629.24	Spares kit -RL30, weep LP+sw, 6x1pcs.	1

(1) 30.2580.05 (2) 30.2625.05

30.2083.00 Vega spr.gun+sw8 3/8M Bsp+S3,sst+AR5/4
 30.2091.00 Vega gun 3/8F Bsp+S3 370mm,sst+AR5/4 B

30.2097.00 Vega gun 3/8F Bsp+S3 370mm,z.pl+AR5/4 B
 30.2098.00 Vega gun 3/8M Bsp+S3 370mm,z.pl+AR5/4 B

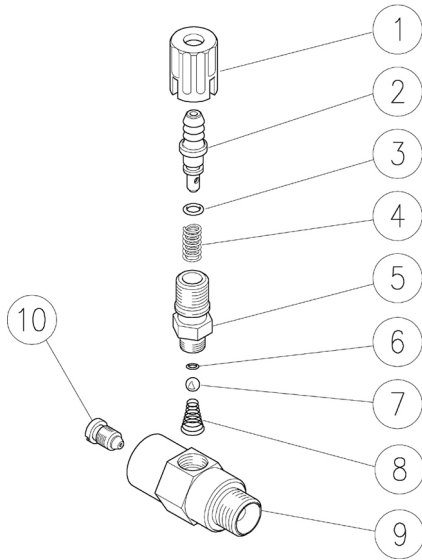


Pos.	P/N	Description	Q.ty	K1	K2	K3	K4	
1	30.2026.24	Casing-kit -VEGA +screws	1					1
2	16.3077.00	S/tapping screw, DIN7981 3,5x18 mm	13					10
3	30.2014.20	Seat, 6mm Sst.+O-ring 1,78mm	1	•				10
4	14.7443.10	Ball, 11/32" Sst.	1	•				10
5	30.2003.51	Spring, 1,6x7x22 mm Sst.	1					10
6	10.3060.01	O-ring, 1,78x12,42 mm Ni 85	1	•				10
7	30.2004.31	Spring holder, M18x1 brass	1					5
8	30.2533.35	Back tube, 3/8F Bsp brass	1					5
9	30.2005.35	Housing -VEGA, brass	1					3
10	30.2006.35	Front tube, 1/4F Bsp 72 mm brass	1					5
11	30.2007.51	Piston, 3 mm Sst.	1	•				10
12	10.3165.00	O-ring, 2,62x2,84 mm Vi 70	1	•				10
13	10.4018.00	Back-up ring, 3,2x7,5x1,2 mm	1	•				10
14	30.4115.31	Front Plug, M10x1 brass	1					10
15	30.0675.84	Stop pin, 8x7,1mm PA	1					10
16	30.2506.84	Trigger -RL31, PA black	1					10
17	30.2517.31	Parallel pin, 5x27,5 mm brass	1					10
18	30.1510.84	Safety latch, PA red	1					10
20	30.2525.31	Coupl., A M22x1,5 brass	1					5
21	30.2532.36	Tube, M15 94 mm brass	1					10
22	30.2531.31	Coupl., M20x1 M brass	1					5
23	30.0728.84	Bushing, 9x13x6 mm plast. black	1					10
24	10.3109.93	O-ring, 2,4x8,3 mm Vi 70	1					10
25	10.4008.50	Back-up ring, 9x13,2x1,2 mm	1					10
26	30.0729.31	Spacer ring, 9x19x3 mm brass	1					10
27	30.1553.31	Pin -SW, M10x1,25 M brass	1					5
28	30.0730.84	Bushing, 10x17x6 mm plast. black	1					10
29	30.0733.31	Nipple, M20x1 F brass	1					5
30	30.3066.31	Coupl., M10x1,25F-3/8M Bsp c/sunk brs. (1)	1					5
31	40.0002.56	Tube, 1/4Bsp MM 367mm Sst.	1					5
32	40.0310.66	Tube, 1/4Bsp MM 367mm z.pl. (2)	1					1
33	40.0308.24	Casing-kit -S3, black+screws+Lance Plug	1					1
34	40.0304.84	Tube fastener, plast.	1					25
35	26.0252.51	Snap ring, 1,5x15,5 mm Sst.	1					10
36	26.0261.31	Plug, 14mm-1/4F Bsp brass	1					10
37	10.4010.01	Back-up ring,10,2x13,9x1,2mm	1					50
38	10.3109.95	O-ring, 2,4x9,3 mm Vi 70	1-2					25
39	40.0303.84	Lance Plug, PA black	1					10
40	16.2230.00	Set screw, DIN916 M10x8 mm z.pl.	1					10
41	26.1038.31	Plug +2 O-rings, 14mm-1/4F Bsp brass	1					10

Kit	P/N	Description	
K1	30.2031.24	Spares kit -VEGA, 7x1pcs.	1

(1) 30.2083.00 (2) 30.2097.00

21.0170.15 Injector,adjustable 3/8FM Bsp 1,5mm nzl
21.0170.18 Injector,adjustable 3/8FM Bsp 1,8mm nzl

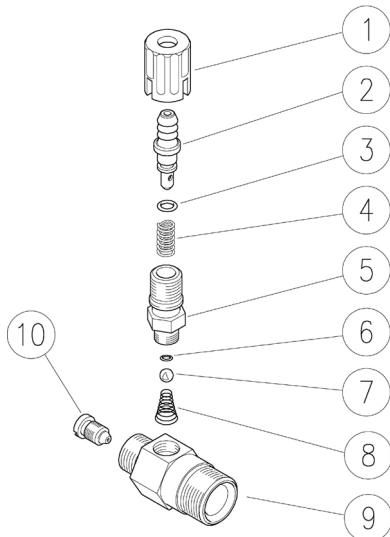


21.0170.21 Injector,adjustable 3/8FM Bsp 2,1mm nzl
21.0170.23 Injector,adjustable 3/8FM Bsp 2,3mm nzl

Pos.	P/N	Description	Q.ty	K1	K2	K3	K4	
1	21.0171.84	Inject.knob, 1/4F Bsp black	1					10
2	21.0155.99	Hose barb, d.8 mm brass+o-ring	1					3
3	10.3043.01	O-ring, 1,78x4,48 mm Vi 70	1					10
4	21.0158.51	Spring, 0,8x7x15 mm Sst.	1					10
5	21.0173.31	Coupling, M12x1-1/4M Bsp brass	1					10
6	10.3049.00	O-ring, 1,78x5,28 mm Vi 70	1					10
7	14.7420.01	Ball, 7/32" Sst. Aisi 316	1					10
8	21.0160.51	Tapered spring, Sst. -inject.	1					10
9	21.0163.31	Inject.housing, 3/8FM Bsp brass	1					3
10	21.0007.51	Nozzle, M8x1 - 1,5 mm Sst. (1)	1					10
10	21.0002.51	Nozzle, M8x1 - 1,8 mm Sst. (2)	1					10
10	21.0004.51	Nozzle, M8x1 - 2,1 mm Sst. (3)	1					10
10	21.0157.51	Nozzle, M8x1 - 2,3 mm Sst. (4)	1					10

(1) 21.0170.15 (2) 21.0170.18 (3) 21.0170.21 (4) 21.0170.23

21.0180.18 Injector,adjust. 3/8M Bsp-M22 1,8mm nzl
21.0180.21 Injector,adjust.,3/8M Bsp-M22 2,1mm nzl

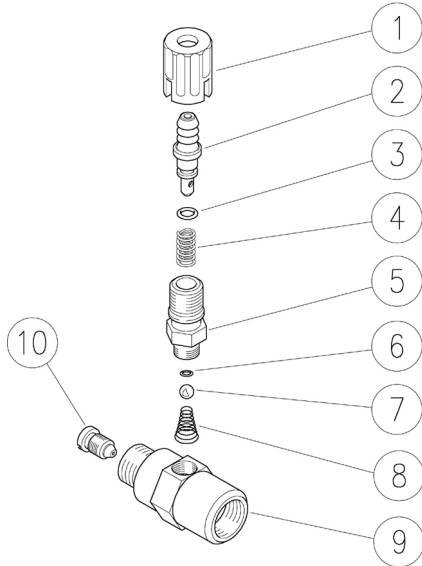


21.0180.23 Injector,adjust. 3/8M Bsp-M22 2,3mm nzl

Pos.	P/N	Description	Q.ty	K1	K2	K3	K4	
1	21.0171.84	Inject.knob, 1/4F Bsp black	1					10
2	21.0155.99	Hose barb, d.8 mm brass+o-ring	1					3
3	10.3043.01	O-ring, 1,78x4,48 mm Vi 70	1					10
4	21.0158.51	Spring, 0,8x7x15 mm Sst.	1					10
5	21.0173.31	Coupling, M12x1-1/4M Bsp brass	1					10
6	10.3049.00	O-ring, 1,78x5,28 mm Vi 70	1					10
7	14.7420.01	Ball, 7/32" Sst. Aisi 316	1					10
8	21.0160.51	Tapered spring, Sst. -inject.	1					10
9	21.0166.31	Inject.housing, 3/8M Bsp-M22x1,5 M brs.	1					3
10	21.0007.51	Nozzle, M8x1 - 1,5 mm Sst.	1					10
10	21.0002.51	Nozzle, M8x1 - 1,8 mm Sst. (1)	1					10
10	21.0004.51	Nozzle, M8x1 - 2,1 mm Sst. (2)	1					10
10	21.0157.51	Nozzle, M8x1 - 2,3 mm Sst. (3)	1					10

(1) 21.0180.18 (2) 21.0180.21 (3) 21.0180.23

- 21.0175.00 Injector,adjustable 3/8MF Bsp w/o nozzle
- 21.0175.18 Injector,adjustable 3/8MF Bsp 1,8mm nzl
- 21.0175.21 Injector,adjustable 3/8MF Bsp 2,1mm nzl

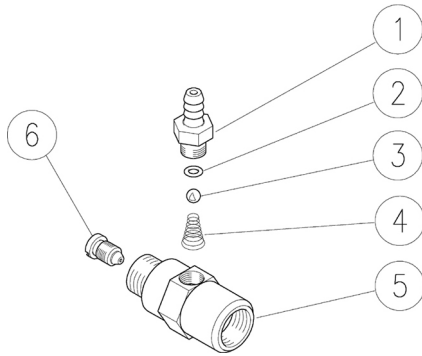


- 21.0175.23 Injector,adjustable 3/8MF Bsp 2,3mm nzl
- 21.0175.25 Injector,adjustable,3/8MF Bsp 2,5mm nzl
- 21.0175.27 Injector,adjustable 3/8MF Bsp 2,7mm nzl

Pos.	P/N	Description	Q.ty	K1	K2	K3	K4	
1	21.0171.84	Inject.knob, 1/4F Bsp black	1					10
2	21.0155.99	Hose barb, d.8 mm brass+o-ring	1					3
3	10.3043.01	O-ring, 1,78x4,48 mm Vi 70	1					10
4	21.0158.51	Spring, 0,8x7x15 mm Sst.	1					10
5	21.0173.31	Coupling, M12x1-1/4M Bsp brass	1					10
6	10.3049.00	O-ring, 1,78x5,28 mm Vi 70	1					10
7	14.7420.01	Ball, 7/32" Sst. Aisi 316	1					10
8	21.0160.51	Tapered spring, Sst. -inject.	1					10
9	21.0198.31	Inject.housing, 3/8MM Bsp brass	1					1
10	21.0007.51	Nozzle, M8x1 - 1,5 mm Sst.	1					10
10	21.0002.51	Nozzle, M8x1 - 1,8 mm Sst. (1)	1					10
10	21.0004.51	Nozzle, M8x1 - 2,1 mm Sst. (2)	1					10
10	21.0157.51	Nozzle, M8x1 - 2,3 mm Sst. (3)	1					10
10	21.0009.51	Nozzle, M8x1 - 2,5 mm Sst. (4)	1					10
10	21.0005.51	Nozzle, M8x1 - 2,7 mm Sst. (5)	1					10

(1) 21.0175.18 (2) 21.0175.21 (3) 21.0175.23 (4) 21.0175.25 (5) 21.0175.27

- 21.0020.18 Inject.,fix.,3/8MF Bsp 1,8mm nzl
- 21.0020.21 Inject.,fix.,3/8MF Bsp 2,1mm nzl



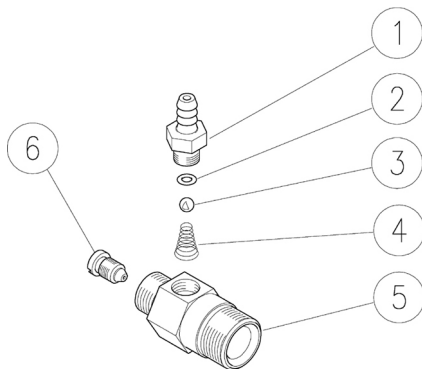
- 21.0020.23 Inject.,fix.,3/8MF Bsp 2,3mm nzl

Pos.	P/N	Description	Q.ty	K1	K2	K3	K4	
1	21.0003.31	Hose barb, 8 - M12x1 mm brass	1					10
2	10.3049.00	O-ring, 1,78x5,28 mm Vi 70	1	•				10
3	14.7420.01	Ball, 7/32" Sst. Aisi 316	1	•				10
4	21.0160.51	Tapered spring, Sst. -inject.	1	•				10
5	21.0198.31	Inject.housing, 3/8MM Bsp brass	1					1
6	21.0006.51	Nozzle, M8x1 - 1,2 mm Sst.	1					10
6	21.0007.51	Nozzle, M8x1 - 1,5 mm Sst.	1					10
6	21.0002.51	Nozzle, M8x1 - 1,8 mm Sst. (1)	1					10
6	21.0004.51	Nozzle, M8x1 - 2,1 mm Sst. (2)	1					10
6	21.0157.51	Nozzle, M8x1 - 2,3 mm Sst. (3)	1					10

Kit	P/N	Description	
K1	21.0010.24	Spares kit -fix.inject. 3x10 pcs.	1

(1) 21.0020.18 (2) 21.0020.21 (3) 21.0020.23

- 21.0030.18 Inject.,fix.,3/8M Bsp-M22 1,8mm nzl
- 21.0030.21 Inject.,fix.,3/8M Bsp-M22 2,1mm nzl



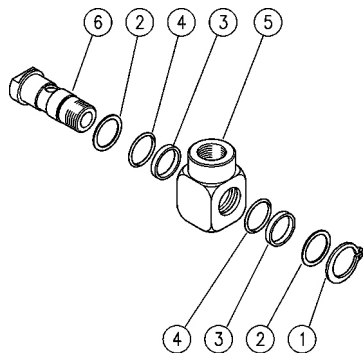
- 21.0030.23 Inject.,fix.,3/8M Bsp-M22 2,3mm nzl

Pos.	P/N	Description	Q.ty	K1	K2	K3	K4	
1	21.0003.31	Hose barb, 8 - M12x1 mm brass	1					10
2	10.3049.00	O-ring, 1,78x5,28 mm Vi 70	1	•				10
3	14.7420.01	Ball, 7/32" Sst. Aisi 316	1	•				10
4	21.0160.51	Tapered spring, Sst. -inject.	1	•				10
5	21.0166.31	Inject.housing, 3/8M Bsp-M22x1,5 M brs.	1					3
6	21.0006.51	Nozzle, M8x1 - 1,2 mm Sst.	1					10
6	21.0007.51	Nozzle, M8x1 - 1,5 mm Sst.	1					10
6	21.0002.51	Nozzle, M8x1 - 1,8 mm Sst. (1)	1					10
6	21.0004.51	Nozzle, M8x1 - 2,1 mm Sst. (2)	1					10
6	21.0157.51	Nozzle, M8x1 - 2,3 mm Sst. (3)	1					10

Kit	P/N	Description	
K1	21.0010.24	Spares kit -fix.inject. 3x10 pcs.	1

(1) 21.0030.18 (2) 21.0030.21 (3) 21.0030.23

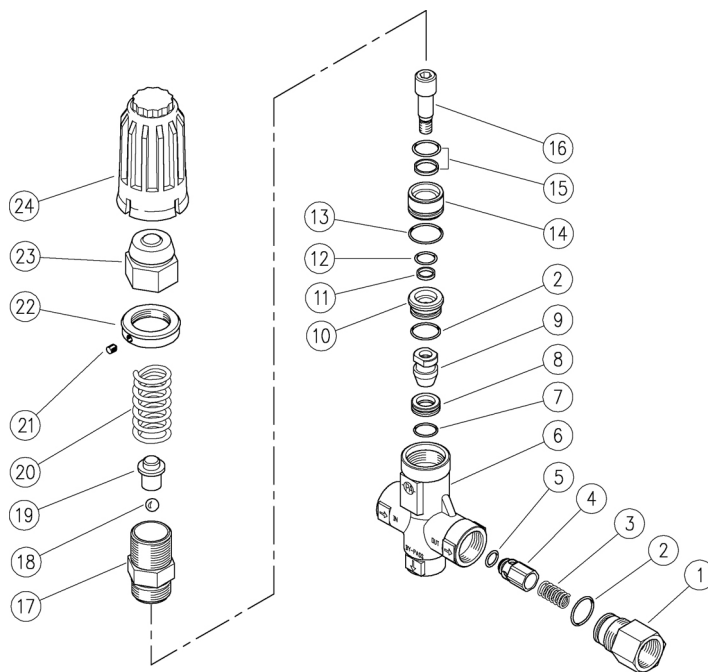
26.1320.00 SW90 Swivel 90°, sst, 1/2 MF Bsp



Pos.	P/N	Description	Q.ty	K1	K2	K3	K4	
1	10.1020.05	Snap ring, E 20 Sst.	1					10
2	14.4060.22	Washer, 22,3x28x1 mm Sst.	2	•				10
3	10.2067.00	Seal ring, 22x25,5x4,1 mm	2	•				10
4	10.3242.10	O-ring, 3,53x23,4 mm Vi 70	2	•				10
5	26.1321.51	Housing -SW90, 1/2F Bsp Sst.	1					2
6	26.1322.51	Pierced screw, 1/2M Bsp Sst.	1					3

Kit	P/N	Description	
K1	26.1325.24	Spares kit -Sw90,-Sst. 3x1pcs.	1

60.1400.00 VB23 unload. 1/2F Bsp Ai303

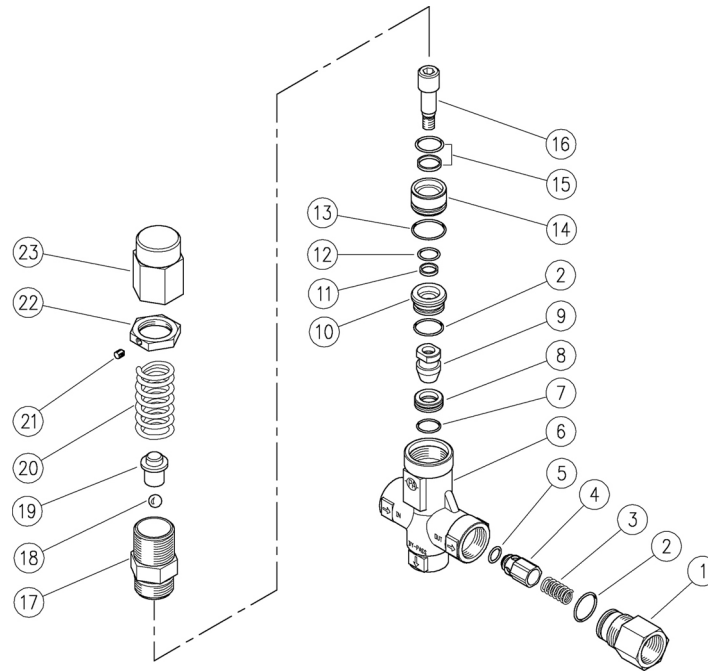


Pos.	P/N	Description	Q.ty	K1	K2	K3	K4	
1	60.1404.51	Shutter coupl., 1/2F Bsp Sst.	1					3
2	10.3068.10	O-ring, 1,78x17,17 mm Vi 70	2	•				10
3	60.1403.60	Spring, 0,8x10,7x23 mm aisi316 Sst.	1					10
4	60.1402.51	Shutter pin, Sst.	1					3
5	10.3230.10	O-ring, 3,53x7,52 mm Vi 70	1	•				10
6	60.1401.55	Sst VB23/43 body	1					1
7	10.3066.10	O-ring, 1,78x15,6 mm Vi 70	1	•				10
8	60.1809.51	Seat, 11,6x19x6 mm Sst.	1	•				5
9	60.1808.51	Shutter pin, M8 Sst.	1	•				3
10	60.1410.51	Spacer ring, 10x23,4x10,5 mm Sst.	1					3
11	10.4022.00	Back-up ring, 10x12x2 mm	1	•				5
12	10.3059.10	O-ring, 1,78x11,11 mm Vi 70	1	•				10
13	10.3072.10	O-ring, 1,78x20,35 mm Vi 70	1	•				10
14	60.1409.51	Spacer ring, 10,3x23,5x17,5 mm Sst.	1					3
15	10.2029.00	Stem seal, 14x19x2,2 mm +O-ring	1	•				4
16	60.1411.51	Piston, M8 Sst.	1					3
17	60.1406.51	Piston holder, Sst.	1					5
18	14.7443.10	Ball, 11/32" Sst.	1					10
19	60.1405.31	Spring rest pin, brass	1					10
20	60.0975.61	Spring, 4,2x19,7x42 mm z.pl.	1					10
21	16.2100.00	Set screw, DIN914 M4x4 mm	1					10
22	60.1728.31	Ring nut, M27x1 brass	1					3
23	60.1727.31	Valve regulating insert, brass	1					5
24	60.1726.84	Valve regulating knob, PA black	1					10

Kit	P/N	Description	
K1	60.1414.24	Spares kit -VB23, 9x1pcs.	1

60.1450.00 VB43 unload. 1/2F Bsp Ai303

60.1470.00 VB53 unload. 1/2F Bsp Ai303



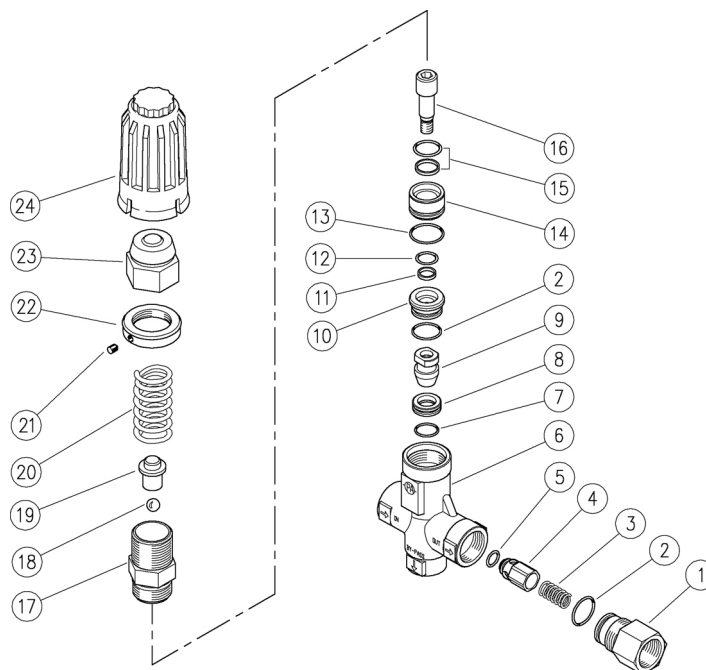
Pos.	P/N	Description	Q.ty	K1	K2	K3	K4	
1	60.1404.51	Shutter coupl., 1/2F Bsp Sst.	1					3
2	10.3068.01	O-ring, 1,78x17,17 mm Ni 85	2	•				10
3	60.1403.60	Spring, 0,8x10,7x23 mm aisi316 Sst.	1					10
4	60.1402.51	Shutter pin, Sst.	1					3
5	10.3230.01	O-ring, 3,53x7,52 mm Ni 85	1	•				10
6	60.1401.55	Sst VB23/43 body	1					1
7	10.3066.01	O-ring, 1,78x15,6 mm Ni 85	1	•				10
8	60.1809.51	Seat, 11,6x19x6 mm Sst.	1	•				5
9	60.1808.51	Shutter pin, M8 Sst.	1	•				3
10	60.1410.51	Spacer ring, 10x23,4x10,5 mm Sst.	1					3
11	10.4022.00	Back-up ring, 10x12x2 mm	1	•				5
12	10.3059.10	O-ring, 1,78x11,11 mm Vi 70	1	•				10
13	10.3072.01	O-ring, 1,78x20,35 mm Ni 85	1	•				10

Pos.	P/N	Description	Q.ty	K1	K2	K3	K4	
14	60.1409.51	Spacer ring, 10,3x23,5x17,5 mm Sst.	1					3
15	10.2029.00	Stem seal, 14x19x2,2 mm +O-ring	1	•				4
16	60.1411.51	Piston, M8 Sst.	1					3
17	60.1406.51	Piston holder, Sst.	1					5
18	14.7443.10	Ball, 11/32" Sst.	1					10
19	60.1405.31	Spring rest pin, brass	1					10
20	60.1407.61	Spring, 5x21,4x49 mm z.pl.	1					25
20	60.5402.61	Spring, 5,4x22x64,5 mm z.pl. (1)	1					3
21	16.2100.00	Set screw, DIN914 M4x4 mm	1					10
22	60.1814.31	Ring nut, M27x1 brass	1					5
22	60.1728.31	Ring nut, M27x1 brass (1)	1					3
23	60.1408.31	Valve regulating nut, M27 brass	1					5
23	60.5405.31	Valve regulating ring nut, M27x1 brass (1)	1					3

Kit	P/N	Description	Q.ty
K1	60.1452.24	Spares kit -VB43-53, 9x1pcs.	1

(1) 60.1470.00

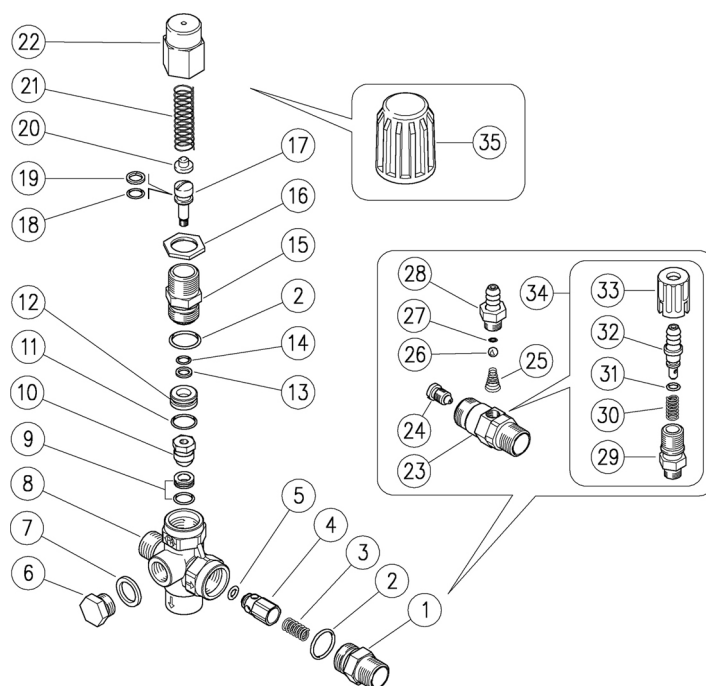
60.1400.60 VB26 unload. 1/2F Bsp Ai316



Pos.	P/N	Description	Q.ty	K1	K2	K3	K4	Pos.	P/N	Description	Q.ty	K1	K2	K3	K4
1	60.1404.60	Shutter coupl., 1/2F Bsp aisi316 Sst.	1				3	13	10.3072.10	O-ring, 1,78x20,35 mm Vi 70	1				10
2	10.3068.10	O-ring, 1,78x17,17 mm Vi 70	2				10	14	60.1409.60	Spacer ring, 10,3x23,5x17,5mm aisi316	1				3
3	60.1403.60	Spring, 0,8x10,7x23 mm aisi316 Sst.	1				10	15	10.2029.00	Stem seal, 14x19x2,2 mm +O-ring	1				4
4	60.1402.60	Shutter pin, aisi316 Sst.	1				3	16	60.1411.60	Piston, M8 aisi316 Sst.	1				3
5	10.3230.10	O-ring, 3,53x7,52 mm Vi 70	1				10	17	60.1406.51	Piston holder, Sst.	1				5
6	60.1401.60	Housing -VB-VRPP26, 1/2Bsp FF aisi316	1				3	18	14.7443.10	Ball, 11/32" Sst.	1				10
7	10.3066.10	O-ring, 1,78x15,6 mm Vi 70	1				10	19	60.1405.31	Spring rest pin, brass	1				10
8	60.1809.60	Seat, 11,6x19x6 mm aisi316 Sst.	1				5	20	60.0975.61	Spring, 4,2x19,7x42 mm z.pl.	1				10
9	60.1808.60	Shutter pin, M8 aisi316 Sst.	1				3	21	16.2100.00	Set screw, DIN914 M4x4 mm	1				10
10	60.1410.60	Spacer ring, 10x23,4x10,5mm aisi316 Sst.	1				3	22	60.1728.31	Ring nut, M27x1 brass	1				3
11	10.4022.00	Back-up ring, 10x12x2 mm	1				5	23	60.1727.31	Valve regulating insert, brass	1				5
12	10.3059.10	O-ring, 1,78x11,11 mm Vi 70	1				10	24	60.1726.84	Valve regulating knob, PA black	1				10

60.1900.00 VB3 unload. 3/8M Bspt-3/8M Bsp-3/8F Bsp

60.1900.05 VB3 unload. 3/8M Npt byp:3/8F



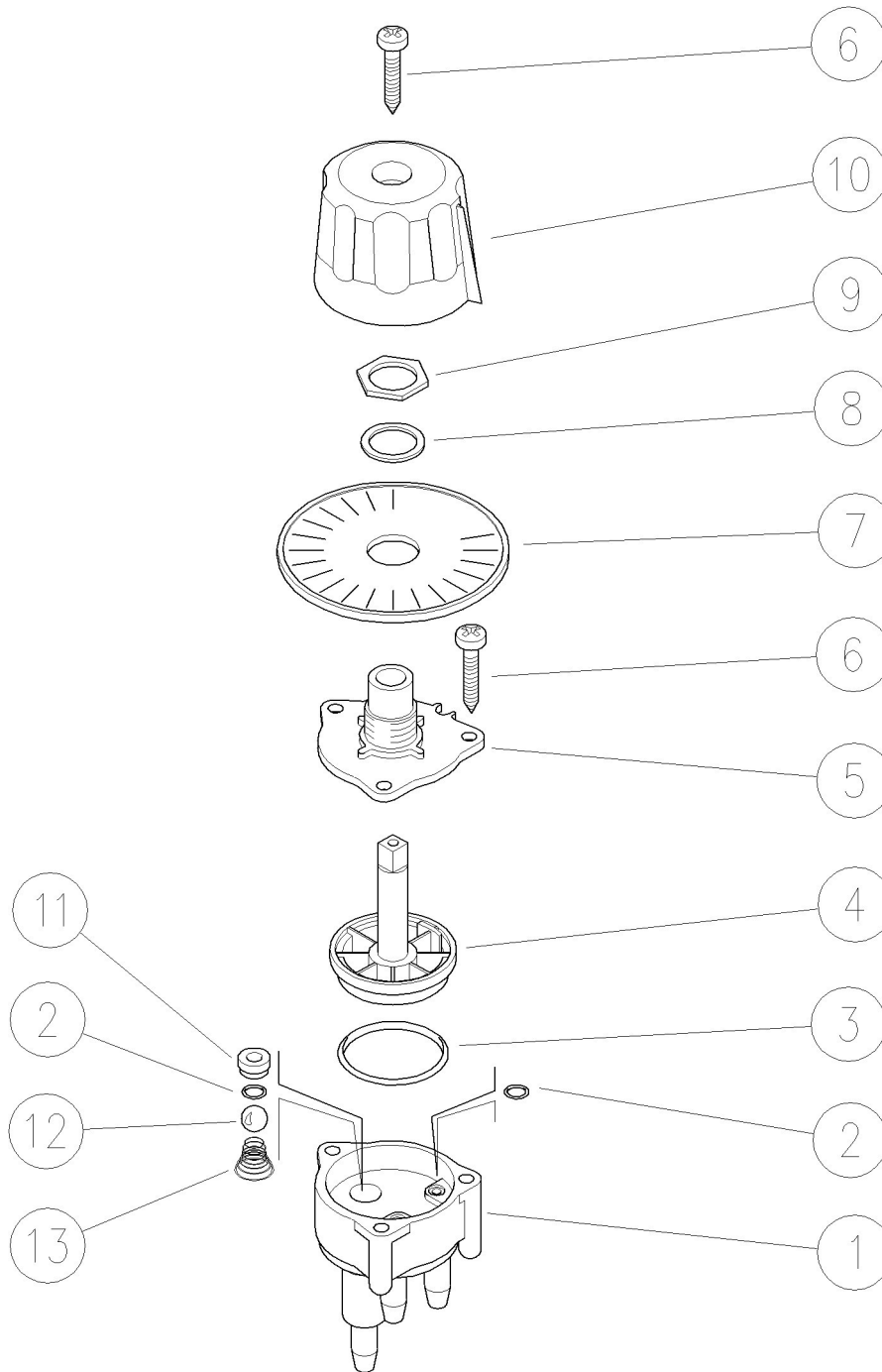
Pos.	P/N	Description	Q.ty	K1	K2	K3	K4	
1	60.1902.31	Shutter coupl., 3/8M Bsp brass	1					10
1	60.1904.31	Shutter coupl., 3/8M Npt brass (1)	1					10
2	10.3066.00	O-ring, 1,78x15,6 mm	2	•				10
3	60.0867.51	Spring, 0,5x6,5x22 mm Sst.	1					25
4	60.0859.99	Shutter pin, brass+or 2,5x4 mm N	1					10
5	10.3125.00	O-ring, 2,5x4 mm	1	•				10
6	28.0013.31	Plug, brass 1/4 Bsp (2) **	1					25
6	60.0026.31	Grub screw, brass 1/4M Npt (1) **	1				1	1
7	14.3911.00	Washer, 13,5x19x1,5 mm Cu (2) **	1					10
8	60.1901.35	Valve housing -VB3, 3/8M Bspt brass	1					5
8	60.1903.35	Valve housing -VB3, 3/8M Npt brass (1)	1					5
9	60.0872.20	Seat, 7,5mm +O-ring, 1mm NBR	1	•				10
10	60.0871.21	Rest, M5 brass +ball, 11/32" Sst.	1	•				10
11	10.3060.00	O-ring, 1,78x12,42 mm	1	•				10
12	60.0863.31	Spacer ring, 6,2x16x6 mm brass	1					10
13	10.4006.00	Back-up ring, 8,6x6x1,2 mm	1	•				10
14	10.3051.01	O-ring, 1,78x6,07 mm	1	•				10
15	60.0303.31	Piston holder, brass	1					5
16	60.0317.31	Locknut, M18x1 brass	1					10

** On request

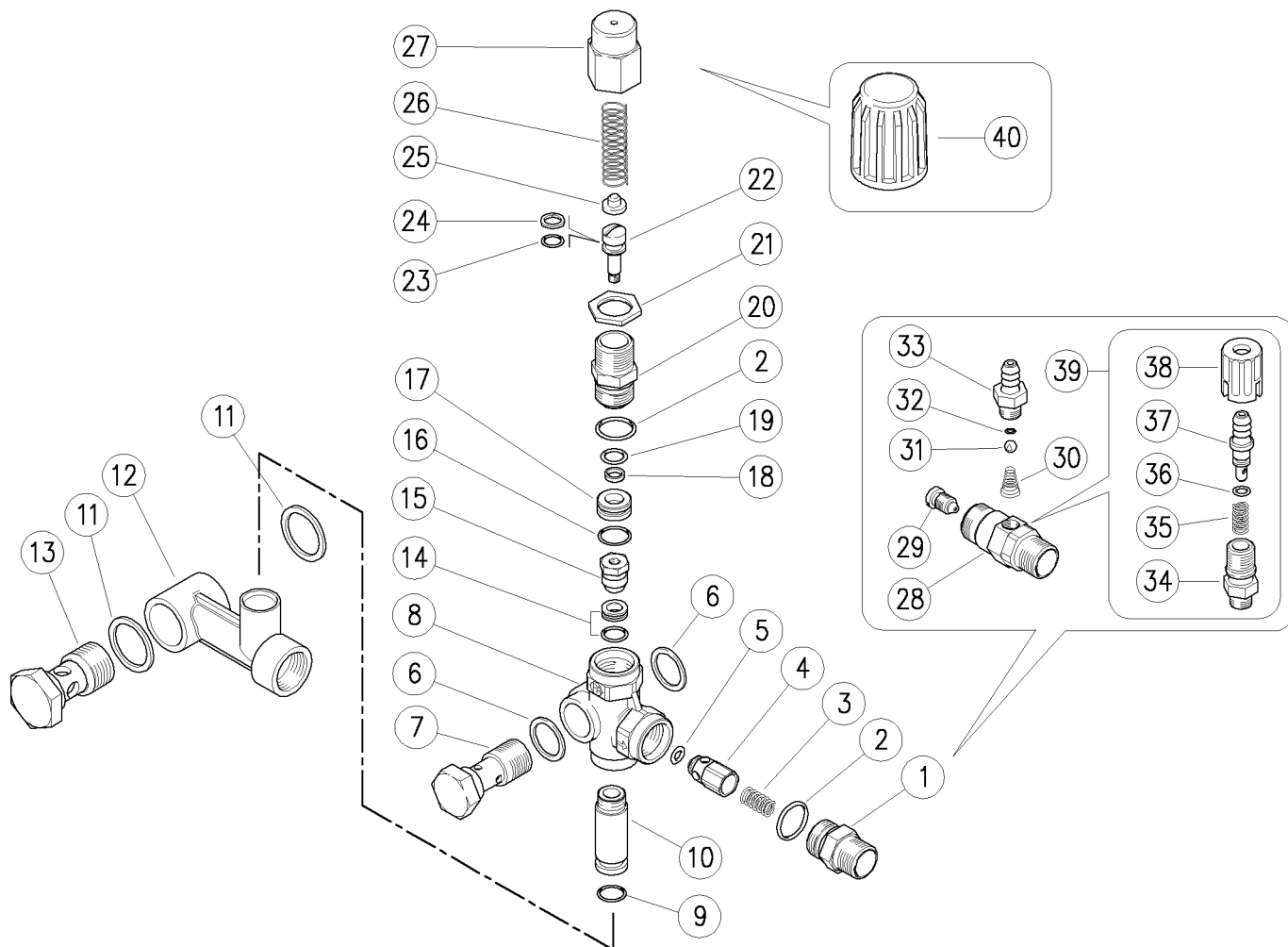
Kit	P/N	Description	
K1	60.1906.24	Spares kit -VB3, 9x1pcs.	1
(1) 60.1900.05 (2) 60.1900.00			

Pos.	P/N	Description	Q.ty	K1	K2	K3	K4	
17	60.0331.99	Piston, M5 Sst.+or+p/back	1					10
18	10.3055.00	O-ring, 1,78x7,66 mm	1	•				10
19	10.4008.00	Back-up ring, opn. 8x11x1,2 mm	1	•				10
20	60.0310.61	Spring guide, z.pl.	1					10
21	60.0862.61	Spring, 3,3x12,6x41 mm z.pl.	1					25
22	60.0304.31	Valve regulating knob, brass	1					5
23	21.0053.31	Inject.housing, M18x1-3/8MM Npt	1					2
24	21.0054.51	Nozzle, M6x1 - 2,1 mm Sst.	1					10
25	21.0160.511	Tapered spring, Sst. -inject., 25pcs	1					1
26	14.7420.01	Ball, 7/32" Sst. Aisi 316	1					10
27	10.3049.00	O-ring, 1,78x5,28 mm Vi 70	1					10
28	21.0003.31	Hose barb, 8 - M12x1 mm brass	1					10
29	21.0173.31	Coupling, M12x1-1/4M Bsp brass	1					10
30	21.0158.51	Spring, 0,8x7x15 mm Sst.	1					10
31	10.3043.01	O-ring, 1,78x4,48 mm Vi 70	1					10
32	21.0155.99	Hose barb, d.8 mm brass+o-ring	1					3
33	21.0171.84	Inject.knob, 1/4F Bsp black	1					10
34	21.0100.00	Regulator+h.barb 8-M12x1mm brs. inject.	1					50
35	60.0315.841	Valve regul. knob, black 50pcs. **	1					1

29.0900.00 RD6 Twin chemical valve



Pos.	P/N	Description	Q.ty	K1	K2	K3	K4		Pos.	P/N	Description	Q.ty	K1	K2	K3	K4	
1	29.0905.84	Casing, -RD6, POM black	1					10	8	14.3912.00	Washer, 14x20x1,5 mm alu.	1					10
2	10.3049.00	O-ring, 1,78x5,28 mm Vi 70	3					10	9	29.0949.31	Locknut, M14x1 brass	1					10
3	10.3206.10	O-ring, 2,62x28,25 mm Vi 70	1					10	10	29.0901.84	Knob -RD6, PA black	1					10
4	29.0903.84	Rotor -RD6, POM black	1					10	11	28.1011.84	Seat, 4,2x8,5x4,5 mm PP grey	1					5
5	29.0906.84	Lid -RD6, POM black	1					10	12	14.7420.01	Ball, 7/32" Sst. Aisi 316	1					10
6	16.3077.00	S/tapping screw, DIN7981 3,5x18 mm	4					10	13	21.0160.51	Tapered spring, Sst. -inject.	1					10
7	29.0904.84	Graduated disc -RD6, PA black	1					10									



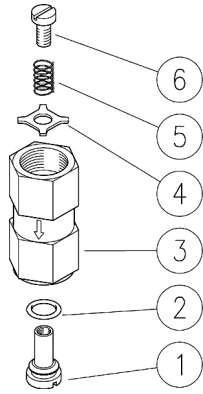
Pos.	P/N	Description	Q.ty	K1	K2	K3	K4		Pos.	P/N	Description	Q.ty	K1	K2	K3	K4	
1	60.1902.31	Shutter coupl., 3/8M Bsp brass	1					10	21	60.0317.31	Locknut, M18x1 brass	1					10
2	10.3066.00	O-ring, 1,78x15,6 mm	2	•				10	22	60.0331.99	Piston, M5 Sst.+or+p/back	1					10
3	60.0867.51	Spring, 0,5x6,5x22 mm Sst.	1					25	23	10.3055.00	O-ring, 1,78x7,66 mm	1	•				10
4	60.0859.99	Shutter pin, brass+or 2,5x4 mm N	1					10	24	10.4008.00	Back-up ring, opn. 8x11x1,2 mm	1	•				10
5	10.3125.00	O-ring, 2,5x4 mm	1	•				10	25	60.0310.61	Spring guide, z.pl.	1					10
6	14.4100.00	Sealing washer, 3/8 Bsp	2					10	26	60.0862.61	Spring, 3,3x12,6x41 mm z.pl.	1					25
7	60.0807.31	Pierced delivery screw, 3/8M Bsp brass	1					10	27	60.0304.31	Valve regulating knob, brass	1					5
8	60.0861.35	Valve housing -VB35, brass	1				1	10	28	21.0057.31	Inject.housing, M18x1-3/8MM Bsp (1)	1					2
9	10.3109.96	O-ring, 2,4x10,3 mm Vi 70	1					10	29	21.0054.51	Nozzle, M6x1 - 2,1 mm Sst.	1					10
10	60.0853.31	Manifold fitting, 15x42 mm	1				5	10	30	21.0160.511	Tapered spring, Sst. -inject., 25pcs	1					1
11	14.4101.00	Sealing washer, 1/2 Bsp	2					10	31	14.7420.01	Ball, 7/32" Sst. Aisi 316	1					10
12	60.0851.35	Valve manifold, 1/2F Bsp brass	1				3	10	32	10.3049.00	O-ring, 1,78x5,28 mm Vi 70	1					10
13	60.0804.31	Pierced crew, 1/2M Bsp 36,5mm brass	1				3	10	33	21.0003.31	Hose barb, 8 - M12x1 mm brass	1					10
14	60.0872.20	Seat, 7,5mm +O-ring, 1mm NBR	1	•				10	34	21.0173.31	Coupling, M12x1-1/4M Bsp brass	1					10
15	60.0871.21	Rest, M5 brass +ball, 11/32" Sst.	1	•				10	35	21.0158.51	Spring, 0,8x7x15 mm Sst.	1					10
16	10.3060.00	O-ring, 1,78x12,42 mm	1	•				10	36	10.3043.01	O-ring, 1,78x4,48 mm Vi 70	1					10
17	60.0863.31	Spacer ring, 6,2x16x6 mm brass	1					10	37	21.0155.99	Hose barb, d.8 mm brass+o-ring	1					3
18	10.4006.00	Back-up ring, 8,6x6x1,2 mm	1	•				10	38	21.0171.84	Inject.knob, 1/4F Bsp black	1					10
19	10.3051.01	O-ring, 1,78x6,07 mm	1	•				10	39	21.0100.00	Regulator+h.barb 8-M12x1mm brs. inject.	1					50
20	60.0303.31	Piston holder, brass	1				5	10	40	60.0315.841	Valve regul. knob, black 50pcs. **	1					1

** On request

Kit	P/N	Description	
K1	60.1906.24	Spares kit -VB3, 9x1pcs.	1

(1) 60.0855.21

60.2075.00 VNR-O check valv. brass 3/4FF Bsp



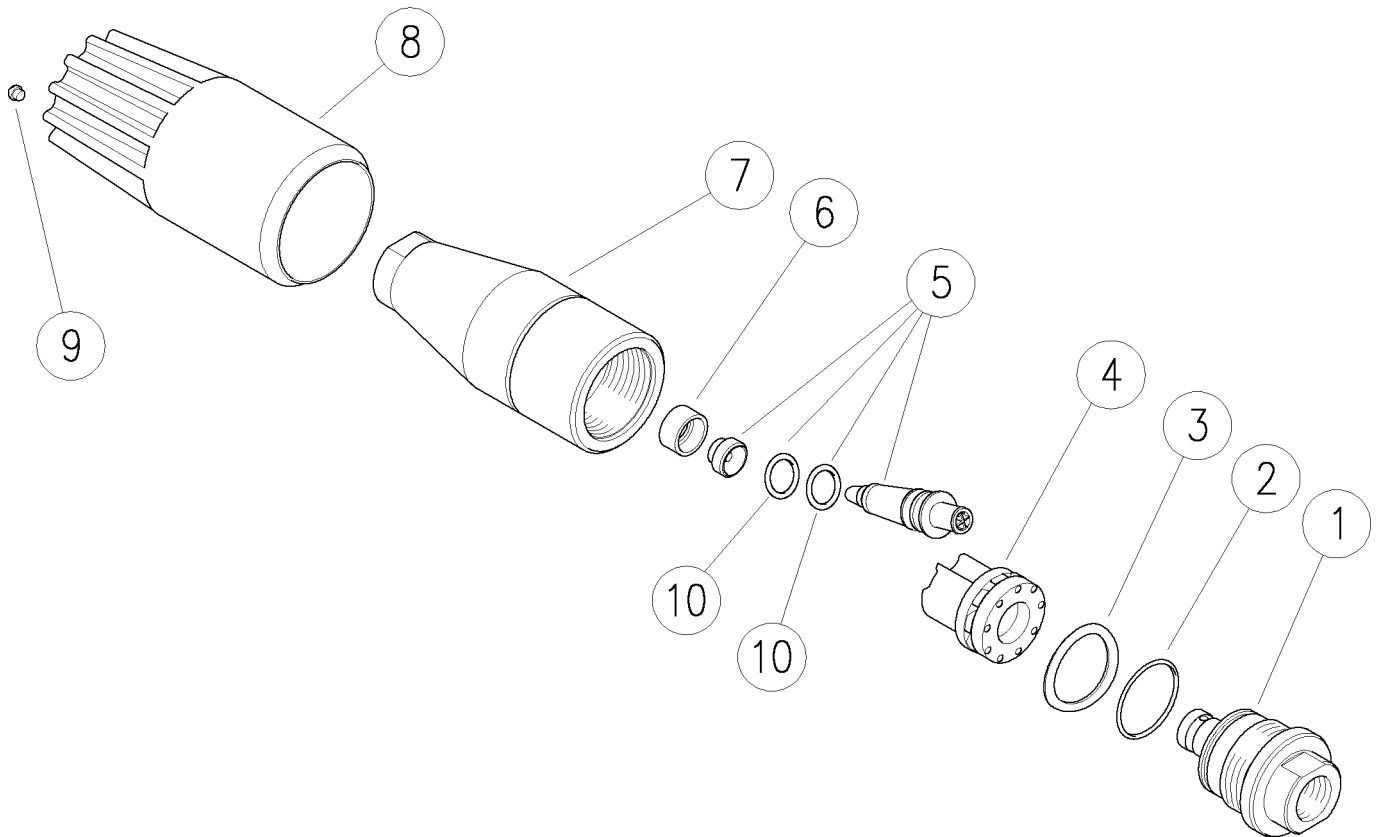
60.2080.00 VNR-I check valv. sst. 3/4FF Bsp

Pos.	P/N	Description	Q.ty	K1	K2	K3	K4	
1	60.2076.51	Shutter pin, M6 Sst.	1					10
2	10.3179.14	O-ring 2,62x13,1 mm Vi 85	1					10
3	60.2078.31	Housing -VNR-O, 3/4Bsp FF brass (1)	1					5
3	60.2081.51	Housing -VNR-I, 3/4Bsp FF Sst. (2)	1					5
4	60.2077.53	Sst washer, 8x22x2 mm	1					10
5	60.2064.51	Spring, 0,7x9,6x14 mm Sst.	1					10
6	16.1832.00	Screw, ISO7380 M6x8 mm Sst.	1					10

(1) 60.2075.00 (2) 60.2080.00

- 25.1620.30 UR25-03 Rotat.nzl,250bar, white
- 25.1620.35 UR25-035 Rotat.nzl,250bar, brown
- 25.1620.40 UR25-04 Rotat.nzl,250bar, d. yellow
- 25.1620.45 UR25-045 Rotat.nzl,250bar, blue
- 25.1620.50 UR25-05 Rotat.nzl,250bar, l.purple

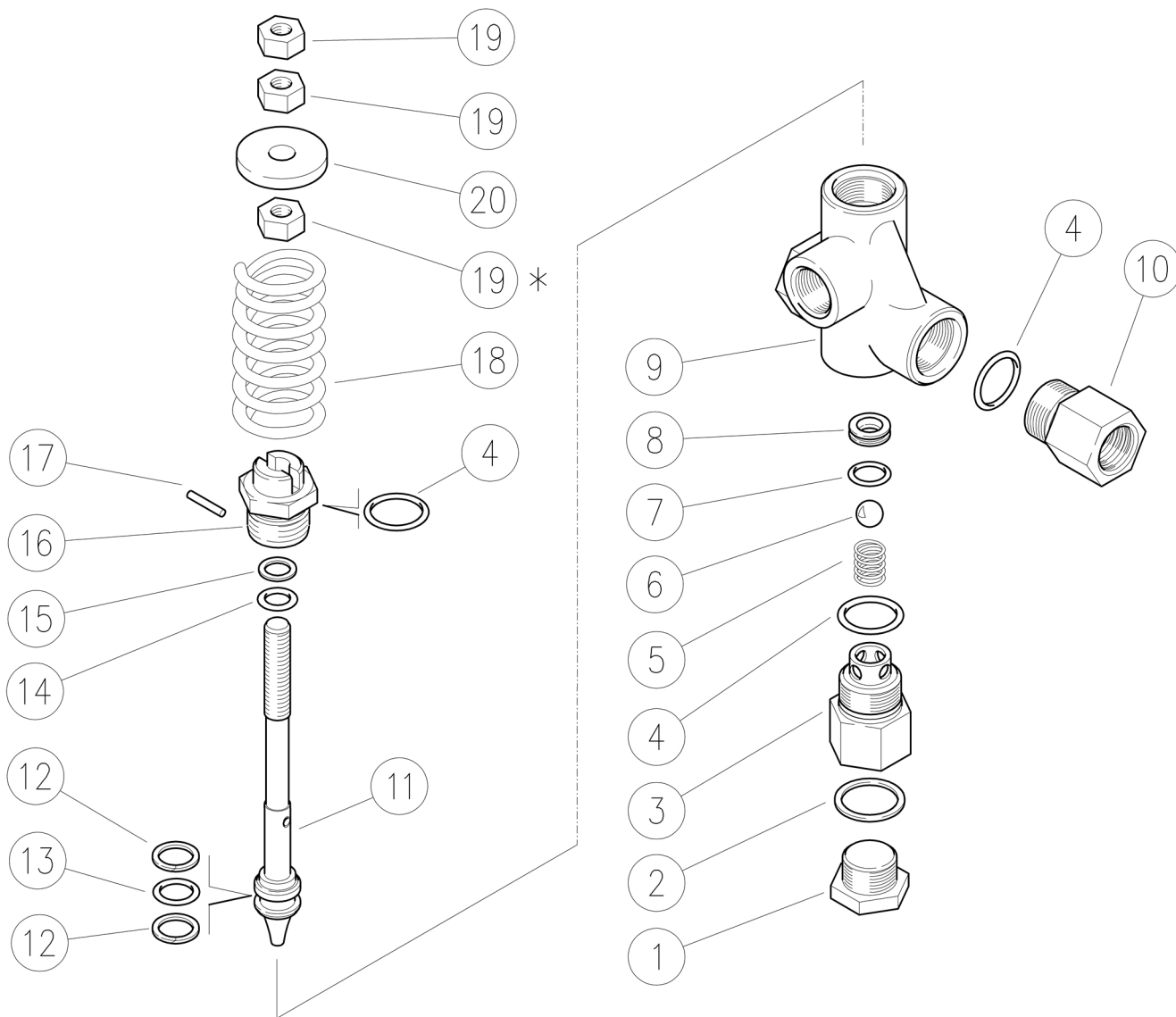
- 25.1620.55 UR25-055 Rotat.nzl,250bar, d. red
- 25.1620.60 UR25-06 Nzl.,rot.,250bar, d.green
- 25.1620.65 UR25-065 Rotat.nzl,250bar, l.blue
- 25.1620.70 UR25-07 Rotat.nzl,250bar, orange
- 25.1620.80 UR25-08 Rotat.nzl,250bar, silver



Pos.	P/N	Description	Q.ty	K1	K2	K3	K4		Pos.	P/N	Description	Q.ty	K1	K2	K3	K4	
1	25.1662.31	Coupling, 1/4 F Bsp (1)	1					3	5	25.1660.24	Spares kit -UR16.03/UR25-32.035 (2)	1					1
1	25.1634.31	Coupling, 1/4 F Bsp (2)	1					3	5	25.1633.24	Spares kit -UR16.035/UR25.04/UR32.04 (3)	1					1
1	25.1635.31	Coupling, 1/4 F Bsp (3)	1					3	5	25.1637.24	Spares kit -UR16.04-045/UR25-32.045 (4)	1					1
1	25.1645.31	Coupling, 1/4 F Bsp (4)	1					3	5	25.1638.24	Spares kit -UR16-25-32.05 (5)	1					1
1	25.1636.31	Coupling, 1/4 F Bsp (5)	1					3	5	25.1668.24	Spares kit -UR16-25-32.055 (6)	1					1
1	25.1646.31	Coupling, 1/4 F Bsp (6)	1					3	5	25.1639.24	Spares kit -UR16-25-32.06 (7)	1					1
1	25.1636.31	Coupling, 1/4 F Bsp (7)	1					3	5	25.1640.24	Spares kit -UR16-25-32.065 (8)	1					1
1	25.1646.31	Coupling, 1/4 F Bsp (8)	1					3	5	25.1641.24	Spares kit -UR16-25-32.07 (9)	1					1
1	25.1647.31	Coupling, 1/4 F Bsp (9)	1					3	5	25.1669.24	Spares kit -UR16-25-32.08 (10)	1					1
1	25.1661.31	Coupling, 1/4 F Bsp (10)	1					3	6	25.1624.85	Seal, 7,2x12x6 mm PTFE	1					10
2	10.3072.01	O-ring, 1,78x20,35 mm Ni 85	1					10	7	25.1622.31	Housing -UR25	1					3
3	25.1626.63	Washer, 14,8x23x0,1mm Sst.	1					5	8	25.1621.85	Knob -UR25, blue	1					3
4	25.1631.22	Turbine	1					3	9	15.2000.40	Stud, 04 dark yellow (3)	1					10
5	25.1659.24	Spares kit -UR16.025/UR25-32.03 (1)	1					1	10	10.3230.00	O-Ring, 3,53x7,52 mm Ni 70	2					10

(1) 25.1620.30 (2) 25.1620.35 (3) 25.1620.40 (4) 25.1620.45 (5) 25.1620.50 (6) 25.1620.55 (7) 25.1620.60 (8) 25.1620.65 (9) 25.1620.70 (10) 25.1620.80

60.0593.00 VS80/150 safety valv. 1/2F Bsp Ai303

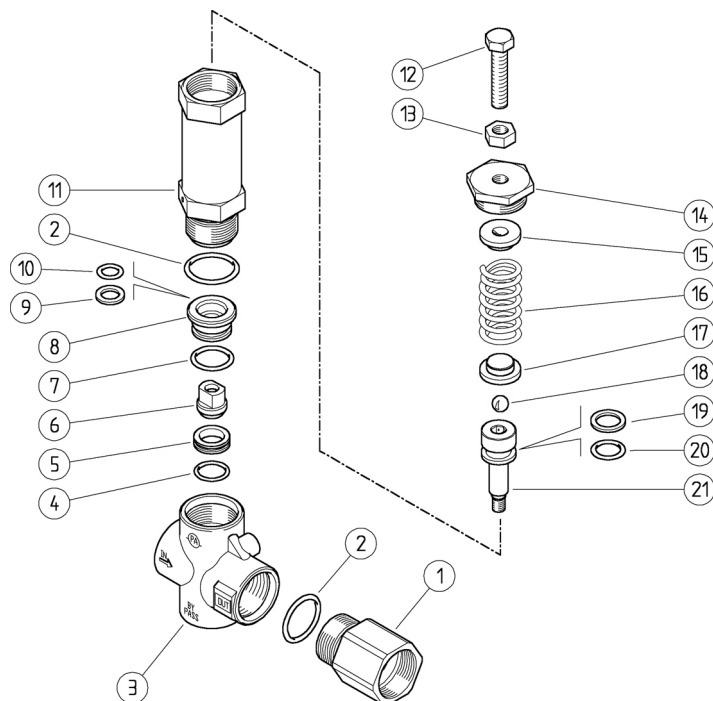


Pos.	P/N	Description	Q.ty	K1	K2	K3	K4
1	60.0413.51	Plug,sst. 1/2 Bsp, hex.27	1				3
2	14.4101.00	Sealing washer, 1/2 Bsp	1				10
3	60.0405.51	Suction coupl., 1/2F Bsp Sst.	1				3
4	10.3072.01	O-ring, 1,78x20,35 mm Ni 85	3	•			10
5	60.0410.51	Spring, 1,6x11,5x20 mm Sst.	1				5
6	14.7461.00	Ball, 13/32" Sst.	1	•			10
7	10.3060.01	O-ring, 1,78x12,42 mm Ni 85	1	•			10
8	60.0408.51	Seat, 8,5x15,9x4,5 mm Sst.	1	•			5
9	60.0431.55	Housing -VB80, 1/2F Bsp Sst.	1				3
10	60.0402.51	Shutter coupl., 1/2F Bsp Sst.	1				3

Pos.	P/N	Description	Q.ty	K1	K2	K3	K4
11	60.0407.51	Piston, M10 Sst.	1				5
12	10.4014.00	Back-up ring, opn. 18x13,5x1,2 mm	2	•			10
13	10.3178.01	O-ring, 2,62x13,1 mm Ni 85	1	•			10
14	10.3174.01	O-ring, 2,62x9,93 mm Ni 85	1	•			10
15	10.4015.00	Back-up ring, 10x14,5x1,2 mm	1	•			10
16	60.0433.51	Stem holder, Sst.	1				5
17	15.1032.00	Roll pin, 3x18 mm Sst.	1				10
18	60.0411.61	Spring, 6,5x33x70 mm white	1				3
19	11.4627.50	Hex. nut, M10, Sst.	3				10
20	60.0406.31	Spring holding washer, brass	1				10

Kit	P/N	Description	Q.ty
K1	60.0554.24	Spares kit -VS80/400, 8x5pcs.	1

60.0545.00 VRP 175 safety valv. 1" F Bsp

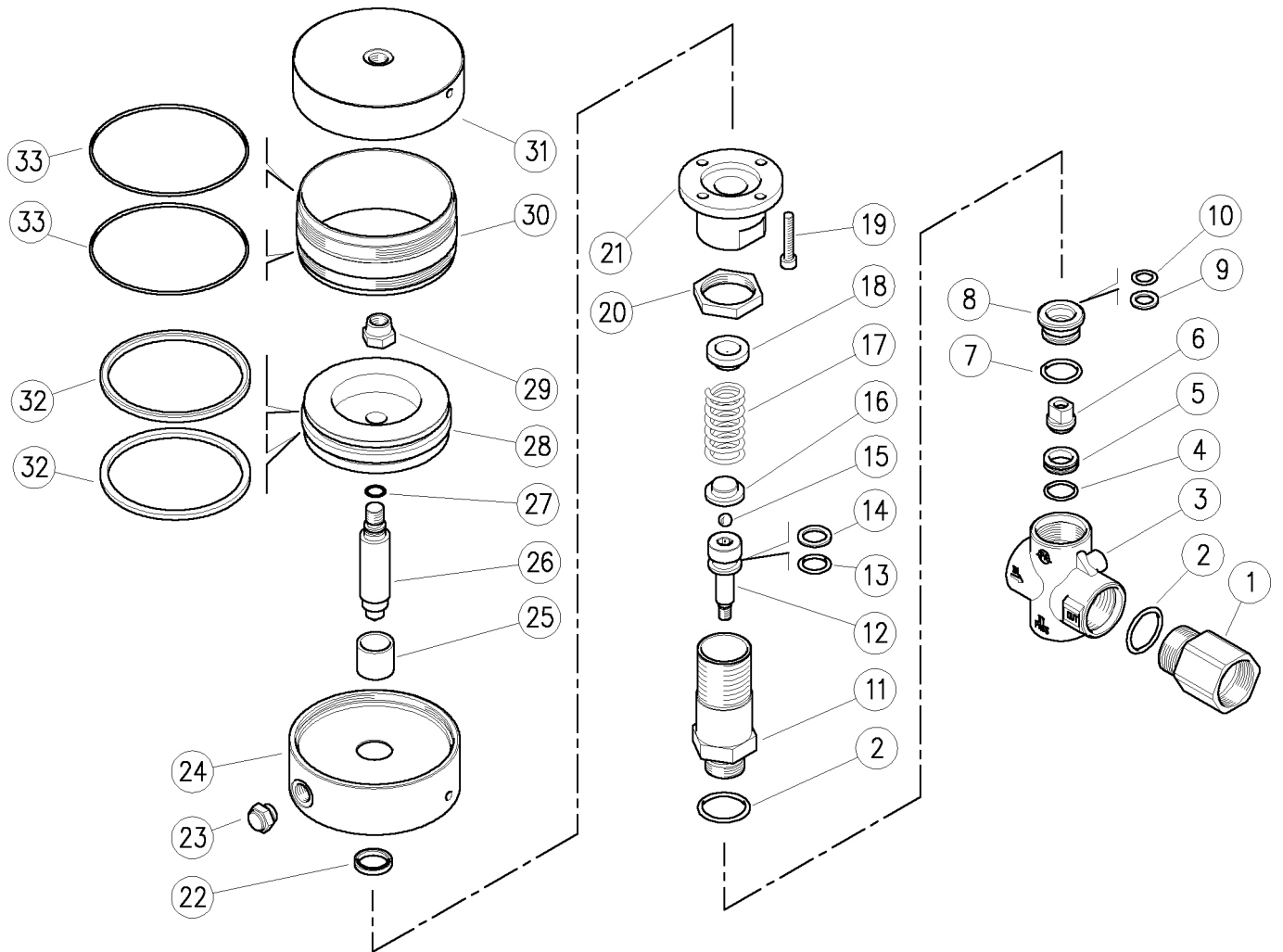


Pos.	P/N	Description	Q.ty	K1	K2	K3	K4	
1	60.5026.31	Coupling, 1" Bsp F brass	1					3
2	10.3206.01	O-ring, 2,62x28,25 mm	2	•				10
3	60.5024.35	Hous.-VB200/150-1" Bsp FF	1					1
4	10.3072.01	O-ring, 1,78x20,35 mm Ni 85	1	•				10
5	60.5002.51	Seat, 15,8x23x6 mm Sst.	1	•				2
6	60.5003.51	Shutter pin, M8 Sst.	1	•				3
7	10.3195.01	O-ring, 2,62x20,29 mm Ni 90	1	•				10
8	60.5010.31	Reduction bushing, brass	1					2
9	10.4080.00	Back-up ring, 12x18,2x2 mm	1	•				10
10	10.3234.00	O-ring, 3,53x10,69 mm	1	•				10
11	60.5009.31	Piston holder, brass	1					1

Pos.	P/N	Description	Q.ty	K1	K2	K3	K4	
12	60.5011.61	Valve regulating screw, M10x44 z.pl.	1					1
13	11.4629.00	Hex. nut, M10	1					10
14	60.5008.31	Upper plug, M10 brass	1					1
15	60.5007.31	Spring guide spacer, brass	1					3
16	60.5006.61	Spring, 6x30x62 mm	1					5
17	60.5005.31	Spring guide spacer, brass	1					1
18	14.7461.00	Ball, 13/32" Sst.	1					10
19	10.4081.00	Back-up ring, 15,8x22x2 mm	1	•				10
20	10.3237.00	O-ring, 3,53x15,47 mm	1	•				10
21	60.5004.51	Piston, M8 Sst.	1					2

Kit	P/N	Description	
K1	60.0546.24	Spares kit -Vrp 175, 9x1pcs.	1

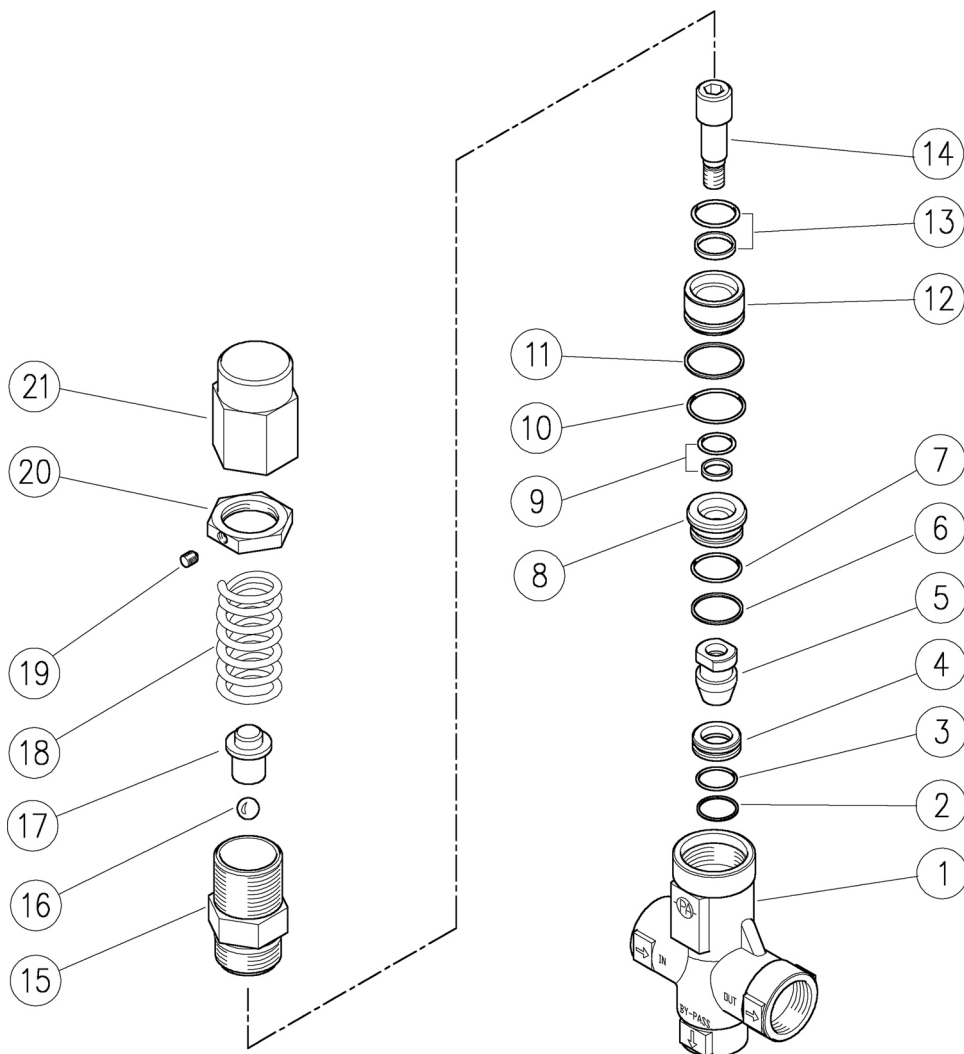
60.5300.00 VRPP 170 regul.valv. 1"F Bsp -air contr.



Pos.	P/N	Description	Q.ty	K1	K2	K3	K4	
1	60.5026.31	Coupling, 1"Bsp F brass	1					3
2	10.3206.01	O-ring, 2,62x28,25 mm	2	•				10
3	60.5024.35	Hous.-VB200/150-1"Bsp FF	1	•				1
4	10.3072.01	O-ring, 1,78x20,35 mm Ni 85	1	•				10
5	60.5002.51	Seat, 15,8x23x6 mm Sst.	1	•				2
6	60.5003.51	Shutter pin, M8 Sst.	1	•				3
7	10.3195.01	O-ring, 2,62x20,29 mm Ni 90	1	•				10
8	60.5010.31	Reduction bushing, brass	1					2
9	10.4080.00	Back-up ring, 12x18,2x2 mm	1	•				10
10	10.3234.00	O-ring, 3,53x10,69 mm	1	•				10
11	60.5301.31	Spring holder, brass	1					1
12	60.5004.51	Piston, M8 Sst.	1					2
13	10.3237.00	O-ring, 3,53x15,47 mm	1	•				10
14	10.4081.00	Back-up ring, 15,8x22x2 mm	1	•				10
15	14.7461.00	Ball, 13/32" Sst.	1					10
16	60.5005.31	Spring guide spacer, brass	1					1
17	60.5006.61	Spring, 6x30x62 mm	1					5

Pos.	P/N	Description	Q.ty	K1	K2	K3	K4	
18	60.5303.31	Spring guide spacer, brass	1					1
19	16.1897.22	Screw, DIN912 M6x22 mm z.pl.	4					5
20	60.5302.31	Ring nut, M36 brass	1					1
21	60.5304.31	Piston holder, brass	1					1
22	10.2020.25	Stem seal, 20x25x4 mm	1	•				5
23	11.8901.14	Pneum. filter, G1/4	1					3
24	60.5322.41	Valve head, Al	1					3
25	60.5323.85	Bushing, opn. 20x24x14,8 mm PTFE	1	•				3
26	60.5321.61	Piston, 20-M12x94 mm	1					3
27	10.3058.01	O-ring, 1,78x10,82 mm	1	•				10
28	60.5326.41	Piston, Al	1					3
29	11.4740.00	Hex. nut, M12	1					10
30	60.5324.46	Jacket, Al	1					3
31	60.5325.41	Valve bottom, Al	1					3
32	10.2100.00	Piston seal, 90x100x4,5 mm	2	•				5
33	10.3106.00	O-ring, 2x103 mm	2	•				5

Kit	P/N	Description	
K1	60.5016.24	Spares kit -VB200/150, 10x1pcs.	1
K2	60.5327.24	Spares kit -pneum. cylinder, 5x1pcs.	1

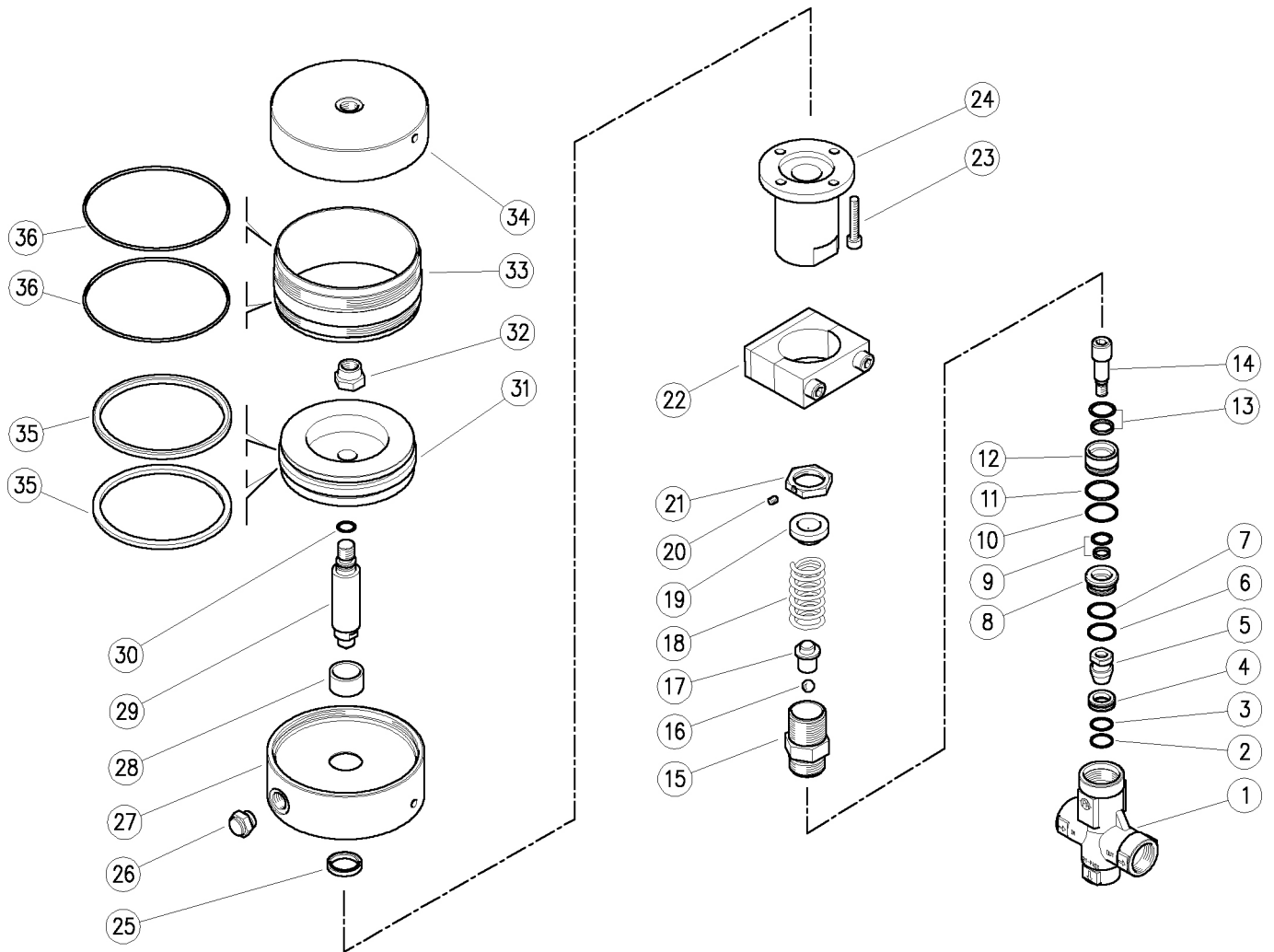


Pos.	P/N	Description	Q.ty	K1	K2	K3	K4	
1	60.5401.55	Sst. housing -VS23-VRP/P600, 1/2F Bsp	1					1
2	10.4036.17	Back-up ring, 14x2x17x1,5 mm	1	•				10
3	10.3064.01	O-ring, 1,78x14 mm Ni 85	1	•				10
4	60.5404.51	Seat, 9,2x17x7,5 mm Sst.	1	•				5
5	60.5403.51	Shutter pin, M7 Sst.	1	•				3
6	10.4039.00	Back-up ring, 15,7x18,5x1,5 mm	1	•				10
7	10.3066.01	O-ring, 1,78x15,6 mm Ni 85	1	•				10
8	60.5410.51	Lower spacer ring, 8x21,4x11,5 mm Sst.	1					3
9	10.2008.00	Stem seal, 8x13x2,2 mm +O-ring	1	•				5
10	10.3070.02	O-ring, 1,78x18,77 mm Ni 85	1	•				10
11	10.4057.00	Back-up ring, 18,7x21,5x1,5 mm	1	•				10

Pos.	P/N	Description	Q.ty	K1	K2	K3	K4	
12	60.5409.51	Upper spacer ring, 8,3x21,5x17 mm Sst.	1					3
13	10.2013.00	Stem seal, 12x17x2,2 mm +O-ring	1	•				5
14	60.5408.51	Piston, M7 Sst.	1					5
15	60.5407.51	Piston holder, Sst.	1					5
16	14.7443.10	Ball, 11/32" Sst.	1					10
17	60.5406.31	Spring rest pin, brass	1					3
18	60.5402.61	Spring, 5,4x22x64,5 mm z.pl.	1					3
19	16.2100.00	Set screw, DIN914 M4x4 mm	1					10
20	60.1814.31	Ring nut, M27x1 brass	1					5
21	60.5405.31	Valve regulating ring nut, M27x1 brass	1					3

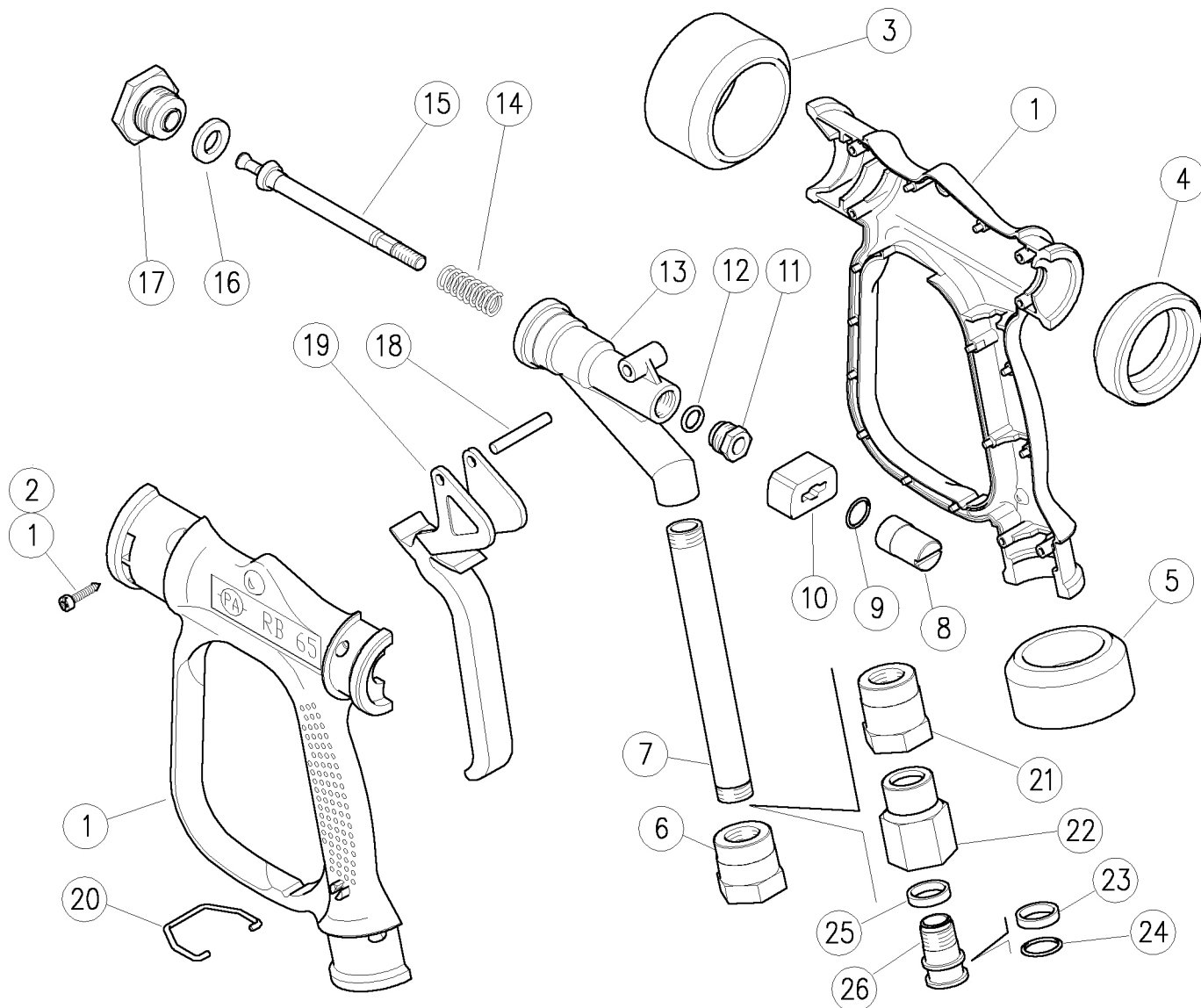
Kit	P/N	Description	Q.ty
K1	60.5411.24	Spares kit -VRP/P 600, 10x1pcs.	1

60.5450.00 VRPP 600 regul.valv. 1/2" F Bsp-air contr.



Pos.	P/N	Description	Q.ty	K1	K2	K3	K4	
1	60.5401.55	Sst. housing -VS23-VRP/P600, 1/2F Bsp	1					1
2	10.4036.17	Back-up ring, 14x2x17x1,5 mm	1	•				10
3	10.3064.01	O-ring, 1,78x14 mm Ni 85	1	•				10
4	60.5404.51	Seat, 9,2x17x7,5 mm Sst.	1	•				5
5	60.5403.51	Shutter pin, M7 Sst.	1	•				3
6	10.4039.00	Back-up ring, 15,7x18,5x1,5 mm	1	•				10
7	10.3066.01	O-ring, 1,78x15,6 mm Ni 85	1	•				10
8	60.5410.51	Lower spacer ring, 8x21,4x11,5 mm Sst.	1					3
9	10.2008.00	Stem seal, 8x13x2,2 mm +O-ring	1	•				5
10	10.3070.02	O-ring, 1,78x18,77 mm Ni 85	1	•				10
11	10.4057.00	Back-up ring, 18,7x21,5x1,5 mm	1	•				10
12	60.5409.51	Upper spacer ring, 8,3x21,5x17 mm Sst.	1					3
13	10.2013.00	Stem seal, 12x17x2,2 mm +O-ring	1	•				5
14	60.5408.51	Piston, M7 Sst.	1					5
15	60.5407.51	Piston holder, Sst.	1					5
16	14.7443.10	Ball, 11/32" Sst.	1					10
17	60.5406.31	Spring rest pin, brass	1					3
18	60.5402.61	Spring, 5,4x22x64,5 mm z.pl.	1					3
19	60.5451.31	Spring guide spacer, brass	1					10
20	16.2100.00	Set screw, DIN914 M4x4 mm	1					10
21	60.1814.31	Ring nut, M27x1 brass	1					5
22	11.0445.52	Collar, d.45x30 mm	1					1
23	16.1897.22	Screw, DIN912 M6x22 mm z.pl.	4					5
24	60.5452.31	Piston holder, brass	1					1
25	10.2020.25	Stem seal, 20x25x4 mm	1	•				5
26	11.8901.14	Pneum. filter, G1/4	1					3
27	60.5322.41	Valve head, Al	1					3
28	60.5323.85	Bushing, opn. 20x24x14,8 mm PTFE	1	•				3
29	60.5321.61	Piston, 20-M12x94 mm	1					3
30	10.3058.01	O-ring, 1,78x10,82 mm	1	•				10
31	60.5326.41	Piston, Al	1					3
32	11.4740.00	Hex. nut, M12	1					10
33	60.5324.46	Jacket, Al	1					3
34	60.5325.41	Valve bottom, Al	1					3
35	10.2100.00	Piston seal, 90x100x4,5 mm	2	•				5
36	10.3106.00	O-ring, 2x103 mm	2	•				5

Kit	P/N	Description	Q.ty
K1	60.5411.24	Spares kit -VRP/P 600, 10x1pcs.	1
K2	60.5327.24	Spares kit -pneum. cylinder, 5x1pcs.	1



Pos.	P/N	Description	Q.ty	K1	K2	K3	K4	
1	30.6420.24	Casing-kit -RB65-60L +screws, Sst.	1					1
2	16.3075.51	S/tapping screw, DIN7981 3,5x18 mm Sst.	6					10
3	30.6412.84	Front guard ring, TPEs blue	1					5
4	30.6413.84	Back guard ring, TPEs blue	1					5
5	30.6414.84	Lower guard ring, TPEs blue	1					5
6	30.6407.60	Coupl., M16x1,5F-1/2F Bsp aisi316 Sst. (1)	1					1
7	30.6409.60	Tube, M16x1,5 FF 136 mm aisi316 Sst.	1					5
8	30.6418.31	Regulating pin, M7	1					5
9	10.3091.10	O-ring, 2x14 mm Vi 70	1	•	•			10
10	30.6302.84	Sliding block, PA grey	1					5
11	30.6417.60	Plug, M14x1 M aisi316 Sst.	1					5
12	10.3170.10	O-ring, 2,62x7,6 mm Vi 70	1	•	•			10
13	30.6405.60	Housing -RB65, aisi316 Sst.	1					1

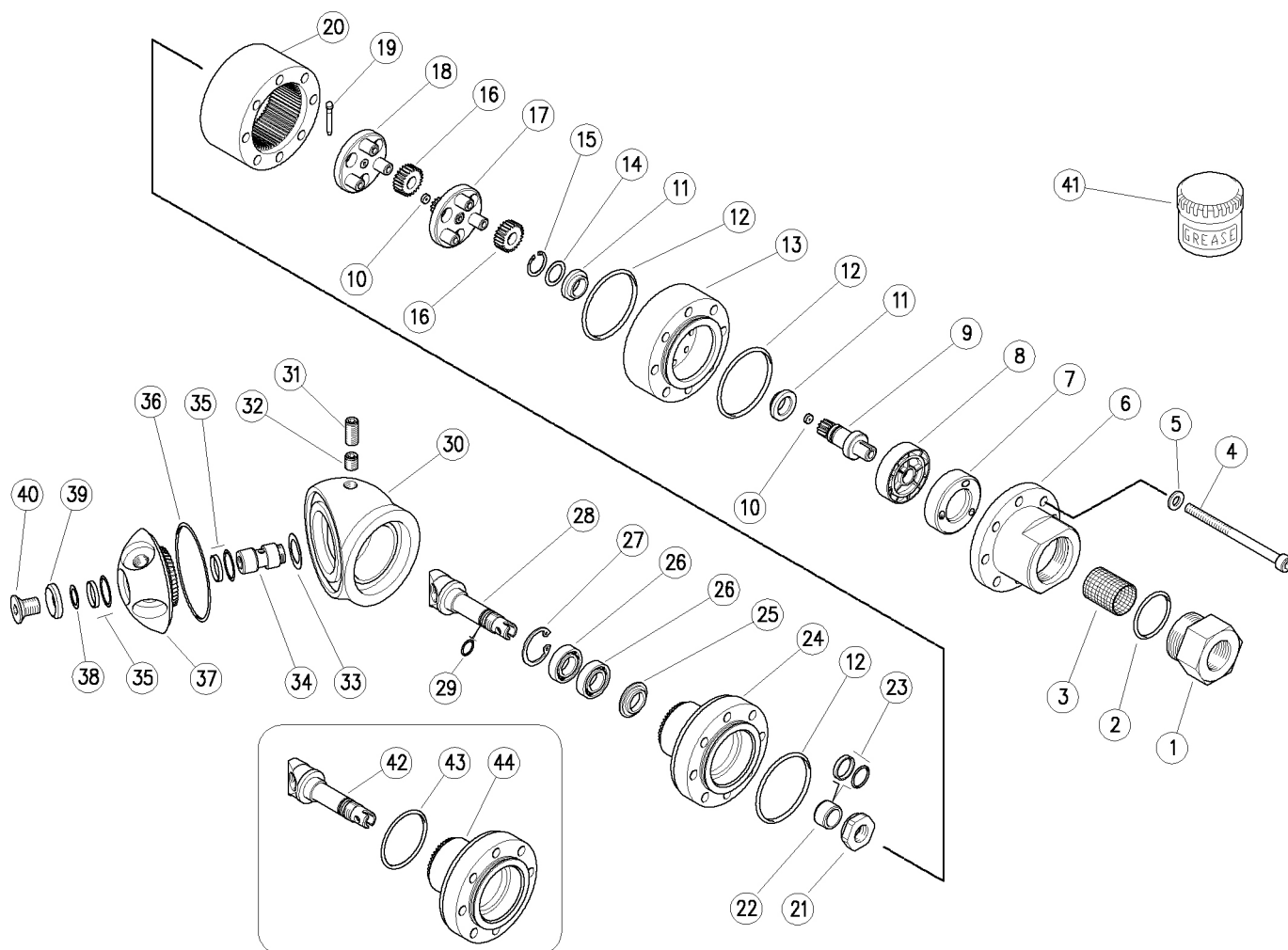
Pos.	P/N	Description	Q.ty	K1	K2	K3	K4	
14	30.6410.60	Spring, 1,8x12,8x40 mm aisi316 Sst.	1	•				5
15	30.6406.60	Piston -RB65, aisi316 Sst. 60L/min	1	•				5
16	30.6408.85	Front seal, 11x20,5x3 mm FKM80	1	•	•			10
17	30.6403.60	Front Coupl. -RB65, aisi316 60L/min	1					3
18	30.6428.31	Parallel pin, 5x38 mm brass	1					5
19	30.6301.84	Trigger -RB65, PA grey	1					10
20	30.6415.51	Trigger retainer, Sst.	1					5
21	30.6426.60	Coupl. -SW, M15x1F-M16x1,5F aisi316 (2)	1					2
22	30.6427.60	Coupl. -SW, 1/2F Bsp aisi316 Sst. (2)	1					3
23	26.1075.85	Bushing, open 15,5x19x4 mm PTFE (2)	1					5
24	10.3092.10	O-ring, 2x15 mm Vi 70 (2)	1					10
25	26.1074.85	Bushing, 15,5x19x4 mm PTFE (2)	1					5
26	26.1072.60	Pin, M15x1-19 mm Aisi 316 Sst. (2)	1					5

Kit	P/N	Description	Q.ty
K1	30.6422.24	Seals spares kit -RB65, 3x1pcs.	1
K2	30.6306.24	Repair kit -RB65- aisi316 Sst., 5x1pcs.	1

(1) 30.6300.00 (2) 30.6310.00

25.5200.20 A42-R2 Tank clean.,2-stage, 20 l/min
 25.5200.24 A42-R2 Tank clean.,s/prop., 25 l/min
 25.5200.28 A42-R2 Tank clean.,s/prop., 30 l/min

25.5200.33 A42-R2 Tank clean.,s/prop., 50 l/min
 25.5200.34 A42-R2 Tank clean.,s/prop., 40 l/min



FINO ALLA MATRICOLA 409 COMPRESA

Pos.	P/N	Description	Q.ty	K1	K2	K3	K4	Pos.	P/N	Description	Q.ty	K1	K2	K3	K4
1	80.0534.51	Inlet coupl., 1/2Bsp F Sst.	1				3	21	80.0504.51	Ring nut, M12x1 Sst.	1				1
2	10.3077.10	O-ring, 1,78x28,3 mm Vi 70	1	•			10	22	80.0509.51	Seal holding bushing, Sst.	1		•		3
3	28.0116.53	Strainer, D.21,5 L.26,5 mm 38mesh-700µm Sst.	1				5	23	10.2035.16	Seal, 16x21x2,1 mm+Or.iVit.	1	•		•	5
4	16.1908.00	Screw, DIN912 M6x80 mm Sst.	8				10	24	80.0552.51	Pinion z:45 sst.	1				1
5	14.3569.05	Washer, 6,4x11x1 mm Sst.	8				10	25	80.0550.31	Spacer ring, 12,3x27,5 brass	1				5
6	80.0533.51	Inlet housing, Sst.	1				1	26	11.4412.28	Ball-bearing, 12x28x8 mm - 2RS1 Sst.	2	•			3
7	80.0514.51	Ring injector, 3x2 mm Sst. (1)	1				1	27	10.1011.05	Snap ring, I 28 Sst.	1	•			10
7	80.0519.51	Ring injector, 3x2,4 mm Sst. (2)	1				1	28	80.0551.51	Propeller shaft, Sst.	1				1
7	80.0515.51	Ring injector, 3x2,6 mm Sst. (3)	1				1	29	10.3019.10	O-ring, 1,5x9,5 mm Vi 70	1	•			10
7	80.0525.51	Ring injector, 5x3,3 mm Sst. (4)	1				1	30	80.0523.41	Spherical cap -A42R/R2, Al.	1				1
7	80.0526.51	Ring injector, 4x3,2 mm Sst. (5)	1				1	31	16.2225.00	Set screw, DIN913 M8x16 mm Sst.	1				10
8	80.0512.84	Turbine, plast.	1				3	32	16.2221.00	Set screw, DIN914 M8x8 mm Sst.	1				10
9	80.0540.22	Planetary shaft, complete	1				1	33	80.0513.53	Shim ring, 15,4x23x0,3mm Sst.	1				5
10	80.0536.38	Shim ring, 1,2x6x2mm brz **	2	•			3	34	80.0507.51	Pin, M12x1M-M8F Sst.	1				3
11	80.0548.84	Bushing ring	2	•			3	35	10.2035.00	Stem seal, 15x20x2 mm +O-ring	2	•			4
12	10.3034.10	O-ring, 1,5x46 mm Vi 70	3	•			10	36	10.3270.10	O-ring, 3,53x59,92 mm Vi 70	1	•			10
13	80.0532.51	Sst. inlet flange	1				1	37	80.0539.22	Nzl hold,3x1/8Npt Al+gear z.47	1				1
14	80.0510.53	Shim ring, 12,3x17x0,5mm Sst.	1				5	38	80.0505.53	Shim ring, 8,3x14x0,3mm Sst.	1				5
15	10.0999.05	Snap ring, E 12 Sst.	1	•			10	39	80.0015.51	C/sunk washer, 8,5x22x4,5mm Sst.	1				3
16	80.0501.38	Planetary gear, z.24 brz	6	•			3	40	16.1954.12	Screw, DIN7991 M8x12 mm Sst.	1				10
17	80.0541.22	Plan. gear holder+3 pins+gear, Sst.	1				1	41	14.6550.00	Teflon grease x30g.>no Epdm **	1				2
18	80.0538.22	Planetary gear holder+3 pins, Sst.+1 pin	1				1	42	80.0506.51	Propeller shaft, Sst.	1				1
19	80.0545.31	Fuse plug, D.3mm **	1	•			5	44	80.0520.51	Pinion, z.45 Sst.	1				1
20	80.0524.51	Ring gear z.60, 2-stage cleaner, sst.	1				1								

** On request

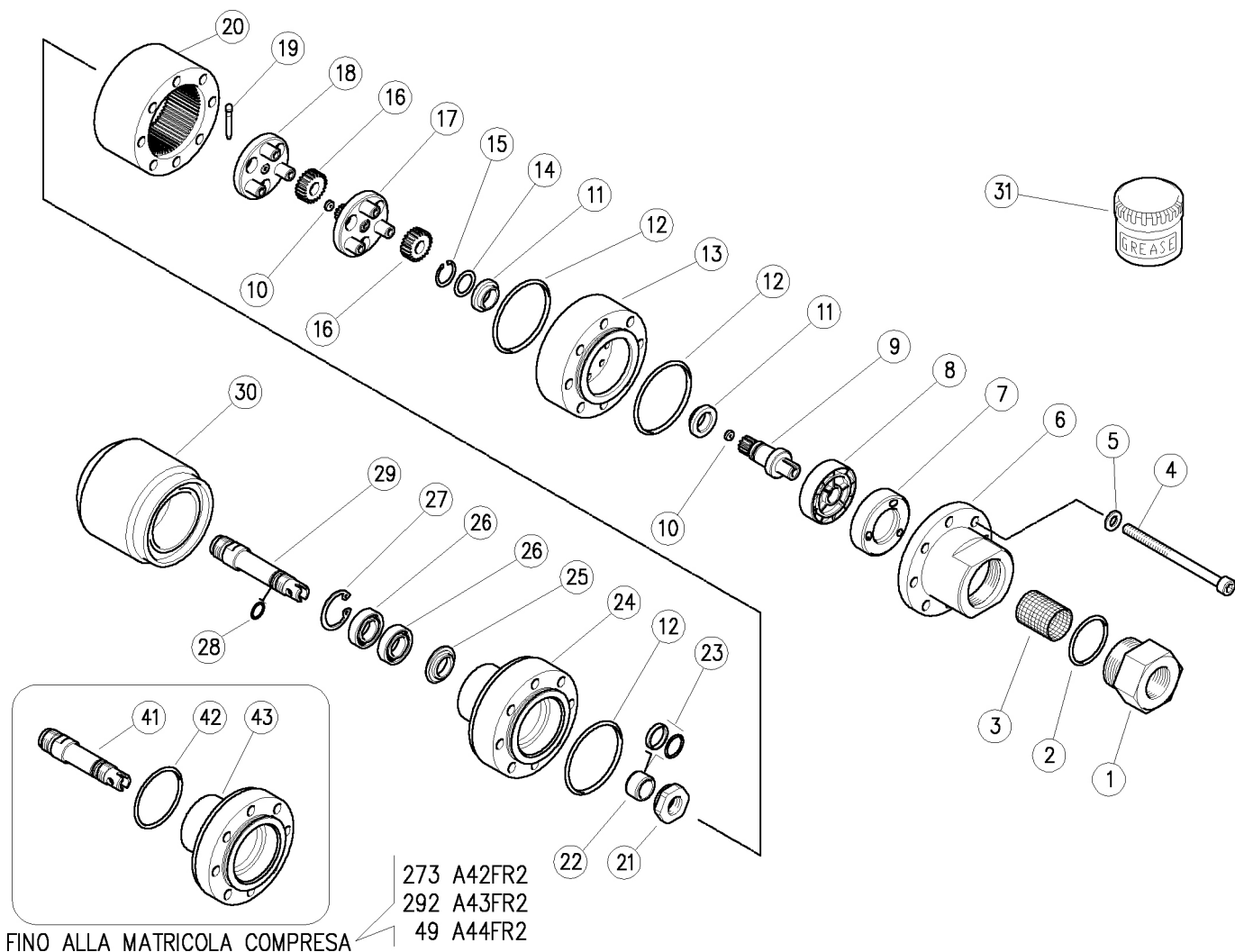
Kit	P/N	Description	Q.ty
K1	25.5181.24	Seals Spares Kit - A42R 6x1pcs.	1
K2	25.5182.24	Spares Kit - A42/43/44 7x1pcs.	1
K3	25.5183.24	Spares Kit - A42/43/44 2x1pcs.	1

Last updated 19/06/2014

(1) 25.5200.20 (2) 25.5200.24 (3) 25.5200.28 (4) 25.5200.33 (5) 25.5200.34

25.5150.20 A42FR2 Tank clean.,s/prop,20 l/min
 25.5150.26 A42FR2 Tank clean.,s/prop,30 l/min
 25.5150.33 A42FR2 Tank clean.,s/prop,60 l/min
 25.5150.40 A42FR2 Tank clean.,s/prop,40 l/min
 25.5190.26 A43FR2 Tank clean.,s/prop,30l/min

25.5190.30 A43FR2 Tank clean.,s/prop,40l/min
 25.5190.34 A43FR2 Tank clean.,s/prop,50 l/min
 25.5190.35 A43FR2 Tank clean.,s/prop,35l/min
 25.5400.30 A44FR2 Tank clean.,2-stage, 40 l/min
 25.5400.60 A44FR2 Tank clean.,2-stage, 60 l/min



Pos.	P/N	Description	Q.ty	K1	K2	K3	K4
1	80.0534.51	Inlet coupl., 1/2Bsp F Sst.	1				3
2	10.3077.10	O-ring, 1,78x28,3 mm Vi 70	1	•			10
3	28.0116.53	Strainer, D.21,5 L.26,5 mm 38mesh-700µm Sst.	1				5
4	16.1908.00	Screw, DIN912 M6x80 mm Sst.	8				10
5	14.3569.05	Washer, 6,4x11x1 mm Sst.	8				10
6	80.0533.51	Inlet housing, Sst.	1				1
7	80.0522.51	Injector, 3 ports, 1,8 mm Sst. (1)	1				3
7	80.0519.51	Ring injector, 3x2,4 mm Sst. (2,3)	1				1
7	80.0525.51	Ring injector, 5x3,3 mm Sst. (4)	1				1
7	80.0516.51	Ring injector, 3x3 mm Sst. (5,6,7)	1				1
7	80.0515.51	Ring injector, 3x2,6 mm Sst. (8)	1				1
7	80.0527.51	Ring injector, 4x3,4 mm Sst. (9)	1				1
7	80.0525.51	Ring injector, 5x3,3 mm Sst. (10)	1				1
8	80.0512.84	Turbine, plast.	1				3
9	80.0540.22	Planetary shaft, complete	1				1
10	80.0536.38	Shim ring, 1,2x6x2mm brz **	2	•			3
11	80.0548.84	Bushing ring	2	•			3
12	10.3034.10	O-ring, 1,5x46 mm Vi 70	3	•			10
13	80.0532.51	Sst. inlet flange	1				1
14	80.0510.53	Shim ring, 12,3x17x0,5mm Sst.	1				5

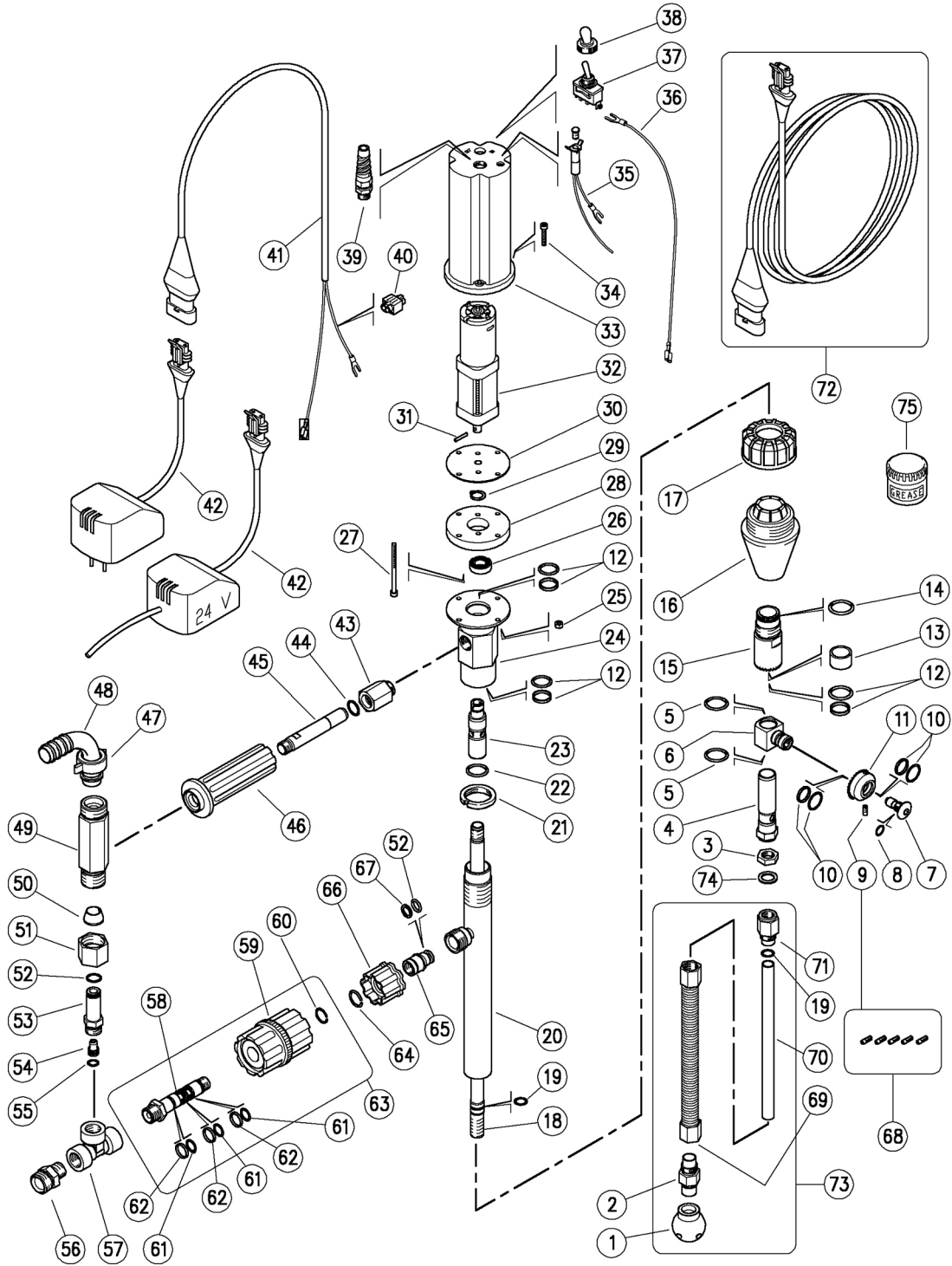
Pos.	P/N	Description	Q.ty	K1	K2	K3	K4
15	10.0999.05	Snap ring, E 12 Sst.	1		•		10
16	80.0501.38	Planetary gear, z.24 brz	6	•			3
17	80.0541.22	Plan. gear holder+3 pins+gear, Sst.	1				1
18	80.0538.22	Planetary gear holder+3 pins, Sst.+1 pin	1				1
19	80.0545.31	Fuse plug, D.3mm **	1	•			5
20	80.0524.51	Ring gear z.60, 2-stage cleaner, sst.	1				1
21	80.0504.51	Ring nut, M12x1 Sst.	1				1
22	80.0509.51	Seal holding bushing, Sst.	1		•		3
23	10.2035.16	Seal, 16x21x2,1 mm+Or.iVit.	1	•	•		5
24	80.0554.51	Fixed rest, Sst.	1				1
25	80.0550.31	Spacer ring, 12,3x27,5 brass	1				5
26	11.4412.28	Ball-bearing, 12x28x8 mm - 2RS1 Sst.	2	•			3
27	10.1011.05	Snap ring, I 28 Sst.	1		•		10
28	10.3019.10	O-ring, 1,5x9,5 mm Vi 70	1	•			10
29	80.0553.51	Propeller shaft, Sst.	1				1
30	80.0530.41	Spherical nozzle holder, 3x1/4 Npt Al.	1				1
30	80.0543.41	Spherical nozzle holder, 3x1/4"Npt Al. (6,9)	1				1
30	80.0544.41	Spherical nozzle holder, 4x1/4"Npt Al. (7)	1				1
31	14.6550.00	Teflon grease ×30g.>no Epdm **	1				2
41	80.0511.51	Propeller shaft, Sst.	1				1

** On request

Kit	P/N	Description	Q.ty
K1	25.5151.24	Seals Spares Kit - A42/43/44FR2 4x1pcs.	1
K2	25.5182.24	Spares Kit - A42/43/44 7x1pcs.	1
K3	25.5183.24	Spares Kit - A42/43/44 2x1pcs.	1


25.4363.00 M25E Barrel cl.,elect.driv+suct.,flex.
25.4363.24 M25E Barrel cl.,el.driv+suct.,flex. AUS

25.4363.25 M25E Barrel cl.,elect.driv+suct.,flex.
25.4363.60 M25E Barrel cl.,el.driv+suct.,flex.USA



Pos.	P/N	Description	Q.ty	K1	K2	K3	K4	
1	80.0330.81	Pierced buffer, POM white	1					5
2	80.0367.51	Coupl., M16x1 M Sst.	1					1
3	80.0328.51	Ring nut, 1/4F Bsp Sst.	1					5
4	80.0327.51	Seal holding pin, Sst.	1					5
5	10.3010.10	O-ring, 1x18 mm Vi 70	2	•				10
6	80.0331.51	Stator, Sst.	1					1
7	80.0325.51	Pin, M10x1 Sst.	1					1
8	10.3055.10	O-ring, 1,78x7,66 mm Vi 70	1	•				10
9	15.3704.00	Plug, M4 plast.	2					4
9	80.0350.51	Nozzle, 02 - 1,0mm - M4 Sst. light green	2	•				10
9	80.0351.51	Nozzle, 025 - 1,1mm - M4 Sst. pink	2	•				10
9	80.0352.51	Nozzle, 03 - 1,2mm - M4 Sst. white	2	•				10
9	80.0353.51	Nozzle, 035 - 1,3mm - M4 Sst. brown	2	•				10
9	80.0354.51	Nozzle, 04 - 1,4mm - M4 Sst. yellow	2	•				10
10	10.2030.00	Stem seal, 15x20x2,2 mm +O-ring	2	•				4
11	80.0326.51	Nzl hold. pinion, z.41 M4 FF Sst.	1					3
12	10.2030.18	Stem seal, 18x23x2 mm +O-ring Epdm	3	•				5
13	80.0024.85	Bushing, opn. 18x22x14,8mm PTFE	1					5
14	10.3026.10	O-ring, 1,5x20 mm Vi 70	1	•				10
15	80.0372.23	Pinion, z.34 Sst.+bushing,opn.15mm PTFE	1					3
16	80.0365.84	Tapered plug, short TPEs black	1					3
17	80.0316.84	Ring nut, PP black	1					10
18	80.0364.56	Tube, 1/4Bsp MM 420mm Sst.	1					3
19	10.3007.10	O-ring, 1x12 mm Vi 70	2	•				10
20	80.0362.21	Tube, 322mm + coupling, M22 Sst.	1					3
21	80.0012.51	Ring nut, M28x1 Sst.	1					1
22	10.3205.10	O-ring, 2,62x26,64 mm Vi 70	1	•				10
23	80.0321.51	Propeller shaft, Sst.	1					1
24	80.0341.21	Manifold, Sst.	1					2
25	11.4513.10	Hex. nut, M4, Sst.	4					10
26	11.4412.28	Ball-bearing, 12x28x8 mm - 2RS1 Sst.	1					3
27	16.1860.00	Screw, DIN912 M4x60 mm Sst.	2					10
28	80.0318.41	Motor flange	1					3
29	10.0999.05	Snap ring, E 12 Sst.	1					10
30	80.0317.88	Motor seal, NBR	1					2
31	15.1030.00	Roll pin, 3x16 mm Sst.	1					10
32	13.0827.00	Gearmotor, 12V 10Rpm	1					1
33	80.0301.84	Motor casing, PA black	1					1
34	16.1856.00	Screw, DIN912 M4x25 mm Sst.	4					10
35	12.5019.31	Pilot lamp	1					5
36	12.5019.25	Cable, 1x0,75 L.250 mm	1					5
37	12.5016.10	On/off unipol. switch	1					3

** On request

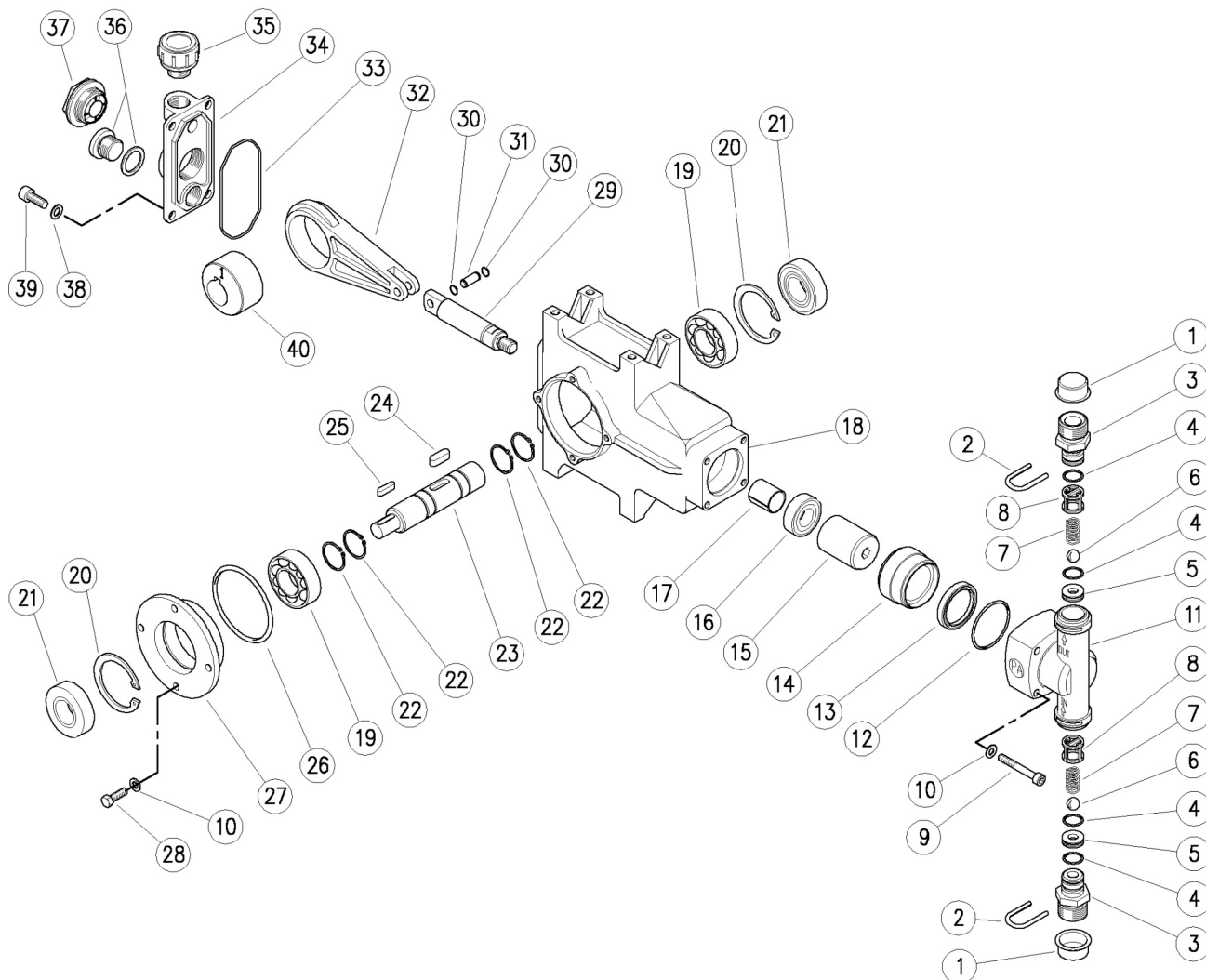
Kit	P/N	Description	
K1	25.4320.24	Nozzle kit M4 - M21E 2x5pcs.	1
K2	25.4360.24	Seals Kit - M25E (S/No.519>) 13x1pcs.	1

(1) 25.4363.00 (2) 25.4363.24 (3) 25.4363.25 (4) 25.4363.60

Pos.	P/N	Description	Q.ty	K1	K2	K3	K4	
38	12.5016.05	Switch protector	1					5
39	13.5997.00	Cable gland 1/4 +protection	1					5
40	12.5019.47	Wire tap-in	1					5
41	12.5019.10	Cable, 2x1,5 mm 10m+F connection	1					5
42	12.5071.00	Transf. 230VAC/12VDC EU (1)	1					1
42	12.5071.24	Transf. 240VAC/12VDC AUS (2)	1					1
42	12.5071.25	Transf. 24VAC/12VDC EU (3)	1					1
42	12.5071.60	Transf. 115VAC-60Hz/12VDC USA (4)	1					1
43	80.0338.31	Coupl., M16x1 M brass+Ni	1					10
44	10.3179.10	O-ring, 2,62x13,94 mm Vi 70	1	•				10
45	80.0337.56	Intake tube, 1/4M Bsp 113mm Sst.	1					3
46	80.0344.85	Knob, 32x110mm PP black	1					5
47	80.0347.35	Hand nut, G3/4 brass+Ni	1					5
48	80.0346.35	Elbow+hose barb, 20mm brass+Ni	1					3
49	80.0336.31	Venturi fitting, brass+Ni	1					3
50	80.0335.81	Taper.ring.opn. 14x20x11mm POM white	1					10
51	80.0334.31	Ring nut, M24x1,5 brass+Ni	1					5
52	10.3109.95	O-ring, 2,4x9,3 mm Vi 70	2	•				25
53	80.0333.31	Nozzle holder, 3/8M Bsp brass+Ni	1					3
54	25.0019.51	Nozzle, 02 d.10,5x15 mm Sst.	1					5
55	10.3052.00	O-ring, 1,78x6,75 mm	1	•				25
56	80.0348.31	Coupl., 3/8M Bsp-M22x1 M brass+Ni	1					3
57	80.0349.35	T-fitting, 3/8Bsp FFF brass+Ni	1					3
58	80.0402.31	Slide valve, 3/8M-1/4M Bsp brass	1					3
59	80.0403.21	Knob, PA black + Insert, brass	1					3
60	29.0402.51	Snap ring, 1,6x14,3 mm Sst.	1					5
61	10.3058.10	O-ring, 1,78x10,82 mm Vi 70	3	•				10
62	10.4058.00	Back-up ring, opn. 14x16x2 mm	3	•				10
63	80.0400.00	Flow regulator -RF1, 3/8M -1/4M Bsp	1					3
64	26.0252.51	Snap ring, 1,5x15,5 mm Sst.	1					10
65	26.0261.31	Plug, 14mm-1/4F Bsp brass	1					10
66	26.0260.22	Hand nut, M22x1,5 - 17,5mm black	1					10
67	10.4010.01	Back-up ring,10,2x13,9x1,2mm	1	•				50
68	25.4320.24	Nozzle kit M4 - M21E 2x5pcs.	1					1
69	80.0371.21	Spring, Sst.	1					1
70	80.0370.86	Hose, 10x12, 339mm PA white	1					1
71	80.0366.51	Suction coupl., 1/4F Bsp-M16x1 M Sst.	1					1
72	25.4353.20	Exten.-M21E 20m 12V DC MF **	1					1
73	25.4367.24	Suction tube kit -M25E, 6x1pcs.	1					1
74	14.3911.00	Washer, 13,5x19x1,5 mm Cu	1					10
75	14.6552.00	Teflon silicon grease x30g.>All **	1					2

52.0000.00 Plunger pump 1,0 l/min -20 bar Phase 1

52.0000.02 Plunger pump 1,0 l/min -20 bar Phase 2

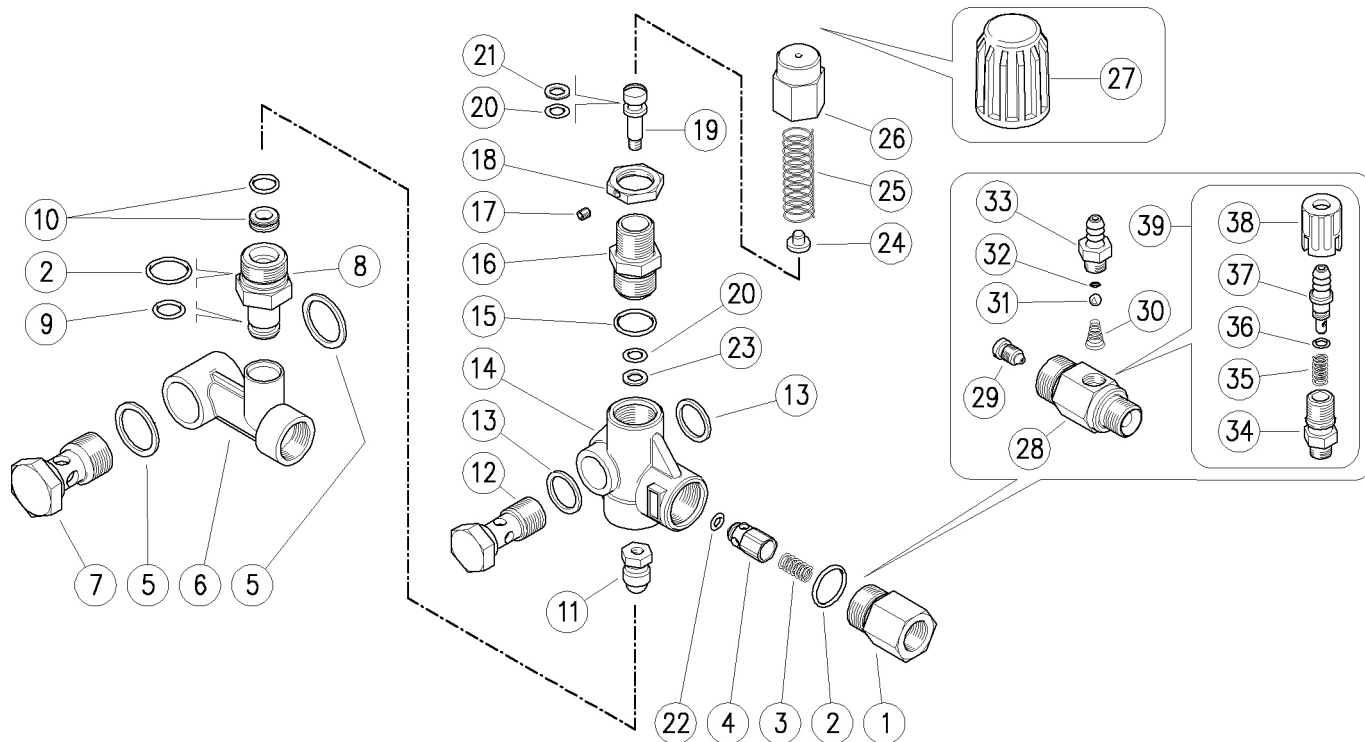


Pos.	P/N	Description	Q.ty	K1	K2	K3	K4	Pos.	P/N	Description	Q.ty	K1	K2	K3	K4
1	15.3700.00	Plug, 20,5 mm pvc	2				10	22	10.1020.00	Snap ring, E 20	4				5
2	29.0087.51	U-bolt, Sst.	2				10	23	52.0005.61	Pump shaft	1				1
3	52.0016.51	Valve coupl., 1/2M Bsp Sst.	2				1	24	12.3006.18	Feather, 6x6 mm	1				5
4	10.3060.18	O-ring, 1,78x12,42 mm EPDM	4	•			5	25	12.3004.16	Feather, 4x4 mm	1				5
5	52.0012.51	Seat, 7x15,9x4,5 mm Sst.	2		•		1	26	10.3080.00	O-ring, 1,78x56,87 mm	1	•			5
6	14.7443.25	Ball, 11/32" Sst. Aisi 316	2		•		5	27	52.0002.41	Case flange, alum.	1				1
7	52.0010.51	Spring, 0,3x7,1x7,5 mm Sst.	2		•		1	28	16.1871.14	Screw, DIN933 M5x14 mm z.pl.	4				10
8	25.1337.84	Ball cage	2		•		1	29	52.0007.61	Plunger shaft	1				1
9	16.1869.35	Screw, DIN912 M5x35 mm z.pl.	4				5	30	10.0956.00	Snap ring, E 6	2				5
10	14.3560.61	Washer, 5,3x10x1 mm	8				10	31	52.0006.61	Plug, 6x20mm	1				1
11	52.0015.84	Pump head, PA black	1				1	32	52.0003.34	Pump connecting rod, alum.	1				1
12	10.3079.10	O-ring, 1,78x34,65 mm EPDM	1	•			10	33	10.3081.63	O-ring, 1,78x63,22 mm	1	•			10
13	10.2028.00	Stem seal, 28x34,2x4,2 mm	1	•			4	34	52.0001.44	Coperchio alum. per carter	1				1
14	52.0011.81	Bushing, 28mm POM	1				1	35	15.3726.00	Oil plug 3/8" Bsp+seal	1				5
15	52.0008.51	Plunger, 28 mm	1				1	36	15.3738.10	Oil plug 3/8" Bsp+seal	1				5
16	10.2016.30	Seal ring, 16x30x7 mm	1	•			3	37	15.3734.00	See-through oil plug 3/4" Bsp+seal	1				5
17	10.4216.18	Bushing, DU 16x18x20 mm	1				5	38	14.3568.00	Washer, 6,4x11x1 mm	4				10
18	52.0014.44	Pump housing, alum.	1				1	39	16.1888.00	Screw, DIN912 M6X16 mm z.pl.	4				10
19	11.4320.42	Ball-bearing, 20x42x12 mm	2				2	40	52.0004.61	Cam ring	1				1
20	10.1042.00	Snap ring, I 42	2				5	40	52.0004.61	Cam ring (1)	1				1
21	10.2020.42	Seal ring, 20x42x7 mm	2	•			3								
Kit	P/N	Description													
K1	52.0018.24	Pump Seals-Kit, 28mm 7x1pcs.					1								
K2	52.0021.24	Spares-kit, suct.+deliv. valves,4x1pcs.					1								

(1) 52.0000.02

60.0765.00 VB75 unload. 4,5/56
60.0768.10 VB75 valve x:4,5 y:63 O-rings viton

60.0770.00 VB75 unload. X:4,5 Y:64
60.0930.00 VB75 unload. X:18 Y:62-73



Pos.	P/N	Description	Q.ty	K1	K2	K3	K4	
1	60.0058.31	Delivery coupl., 3/8F Bsp brass	1					5
2	10.3070.02	O-ring, 1,78x18,77 mm Ni 85	2	•	•			10
2	10.3070.10	O-ring, 1,78x18,77 mm Vi 70 (1)	2					10
3	60.0053.51	Spring, 0,7x9x20 mm Sst.	1					10
4	60.0052.99	Shutter pin, brass+o-ring 3x6 mm	1					10
4	60.0052.91	Shutter pin, brass+o-ring 3x6 mm V (1)	1					10
5	14.4101.00	Sealing washer, 1/2 Bsp	2					10
6	60.0766.35	Valve manifold, 1/2F Bsp brass (2)	1					3
6	60.0783.35	Valve manifold, 1/2F Bsp brass (3)	1					5
6	60.0771.35	Valve manifold, 1/2F Bsp brass (1,4)	1					3
7	60.1008.31	Pierced crew, 1/2M Bsp 41,5mm brs.	1					10
8	60.0782.31	Seat holder, 15x16 mm brass	1					10
8	60.0931.31	Seat holder, 15 mm brass (3)	1					10
9	10.3109.96	O-ring, 2,4x10,3 mm Vi 70	1					10
10	60.0259.20	Seat, 8mm + O-ring, 1,78mm	1	•	•			10
11	60.1708.21	Rest, M5 Sst.+ball, 11/32" Sst.	1	•	•			5
12	60.1007.31	Pierced crew, 3/8M Bsp 41,5mm brs.	1					10
13	14.4100.00	Sealing washer, 3/8 Bsp	2					10
14	60.0784.35	Valve housing -VB75, brass	1					5
15	10.3068.01	O-ring, 1,78x17,17 mm Ni 85	1	•	•			10
15	10.3068.10	O-ring, 1,78x17,17 mm Vi 70 (1)	1					10
16	60.0708.31	Piston holder, brass	1					10
17	16.2100.00	Set screw, DIN914 M4x4 mm	1					10
18	60.1018.31	Ring nut, M18x1 brass	1					10

Pos.	P/N	Description	Q.ty	K1	K2	K3	K4	
19	60.0704.99	Piston, M6 Sst.+or+p/back N	1					10
19	60.0704.92	Piston, M6 Sst.+or+p/back V. (1)	1					10
20	10.3169.00	O-ring, 2,62x6,02 mm	2	•	•			10
20	10.3169.10	O-ring, 2,62x6,02 mm viton (1)	1					10
21	10.4023.00	Back-up ring, opn. 6,4x11x1,2 mm	1	•	•			10
22	10.3213.00	O-ring, 3x6 mm	1	•	•			10
22	10.3213.10	O-ring 3 x 6 mm Viton (1)	1					10
23	10.4024.00	Back-up ring, 7x11,6x1,2 mm	1	•	•			25
24	60.0310.61	Spring guide, z.pl.	1					10
25	60.0313.61	Spring, 3x12,3x41 mm	1					10
26	60.0304.31	Valve regulating knob, brass	1					5
27	60.0315.84	Knob VB 7 / 130,plast, hexag.22 **	1					10
28	21.0261.31	Inject.hous.,M22x1,5M-3/8M Bsp brass	1					3
29	21.0213.51	Nozzle, M8x1 - 2,1 mm Sst.	1					10
30	21.0160.51	Tapered spring, Sst. -inject.	1					10
31	14.7420.01	Ball, 7/32" Sst. Aisi 316	1					10
32	10.3049.00	O-ring, 1,78x5,28 mm Vi 70	1					10
33	21.0003.31	Hose barb, 8 - M12x1 mm brass	1					10
34	21.0173.31	Coupling, M12x1-1/4M Bsp brass	1					10
35	21.0158.51	Spring, 0,8x7x15 mm Sst.	1					10
36	10.3043.01	O-ring, 1,78x4,48 mm Vi 70	1					10
37	21.0155.99	Hose barb, d.8 mm brass+o-ring	1					3
38	21.0171.84	Inject.knob, 1/4F Bsp black	1					10
39	21.0100.00	Regulator+h.barb 8-M12x1mm brs. inject.	1					50

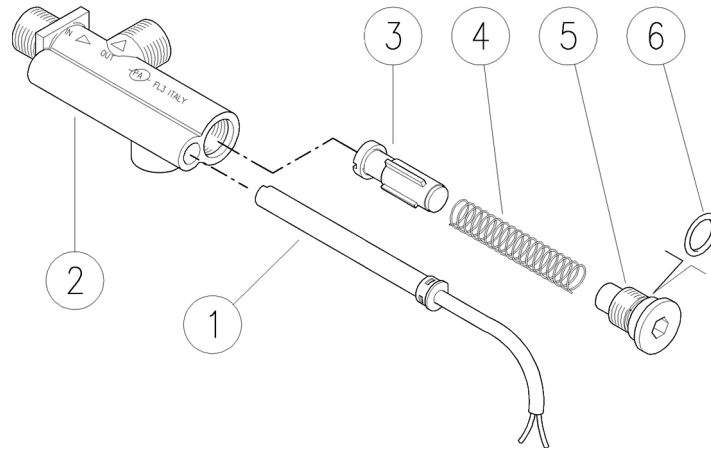
** On request

Kit	P/N	Description	
K1	60.0722.24	Spares kit -VB7, 9x5pcs.	1
K2	60.0719.24	VB7/3 valve, repair kit pcs.9x1	1

(1) 60.0768.10 (2) 60.0765.00 (3) 60.0930.00 (4) 60.0770.00

28.0500.10 FL3 Flow switch 3/8MM Bsp
 28.0530.10 FL3 Flow switch 3/8MM +1/4F Bsp

28.0540.10 FL3-2 Fl.switch 3/8MM Bsp brass pist.

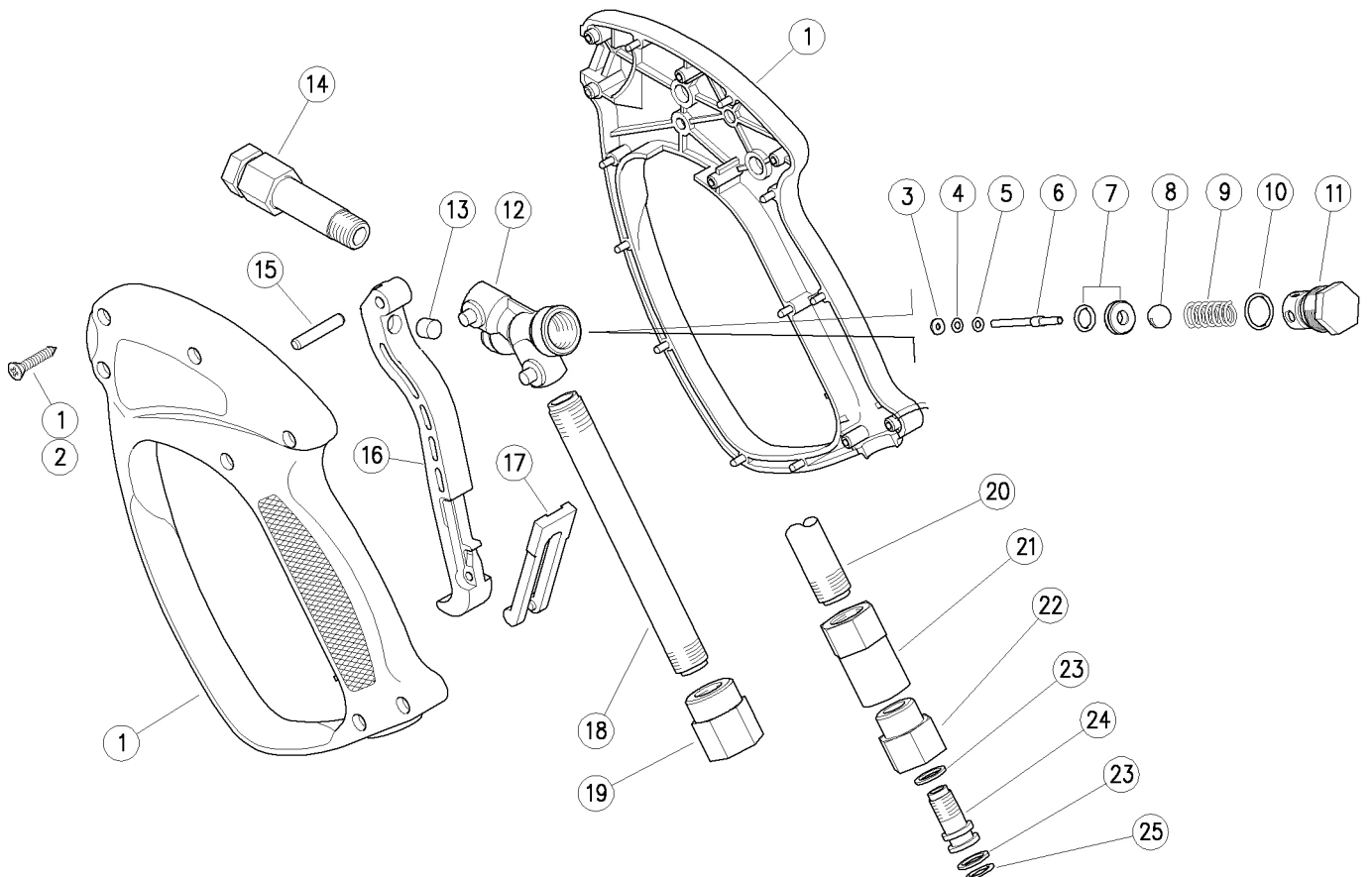


Pos.	P/N	Description	Q.ty	K1	K2	K3	K4		Pos.	P/N	Description	Q.ty	K1	K2	K3	K4	
1	28.0518.23	Feeler, 3A +1250 mm cable	1					5	3	28.0508.23	Magnet holder, brass (2)	1					5
2	28.0501.35	Fl/sw. housing, 3/8MBsp -3/8M Bspt brass	1					3	4	28.0505.51	Spring, 0,7x11,7x52 mm Sst.	1					5
2	28.0531.35	Fl/sw.hous., 3/8M Bsp-3/8M Bspt-1/4F brs (1)	1					3	5	28.0517.31	Plug -fl/sw., M14x1 brass	1					5
3	28.0502.23	Magnet holder,plast. POM	1					5	6	10.3059.01	O-ring, 1,78x11,11 mm Ni 85	1					10

(1) 28.0530.10 (2) 28.0540.10

30.1200.00 RL37 spr.gun 3/8F-1/4F Bsp
 30.1200.50 RL37 spr.gun 3/8F-1/4F Npt
 30.1200.80 RL37 gun -3/8-1/4Bsp MF

30.1210.00 RL37 weep gun -3/8-1/4Bsp FF
 30.1215.00 RL37 weep gun+sw6 -Bsp3/8F x 1/4F
 30.1220.00 RL37 spr.gun +sw.6 3/8F-1/4F Bsp



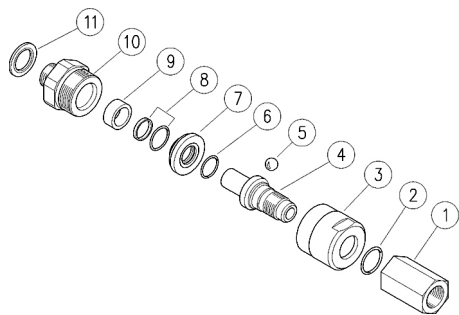
Pos.	P/N	Description	Q.ty	K1	K2	K3	K4	
1	30.1207.24	Casing-kit -RL37 +screws, Sst.	1					1
2	16.3077.00	S/tapping screw, DIN7981 3,5x18 mm	7					10
2	16.3075.51	S/tapping screw, DIN7981 3,5x18 mm Sst. (1)	7					10
3	10.4018.00	Back-up ring, 3,2x7,5x1,2 mm	1	•	•			10
4	10.3165.00	O-ring, 2,62x2,84 mm Vi 70	1	•	•			10
5	14.3511.00	Washer, 3,2x7x0,5 mm sst.	1	•	•			10
6	30.0704.51	Piston, 3-4 mm Sst.	1	•	•			10
7	30.1708.20	Seat, 6mm Sst.+O-ring 1,78mm NBR85	1	•	•			10
7	30.0716.20	Weep.seat,5,8mm+O-ring (l.1,1) (1)	1					10
8	14.7448.00	Ball, 5/16" Sst.	1	•	•			10
9	30.2596.51	Spring, 1,5x6,1x23 mm Sst.	1					10
10	10.3020.02	O-ring, 1,5x10 mm Ni 85	1	•	•			10
11	30.2595.31	Spring plug, M16x1 brass	1					10
12	30.1205.35	Housing -RL37, brass	1					5
13	30.0675.84	Stop pin, 8x7,1mm PA	1					10
14	30.2006.35	Front tube, 1/4F Bsp 72 mm brass	1					5

Pos.	P/N	Description	Q.ty	K1	K2	K3	K4	
14	30.2008.35	Front tube, 1/4F Npt 72 mm brass (2)	1					10
15	30.2517.31	Parallel pin, 5x27,5 mm brass	1					10
16	30.1204.84	Trigger -RL37, PA black	1					10
17	30.1510.84	Safety latch, PA red	1					10
17	30.1515.84	Safety latch, PA blue (1,3)	1					10
18	30.1203.66	Tube, 1/4Bsp MM 140 mm z.pl.	1					5
19	30.1206.31	Coupl., 1/4F-3/8F Bsp brass (4)	1					5
19	30.1208.31	Coupl., 1/4F Bsp-3/8F Npt brass (2)	1					5
19	30.1212.31	Adapter, 1/4F-3/8M Bsp brass (5)	1					5
20	30.1221.66	Tube, 1/4Bsp MM 115 mm z.pl. (6)	1					5
21	30.1222.31	Adapt., M10x1F-1/4F Bsp brass (6)	1					5
22	30.2019.31	Coupl., 3/8F Bsp brass (6)	1					5
23	10.4010.01	Back-up ring,10,2x13,9x1,2mm (6)	2	•				50
24	30.2017.51	Pin, SW M10x1 M Sst. (6)	1					5
25	10.3171.10	O-ring, 2,62x9,19 mm Vi 70 (6)	1	•				10

Kit	P/N	Description	
K1	30.1209.24	Repair kit -RL37, 8x1pcs.	1
K2	30.1224.24	Repair kit -RL37+sw6 10x1pcs.	1

(1) 30.1210.00 (2) 30.1200.50 (3) 30.1215.00 (4) 30.1200.00 (5) 30.1200.80 (6) 30.1220.00

30.5840.00 SW600 Swivel,ball-bear,sst. 3/8FM Bsp



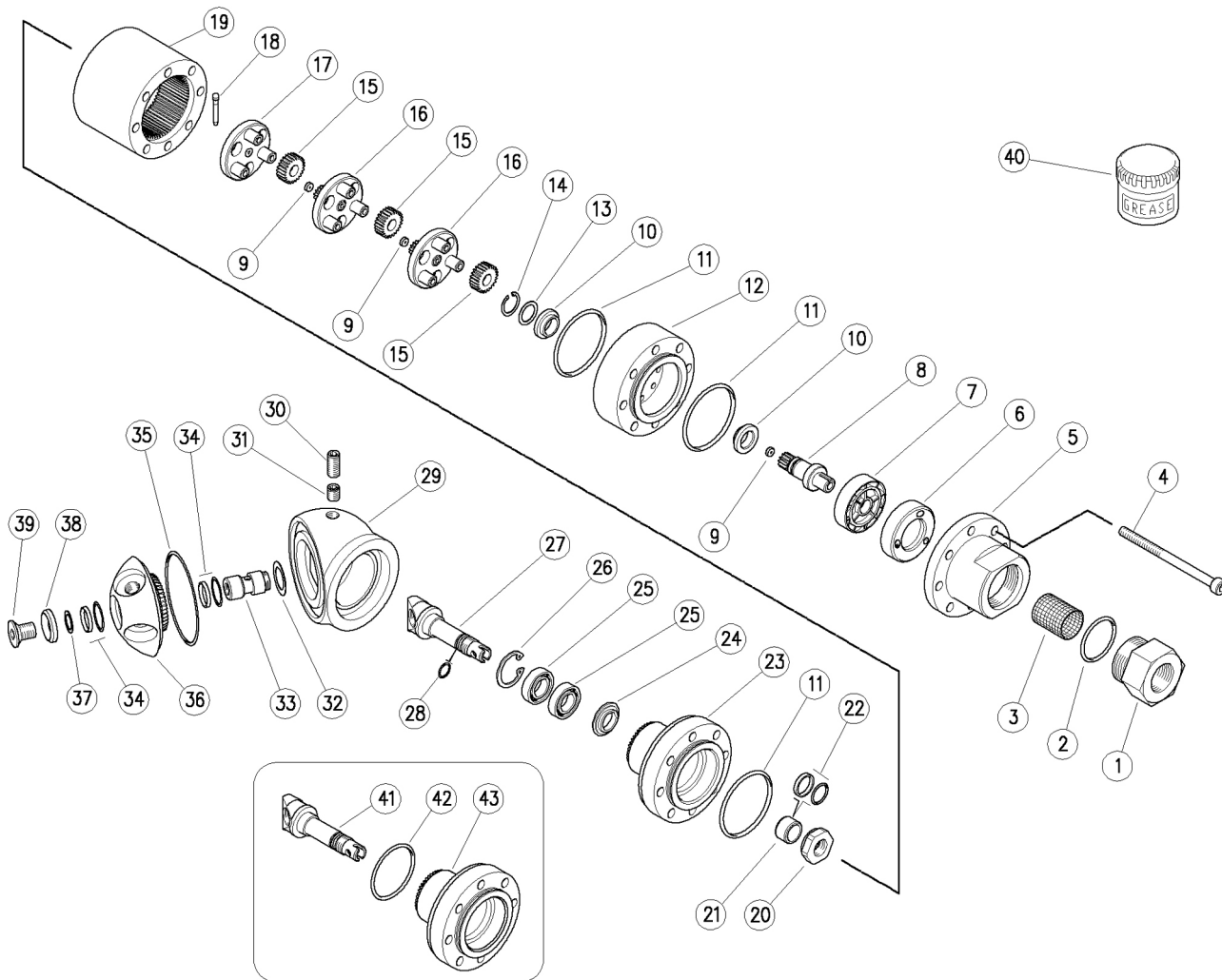
Pos.	P/N	Description	Q.ty	K1	K2	K3	K4	
1	30.5843.51	Coupl., M16x1,5F-3/8F Bsp Sst.	1					3
2	10.3068.01	O-ring, 1,78x17,17 mm Ni 85	1					10
3	30.5846.51	Ring nut, M30x1F Sst.	1					3
4	30.5845.51	Pin, M16x1,5 Sst.	1					3
5	14.7404.00	Ball, 3,5 mm Sst.	20					10
6	10.3064.01	O-ring, 1,78x14 mm Ni 85	1					10
7	30.5842.51	Spacer ring, Sst.	1					3
8	10.2030.13	Stem seal, 13,5x18,4x2 mm +O-ring	1					5
9	30.5841.85	Bushing, 13,5x18,5x8mm plast. black	1					5
10	30.5844.51	Coupl., M30x1M-3/8M Bsp Sst.	1					3
11	14.4103.00	Sealing washer, 3/8 Bsp	1					5

25.5180.20 A42-R Tank clean.,s/prop., 20 l/min

25.5180.30 A42-R Tank clean.,s/prop., 30 l/min

25.5180.40 A42-R Tank clean.,s/prop., 40 l/min


25.5180.50 A42-R Tank clean.,s/prop.,50 l/min



FINO ALLA MATRICOLA 98 COMPRESA

Pos.	P/N	Description	Q.ty	K1	K2	K3	K4	
1	80.0534.51	Inlet coupl., 1/2Bsp F Sst.	1					3
2	10.3077.10	O-ring, 1,78x28,3 mm Vi 70	1	•				10
3	28.0116.53	Strainer, D.21,5 L.26,5 mm 38mesh-700µm Sst.	1					5
4	16.1909.00	Screw, DIN912 M6x90 mm Sst.	8					10
5	80.0533.51	Inlet housing, Sst.	1					1
6	80.0516.51	Ring injector, 3x3 mm Sst.	1					1
6	80.0514.51	Ring injector, 3x2 mm Sst. (1)	1					1
6	80.0526.51	Ring injector, 4x3,2 mm Sst. (2)	1					1
6	80.0525.51	Ring injector, 5x3,3 mm Sst. (3)	1					1
7	80.0512.84	Turbine, plast.	1					3
8	80.0540.22	Planetary shaft, complete	1					1
9	80.0536.38	Shim ring, 1,2x6x2mm brz **	3	•				3
10	80.0548.84	Bushing ring	2	•				3
11	10.3034.10	O-ring, 1,5x46 mm Vi 70	3	•				10
12	80.0532.51	Sst. inlet flange	1					1
13	80.0510.53	Shim ring, 12,3x17x0,5mm Sst.	1					5
14	10.0999.05	Snap ring, E 12 Sst.	1	•				10
15	80.0501.38	Planetary gear, z.24 brz	9	•				3
16	80.0541.22	Plan. gear holder+3 pins+gear, Sst.	2					1
17	80.0538.22	Planetary gear holder+3 pins, Sst.+1 pin	1					1
18	80.0545.31	Fuse plug, D.3mm **	1	•				5
19	80.0542.51	Ring gear z.60, 3-stage cleaner, sst.	1					1
20	80.0504.51	Ring nut, M12x1 Sst.	1					1

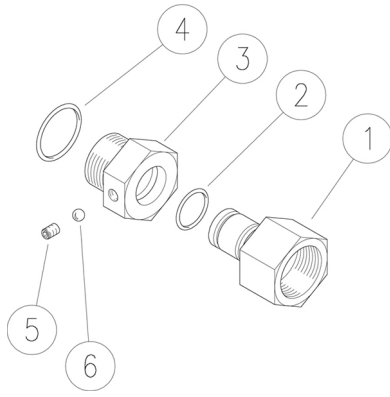
** On request

Kit	P/N	Description	
K1	25.5181.24	Seals Spares Kit - A42R 6x1pcs.	1
K2	25.5182.24	Spares Kit - A42/43/44 7x1pcs.	1
K3	25.5183.24	Spares Kit - A42/43/44 2x1pcs.	1

(1) 25.5180.20 (2) 25.5180.40 (3) 25.5180.50

Pos.	P/N	Description	Q.ty	K1	K2	K3	K4	
21	80.0509.51	Seal holding bushing, Sst.	1				•	3
22	10.2035.16	Seal, 16x21x2,1 mm+Or.iVit.	1	•			•	5
23	80.0552.51	Pinion z:45 sst.	1					1
24	80.0550.31	Spacer ring, 12,3x27,5 brass	1					5
25	11.4412.28	Ball-bearing, 12x28x8 mm - 2RS1 Sst.	2	•				3
26	10.1011.05	Snap ring, I 28 Sst.	1	•				10
27	80.0551.51	Propeller shaft, Sst.	1					1
28	10.3019.10	O-ring, 1,5x9,5 mm Vi 70	1	•				10
29	80.0523.41	Spherical cap -A42R/R2, Al.	1					1
30	16.2225.00	Set screw, DIN913 M8x16 mm Sst.	1					10
31	16.2221.00	Set screw, DIN914 M8x8 mm Sst.	1					10
32	80.0513.53	Shim ring, 15,4x23x0,3mm Sst.	1					5
33	80.0507.51	Pin, M12x1M-M8F Sst.	1					3
34	10.2035.00	Stem seal, 15x20x2 mm +O-ring	2	•				4
35	10.3270.10	O-ring, 3,53x59,92 mm Vi 70	1	•				10
36	80.0539.22	Nzl hold,3x1/8Npt Al+gear z.47	1					1
37	80.0505.53	Shim ring, 8,3x14x0,3mm Sst.	1					5
38	80.0015.51	C/sunk washer, 8,5x22x4,5mm Sst.	1					3
39	16.1954.12	Screw, DIN7991 M8x12 mm Sst.	1					10
40	14.6550.00	Teflon grease x30g.>no Epdm **	1					2
41	80.0506.51	Propeller shaft, Sst.	1					1
43	80.0520.51	Pinion, z.45 Sst.	1					1

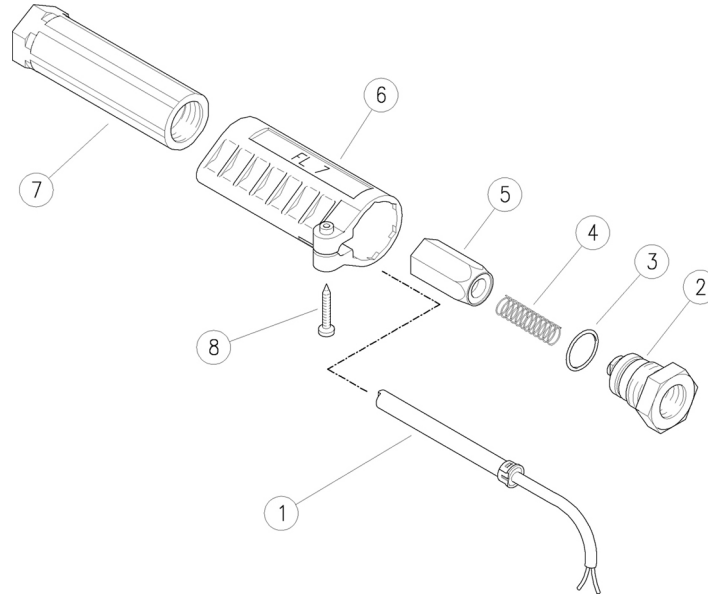
30.6480.00 Sw65 Swivel, ball-bearing, brass 1/2FM Bsp



Pos.	P/N	Description	Q.ty	K1	K2	K3	K4	
1	30.6482.31	Coupl. -SW, 1/2F Bsp brass	1					1
2	10.3059.10	O-ring, 1,78x11,11 mm Vi 70	1					10
3	30.6481.31	Coupl. -SW, 1/2M Bsp brass	1					1
4	10.3068.00	O-ring, 1,78x17,17 mm	1					10
5	16.2100.51	Set screw, DIN913 M4x4 mm Sst.	1					10
6	14.7403.00	Ball, 3 mm Sst.	16					10

28.0400.10 FL7 Flow switch 3/8FF Bsp

28.0400.38 FL7 Flow switch 3/8FF Bsp, 4 l/min



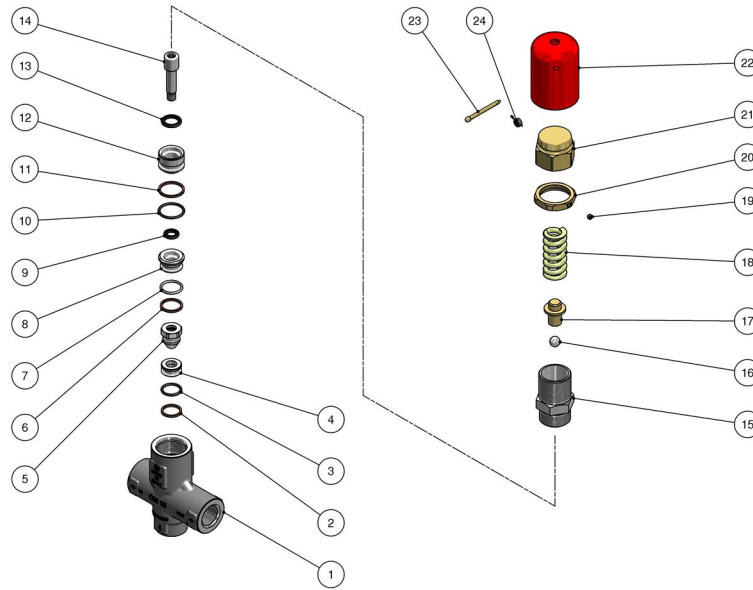
Pos.	P/N	Description	Q.ty	K1	K2	K3	K4	
1	28.0518.23	Feeler, 3A +1250 mm cable	1					5
2	28.0404.31	Fl/sw. coupl., M22M-3/8F Bsp br.	1					3
3	10.3066.01	O-ring, 1,78x15,6 mm Ni 85	1					10
4	28.0406.51	Spring, 0,4x8,4x33 mm Sst.	1					5
5	28.0410.23	Magnet holder, brass	1					5

Pos.	P/N	Description	Q.ty	K1	K2	K3	K4	
5	28.0418.23	Magnet holder, brass (1)	1					5
6	28.0408.84	Flow switch housing, PA	1					5
7	28.0401.31	Fl/sw. housing, M22x1,5F-3/8F Bsp brass	1					3
8	16.3021.18	S/tapping screw, DIN7981 2,5x16 mm	1					10

(1) 28.0400.38

60.1423.14 VS23-14 MPa-200°C safety valv. PED 1/2Bsp
 60.1423.15 VS23-15 MPa-200°C safety valv. PED 1/2Bsp
 60.1423.20 VS23-20 MPa-200°C safety valv. PED 1/2Bsp

60.1423.22 VS23-22 MPa-200°C safety valv. PED 1/2Bsp
 60.1423.25 VS23-25 MPa-200°C safety valv. PED 1/2Bsp
 60.1423.28 VS23-28 MPa-200°C safety valv. PED 1/2Bsp

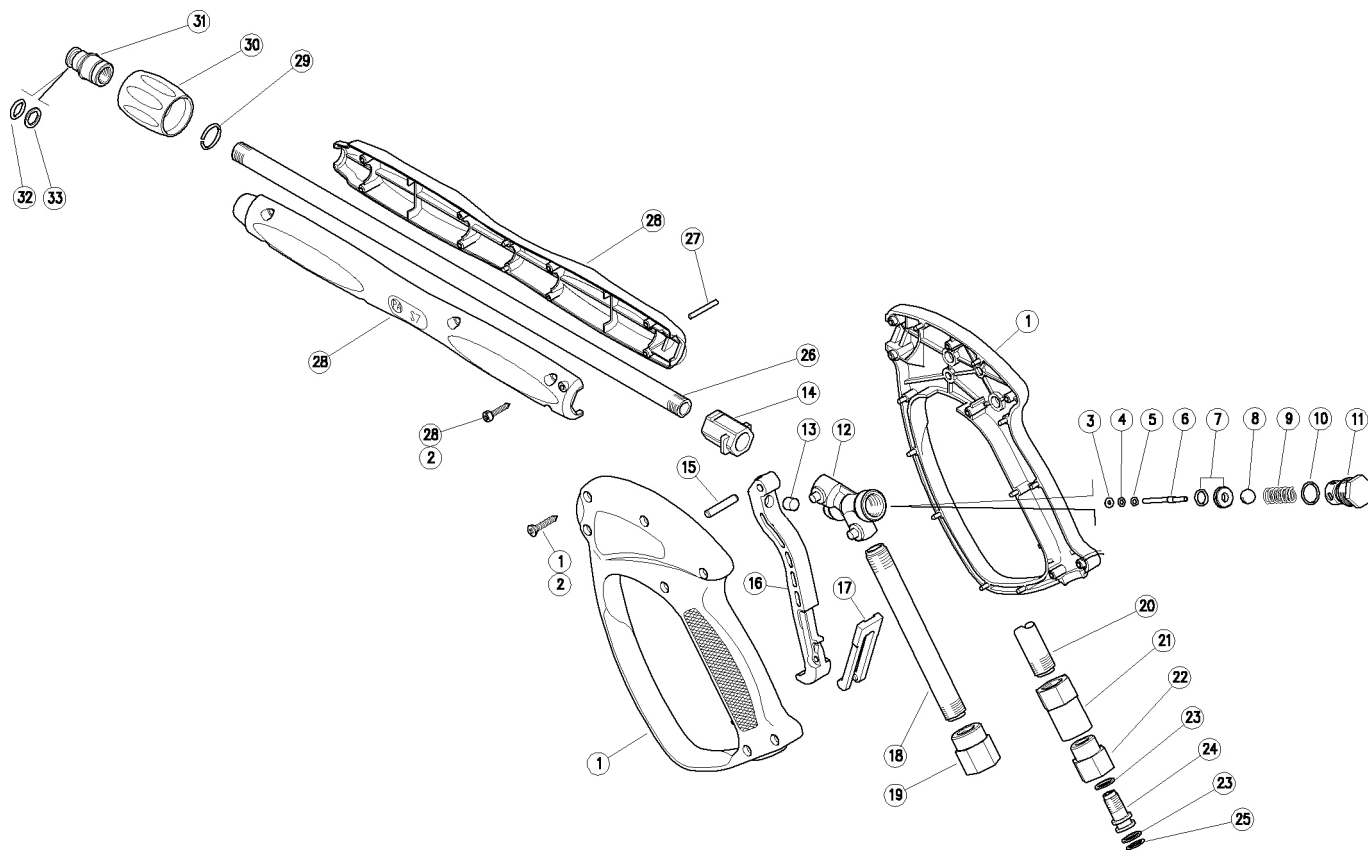


Pos.	P/N	Description	Q.ty	K1	K2	K3	K4	
1	60.5401.55	Sst. housing -VS23-VRP/P600, 1/2F Bsp	1					1
2	10.4036.17	Back-up ring, 14x2x17x1,5 mm	1					10
3	10.3060.10	O-ring, 1,78x12,42 mm Vi 70	1					10
4	60.5404.51	Seat, 9,2x17x7,5 mm Sst.	1					5
5	60.5403.51	Shutter pin, M7 Sst.	1					3
6	10.4039.00	Back-up ring, 15,7x18,5x1,5 mm	1					10
7	10.3066.10	O-ring, 1,78x15,6 mm Vi 70	1					10
8	60.5410.51	Lower spacer ring, 8x21,4x11,5 mm Sst.	1					3
9	10.2008.00	Stem seal, 8x13x2,2 mm +O-ring	1					5
10	10.3070.10	O-ring, 1,78x18,77 mm Vi 70	1					10
11	10.4057.00	Back-up ring, 18,7x21,5x1,5 mm	1					10
12	60.5409.51	Upper spacer ring, 8,3x21,5x17 mm Sst.	1					3

Pos.	P/N	Description	Q.ty	K1	K2	K3	K4	
13	10.2013.00	Stem seal, 12x17x2,2 mm +O-ring	1					5
14	60.5408.51	Piston, M7 Sst.	1					5
15	60.5407.51	Piston holder, Sst.	1					5
16	14.7443.10	Ball, 11/32" Sst.	1					10
17	60.5406.31	Spring rest pin, brass	1					3
18	60.0975.61	Spring, 4,2x19,7x42 mm z.pl.	1					10
19	16.2100.00	Set screw, DIN914 M4x4 mm	1					10
20	60.1814.31	Ring nut, M27x1 brass	1					5
21	60.1727.31	Valve regulating insert, brass	1					5
22	60.1418.41	Knob x block. press al-red	1					3
23	60.0599.31	4 mm pierced pin	1					5
24	60.1419.24	Seal+wire kit, 80mm 5pcs	1					1

30.1280.00 RL37 spr.gun 3/8F Bsp-AR6 B M22+S7 z.pl.
 30.1280.80 RL37 spr.gun 3/8M Bsp-AR6 B M22+S7 z.pl.

30.1281.00 RL37+sw6 3/8F Bsp-AR6 B M22+S7 z.pl.



Pos.	P/N	Description	Q.ty	K1	K2	K3	K4	
1	30.1207.24	Casing-kit -RL37 +screws, Sst.	1					1
2	16.3077.00	S/tapping screw, DIN7981 3,5x18 mm	13					10
3	10.4018.00	Back-up ring, 3,2x7,5x1,2 mm	1	•	•			10
4	10.3165.00	O-ring, 2,62x2,84 mm Vi 70	1	•	•			10
5	14.3511.00	Washer, 3,2x7x0,5 mm sst.	1	•	•			10
6	30.0704.51	Piston, 3-4 mm Sst.	1	•	•			10
7	30.1708.20	Seat, 6mm Sst.+O-ring 1,78mm NBR85	1	•	•			10
8	14.7448.00	Ball, 5/16" Sst.	1	•	•			10
9	30.2596.51	Spring, 1,5x6,1x23 mm Sst.	1					10
10	10.3020.02	O-ring, 1,5x10 mm Ni 85	1	•	•			10
11	30.2595.31	Spring plug, M16x1 brass	1					10
12	30.1205.35	Housing -RL37, brass	1					5
13	30.0675.84	Stop pin, 8x7,1mm PA	1					10
14	30.4554.84	Gun outlet adapter, PA black	1					5
15	30.2517.31	Parallel pin, 5x27,5 mm brass	1					10
16	30.1204.84	Trigger -RL37, PA black	1					10
17	30.1510.84	Safety latch, PA red	1					10

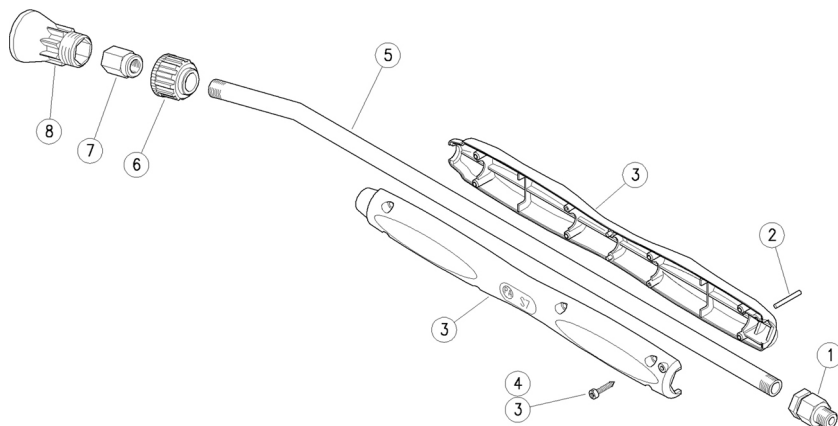
Pos.	P/N	Description	Q.ty	K1	K2	K3	K4	
18	30.1203.66	Tube, 1/4Bsp MM 140 mm z.pl.	1					5
19	30.1206.31	Coupl., 1/4F-3/8F Bsp brass	1					5
19	30.1212.31	Adapter, 1/4F-3/8M Bsp brass (1)	1					5
20	30.1221.66	Tube, 1/4Bsp MM 115 mm z.pl. (2)	1					5
21	30.1222.31	Adapt., M10x1F-1/4F Bsp brass (2)	1					5
22	30.2019.31	Coupl., 3/8F Bsp brass (2)	1					5
23	10.4010.01	Back-up ring,10,2x13,9x1,2mm (2)	2	•				50
24	30.2017.51	Pin, SW M10x1 M Sst. (2)	1					5
25	10.3109.95	O-ring, 2,4x9,3 mm Vi 70 (2)	1	•				25
26	30.1282.66	Tube, 1/4Bsp MM 392 mm z.pl.	1					1
27	15.1046.00	Parallel pin, 3x30 mm Sst.	1					10
28	40.4003.24	Casing-kit -S7 +screws	1					1
29	26.0252.51	Snap ring, 1,5x15,5 mm Sst.	1					10
30	30.1286.22	Hand nut -AR6, M22-17,5mm black	1					5
31	26.0261.31	Plug, 14mm-1/4F Bsp brass	1					10
32	10.3109.95	O-ring, 2,4x9,3 mm Vi 70	1					25
33	10.4010.01	Back-up ring,10,2x13,9x1,2mm	1					50

Kit	P/N	Description	
K1	30.1209.24	Repair kit -RL37, 8x1pcs.	1
K2	30.1224.24	Repair kit -RL37+sw6 10x1pcs.	1

(1) 30.1280.80 (2) 30.1281.00

40.4500.00 S7 lan.-rect.grp 500mm z.pl+nzl/hld+prot
40.4700.00 S7 lan.-rect.grp 700mm z.pl+nzl/hld+prot

40.4900.00 S7 lan.-rect.grp 900mm z.pl+nzl/hld+prot



Pos.	P/N	Description	Q.ty	K1	K2	K3	K4	
1	40.5002.61	Reduct, z.pl. 1/4MF Bsp	1					10
2	15.1046.00	Parallel pin, 3x30 mm Sst.	1					10
3	40.4003.24	Casing-kit -S7 +screws	1					1
4	16.3077.00	S/tapping screw, DIN7981 3,5x18 mm	6					10
5	40.5054.66	Tube, bent 1/4Bsp MM 500mm z.pl. (1)	1					5
5	40.5701.66	Tube, bent 1/4Bsp MM 700mm z.pl. (2)	1					5

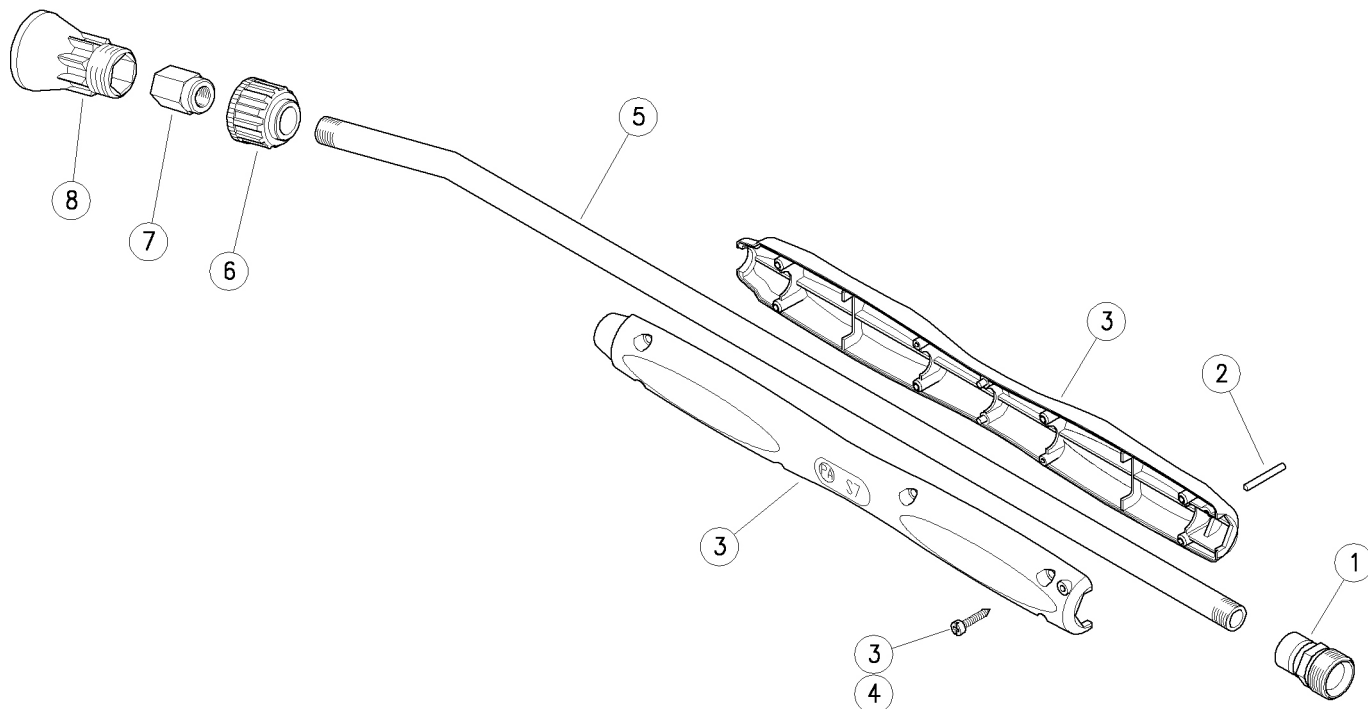
Pos.	P/N	Description	Q.ty	K1	K2	K3	K4	
5	40.5901.66	Tube, bent 1/4Bsp MM 900mm z.pl. (3)	1					1
6	40.0003.84	Ring nut, 24TpN3 PA black	1					10
7	40.0007.61	Nozzle holder, 1/4F Bsp-1/4F Npt z.pl.	1					10
7	40.0009.61	Nozzle holder, 1/4F Bsp-1/8F Npt z.pl. **	1					10
8	40.0004.85	Nozzle protection, TPEs black	1					10

** On request

(1) 40.4500.00 (2) 40.4700.00 (3) 40.4900.00

30.1295.00 Extn.S7 AR6 A M22-500,z.pl,bent

30.1297.00 S7 Com.exte.L.700 zin.pl.bent 1/4



Pos.	P/N	Description	Q.ty	K1	K2	K3	K4	
1	30.1287.31	Coupl.,M22x1,5M-1/4F Bsp int.hex.10 brs.	1					10
2	15.1046.00	Parallel pin, 3x30 mm Sst.	1					10
3	40.4003.24	Casing-kit -S7 +screws	1					1
4	16.3077.00	S/tapping screw, DIN7981 3,5x18 mm	6					10
5	40.5054.66	Tube, bent 1/4Bsp MM 500mm z.pl.	1					5

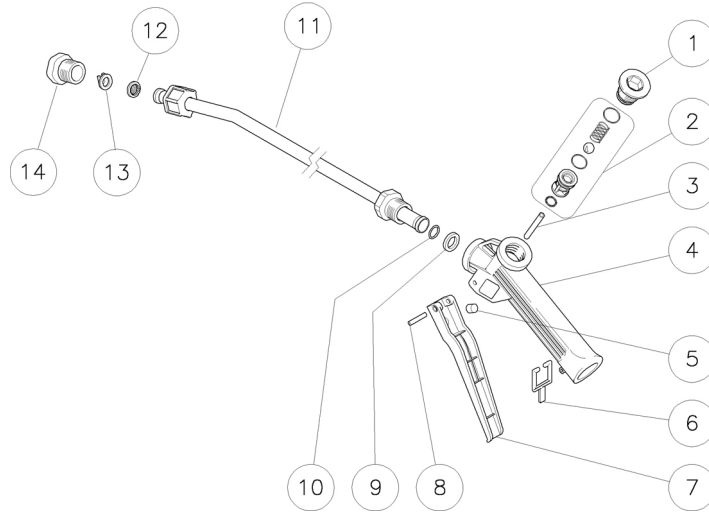
Pos.	P/N	Description	Q.ty	K1	K2	K3	K4	
5	40.5701.66	Tube, bent 1/4Bsp MM 700mm z.pl. (1)	1					5
6	40.0003.84	Ring nut, 24TpN3 PA black	1					10
7	40.0007.61	Nozzle holder, 1/4F Bsp-1/4F Npt z.pl.	1					10
7	40.0009.61	Nozzle holder, 1/4F Bsp-1/8F Npt z.pl. **	1					10
8	40.0004.85	Nozzle protection, TPEs black	1					10

** On request

(1) 30.1297.00

15.0216.01 Cpa600-02 lance, sst, 600mm
15.0216.02 Cpa600-03 lance, sst, 600mm

15.0216.07 Cpa600-01 lance, sst, 600mm

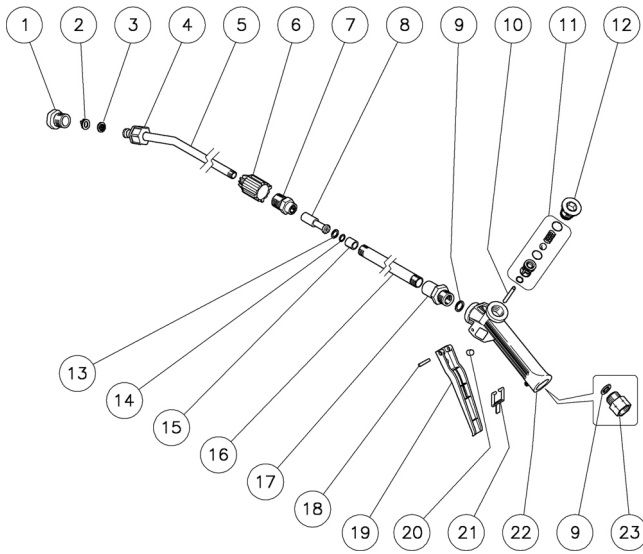


Pos.	P/N	Description	Q.ty	K1	K2	K3	K4	
1	13.0003.24	Plug -Universal, PP black	1					5
2	99.0003.13	Spares kit, Universal gun, grey trigger	1					1
3	12.0050.08	Parallel pin, 5x36 mm Sst.	1					5
4	13.0003.11	Casing -Universal gun, PP	1					10
5	13.0003.28	Stop pin, 8x7 mm	1					5
6	13.0003.29	Black safety latch, Universal gun	1					10
7	13.0003.36	Gray trigger -Universal gun	1					3
8	12.0050.21	Parallel pin, 4x28 mm	1					5

Pos.	P/N	Description	Q.ty	K1	K2	K3	K4	
9	13.0003.51	Front seal, 11,5x14,7x2 mm PP	1					10
10	10.3059.10	O-ring, 1,78x11,11 mm Vi 70	1					10
11	99.0206.01	Tube -CPA600, 588 mm+couplings	1					3
12	2.0151.01	Strainer, Sst.	1					10
13	2.0150.01	Nozzle, 110°-02 d. 0,9 mm yellow (1)	1					10
13	2.0150.07	Nozzle 110°- 01 orange (2)	1					10
13	2.0150.02	Nozzle, 03-110° 1,1 mm blue (3)	1					10
14	13.0003.65	Red nozzle holder -1/2M Bsp CP600	1					10

(1) 15.0216.01 (2) 15.0216.07 (3) 15.0216.02

15.0030.02 Cpat2000 teles.lance, sst, nzl 1.1 - 1 e



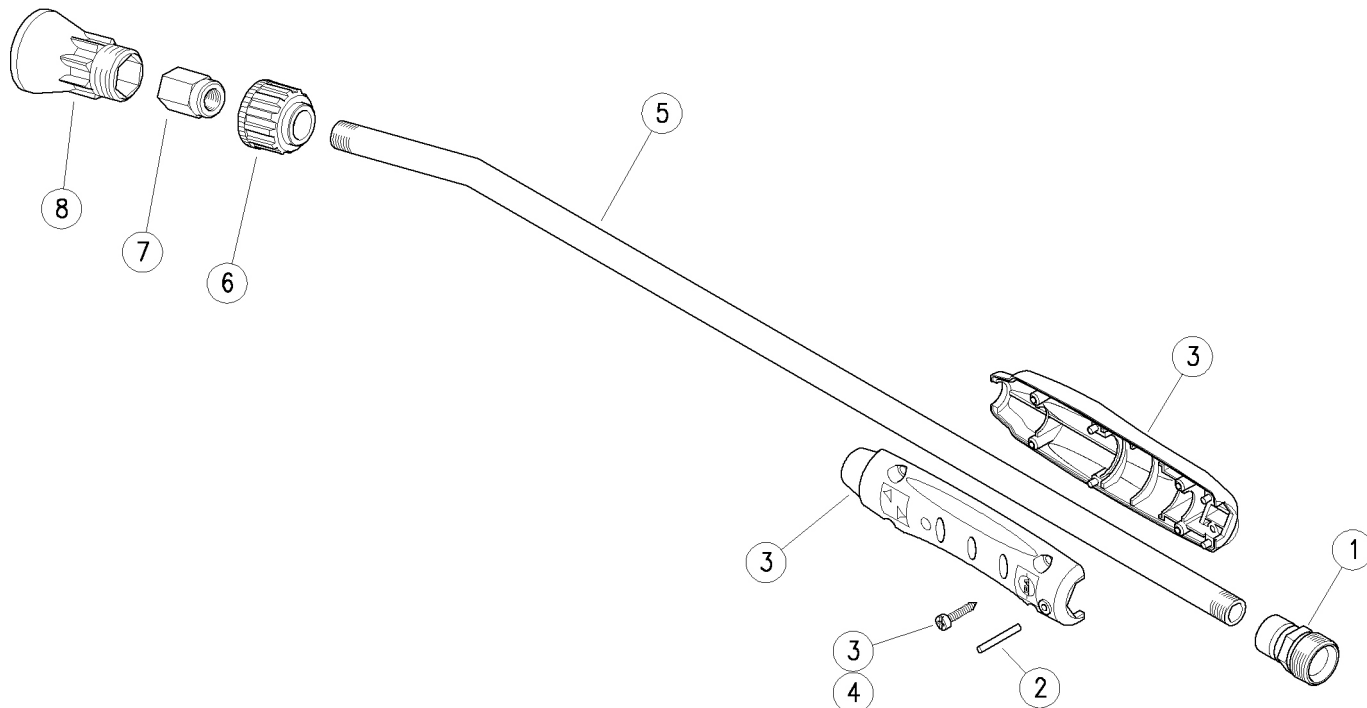
Pos.	P/N	Description	Q.ty	K1	K2	K3	K4	
1	13.0003.65	Red nozzle holder -1/2M Bsp CP600	1					10
2	2.0150.02	Nozzle, 03-110° 1,1 mm blue (1)	1					10
2	2.0150.03	Nozzle-04 110° D.1,3mm red	1					10
3	2.0151.01	Strainer, Sst.	1					10
4	13.0003.62	Nozzle ring nut -CPAT3000, PA black	1					5
5	12.0080.20	Tube -CPAT2000, 12x1 mm Sst.	1					5
6	13.0003.69	Knob -CPAT3000, 12-15 mm PA black	1					5
7	12.0010.15	Coupl. -CPAT2000, M24x1,5M-M18x1F	1					5
8	12.0010.14	Piston -CPAT2000, Sst.	1					5
9	13.0003.50	Front seal, 14x18,4x2 mm PP	2					5
10	12.0050.08	Parallel pin, 5x36 mm Sst.	1					5
11	99.0003.13	Spares kit, Universal gun, grey trigger	1					1
12	13.0003.24	Plug -Universal, PP black	1					5
13	12.0020.32	Bk-up ring,o.-CPAT3000 12x16	1					10
14	10.3175.10	O-ring, 2,62x10,77 mm Vi 70	1					10
15	12.0020.31	Bushing - 12x16x14 mm PTFE	1					10
16	12.0080.19	Tube -CPAT3000, M18x1 MM Sst.	1					5
17	12.0010.13	Coupl. -CPAT3000, 1/2M Bsp-M18x1F Sst.	1					5
18	12.0050.21	Parallel pin, 4x28 mm	1					5
19	13.0003.36	Gray trigger -Universal gun	1					3
20	13.0003.28	Stop pin, 8x7 mm	1					5
21	13.0003.29	Black safety latch, Universal gun	1					10
22	13.0003.11	Casing -Universal gun, PP	1					10
23	12.0010.16	Coupl. - 1/2M Bsp-1/2F Npt Sst. **	1					5

** On request

(1) 15.0030.02

30.1255.00 Extn.S7k AR6 A M22,500mm,z.pl,bent

30.1258.00 Com.exte.700mm S7k zin.pl.bent 1/4



Pos.	P/N	Description	Q.ty	K1	K2	K3	K4	
1	30.1287.31	Coupl.,M22x1,5M-1/4F Bsp int.hex.10 brs.	1					10
2	15.1046.00	Parallel pin, 3x30 mm Sst.	1					10
3	30.1253.24	Casing-kit -S7 + sst.screws	1					1
4	16.3077.00	S/tapping screw, DIN7981 3,5x18 mm	4					10
5	40.5054.66	Tube, bent 1/4Bsp MM 500mm z.pl.	1					5

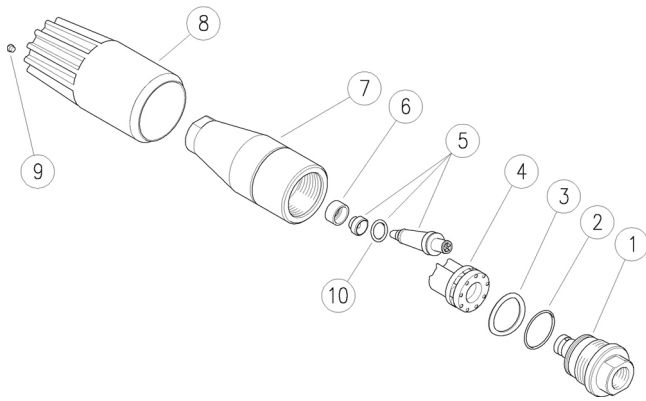
Pos.	P/N	Description	Q.ty	K1	K2	K3	K4	
5	40.5701.66	Tube, bent 1/4Bsp MM 700mm z.pl. (1)	1					5
6	40.0003.84	Ring nut, 24TpN3 PA black	1					10
7	40.0007.61	Nozzle holder, 1/4F Bsp-1/4F Npt z.pl.	1					10
7	40.0009.61	Nozzle holder, 1/4F Bsp-1/8F Npt z.pl. **	1					10
8	40.0004.85	Nozzle protection, TPEs black	1					10

** On request

(1) 30.1258.00

- 25.1680.20 UR16-02 Rotat.nzl,160bar, light green
- 25.1680.25 UR16-025 Rotat.nzl,160bar, pink
- 25.1680.30 UR16-03 Rotat.nzl,160bar, white
- 25.1680.35 UR16-035 Rotat.nzl,160bar, brown
- 25.1680.40 UR16-04 Rotat.nzl,160bar, d. yellow
- 25.1680.45 UR16-045 Rotat.nzl,160bar, blue

- 25.1680.50 UR16-05 Rotat.nzl,160bar, l.purp.
- 25.1680.55 UR16-055 Rotat.nzl,160bar, d. red
- 25.1680.60 UR16-06 Rotat.nzl,160bar, d.green
- 25.1680.65 UR16-065 Rotat.nzl,160bar, l.blue
- 25.1680.70 UR16-07 Rotat.nzl,160bar, orange
- 25.1680.80 UR16-08 Rotat.nzl,160bar, silver

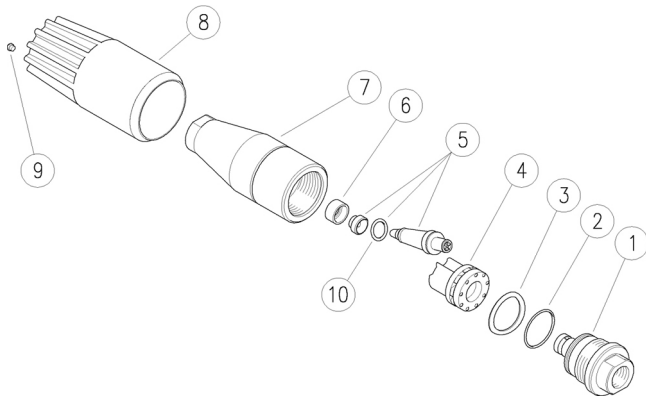


Pos.	P/N	Description	Q.ty	K1	K2	K3	K4	
1	25.1679.31	Coupling, 1/4F Bsp - 1,0 mm (1)	1					3
1	25.1676.31	Coupling, 1/4F Bsp - 1,0mm (2)	1					3
1	25.1677.31	Coupling, 1/4F Bsp - 1,1 mm (3)	1					3
1	25.1662.31	Coupling, 1/4 F Bsp (4)	1					3
1	25.1663.31	Coupling, 1/4 F Bsp (5)	1					3
1	25.1634.31	Coupling, 1/4 F Bsp (6)	1					3
1	25.1634.31	Coupling, 1/4 F Bsp (7)	1					3
1	25.1635.31	Coupling, 1/4 F Bsp (8)	1					3
1	25.1635.31	Coupling, 1/4 F Bsp (9)	1					3
1	25.1645.31	Coupling, 1/4 F Bsp (10)	1					3
1	25.1636.31	Coupling, 1/4 F Bsp (11)	1					3
1	25.1646.31	Coupling, 1/4 F Bsp (12)	1					3
2	10.3072.01	O-ring, 1,78x20,35 mm Ni 85	1					10
3	25.1626.63	Washer, 14,8x23x0,1mm Sst.	1					5
4	25.1631.22	Turbine	1					3
5	25.1683.24	Spares kit -UR16.02 (1)	1					1
5	25.1659.24	Spares kit -UR16.025/UR25-32.03 (2)	1					1
5	25.1660.24	Spares kit -UR16.03/UR25-32.035 (3)	1					1
5	25.1633.24	Spares kit -UR16.035/UR25.04/UR32.04 (4)	1					1
5	25.1637.24	Spares kit -UR16.04-045/UR25-32.045 (5)	1					1
5	25.1637.24	Spares kit -UR16.04-045/UR25-32.045 (6)	1					1
5	25.1638.24	Spares kit -UR16-25-32.05 (7)	1					1
5	25.1668.24	Spares kit -UR16-25-32.055 (8)	1					1
5	25.1639.24	Spares kit -UR16-25-32.06 (9)	1					1
5	25.1640.24	Spares kit -UR16-25-32.065 (10)	1					1
5	25.1641.24	Spares kit -UR16-25-32.07 (11)	1					1
5	25.1669.24	Spares kit -UR16-25-32.08 (12)	1					1
6	25.1624.85	Seal, 7,2x12x6 mm PTFE	1					10
7	25.1622.31	Housing -UR25	1					3
8	25.1681.85	Knob -UR16, yellow	1					3
9	15.2000.40	Stud, 04 dark yellow (5)	1					10
10	10.3230.00	O-Ring, 3,53x7,52 mm Ni 70	2					10

(1) 25.1680.20 (2) 25.1680.25 (3) 25.1680.30 (4) 25.1680.35 (5) 25.1680.40
 (6) 25.1680.45 (7) 25.1680.50 (8) 25.1680.55 (9) 25.1680.60 (10) 25.1680.65
 (11) 25.1680.70 (12) 25.1680.80

- 25.1690.30 UR32-03 Rotat.nzl,350bar, white
- 25.1690.35 UR32-035 Rotat.nzl,350bar, brown
- 25.1690.40 UR32-04 Rotat.nzl,350bar, d. yellow
- 25.1690.45 UR32-045 Rotat.nzl,350bar, blue
- 25.1690.50 UR32-05 Rotat.nzl,350bar, purple

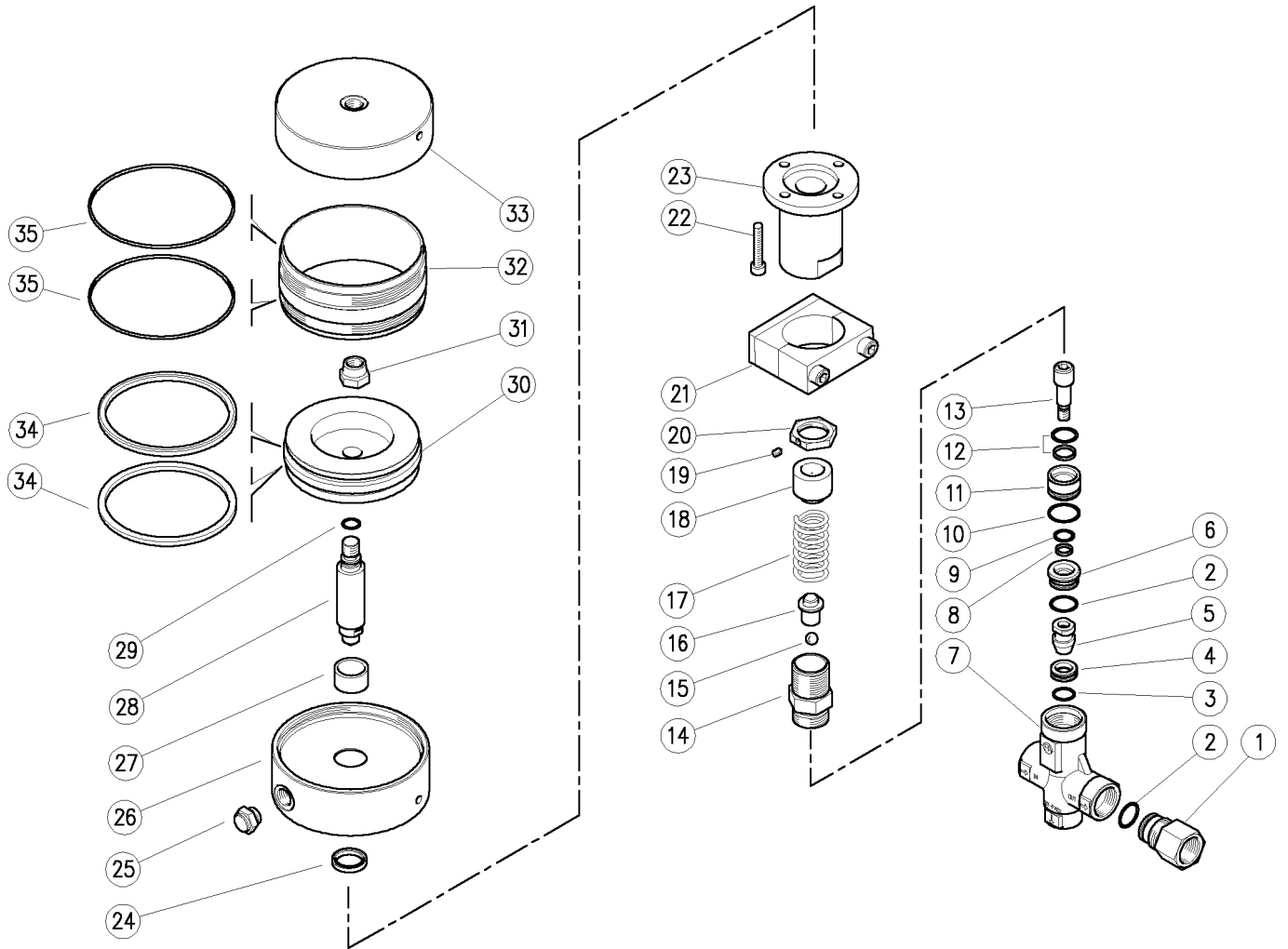
- 25.1690.55 UR32-055 Rotat.nzl,350bar, d. red
- 25.1690.60 UR32-06 Rotat.nzl,350bar, green
- 25.1690.65 UR32-065 Rotat.nzl,350bar, l.blue
- 25.1690.70 UR32-07 Rotat.nzl,350bar, orange
- 25.1690.80 UR32-08 Rotat.nzl,350bar, silver



Pos.	P/N	Description	Q.ty	K1	K2	K3	K4	
1	25.1634.31	Coupling, 1/4 F Bsp (1)	1					3
1	25.1645.31	Coupling, 1/4 F Bsp (2)	1					3
1	25.1636.31	Coupling, 1/4 F Bsp (3)	1					3
1	25.1646.31	Coupling, 1/4 F Bsp (4)	1					3
1	25.1647.31	Coupling, 1/4 F Bsp (5)	1					3
1	25.1661.31	Coupling, 1/4 F Bsp (6)	1					3
1	25.1695.31	Coupling, 1/4 F Bsp (7)	1					3
1	25.1692.31	Coupling, 1/4 F Bsp (8)	1					3
1	25.1693.31	Coupling, 1/4 F Bsp (9)	1					3
1	25.1694.31	Coupling, 1/4 F Bsp (10)	1					3
2	10.3072.01	O-ring, 1,78x20,35 mm Ni 85	1					10
3	25.1626.63	Washer, 14,8x23x0,1mm Sst.	1					5
4	25.1631.22	Turbine	1					3
5	25.1659.24	Spares kit -UR16.025/UR25-32.03 (1)	1					1
5	25.1660.24	Spares kit -UR16.03/UR25-32.035 (2)	1					1
5	25.1633.24	Spares kit -UR16.035/UR25.04/UR32.04 (3)	1					1
5	25.1637.24	Spares kit -UR16.04-045/UR25-32.045 (4)	1					1
5	25.1638.24	Spares kit -UR16-25-32.05 (5)	1					1
5	25.1668.24	Spares kit -UR16-25-32.055 (6)	1					1
5	25.1639.24	Spares kit -UR16-25-32.06 (7)	1					1
5	25.1640.24	Spares kit -UR16-25-32.065 (8)	1					1
5	25.1641.24	Spares kit -UR16-25-32.07 (9)	1					1
5	25.1669.24	Spares kit -UR16-25-32.08 (10)	1					1
6	25.1624.85	Seal, 7,2x12x6 mm PTFE	1					10
7	25.1622.31	Housing -UR25	1					3
8	25.1691.85	Knob -UR32, red	1					3
9	15.2000.40	Stud, 04 dark yellow (3)	1					10
10	10.3230.00	O-Ring, 3,53x7,52 mm Ni 70	2					10

- (1) 25.1690.30 (2) 25.1690.35 (3) 25.1690.40 (4) 25.1690.45 (5) 25.1690.50
 (6) 25.1690.55 (7) 25.1690.60 (8) 25.1690.65 (9) 25.1690.70 (10) 25.1690.80

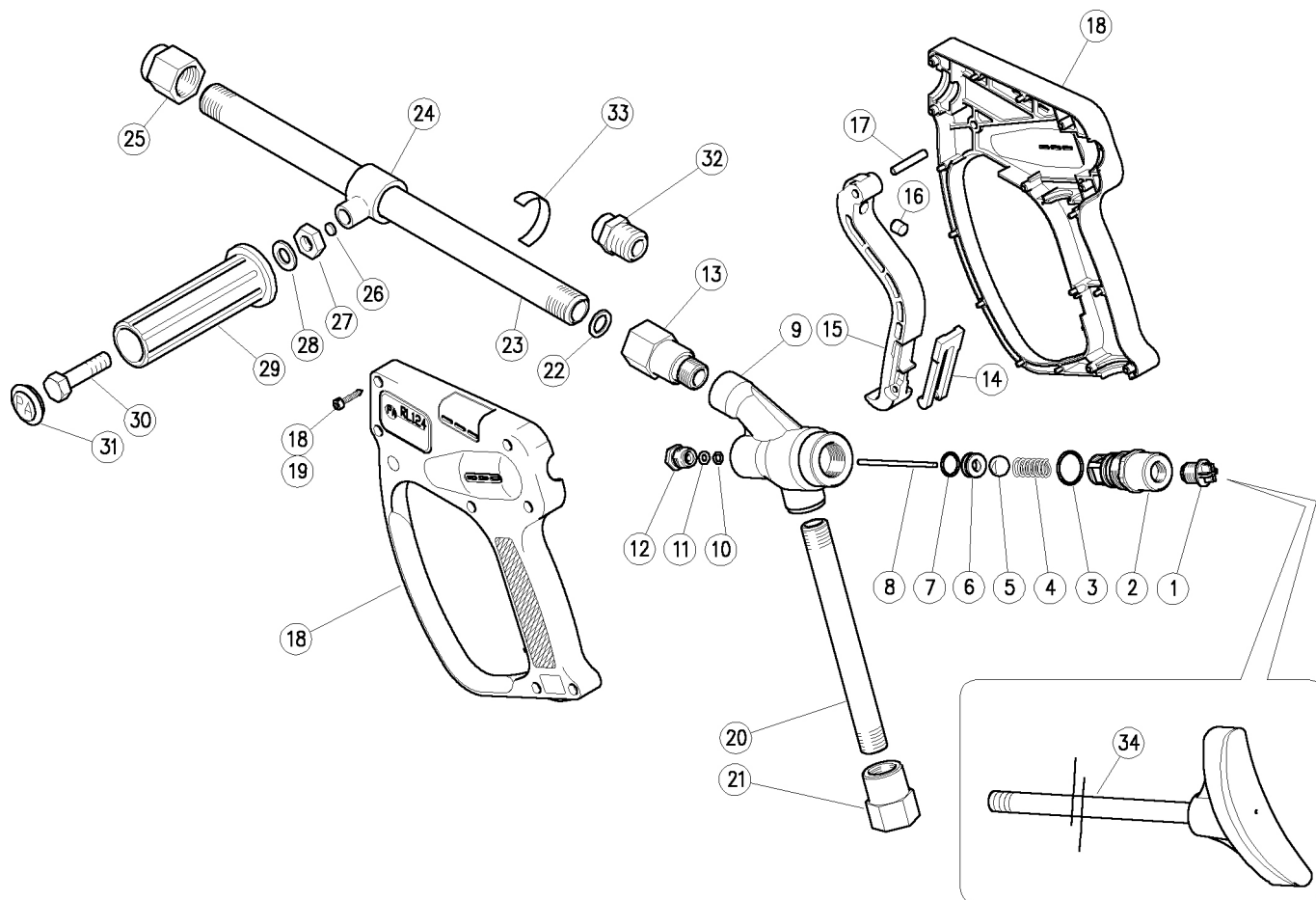
60.5350.00 VRPP 26 air-contr.valv. Ai316 1/2F Bsp



Pos.	P/N	Description	Q.ty	K1	K2	K3	K4		Pos.	P/N	Description	Q.ty	K1	K2	K3	K4	
1	60.1404.60	Shutter coupl., 1/2F Bsp aisi316 Sst.	1					3	19	16.2100.00	Set screw, DIN914 M4x4 mm	1					10
2	10.3068.10	O-ring, 1,78x17,17 mm Vi 70	2					10	20	60.1814.31	Ring nut, M27x1 brass	1					5
3	10.3066.10	O-ring, 1,78x15,6 mm Vi 70	1					10	21	11.0445.52	Collar, d.45x30 mm	1					1
4	60.1809.60	Seat, 11,6x19x6 mm aisi316 Sst.	1					5	22	16.1897.22	Screw, DIN912 M6x22 mm z.pl.	4					5
5	60.1808.60	Shutter pin, M8 aisi316 Sst.	1					3	23	60.5452.31	Piston holder, brass	1					1
6	60.1410.60	Spacer ring, 10x23,4x10,5mm aisi316 Sst.	1					3	24	10.2020.25	Stem seal, 20x25x4 mm	1					5
7	60.1401.60	Housing -VB-VRPP26, 1/2Bsp FF aisi316	1					3	25	11.8901.14	Pneum. filter, G1/4	1					3
8	10.4022.00	Back-up ring, 10x12x2 mm	1					5	26	60.5322.41	Valve head, Al	1					3
9	10.3059.10	O-ring, 1,78x11,11 mm Vi 70	1					10	27	60.5323.85	Bushing, opn. 20x24x14,8 mm PTFE	1					3
10	10.3072.10	O-ring, 1,78x20,35 mm Vi 70	1					10	28	60.5321.61	Piston, 20-M12x94 mm	1					3
11	60.1409.60	Spacer ring, 10,3x23,5x17,5mm aisi316	1					3	29	10.3058.01	O-ring, 1,78x10,82 mm	1					10
12	10.2029.00	Stem seal, 14x19x2,2 mm +O-ring	1					4	30	60.5326.41	Piston, Al	1					3
13	60.1411.60	Piston, M8 aisi316 Sst.	1					3	31	11.4740.00	Hex. nut, M12	1					10
14	60.1406.51	Piston holder, Sst.	1					5	32	60.5324.46	Jacket, Al	1					3
15	14.7443.10	Ball, 11/32" Sst.	1					10	33	60.5325.41	Valve bottom, Al	1					3
16	60.1405.31	Spring rest pin, brass	1					10	34	10.2100.00	Piston seal, 90x100x4,5 mm	2					5
17	60.0975.61	Spring, 4,2x19,7x42 mm z.pl.	1					10	35	10.3106.00	O-ring, 2x103 mm	2					5
18	60.5351.31	Spring guide spacer, brass	1					1									

30.4000.40 Extn.RL100-124 400mm z.pl+knob 1/4F Npt
 30.4000.80 Extn.RL100-124 800mm z.pl+knob 1/4F Npt

30.5300.00 RL124 spr.gun 1/2 FF Bsp



Pos.	P/N	Description	Q.ty	K1	K2	K3	K4	
1	30.5815.84	Plug, 1/4M Bsp DIN259 Plast. black	1					10
2	30.5309.31	Spring holder, brass	1					5
3	10.3072.01	O-ring, 1,78x20,35 mm Ni 85	1	•				10
4	30.5304.51	Spring, 2x29x9,9 mm Sst.	1					5
5	14.7465.00	Ball, 1/2" Sst.	1	•				5
6	30.5308.51	Seat, Sst.	1	•				3
7	10.3068.01	O-ring, 1,78x17,17 mm Ni 85	1	•				10
8	30.5307.51	Piston, 3x63 mm Sst.	1	•				3
9	30.5305.35	Housing -RL124, brass	1					1
10	10.3165.00	O-ring, 2,62x2,84 mm Vi 70	1	•				10
11	10.4018.00	Back-up ring, 3,2x7,5x1,2 mm	1	•				10
12	30.4115.31	Front Plug, M10x1 brass	1					10
13	30.5306.51	Coupling, 1/2 Bsp Sst.	1					3
14	30.1510.84	Safety latch, PA red	1					10
15	30.5303.84	Trigger, black	1					5
16	30.0675.51	Stop pin, 8x7,1mm Sst.	1					10
17	30.2517.31	Parallel pin, 5x27,5 mm brass	1					10
18	30.5312.24	Casing kit -RL 124 + screws	1					1

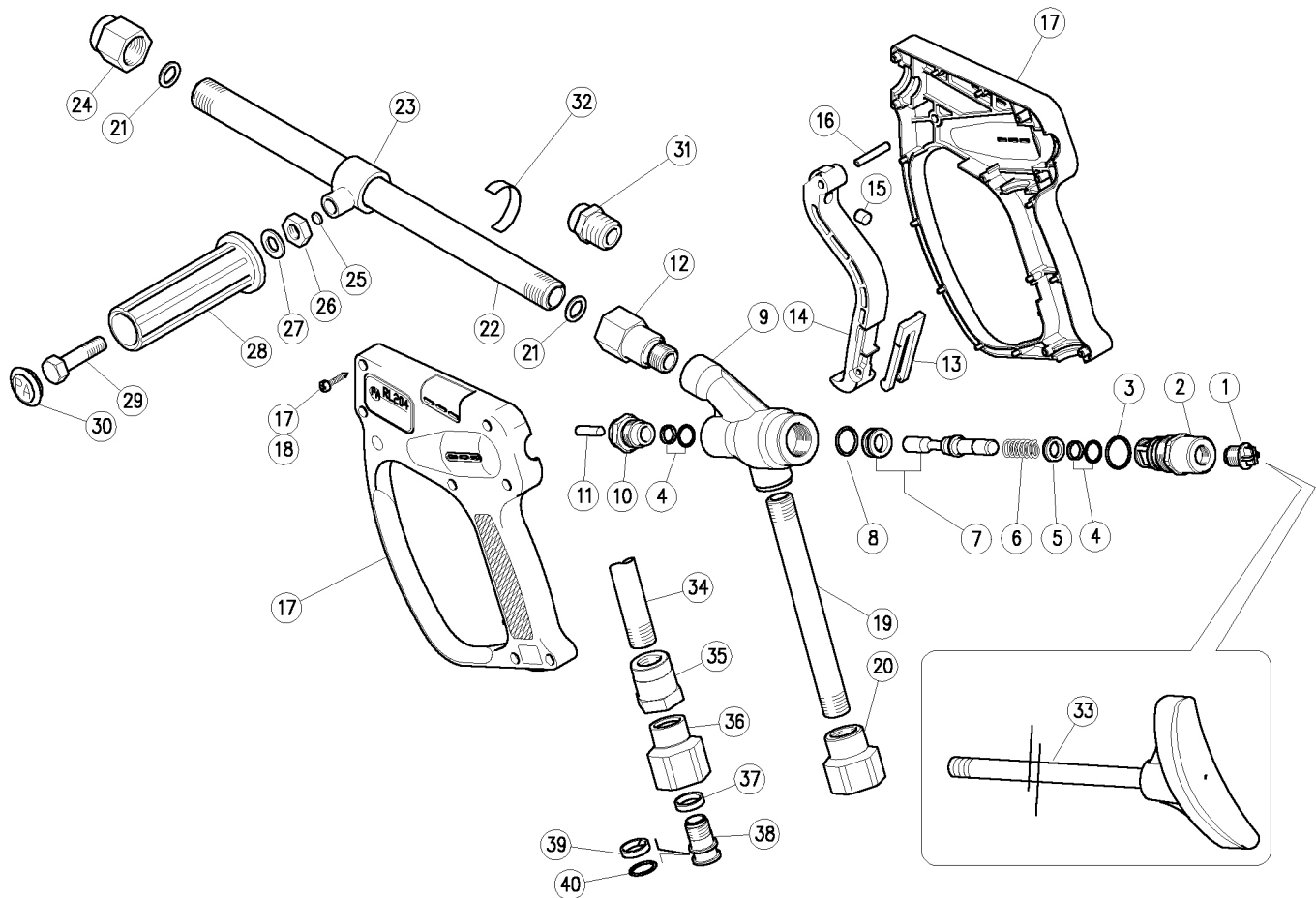
Pos.	P/N	Description	Q.ty	K1	K2	K3	K4	
19	16.3075.51	S/tapping screw, DIN7981 3,5x18 mm Sst.	7					10
20	30.5104.56	Tube, M18x1,5 138,5 mm Sst.	1					5
21	30.5107.51	Coupl., M18x1,5F-1/2F Bsp Sst.	1					3
22	14.3802.00	Washer, 12x18x1,5 mm Cu **	2					10
23	30.4020.61	Tube, 1/2Bsp MM 400mm z.pl. (1) **	1					3
23	30.4022.61	Tube, 1/2Bsp MM 800mm z.pl. (2) **	1					3
24	30.5017.35	Tube fastener, 1/2" Bsp	1	•				5
25	30.4021.61	Nozzle holder, 1/2F Bsp-1/4F Npt z.pl.	1					3
26	13.5305.00	Plate, 8x1,5 mm Cu	2	•				10
27	11.4627.00	Hex. nut, M10	1	•	•			10
28	14.3799.00	Washer, 10x21x2 mm	1	•	•			10
29	41.0409.84	Knob, 32x115 mm PP black	1	•	•			5
30	16.2035.00	Screw, DIN933 M10x35 mm z.pl.	1	•	•			10
31	41.0411.84	Plug, Knob PP black	1	•	•			5
32	30.5018.61	Nzl.holder, RL100-RL124 1/2M Bsp **	1					1
33	15.3810.00	Label "13,5MPa Tubo znc- PA"	1					1
34	30.5060.00	Shoulder rest -RL600 1/4M Bsp 300mm **	1					1

** On request

Kit	P/N	Description	
K1	30.5314.24	Spares kit -RL124, 7x1pcs.	1
K2	30.5038.24	Spares kit -Lance knob	1
K3	30.4019.24	Knob-kit, M10x35	5

(1) 30.4000.40 (2) 30.4000.80

30.5200.00 RL 204 spr.gun 3/4F-1/2F Bsp



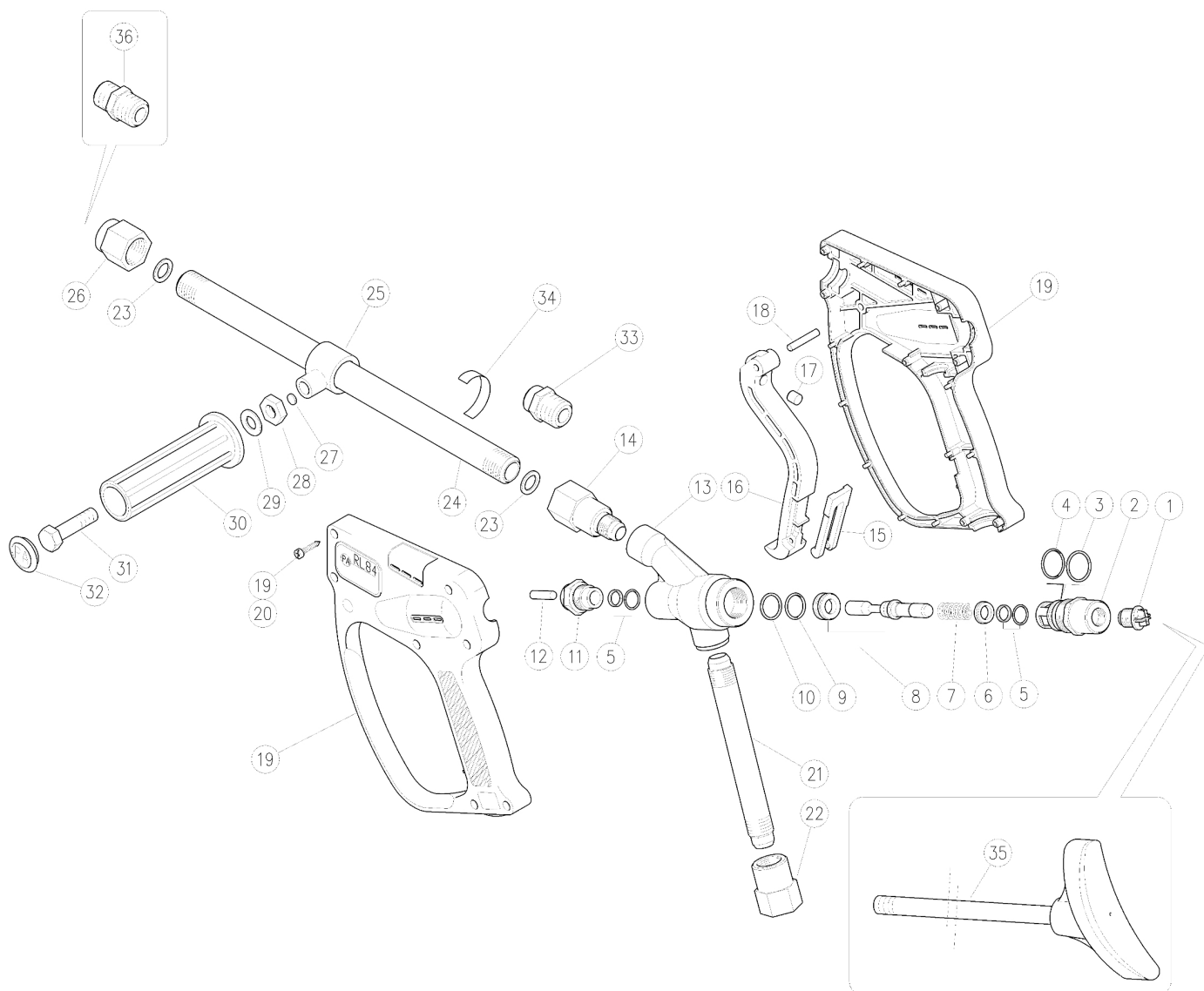
Pos.	P/N	Description	Q.ty	K1	K2	K3	K4		Pos.	P/N	Description	Q.ty	K1	K2	K3	K4	
1	30.5815.84	Plug, 1/4M Bsp DIN259 Plast. black	1					10	19	30.5104.56	Tube, M18x1,5 138,5 mm Sst.	1					5
2	30.4037.31	Spring holder, 1/4F Bsp-M26x1M brs.	1					5	20	30.5204.51	Coupling, 3/4" Bsp Sst.	1					3
3	10.3072.01	O-ring, 1,78x20,35 mm Ni 85	1	•				10	21	14.3802.00	Washer, 12x18x1,5 mm Cu **	2					10
4	10.2027.00	Stem seal, 10x15x2,2 mm +O-ring	2	•				4	22	30.5016.56	Tube, 1/2Bsp MM 390 mm Sst. **	1					1
5	30.4040.31	Spacer ring, 10,1x15,8x3,8 mm brass	1					3	22	30.5026.56	Tube, 1/2Bsp MM 790 mm Sst. **	1					1
6	30.4042.51	Spring, 2,4x15,3x30 mm Sst.	1	•				10	22	30.5037.56	Tube, 1/2Bsp MM 1250mm Sst. **	1					1
7	30.4045.24	Piston+Seat Kit, -RL204	1	•				1	23	30.5017.35	Tube fastener, 1/2" Bsp	1	•				5
8	10.3068.01	O-ring, 1,78x17,17 mm Ni 85	1	•				10	24	30.5015.51	Nozzle Holder, 1/2F Bsp-1/4F Npt Sst.	1					3
9	30.5205.35	Housing -RL204, brass	1					1	25	13.5305.00	Plate, 8x1,5 mm Cu	2	•				10
10	30.4038.31	Front plug, M18x1,5 brass	1					10	26	11.4627.00	Hex. nut, M10	1	•	•			10
11	30.4041.31	Parallel pin, 6x25,8 mm brass	1					3	27	14.3799.00	Washer, 10x21x2 mm	1	•	•			10
12	30.5306.51	Coupling, 1/2 Bsp Sst.	1					3	28	41.0409.84	Knob, 32x115 mm PP black	1	•	•			5
13	30.1510.84	Safety latch, PA red	1					10	29	16.2035.00	Screw, DIN933 M10x35 mm z.pl.	1	•	•			10
14	30.5303.84	Trigger, black	1					5	30	41.0411.84	Plug, Knob PP black	1	•	•			5
15	30.0674.51	Stop pin, 8x6,9mm Sst.	1					10	31	30.5018.51	Nzl holder, sst, RL84-RL204 1/2M Bsp **	1					1
16	30.2517.31	Parallel pin, 5x27,5 mm brass	1					10	32	15.3815.00	Label "56MPa Tubo inox - PA"	1					1
17	30.5212.24	Casing-kit -RL 204 +screws	1					1	33	30.5060.00	Shoulder rest -RL600 1/4M Bsp 300mm **	1					1
18	16.3075.51	S/tapping screw, DIN7981 3,5x18 mm Sst.	7					10									

** On request

Kit	P/N	Description	Q.ty
K1	30.4046.24	Spares kit -RL204, 6x1pcs.	1
K2	30.5038.24	Spares kit -Lance knob	1
K3	30.4019.24	Knob-kit, M10x35	5

30.5000.40 Lan.sst. RL84-RL204 1/2M Bsp 400mm
 30.5000.80 Lan.sst. RL84-RL204 1/2M Bsp 800mm

30.5000.92 Lan.sst. RL84-RL204 1/2M Bsp 1250mm
 30.5400.00 RL 84 spr.gun 1/2FF Bsp



Pos.	P/N	Description	Q.ty	K1	K2	K3	K4	
1	30.5815.84	Plug, 1/4M Bsp DIN259 Plast. black	1					10
2	30.5408.31	Spring holder	1					5
3	10.4041.00	Back-up ring, 19,3x22x1,2 mm PTFE	1	•				10
4	10.3070.02	O-ring, 1,78x18,77 mm Ni 85	1	•				10
5	10.2027.00	Stem seal, 10x15x2,2 mm +O-ring	2	•				4
6	30.4040.31	Spacer ring, 10,1x15,8x3,8 mm brass	1					3
7	30.4042.51	Spring, 2,4x15,3x30 mm Sst.	1	•				10
8	30.5411.24	Piston + seat -RL84	1	•				1
9	10.3066.01	O-ring, 1,78x15,6 mm Ni 85	1	•				10
10	10.4042.00	Back-up ring, 16,3x19x1,2 mm	1	•				10
11	30.4038.31	Front plug, M18x1,5 brass	1					10
12	30.4041.31	Parallel pin, 6x25,8 mm brass	1					3
13	30.5405.35	Housing -RL84, brass	1					1
14	30.5403.51	Coupling, 1/2" Bsp sst.	1					3
15	30.1510.84	Safety latch, PA red	1					10
16	30.5303.84	Trigger, black	1					5
17	30.0674.51	Stop pin, 8x6,9mm Sst.	1					10
18	30.2517.31	Parallel pin, 5x27,5 mm brass	1					10
19	30.5412.24	Casing kit -RL 84 + screws	1					1

** On request

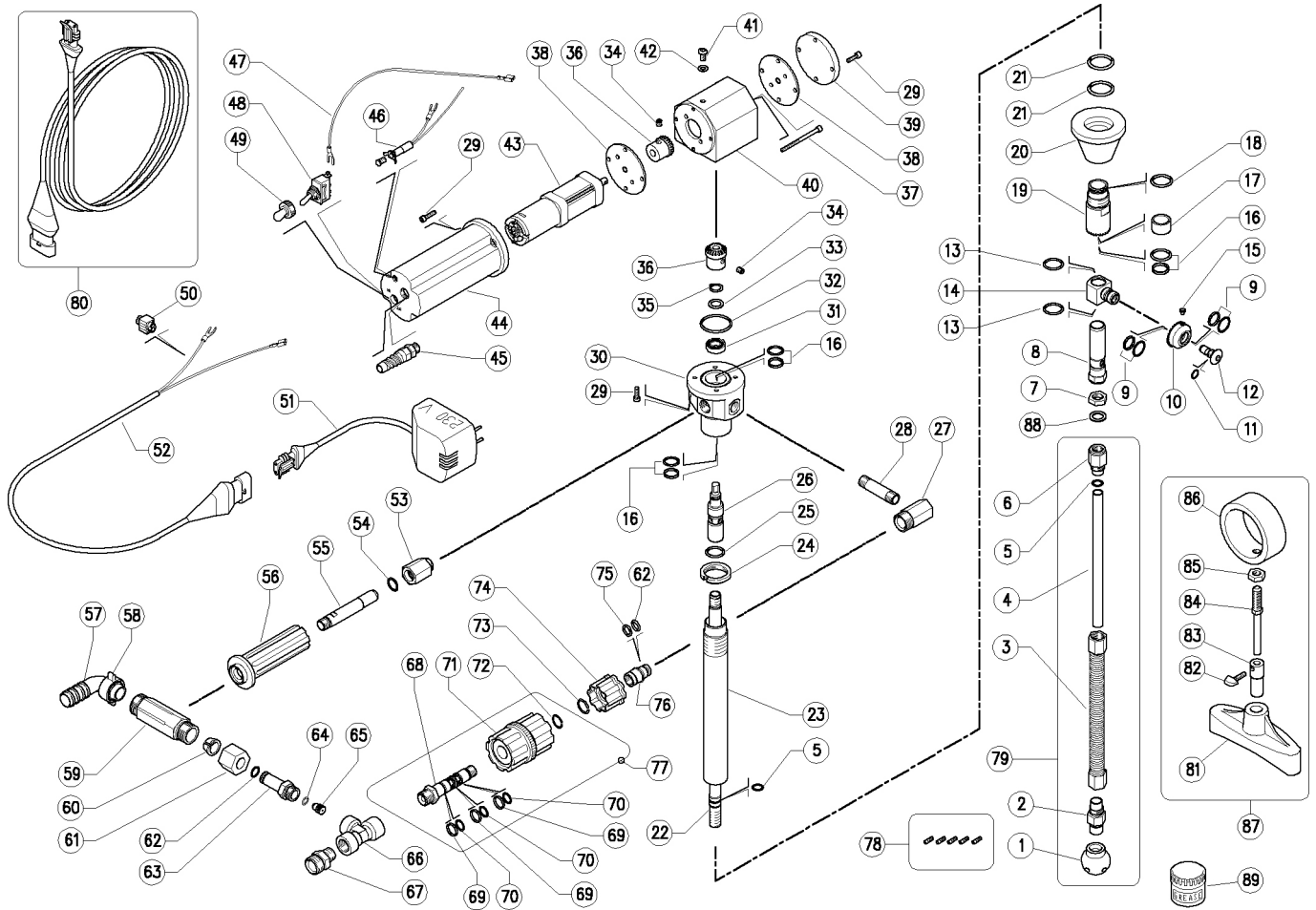
Pos.	P/N	Description	Q.ty	K1	K2	K3	K4	
20	16.3075.51	S/tapping screw, DIN7981 3,5x18 mm Sst.	7					10
21	30.5407.56	Back tube, M16Mx1,5M 141,5 mm Sst.	1					5
22	30.5406.51	Coupling, 1/2" Bsp Sst.	1					3
23	14.3802.00	Washer, 12x18x1,5 mm Cu	2					10
24	30.5016.56	Tube, 1/2Bsp MM 390 mm Sst. (1) **	1					1
24	30.5026.56	Tube, 1/2Bsp MM 790 mm Sst. (2) **	1					1
24	30.5037.56	Tube, 1/2Bsp MM 1250mm Sst. (3) **	1					1
25	30.5017.35	Tube fastener, 1/2" Bsp	1	•				5
26	30.5015.51	Nozzle Holder, 1/2F Bsp-1/4F Npt Sst.	1					3
27	13.5305.00	Plate, 8x1,5 mm Cu	2	•				10
28	11.4627.00	Hex. nut, M10	1	•	•			10
29	14.3799.00	Washer, 10x21x2 mm	1	•	•			10
30	41.0409.84	Knob, 32x115 mm PP black	1	•	•			5
31	16.2035.00	Screw, DIN933 M10x35 mm z.pl.	1	•	•			10
32	41.0411.84	Plug, Knob PP black	1	•	•			5
33	30.5018.51	Nzl. holder, sst, RL84-RL204 1/2M Bsp **	1					1
34	15.3815.00	Label "56MPa Tubo inox - PA"	1					1
35	30.5060.00	Shoulder rest -RL600 1/4M Bsp 300mm **	1					1
36	13.5009.51	Sst Nipple, 1/4MM Bsp-Npt **	1					5

Kit	P/N	Description	
K1	30.5414.24	Spares kit -RL84, 8x1pcs.	1
K2	30.5038.24	Spares kit -Lance knob	1
K3	30.4019.24	Knob-kit, M10x35	5

(1) 30.5000.40 (2) 30.5000.80 (3) 30.5000.92

25.4380.00 M28E Barrel cl.,el.driv+suct.,flex.220V
25.4380.60 M28E Barrel cl.,el.driv+suct.,flex.USA

25.4385.00 Holder for M28E-Barrel cleaner



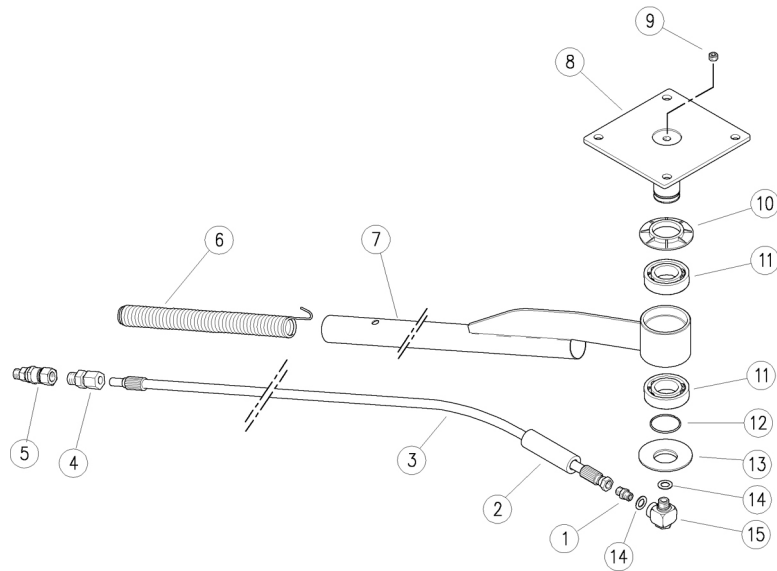
Pos.	P/N	Description	Q.ty	K1	K2	K3	K4	Pos.	P/N	Description	Q.ty	K1	K2	K3	K4
1	80.0330.81	Pierced buffer, POM white	1				5	48	12.5016.10	On/off unipol. switch	1				3
2	80.0367.51	Coupl., M16x1 M Sst.	1				1	49	12.5016.05	Switch protector	1				5
3	80.0371.21	Spring, Sst.	1				1	50	12.5019.47	Wire tap-in	1				5
4	80.0370.86	Hose, 10x12, 339mm PA white	1				1	51	12.5071.00	Transf. 230VAC/12VDC EU (1)	1				1
5	10.3007.10	O-ring, 1x12 mm Vi 70	2	•			10	51	12.5071.60	Transf. 115VAC-60Hz/12VDC USA (2)	1				1
6	80.0366.51	Suction coupl., 1/4F Bsp-M16x1 M Sst.	1				1	52	12.5019.10	Cable, 2x1,5 mm 10m+F connection	1				5
7	80.0328.51	Ring nut, 1/4F Bsp Sst.	1				5	53	80.0338.31	Coupl., M16x1 M brass+Ni	1				10
8	80.0327.51	Seal holding pin, Sst.	1				5	54	10.3179.10	O-ring, 2,62x13,94 mm Vi 70	1	•			10
9	10.2030.00	Stem seal, 15x20x2,2 mm +O-ring	2	•			4	55	80.0337.56	Intake tube, 1/4M Bsp 113mm Sst.	1				3
10	80.0326.51	Nzl hold. pinion, z.41 M4 FF Sst.	1				3	56	80.0344.85	Knob, 32x110mm PP black	1				5
11	10.3055.10	O-ring, 1,78x7,66 mm Vi 70	1	•			10	57	80.0346.35	Elbow+hose barb, 20mm brass+Ni	1				3
12	80.0325.51	Pin, M10x1 Sst.	1				1	58	80.0347.35	Hand nut, G3/4 brass+Ni	1				5
13	10.3010.10	O-ring, 1x18 mm Vi 70	2	•			10	59	80.0336.31	Venturi fitting, brass+Ni	1				3
14	80.0331.51	Stator, Sst.	1				1	60	80.0335.81	Taper.ring,opn. 14x20x11mm POM white	1				10
15	15.3704.00	Plug, M4 plast.	2				4	61	80.0334.31	Ring nut, M24x1,5 brass+Ni	1				5
16	10.2030.18	Stem seal, 18x23x2 mm +O-ring Epdm	3	•			5	62	10.3109.95	O-ring, 2,4x9,3 mm Vi 70	2	•			25
17	80.0024.85	Bushing, opn. 18x22x14,8mm PTFE	1				5	63	80.0333.31	Nozzle holder, 3/8M Bsp brass+Ni	1				3
18	10.3026.10	O-ring, 1,5x20 mm Vi 70	1	•			10	64	10.3052.00	O-ring, 1,78x6,75 mm	1	•			25
19	80.0372.23	Pinion, z.34 Sst.+bushing,opn.15mm PTFE	1				3	65	25.0019.51	Nozzle, 02 d.10,5x15 mm Sst.	1				5
20	80.0456.81	Tapered plug, 60 mm	1				1	66	80.0349.35	T-fitting, 3/8Bsp FFF brass+Ni	1				3
21	10.3206.10	O-ring, 2,62x28,25 mm Vi 70	2	•			10	67	80.0348.31	Coupl., 3/8M Bsp-M22x1 M brass+Ni	1				3
22	80.0453.56	Tube, G1/4 340mm Sst.	1				1	68	80.0402.31	Slide valve, 3/8M-1/4M Bsp brass	1				3
23	80.0458.56	Tube, M28x1M 237mm Sst.	1				1	69	10.4058.00	Back-up ring, opn. 14x16x2 mm	3	•			10
24	80.0012.51	Ring nut, M28x1 Sst.	1				1	70	10.3058.10	O-ring, 1,78x10,82 mm Vi 70	3	•			10
25	10.3205.10	O-ring, 2,62x26,64 mm Vi 70	1	•			10	71	80.0403.21	Knob, PA black + Insert, brass	1				3
26	80.0455.51	Piston, Sst.	1				1	72	29.0402.51	Snap ring, 1,6x14,3 mm Sst.	1				5
27	80.0454.31	Elbow, nickel-plated brass	1				1	73	26.0252.51	Snap ring, 1,5x15,5 mm Sst.	1				10
28	80.0451.56	Tube, 1/4MM Bspt 45 mm Sst.	1				1	74	26.0260.22	Hand nut, M22x1,5 - 17,5mm black	1				10
29	16.1852.10	Screw, DIN912 M4x14 mm Sst.	12				10	75	10.4010.01	Back-up ring,10,2x13,9x1,2mm	1	•			50
30	80.0460.31	Coupling, nickel-plated brass	1				1	76	26.0261.31	Plug, 14mm-1/4F Bsp brass	1				10
31	11.4412.28	Ball-bearing, 12x28x8 mm - 2RS1 Sst.	1				3	77	80.0400.00	Flow regulator -RF1, 3/8M -1/4M Bsp	1				3
32	10.3208.00	O-ring, 2,62x34,59 mm	1	•			10	78	80.0350.51	Nozzle, 02 - 1,0mm - M4 Sst. light green	2	•			10
33	80.0510.53	Shim ring, 12,3x17x0,5mm Sst.	1				5	78	80.0351.51	Nozzle, 025 - 1,1mm - M4 Sst. pink	2	•			10
34	16.2200.00	Set screw, DIN913 M6x6 mm	2				10	78	80.0352.51	Nozzle, 03 - 1,2mm - M4 Sst. white	2	•			10
35	10.0999.05	Snap ring, E 12 Sst.	1				10	78	80.0353.51	Nozzle, 035 - 1,3mm - M4 Sst. brown	2	•			10
36	80.0457.61	Tapered gear, z:20	2				1	78	80.0354.51	Nozzle, 04 - 1,4mm - M4 Sst. yellow	2	•			10
37	16.1860.00	Screw, DIN912 M4x60 mm Sst.	2				10	79	25.4367.24	Suction tube kit -M25E, 6x1pcs.	1				1
38	80.0317.88	Motor seal, NBR	2				2	80	25.4353.20	Exten.-M21E 20m 12V DC MF **	1				1
39	80.0459.41	Flange, black	1				1	81	30.5061.84	Rest (3)	1				5
40	80.0452.41	Casing	1				1	82	12.8320.00	Wing nut, M6x1x10mm +screw (3)	1				3
41	16.1832.00	Screw, ISO7380 M6x8 mm Sst.	1				10	83	80.0463.51	Bushing, Sst. (3)	1				3
42	14.4096.00	Sealing washer, d.6 mm	1				4	84	80.0461.51	Guide screw, Sst. (3)	1				3
43	13.0829.00	Gearmotor, 12V 10Rpm	1				1	85	11.4627.50	Hex. nut, M10, Sst. (3)	1				10
44	80.0301.84	Motor casing, PA black	1				1	86	80.0462.81	Ring, 62,8 mm plastic (3)	1				3
45	13.5997.00	Cable gland 1/4 +protection	1				5	87	25.4385.00	Holder for M28E-Barrel cleaner	1				1
46	12.5019.31	Pilot lamp	1				5	88	14.3911.00	Washer, 13,5x19x1,5 mm Cu	1				10
47	12.5019.25	Cable, 1x0,75 L.250 mm	1				5	89	14.6552.00	Teflon silicon grease x30g.>All **	1				2

** On request

Kit	P/N	Description	Q.ty
K1	25.4320.24	Nozzle kit M4 - M21E 2x5pcs.	1
K2	25.4382.24	Seals kit -M28E, 1x15 pcs.	1

(1) 25.4380.00 (2) 25.4380.60 (3) 25.4385.00

28.3300.00 BTE 1980 Inclin.Ceiling boom-1 spring



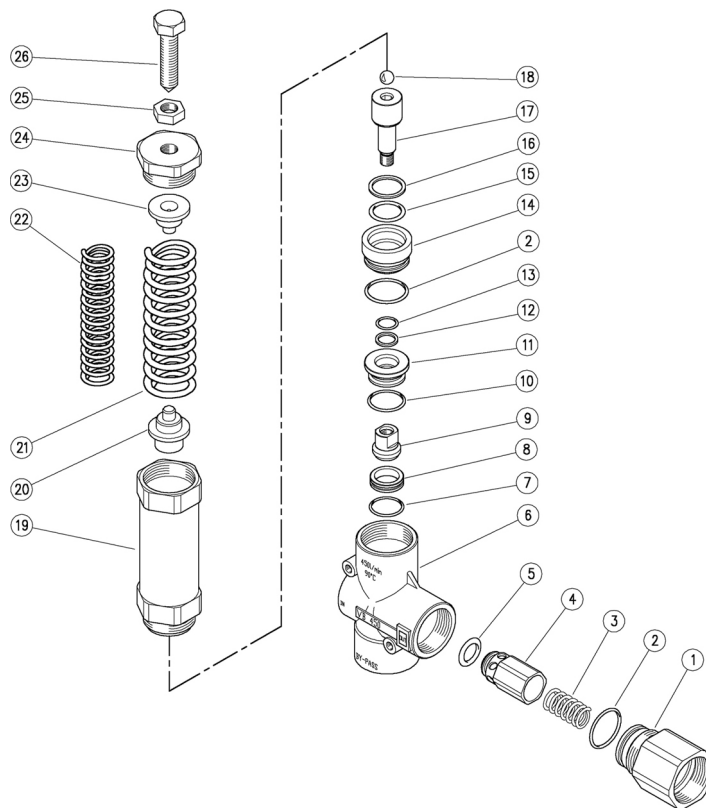
Pos.	P/N	Description	Q.ty	K1	K2	K3	K4	Pos.	P/N	Description	Q.ty	K1	K2	K3	K4
1	13.5006.00	Nipple,z.pl. 1/4MM Bsp	1				25	9	28.0364.31	Plug, int.hex. 1/4 Bspt brass	1				10
2	28.3153.85	Hose protector 170 mm	1				10	10	28.3001.84	Guard ring, PVC black	1				10
3	16.0510.70	Hose, 1/4F Bsp-12 1,97m	1				1	11	11.4439.68	Ball-bearing, 40x68x15 mm - 2RS1	2				2
4	13.5023.00	Ring fitting, 3/8M Bspt-d.12F	1				5	12	28.3002.51	Snap ring, 2,5x36,8 mm Sst.	1				10
5	26.1200.40	SW25 Swivel,ball-bear. 3/8 MF Bsp	1				5	13	28.3004.84	Guard ring, PVC black	1				10
6	28.3301.51	Spring, 380mm, Sst.	1				5	14	14.3813.22	Washer, 13,2x22x1,5 mm alu.	2				25
7	28.3305.21	BTE Welded boom, 1630 mm Sst.	1				1	15	26.1300.20	SW90 Swivel 90°, sst, 1/4 MF Bsp	1				5
8	28.3302.21	BTE Ceiling mount pin	1				1								

60.4020.00 VB450/200 unload. 1"1/4 Bsp F

60.4030.00 VB450/300 unload. 1"1/4 Bsp F


60.4220.00 VRP 450/200 reg.valv 1"1/4 Bsp F

60.4230.00 VRP 450/300 reg.valv.1"1/4 Bsp F



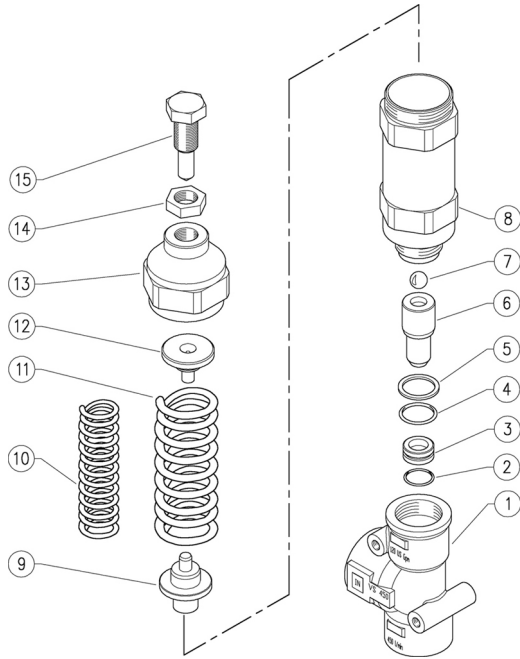
Pos.	P/N	Description	Q.ty	K1	K2	K3	K4	
1	60.4014.31	Piston holder, 1"1/4 Bsp F	1					3
2	10.3208.28	O-ring, 2,62x36,17 mm Ni85	2	•	•			5
3	60.4013.51	Spring, 1,6x23,1x44mm (1,2)	1					3
4	60.4012.31	Check valve (1,2)	1					3
5	10.3350.00	O-ring, 6x18 mm (1,2)	1	•				10
6	60.4001.35	Housing -VB450, 1"1/4Bsp F, brass	1					1
7	10.3077.08	O-ring, 1,78x28,3 mm Ni 85	1	•	•			10
8	60.4002.51	Seat	1	•	•			3
9	60.4003.51	Shutter, M 12	1	•	•			3
10	10.3206.08	O-ring, 2,62x28,25 mm Ni85	1	•	•			10
11	60.4005.31	Bushing	1					3
12	10.4084.00	Back-up ring, 16x20,5x2mm	1	•	•			5
13	10.3181.20	O-ring, 2,62x15,88 mm	1	•	•			10

Pos.	P/N	Description	Q.ty	K1	K2	K3	K4	
14	60.4007.31	Bushing	1					3
15	10.3246.05	O-ring 3,53x28,17 mm	1	•	•			5
16	10.4096.00	Back-up ring, 28x34x2mm	1	•	•			5
17	60.4004.51	Piston, M 12	1					3
18	14.7465.00	Ball, 1/2" Sst.	1					5
19	60.4009.31	Piston holder	1					1
20	60.4010.31	Ball holder	1					3
21	60.4006.61	Spring, 9x33x110mm	1					2
22	60.4015.61	Spring (2,3)	1					2
23	60.4016.31	Spring holder	1					3
24	60.4008.31	Screw plug M 48	1					3
25	11.4845.00	Nut, M16x1,5 Sst.	1					5
26	60.4011.51	Screw, M16x54mm Sst.	1					3

Kit	P/N	Description	
K1	60.4022.24	Spares kit -VB 450/200-300, 10x1pcs.	1
K2	60.4222.24	Spares kit -VRP 450/200-300, 9x1pcs.	1

(1) 60.4020.00 (2) 60.4030.00 (3) 60.4230.00

60.4120.00 VS450/200 safety valve 1"1/4F Bsp F
60.4120.50 VS450/200 unload. 1"1/4 Npt F

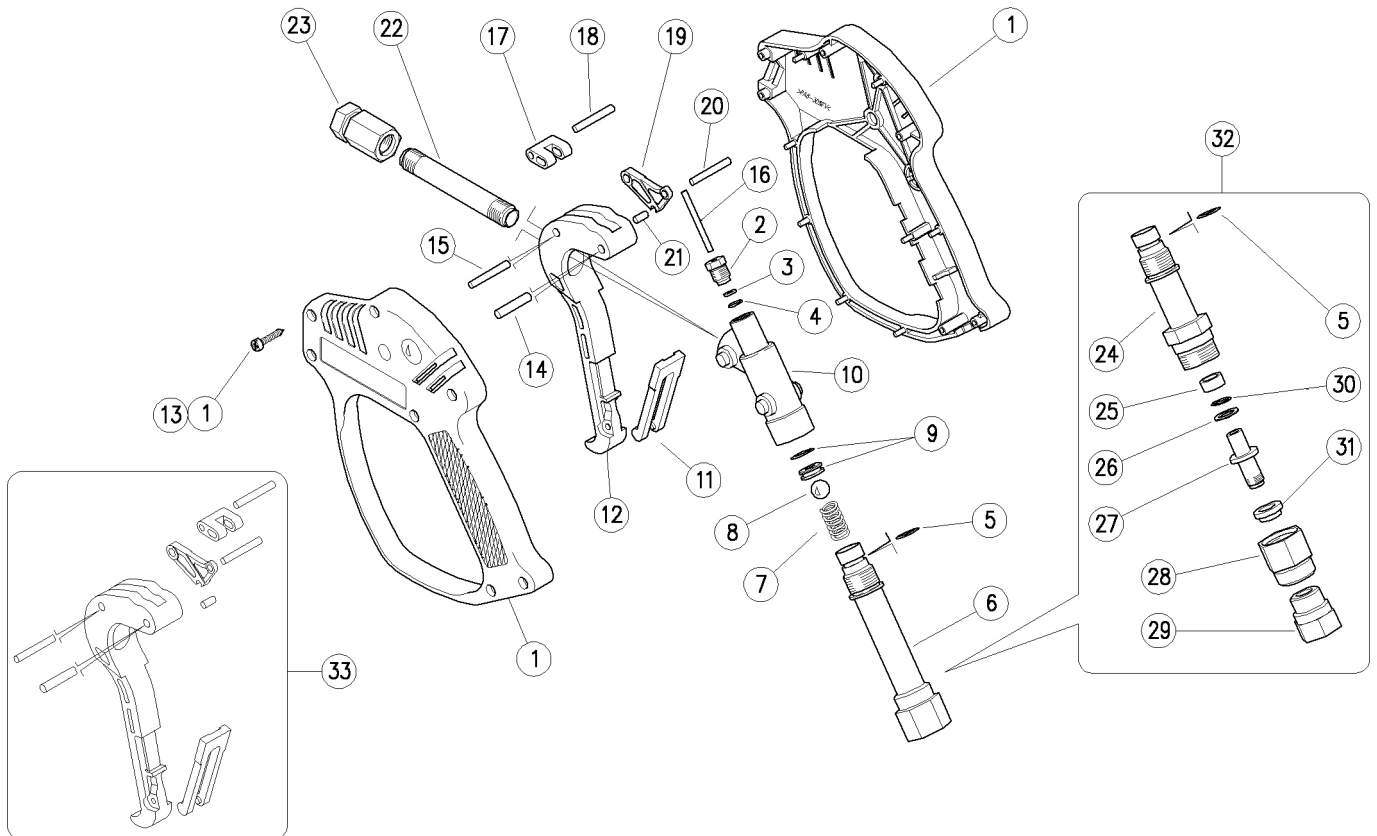


60.4130.00 VS450/300 unload. 1"1/4F Bsp F
60.4130.50 VS450/300 unload. 1"1/4 Npt F

Pos.	P/N	Description	Q.ty	K1	K2	K3	K4	
1	60.4101.35	Housing -VS450, 1"1/4 Bsp brass (1)	1					1
1	60.4111.35	Housing -VS450, 1"1/4 Npt F brass (2)	1					1
2	10.3072.01	O-ring, 1,78x20,35 mm Ni 85	1	•				10
3	60.4109.51	Seat, 15x23,5x10 mm Sst.	1	•				3
4	10.3244.00	O-ring, 3,53x24,99 mm	1	•				10
5	10.4097.00	Back-up ring, 25x31,2x2mm	1	•				5
6	60.4108.51	Piston -VS450, Sst.	1	•				3
7	14.7465.00	Ball, 1/2" Sst.	1					5
8	60.4106.31	Piston holder, M 36	1					1
9	60.4103.31	Ball holder	1					3
10	60.4110.61	Spring, 5,5x15,5x94mm (1)	1					3
11	60.4102.61	Spring, 10,5x33,5x119mm	1					3
12	60.4105.31	Spring guide	1					3
13	60.4104.31	Plug, M 52 brass	1					3
14	11.4850.08	Nut, M 18 Sst.	1					3
15	60.4107.51	Screw, M18 Sst.	1					5

Kit	P/N	Description	Q.ty
K1	60.4122.24	Spares kit -VS 450/200-300, 5x1pcs.	1
(1)	60.4130.00	(2) 60.4130.50	

30.4100.10 RL51 spr.gun 3/8F-1/4F Bsp
30.4100.60 RL51 spr.gun 3/8F-1/4F Npt



30.4120.10 RL51 spr.gun +sw 3/8F-1/4F Bsp

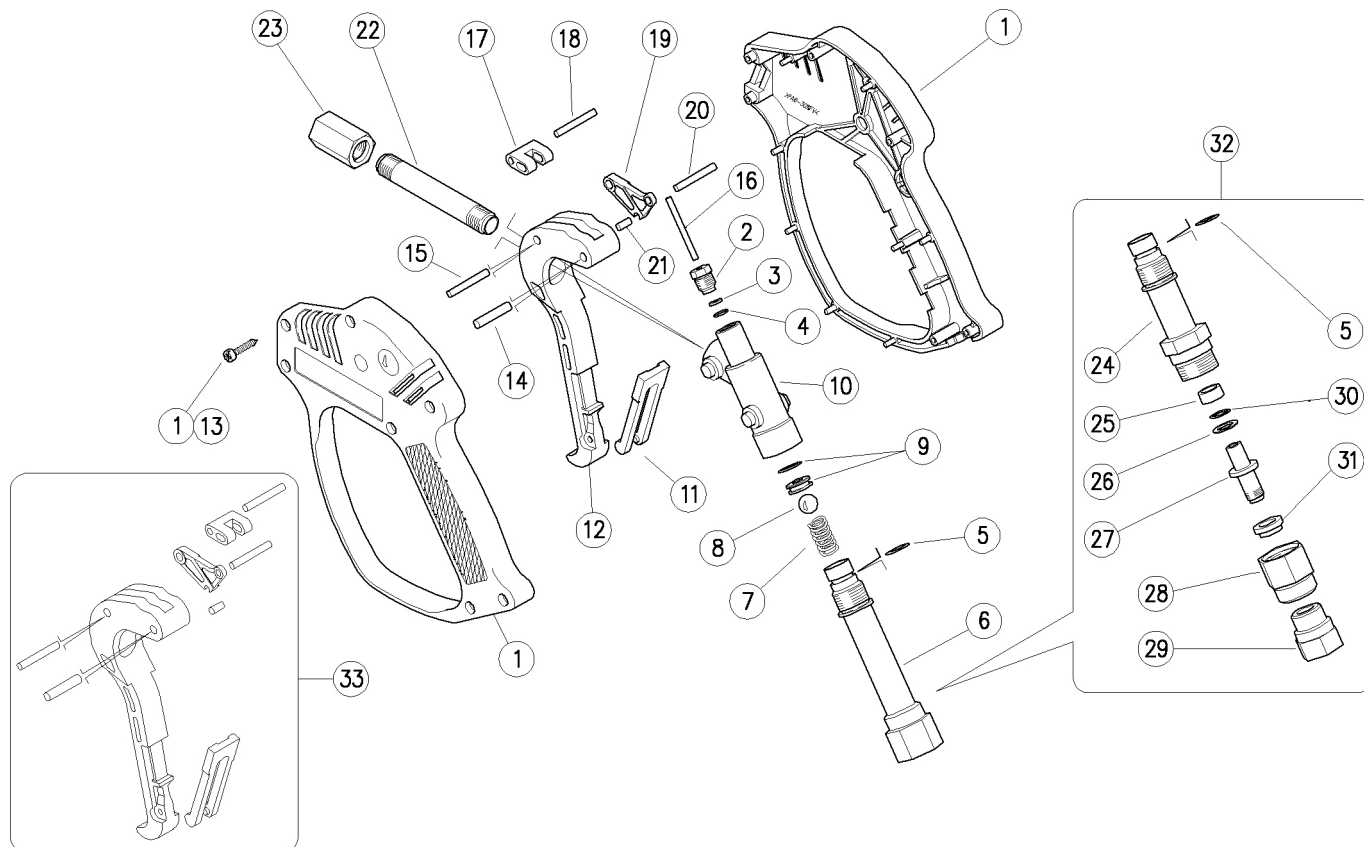
Pos.	P/N	Description	Q.ty	K1	K2	K3	K4	
1	30.4129.24	Casing-kit -RL51 +screws	1					1
2	30.4115.31	Front Plug, M10x1 brass	1					10
3	10.4018.00	Back-up ring, 3,2x7,5x1,2 mm	1	•	•			10
4	10.3165.00	O-ring, 2,62x2,84 mm Vi 70	1	•	•			10
5	10.3060.01	O-ring, 1,78x12,42 mm Ni 85	1	•	•			10
6	30.4106.35	Inlet housing, 3/8F Bsp brass (1)	1					3
6	30.4119.35	Inlet housing, 3/8F Npt brass (2)	1					3
7	30.4108.51	Spring, 1,6x8,8x24 mm Sst.	1					10
8	14.7461.00	Ball, 13/32" Sst.	1	•	•			10
9	30.1002.20	Seat, 7mm Sst. +O-ring 1,78 mm	1	•	•			10
10	30.4105.35	Housing -RL51/56, brass	1					3
11	30.1514.84	Safety latch, PA yellow	1					10
12	30.4127.84	Trigger -RL51/56, PA black	1					10
13	16.3077.00	S/tapping screw, DIN7981 3,5x18 mm	7					10
14	30.4114.51	Parallel pin, 5x33 mm Sst.	1					10
15	30.4121.51	Parallel pin, 5x22 mm Sst.	1					10
16	30.4109.51	Piston, 3x37,6 mm Sst.	1	•	•			10
17	30.4104.84	Connecting rod , PA black	1					10

Pos.	P/N	Description	Q.ty	K1	K2	K3	K4	
18	30.4113.51	Parallel pin, 4x29 mm Sst.	1					10
19	30.4124.84	Connecting rod -RL51/56, PA black	1					10
20	30.4112.51	Parallel pin, 4x20 mm Sst.	1					10
21	30.4122.51	Parallel pin, 4x13 mm Sst.	1					10
22	30.4110.56	Front tube, 1/4Bsp MM 85mm Sst.	1					3
23	30.4111.31	Outlet coupl., 1/4Bsp FF brass (1)	1					3
23	30.4117.31	Outlet coupl., 1/4F Bsp-1/4F Npt brs. (2)	1					5
24	30.4521.31	Swivel inlet housing, brass (3)	1					3
25	26.1046.84	Bushing, 10x14x7 mm Plast. (3)	1	•				5
26	10.4010.01	Back-up ring,10,2x13,9x1,2mm (3)	1	•				50
27	26.1041.31	Pin, M12x1,25 brass (3)	1					10
28	26.1042.31	Ring nut, M22x1 brass	1					10
29	30.4522.31	Coupl., M12x1,25F-3/8F Bsp brass (3)	1					3
30	10.3109.95	O-ring, 2,4x9,3 mm Vi 70 (3)	1	•				25
31	26.1045.84	Bushing, 12x20x6 mm Plast. (3)	1	•				5
32	30.4125.24	Tube+sw. -RL51, 3/8F Bsp (3)	1					3
33	30.4131.24	Trigger kit -RL50-51, yellow saf.latch	1					1

Kit	P/N	Description	
K1	30.4118.24	Spar.kit -RL50-51, 7(6)x1pcs.	1
K2	30.4123.24	Spares kit -RL50/1+sw, 11(10)x1pcs.	1

(1) 30.4100.10 (2) 30.4100.60 (3) 30.4120.10

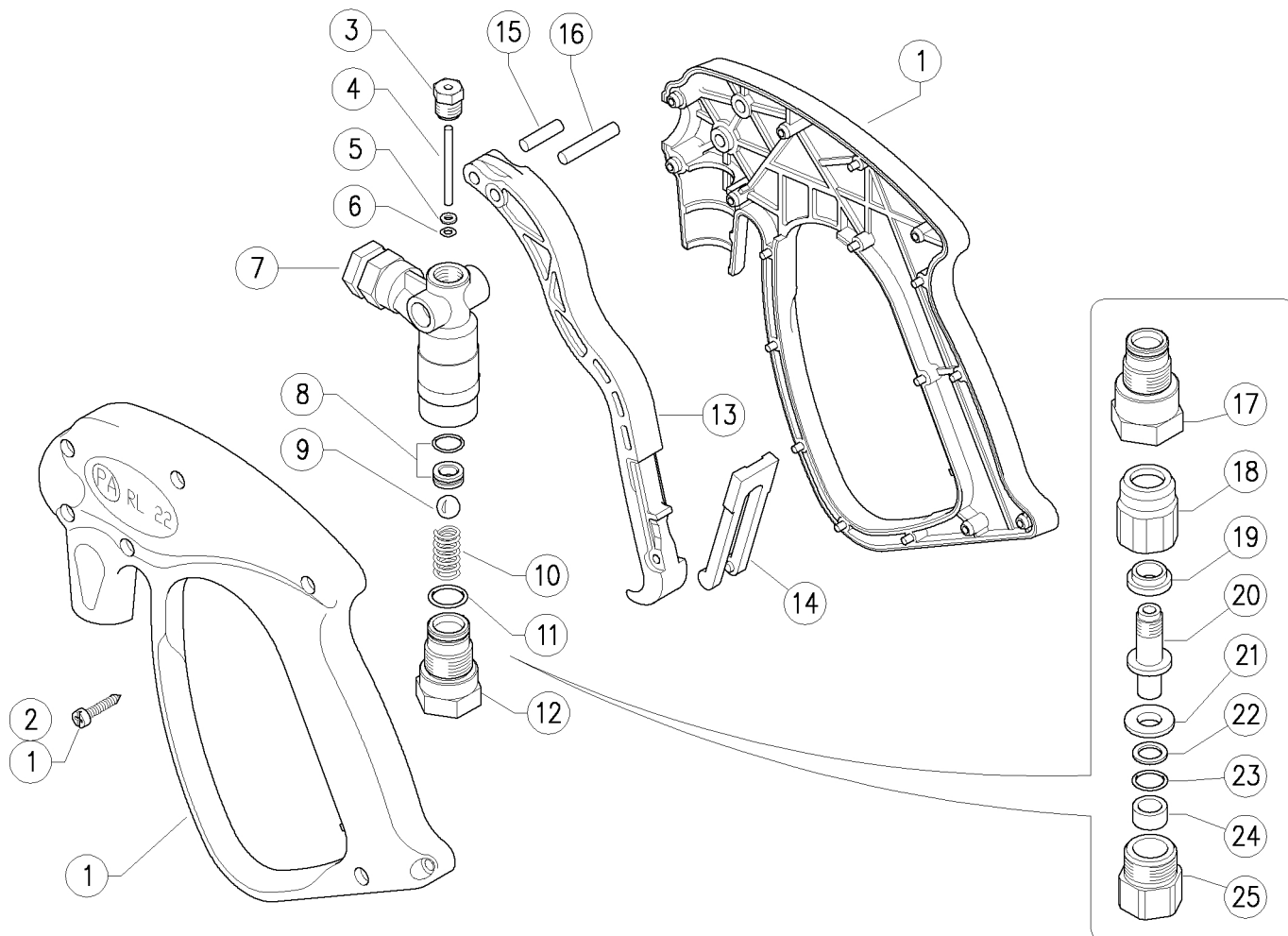
30.4500.10 RL56 spr.gun 3/8F-1/4F Bsp



Pos.	P/N	Description	Q.ty	K1	K2	K3	K4		Pos.	P/N	Description	Q.ty	K1	K2	K3	K4	
1	30.4526.24	Casing-kit -RL56 +screws	1					1	18	30.4113.51	Parallel pin, 4x29 mm Sst.	1					10
2	30.4115.31	Front Plug, M10x1 brass	1					10	19	30.4124.84	Connecting rod -RL51/56, PA black	1					10
3	10.4018.00	Back-up ring, 3,2x7,5x1,2 mm	1	•	•			10	20	30.4112.51	Parallel pin, 4x20 mm Sst.	1					10
4	10.3165.00	O-ring, 2,62x2,84 mm Vi 70	1	•	•			10	21	30.4122.51	Parallel pin, 4x13 mm Sst.	1					10
5	10.3060.01	O-ring, 1,78x12,42 mm Ni 85	1	•	•			10	22	30.4110.56	Front tube, 1/4Bsp MM 85mm Sst.	1					3
6	30.4106.35	Inlet housing, 3/8F Bsp brass (1)	1					3	23	30.4508.31	Outlet coupl., 1/4Bsp FF brass (1)	1					5
6	30.4119.35	Inlet housing, 3/8F Npt brass	1					3	23	30.4509.31	Outlet coupl., 1/4F Bsp-1/4F Npt brass	1					5
7	30.4108.51	Spring, 1,6x8,8x24 mm Sst.	1					10	24	30.4521.31	Swivel inlet housing, brass	1					3
8	14.7443.10	Ball, 11/32" Sst.	1	•	•			10	25	26.1046.84	Bushing, 10x14x7 mm Plast.	1	•				5
9	30.2014.20	Seat, 6mm Sst.+O-ring 1,78mm	1	•	•			10	26	10.4010.01	Back-up ring, 10,2x13,9x1,2mm	1	•				50
10	30.4105.35	Housing -RL51/56, brass	1					3	27	26.1041.51	Pin, M12x1,25 Sst.	1					5
11	30.1510.84	Safety latch, PA red	1					10	28	26.1042.51	Ring nut, M22x1 Sst.	1					5
12	30.4127.84	Trigger -RL51/56, PA black	1					10	29	30.4522.31	Coupl., M12x1,25F-3/8F Bsp brass	1					3
13	16.3077.00	S/tapping screw, DIN7981 3,5x18 mm	7					10	30	10.3109.95	O-ring, 2,4x9,3 mm Vi 70	1	•				25
14	30.4114.51	Parallel pin, 5x33 mm Sst.	1					10	31	26.1045.84	Bushing, 12x20x6 mm Plast.	1	•				5
15	30.4121.51	Parallel pin, 5x22 mm Sst.	1					10	32	30.4525.24	Tube+sw. -RL55-6, 3/8F Bsp	1					3
16	30.4109.51	Piston, 3x37,6 mm Sst.	1	•	•			10	33	30.4512.24	Trigger+pin kit -RL55-56	1					1
17	30.4104.84	Connecting rod , PA black	1					10									

Kit	P/N	Description	Q.ty
K1	30.4504.24	Spares kit -RL55/6, 7x1pcs.	1
K2	30.4524.24	Repair kit -RL55-6+sw, 11x1pcs.	1

(1) 30.4500.10



Pos.	P/N	Description	Q.ty	K1	K2	K3	K4
1	30.0414.24	Casing-kit -RL22 +screws	1				1
2	16.3077.00	S/tapping screw, DIN7981 3,5x18 mm	7				10
3	30.4115.31	Front Plug, M10x1 brass	1				10
4	30.0411.51	Piston, 3 mm Sst.	1	•			10
5	10.4018.00	Back-up ring, 3,2x7,5x1,2 mm	1	•			10
6	10.3165.00	O-ring, 2,62x2,84 mm Vi 70	1	•			10
7	30.0405.35	Housing -RL22, 1/4F Bsp brass	1				3
8	30.2014.20	Seat, 6mm Sst.+O-ring 1,78mm	1	•			10
9	14.7443.10	Ball, 11/32" Sst.	1	•			10
10	30.4108.51	Spring, 1,6x8,8x24 mm Sst.	1	•			10
11	10.3060.01	O-ring, 1,78x12,42 mm Ni 85	1	•			10
12	30.0408.31	Nipple, 3/8 BspF brass (1)	1	•			5
13	30.0409.84	Trigger -RL22, PA black	1				10

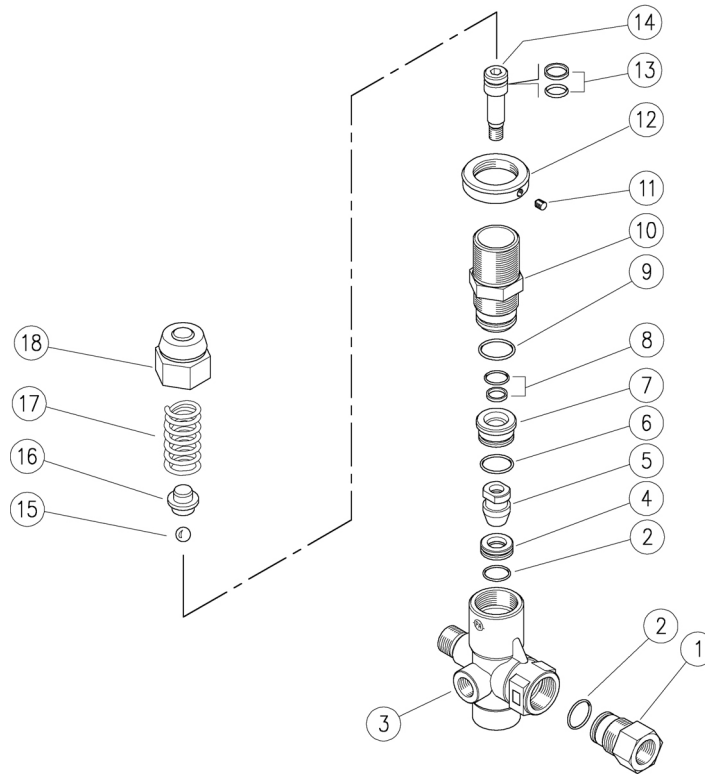
Pos.	P/N	Description	Q.ty	K1	K2	K3	K4
14	30.1510.84	Safety latch, PA red	1				10
15	30.0412.51	Sst.parallel pin, 5x20mm	1				10
16	30.4114.51	Parallel pin, 5x33 mm Sst.	1				10
17	30.0422.31	Coupling, M18 M x M10 F brass (2)	1				5
18	30.0733.31	Nipple, M20x1 F brass (2)	1				5
19	30.0730.84	Bushing, 10x17x6 mm plast. black (2)	1				10
20	30.1553.31	Pin -SW, M10x1,25 M brass (2)	1				5
21	30.0729.31	Spacer ring, 9x19x3 mm brass (2)	1				10
22	10.4008.50	Back-up ring, 9x13,2x1,2 mm (2)	1				10
23	10.3109.93	O-ring, 2,4x8,3 mm Vi 70 (2)	1				10
24	30.0728.84	Bushing, 9x13x6 mm plast. black (2)	1				10
25	30.0421.31	Nipple, Sw8 3/8 BspF brass (2)	1				5

Kit	P/N	Description	Q.ty
K1	30.0415.24	Spares kit -RL22, 7x1pcs.	1

(1) 30.0400.00 (2) 30.0420.00

60.0542.00 VRP280 Pressure Regul. Valve, 3/8 Bsp F

60.0542.50 VRP280 Press.Regul. Valve, 3/8 Npt MF



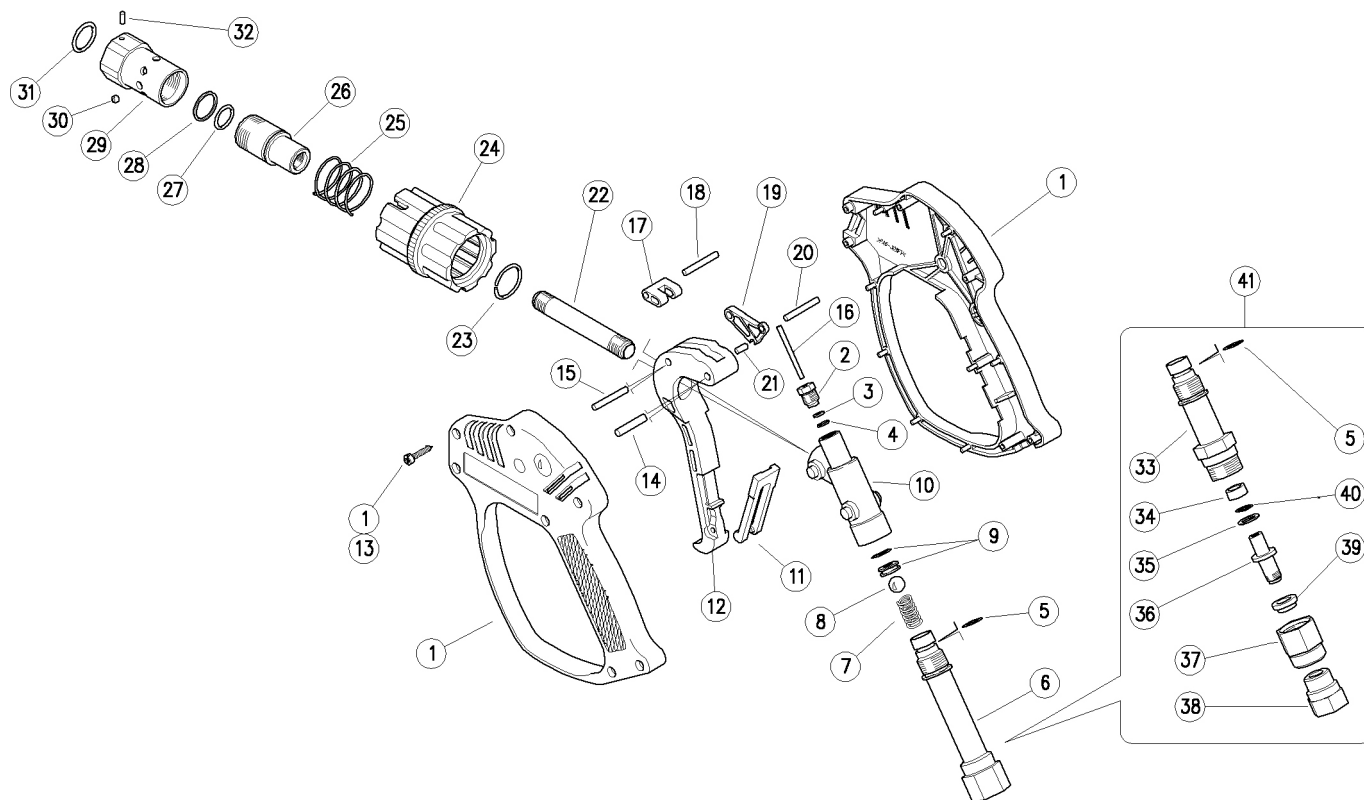
Pos.	P/N	Description	Q.ty	K1	K2	K3	K4	
1	60.1811.31	Shutter coupl., 3/8F Bsp brass	1					3
1	60.1817.31	3/8Npt F nipple (1)	1					3
2	10.3066.01	O-ring, 1,78x15,6 mm Ni 85	2	•				10
3	60.1725.35	Hous.-V280-350/4, 3/8M c/snk+1/4F Bsp brs	1					3
3	60.1717.35	Hous.-V280-350/4, 3/8M Npt +1/4FNpt brs (1)	1					3
4	60.1809.51	Seat, 11,6x19x6 mm Sst.	1	•				5
5	60.1808.51	Shutter pin, M8 Sst.	1	•				3
6	10.3068.01	O-ring, 1,78x17,17 mm Ni 85	1	•				10
7	60.1810.31	Spacer ring, 10,3x23,4x12,5 mm brass	1					5
8	60.0979.24	Stem seal, 10x14,9x2,2 mm+O-ring	1	•				5

Pos.	P/N	Description	Q.ty	K1	K2	K3	K4	
9	10.3072.01	O-ring, 1,78x20,35 mm Ni 85	1	•				10
10	60.0973.31	Piston holder, brass	1					3
11	16.2100.00	Set screw, DIN914 M4x4 mm	1					10
12	60.1728.31	Ring nut, M27x1 brass	1					3
13	60.0978.24	Piston seal, 9x14x2,2 mm+O-ring	1	•				5
14	60.1806.51	Piston, M8 Sst.	1					3
15	14.7443.10	Ball, 11/32" Sst.	1					10
16	60.1813.31	Spring rest pin, brass	1					5
17	60.0975.61	Spring, 4,2x19,7x42 mm z.pl.	1					10
18	60.1727.31	Valve regulating insert, brass	1					5

Kit	P/N	Description	
K1	60.0541.24	Spares kit -VRP280, 9x1pcs.	1

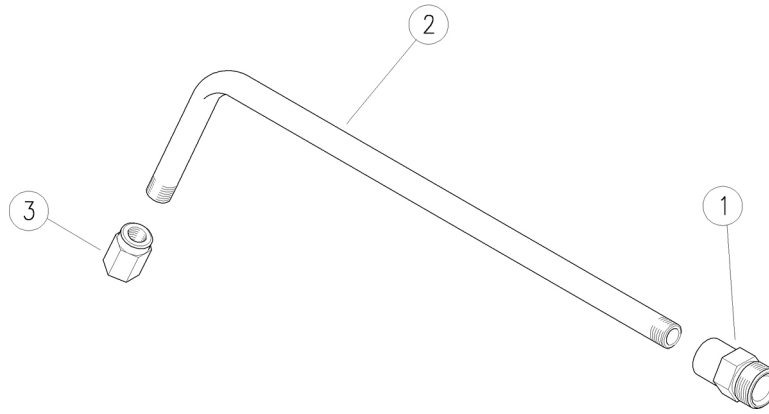
(1) 60.0542.50

30.4140.23 RL51 spr.gun +sw 3/8F Bsp+ARS 23



Pos.	P/N	Description	Q.ty	K1	K2	K3	K4	Pos.	P/N	Description	Q.ty	K1	K2	K3	K4																
1	30.4129.24	Casing-kit -RL51 +screws	1					22	30.4110.56	Front tube, 1/4Bsp MM 85mm Sst.	1				3																
2	30.4115.31	Front Plug, M10x1 brass	1					23	26.2103.51	Snap ring, 2x21,7 mm Sst.	1				5																
3	10.4018.00	Back-up ring, 3,2x7,5x1,2 mm	1	•				24	26.2105.21	Grip -ARS23, black	1				3																
4	10.3165.00	O-ring, 2,62x2,84 mm Vi 70	1	•				25	26.2033.51	Spring, 1,4x29,1x25 mm Sst.	1				10																
5	10.3060.01	O-ring, 1,78x12,42 mm Ni 85	1	•				26	26.2301.31	Housing, 1/4 Bsp F	1				3																
6	30.4106.35	Inlet housing, 3/8F Bsp brass	1					27	10.3181.53	O-ring, 2,62x17,2 mm	1				10																
7	30.4108.51	Spring, 1,6x8,8x24 mm Sst.	1					28	10.4036.29	Back-up Ring, 14x17x2,9 mm	1				10																
8	14.7461.00	Ball, 13/32" Sst.	1	•				29	26.2302.31	Ball Housing, -ARS23	1				3																
9	30.1002.20	Seat, 7mm Sst. +O-ring 1,78 mm	1	•				30	14.7410.10	Ball, 3/16" Sst.	8				10																
10	30.4105.35	Housing -RL51/56, brass	1					31	10.3179.10	O-ring, 2,62x13,94 mm Vi 70	1				10																
11	30.1514.84	Safety latch, PA yellow	1					32	15.1018.00	Parallel pin, 3x8 mm Sst.	1				10																
12	30.4127.84	Trigger -RL51/56, PA black	1					33	30.4521.31	Swivel inlet housing, brass	1				3																
13	16.3077.00	S/tapping screw, DIN7981 3,5x18 mm	7					34	26.1046.84	Bushing, 10x14x7 mm Plast.	1	•			5																
14	30.4114.51	Parallel pin, 5x33 mm Sst.	1					35	10.4010.01	Back-up ring, 10,2x13,9x1,2mm	1	•			50																
15	30.4121.51	Parallel pin, 5x22 mm Sst.	1					36	26.1041.31	Pin, M12x1,25 brass	1				10																
16	30.4109.51	Piston, 3x37,6 mm Sst.	1	•				37	26.1042.31	Ring nut, M22x1 brass	1				10																
17	30.4104.84	Connecting rod , PA black	1					38	30.4522.31	Coupl., M12x1,25F-3/8F Bsp brass	1				3																
18	30.4113.51	Parallel pin, 4x29 mm Sst.	1					39	26.1045.84	Bushing, 12x20x6 mm Plast.	1	•			5																
19	30.4124.84	Connecting rod -RL51/56, PA black	1					40	10.3109.95	O-ring, 2,4x9,3 mm Vi 70	1	•			25																
20	30.4112.51	Parallel pin, 4x20 mm Sst.	1					41	30.4125.24	Tube+sw. -RL51, 3/8F Bsp	1				3																
21	30.4122.51	Parallel pin, 4x13 mm Sst.	1																												
<table border="1"> <thead> <tr> <th>Kit</th> <th>P/N</th> <th>Description</th> <th>Q.ty</th> <th>K1</th> <th>K2</th> <th>K3</th> <th>K4</th> </tr> </thead> <tbody> <tr> <td>K1</td> <td>30.4123.24</td> <td>Spares kit -RL50/1+sw, 11(10)x1pcs.</td> <td>1</td> <td></td> <td></td> <td></td> <td></td> </tr> </tbody> </table>																Kit	P/N	Description	Q.ty	K1	K2	K3	K4	K1	30.4123.24	Spares kit -RL50/1+sw, 11(10)x1pcs.	1				
Kit	P/N	Description	Q.ty	K1	K2	K3	K4																								
K1	30.4123.24	Spares kit -RL50/1+sw, 11(10)x1pcs.	1																												

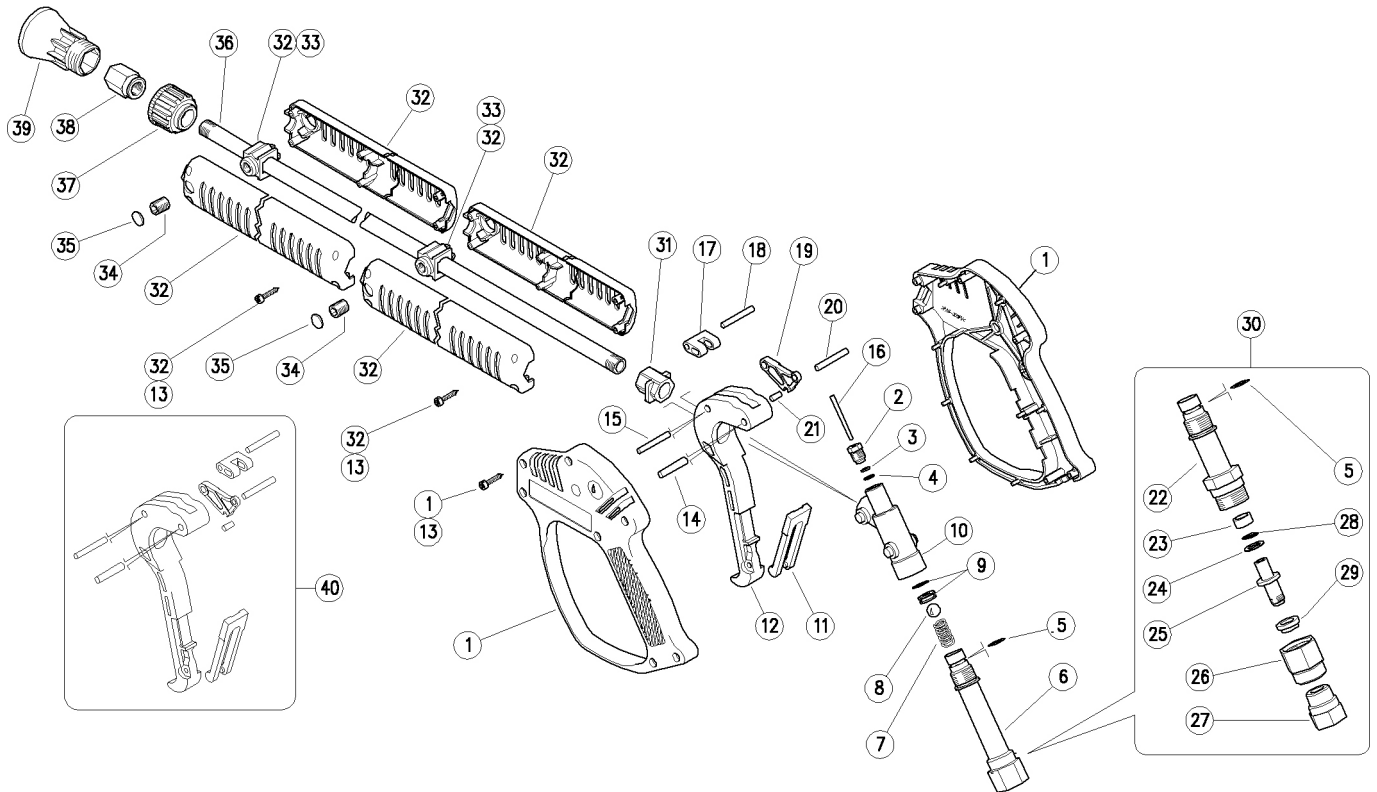
40.5191.00 Extn,z.pl.,u/bdy,90°,900mm+nzl/hold.





Pos.	P/N	Description	Q.ty	K1	K2	K3	K4	Pos.	P/N	Description	Q.ty	K1	K2	K3	K4
1	26.1032.31	AR5 A M22 screw-type nipple-1/4F Bsp	1				25	3	40.0007.61	Nozzle holder, 1/4F Bsp-1/4F Npt z.pl.	1				10
2	40.5902.66	Tube,z.pl.,900mm straight, 1/4MM Bsp	1				25								


- 30.4550.09 RL56 gun 3/8F Bsp+S3 350 800mm sst
- 30.4550.10 RL56 gun 3/8F Bsp+S3 350 1050mm sst
- 30.4550.12 RL56 gun 3/8F Bsp+S3 350 1200mm sst

- 30.4550.60 RL56 gun 3/8F Npt+S3 350 1050mm sst
- 30.4570.09 RL56 s.gun+sw.+S3 350 800mm sst,strg.
- 30.4570.12 RL56 s.gun+sw.+S3 350 1200mm sst,strg.



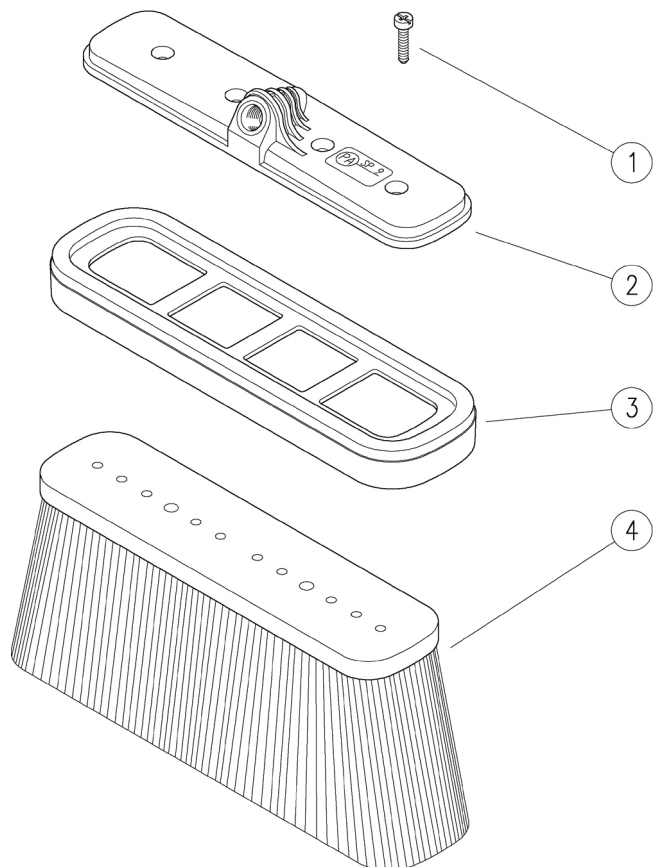
Pos.	P/N	Description	Q.ty	K1	K2	K3	K4	
1	30.4526.24	Casing-kit -RL56 +screws	1					1
2	30.4115.31	Front Plug, M10x1 brass	1					10
3	10.4018.00	Back-up ring, 3,2x7,5x1,2 mm	1	•				10
4	10.3165.00	O-ring, 2,62x2,84 mm Vi 70	1	•				10
5	10.3060.01	O-ring, 1,78x12,42 mm Ni 85	1	•	•			10
6	30.4106.35	Inlet housing, 3/8F Bsp brass	1					3
6	30.4119.35	Inlet housing, 3/8F Npt brass (1)	1					3
7	30.4108.51	Spring, 1,6x8,8x24 mm Sst.	1					10
8	14.7443.10	Ball, 11/32" Sst.	1	•	•			10
9	30.2014.20	Seat, 6mm Sst.+O-ring 1,78mm	1	•	•			10
10	30.4105.35	Housing -RL51/56, brass	1					3
11	30.1510.84	Safety latch, PA red	1					10
12	30.4127.84	Trigger -RL51/56, PA black	1					10
13	16.3077.00	S/tapping screw, DIN7981 3,5x18 mm	12-19					10
14	30.4114.51	Parallel pin, 5x33 mm Sst.	1					10
15	30.4121.51	Parallel pin, 5x22 mm Sst.	1					10
16	30.4109.51	Piston, 3x37,6 mm Sst.	1	•				10
17	30.4104.84	Connecting rod , PA black	1					10
18	30.4113.51	Parallel pin, 4x29 mm Sst.	1					10
19	30.4124.84	Connecting rod -RL51/56, PA black	1					10
20	30.4112.51	Parallel pin, 4x20 mm Sst.	1					10
21	30.4122.51	Parallel pin, 4x13 mm Sst.	1					10

Pos.	P/N	Description	Q.ty	K1	K2	K3	K4	
22	30.4521.31	Swivel inlet housing, brass (2)	1					3
23	26.1046.84	Bushing, 10x14x7 mm Plast.	1	•				5
24	10.4010.01	Back-up ring,10,2x13,9x1,2mm	1	•				50
25	26.1041.51	Pin, M12x1,25 Sst.	1					5
26	26.1042.51	Ring nut, M22x1 Sst.	1					5
27	30.4522.31	Coupl., M12x1,25F-3/8F Bsp brass	1					3
28	10.3109.95	O-ring, 2,4x9,3 mm Vi 70	1	•				25
29	26.1045.84	Bushing, 12x20x6 mm Plast.	1	•				5
30	30.4525.24	Tube+sw. -RL55-6, 3/8F Bsp (2)	1					3
31	30.4554.84	Gun outlet adapter, PA black	1					5
32	40.9998.98	Cas.-kit -S3-350 blue-fasten.al.	1-2					1
33	40.0304.41	Tube fastener, alum.	1-2					10
34	16.2230.00	Set screw, DIN916 M10x8 mm z.pl.	1-2					10
35	30.4553.84	Plug for grip, PA blue	1-2					10
36	40.8011.56	Tube,sst 800mm straight. 1/4MM Bsp	1					25
36	40.0028.56	Tube, 1/4Bsp MM 1050mm Sst. (3)	1					10
36	30.4555.56	Tube, 1/4Bsp MM 1200 mm Sst. (4)	1					3
37	40.0019.84	Ring nut, 24TpN3 PA blue	1					10
38	40.0007.51	Nozzle holder, 1/4F Bsp-1/4F Npt Sst.	1					10
39	40.0018.85	Nozzle protection, TPEs blue	1					10
40	30.4512.24	Trigger+pin kit -RL55-56	1					1

Kit	P/N	Description	
K1	30.4504.24	Spares kit -RL55/6, 7x1pcs.	1
K2	30.4524.24	Repair kit -RL55-6+sw, 11x1pcs.	1

(1) 30.4550.60 (2) 30.4570.09 (3) 30.4550.10 (4) 30.4550.12

29.0530.00 SP9 Brush 1/4 Bsp F black hair 77mm(3')

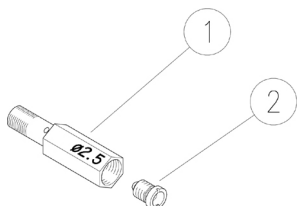


29.0540.00 SP9 Brush 1/2NptF black hair 97mm(3,8')

Pos.	P/N	Description	Q.ty	K1	K2	K3	K4	
1	16.3099.25	S/tapping screw, 6x25 mm Sst.	4					10
2	29.0533.22	Head, black 1/4 Bsp F	1					3
2	29.0543.22	Black head 1/2 Npt F (1)	1					3
3	29.0535.85	Rubber gasket	1					5
4	29.0532.21	Holder w/ black hair 77 mm	1					5
4	29.0542.21	Holder w/ black hair 97 mm (1)	1					3

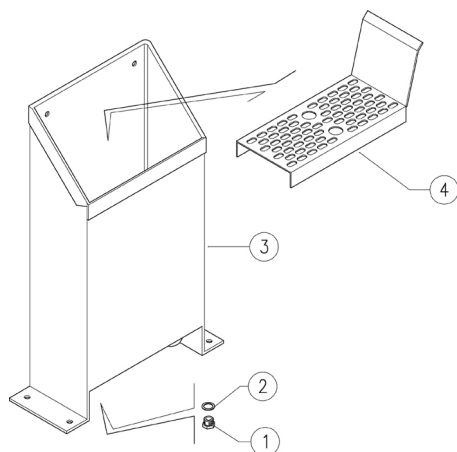
(1) 29.0540.00

21.0800.25 Foam Injector 1/4 Bspt M 2,5mm



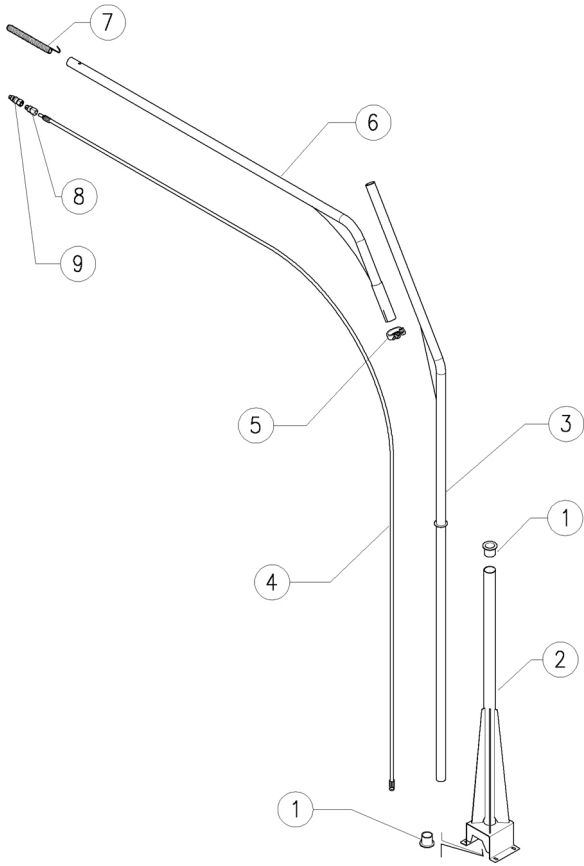
Pos.	P/N	Description	Q.ty	K1	K2	K3	K4	
1	21.0801.51	Housing, Injector 1/4 Bspt M, Sst.	1					2
2	21.0009.51	Nozzle, M8x1 - 2,5 mm Sst.	1					10

28.3250.00 VPS Brush Tank, Stainless steel



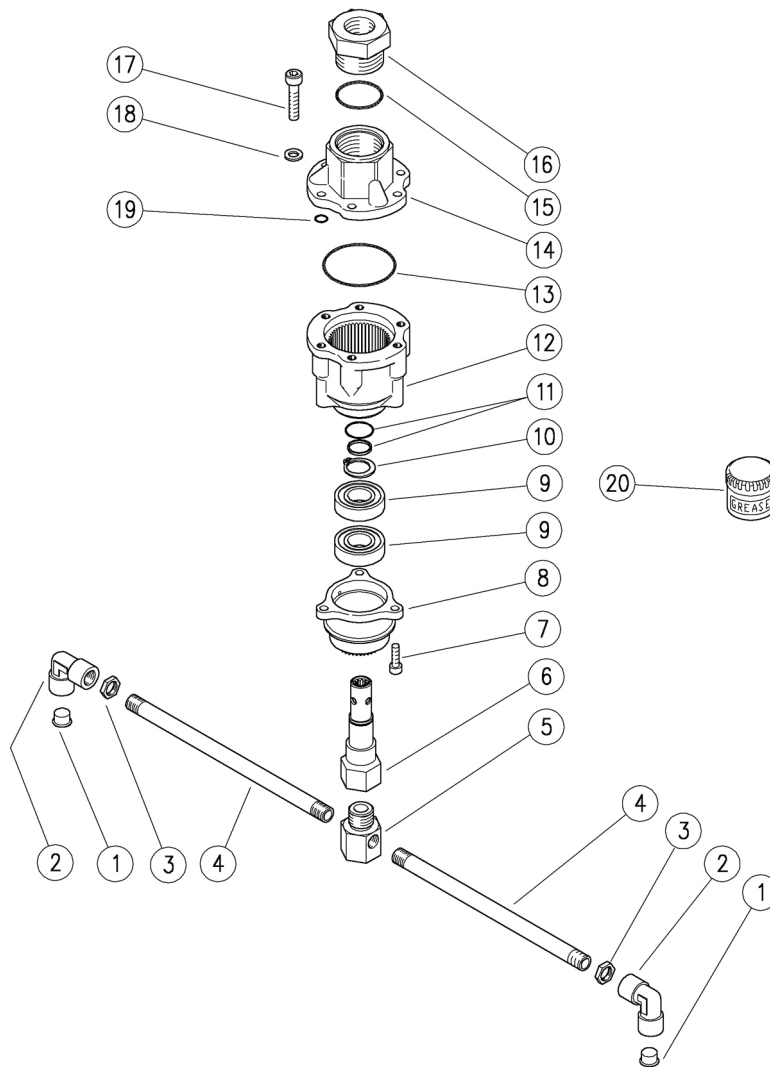
Pos.	P/N	Description	Q.ty	K1	K2	K3	K4	
1	60.0028.31	Plug,brass 3/8 Bsp,hex.19	1					25
2	14.4042.00	Washer, 16,7x22x1,5 mm alu.	1					25
3	28.3251.21	VPS Brush Tank, Stainless steel	1					1
4	28.3256.53	Bottom Grid, VPS	1					1

28.3400.00 BGMS Standing Boom + Sst. holder



Pos.	P/N	Description	Q.ty	K1	K2	K3	K4	
1	28.3406.84	Bushing + Shim ring, L.45mm	2					1
2	28.3401.21	Holder -BGMS, complete, welded, Sst	1					1
3	28.3412.21	Standing tube -BGMS,complete,welded,Sst.	1					1
4	16.0519.50	Hose, 3/84F Bsp-12 5,0m	1					1
5	11.7544.00	Hose clamp, d.44-47 mm	1					3
7	28.3301.51	Spring, 380mm, Sst.	1					5
8	13.5023.00	Ring fitting, 3/8M Bsp-t-d.12F	1					5
9	26.1200.40	SW25 Swivel,ball-bear. 3/8 MF Bsp	1					5

25.4880.00 A80FD Front/Direct Tank clean.-2 nozzles



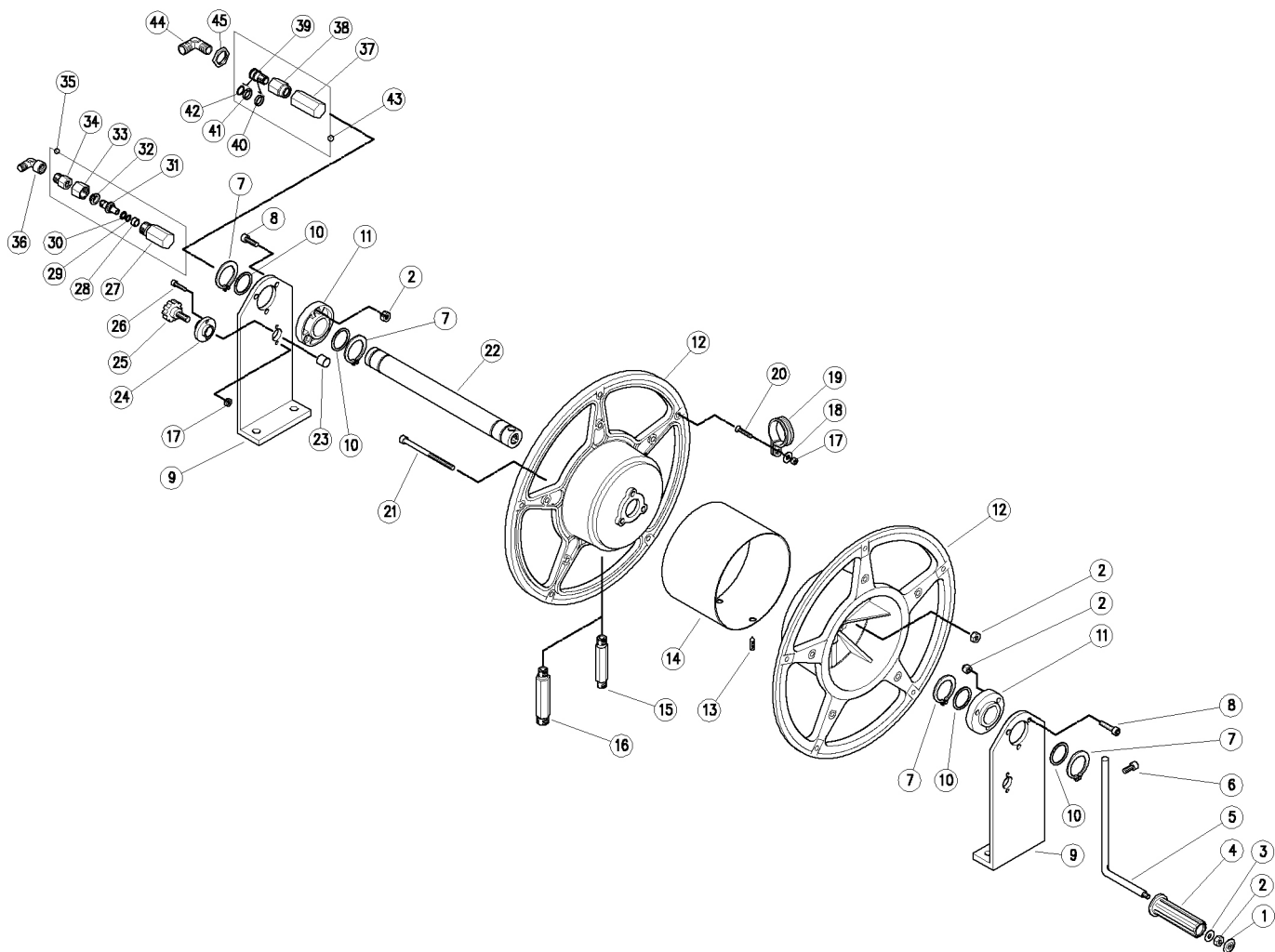
Pos.	P/N	Description	Q.ty	K1	K2	K3	K4		Pos.	P/N	Description	Q.ty	K1	K2	K3	K4	
1	15.3720.14	Plug, 1/4" Bsp plast.	2					4	11	10.2030.18	Stem seal, 18x23x2 mm +O-ring Epdm	1	•				5
2	12.2002.00	Elbow, brass, 1/4FF Bsp	2					25	12	80.0207.52	Ring gear, z.50 Sst.	1					1
3	29.0608.31	Locknut, 1/4F Bsp brass	2					10	13	10.3080.58	O-ring, 1,78x56,87 mm Vi 70	1	•				10
4	41.0501.56	Tube, Sst. 300mm straight 1/4MM Bsp	2					50	14	25.4881.52	Direct manifold	1					1
5	25.4841.51	2-way body, Sst.	1					1	15	10.3208.36	O-ring, 2,62x36,17 mm Vi 70	1	•				5
6	80.0248.51	Propeller shaft, Sst.	1					1	16	80.0217.51	Coupl., M40x2 M -3/4F Bsp Sst.	1					1
7	16.1896.20	Screw, DIN912 M6x20 mm Sst.	3					10	17	16.1958.51	Screw, M8x30 mm Sst.	6					6
8	80.0131.52	Pinion, z.39 Sst.	1					1	18	14.3573.00	Safet. washer, 8,4x2 mm Sst.	6					10
9	11.4420.42	Ball-bearing, 20x42x12 mm - 2RS1 Sst.	2		•			2	19	10.3109.93	O-ring, 2,4x8,3 mm Vi 70	3	•				10
10	10.1020.05	Snap ring, E 20 Sst.	1		•			10	20	14.6552.00	Teflon silicon grease x30g.>All **	1					2

** On request

Kit	P/N	Description	
K1	25.4828.24	Seals Spares Kit - A80R 10x1pcs.	1
K2	25.4852.24	Spares Kit - A80R 7x1pcs.	1

29.0360.00 T52 Hose reel,alum,3/8MM Bsp 80m
 29.0375.00 T53 Hose reel,alum,1/2MM Bsp 58m

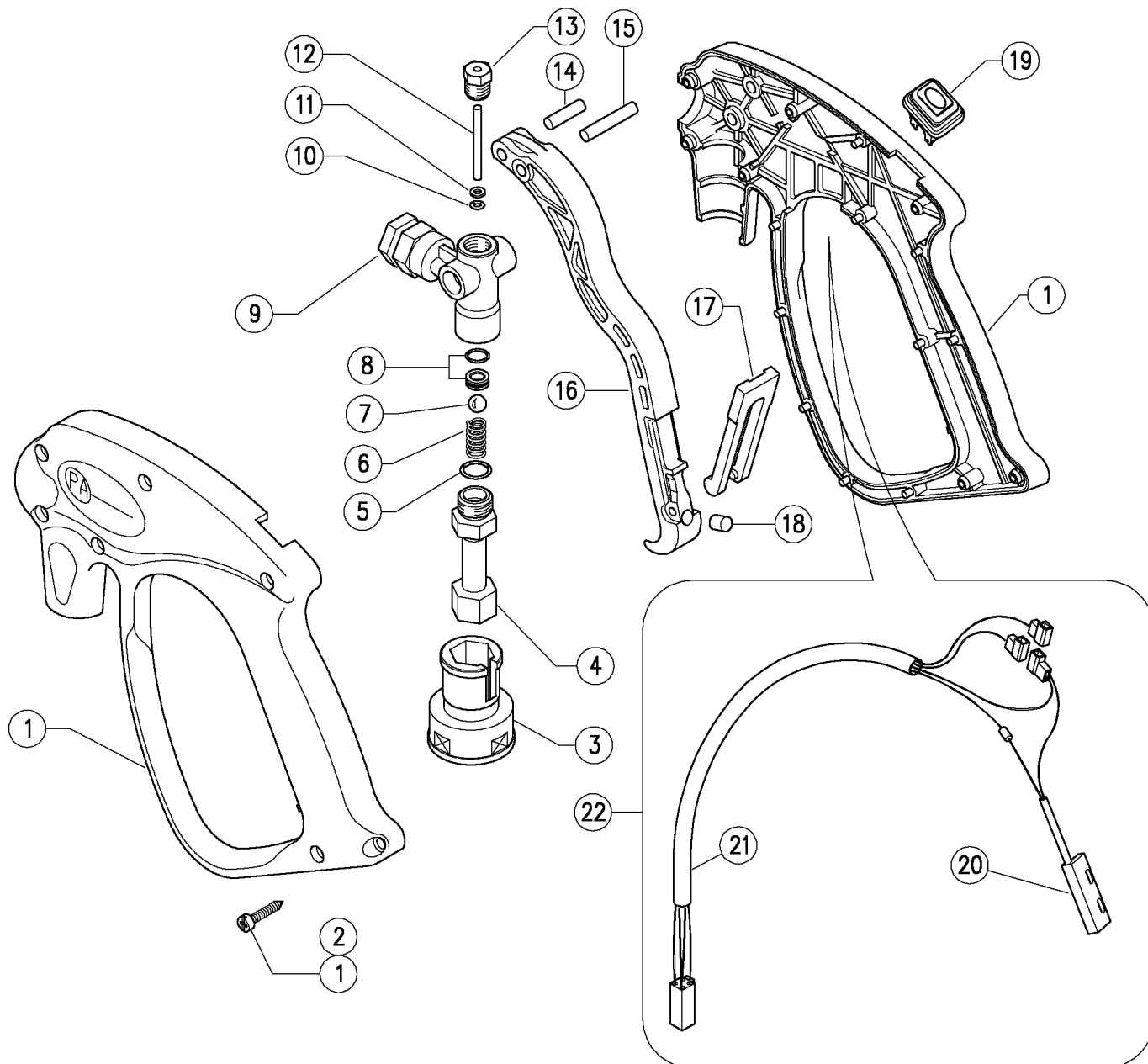
29.0390.00 T100 Hose reel,alum,1/2MM Bsp 100 m



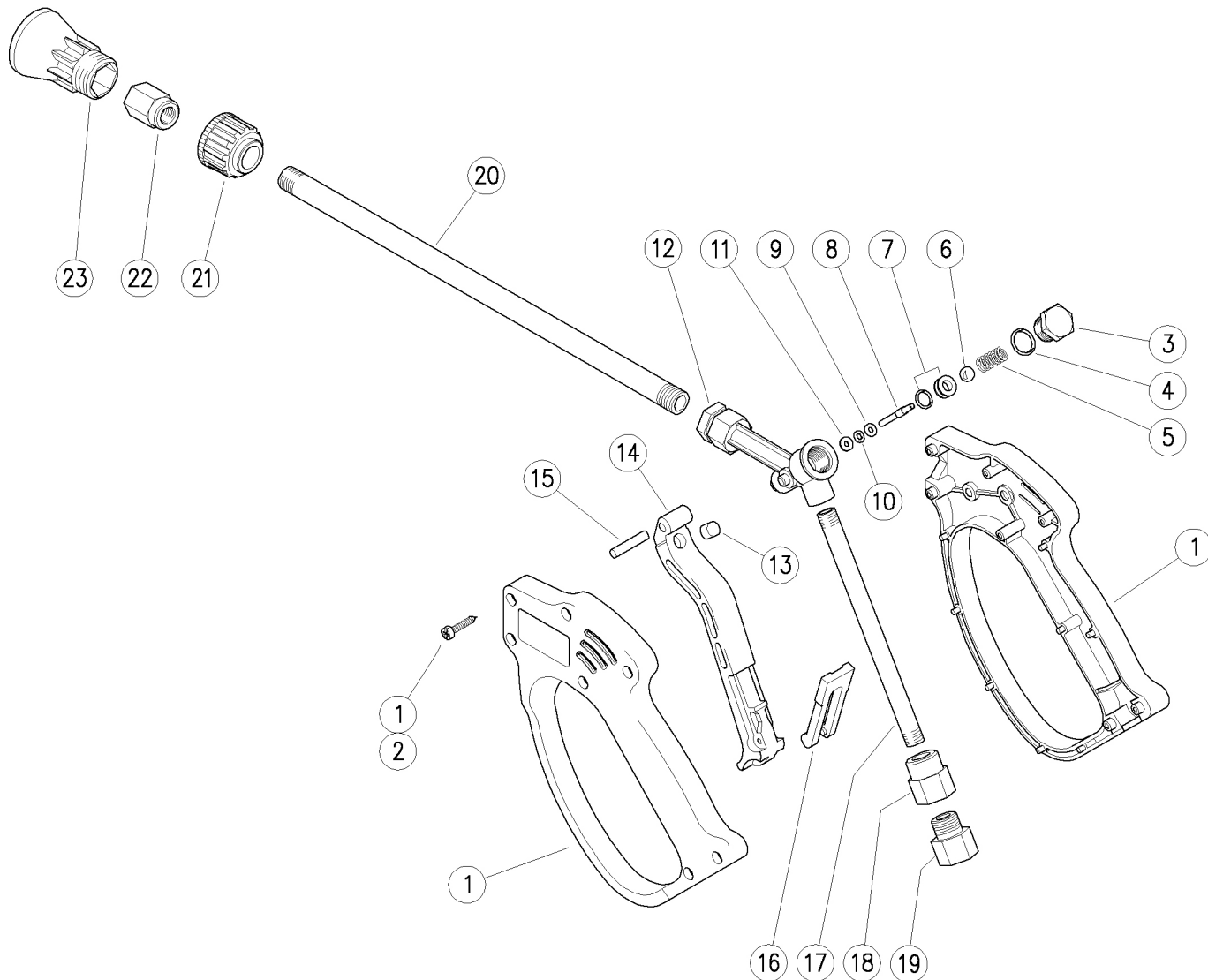
Pos.	P/N	Description	Q.ty	K1	K2	K3	K4	Pos.	P/N	Description	Q.ty	K1	K2	K3	K4
1	41.0411.84	Plug, Knob PP black	1				5	22	29.0393.66	Tube, 35x560 mm (1)	1				1
2	11.4589.10	Hex. locknut, M8	10				10	23	29.0366.81	Brake T52	1				3
3	14.3572.00	Washer, 8,4x21x1,5 mm	1				10	24	29.0365.61	Flange, 45x21mm	1				2
4	29.0370.84	Rotat.handle	1				2	25	16.4540.35	Handwheel, M10x30 mm M	1				3
5	29.0363.61	Crank -T52 M8x250 mm	1				1	26	16.1895.18	Screw, DIN912 M6x18 mm z.pl.	2				4
6	16.1958.16	Screw, DIN912 M8x16 mm z.pl.	1				4	27	26.1131.51	Coupling, 90° 3/8F Bsp-M22x1M Sst. (2)	1				5
7	10.1035.00	Snap ring, E 35	4				5	28	26.1046.84	Bushing, 10x14x7 mm Plast. (2)	1				5
8	16.1958.26	Screw, DIN912 M8x25 mm z.pl.	6				4	29	10.3109.95	O-ring, 2,4x9,3 mm Vi 70 (2)	1				25
9	29.0364.63	Upper rest-T52, black	2				2	30	10.4010.01	Back-up ring,10,2x13,9x1,2mm (2)	1				50
10	14.4076.00	Washer, 35x43x2 mm	4				10	31	26.1041.51	Pin, M12x1,25 Sst. (2)	1				5
11	29.0368.84	Flange, 80x28 mm black	2				2	32	26.1045.84	Bushing, 12x20x6 mm Plast. (2)	1				5
12	29.0361.44	Side disc -T52, Al black	2				1	33	26.1042.51	Ring nut, M22x1 Sst. (2)	1				5
13	16.2241.20	Set screw, DIN914 M10x20 mm	2				10	34	26.1101.51	Back cpl.,M12x1,25F-3/8M Bsp c/sunk Sst (2)	1				5
14	29.0369.66	Casing -T52, black	1				1	35	26.1130.00	MR-I 3/8 Bsp FM Sst. (2)	1				3
14	29.0394.66	Casing -T100, black (1)	1				1	36	12.2010.00	Elbow, brass, 3/8MF Bsp (2)	1				25
15	29.0377.51	Cylinder, 115 mm 1/2Bsp M	1				1	37	29.0376.51	Coupling, 3/8F Bsp Sst. (3,1)	1				5
16	29.0362.51	Cylinder, 113 mm 3/8Bsp MM (2)	1				1	38	26.1073.51	Coupling, 1/2F Bsp Sst. (3,1)	1				5
17	11.4541.00	Hex. nut, M6	4				10	39	26.1072.51	Pin, M15x1-19 mm Sst. (3,1)	1				5
18	14.3570.18	Washer, 6,6x18x2 mm	2				10	40	26.1074.85	Bushing, 15,5x19x4 mm PTFE (3,1)	1				5
19	11.7524.30	Hose clamp, d.22 mm	2				5	41	26.1075.85	Bushing, open 15,5x19x4 mm PTFE (3,1)	1				5
20	16.1898.25	Screw, DIN7991 M6x30mm	2				10	42	10.3092.10	O-ring, 2x15 mm Vi 70 (3,1)	1				10
21	16.1961.20	Screw, DIN912 M8x120 mm z.pl.	3				4	43	26.1078.00	SW5 Swivel,sst 1/2-3/8 Bsp FF (3,1)	1				5
21	29.0396.21	Screw, M8 z.pl. (1)	3				10	44	12.2020.00	Elbow, brass, 1/2MM Bsp (3,1)	1				25
22	29.0367.66	Tube, 35x360 mm	1				1	45	29.0175.31	Nut, 1/2F Bsp brass (3,1)	1				10

(1) 29.0390.00 (2) 29.0360.00 (3) 29.0375.00

30.6100.00 RV23 Steam gun 1/4F Bsp




Pos.	P/N	Description	Q.ty	K1	K2	K3	K4		Pos.	P/N	Description	Q.ty	K1	K2	K3	K4	
1	30.6114.24	Casing Kit -RV23 +screws	1					1	11	10.4018.00	Back-up ring, 3,2x7,5x1,2 mm	1					10
2	16.3075.51	S/tapping screw, DIN7981 3,5x18 mm Sst.	7					10	12	30.0411.51	Piston, 3 mm Sst.	1					10
3	30.6104.84	Thermo-protection coupling, plast.	1					5	13	30.4115.31	Front Plug, M10x1 brass	1					10
4	30.6106.31	Coupl. -RV23 1/4 Bsp F bras.	1					5	14	30.0412.51	Sst.parallel pin, 5x20mm	1					10
5	10.3020.10	O-ring, 1,5x10 mm Vi 70	1					10	15	30.4114.51	Parallel pin, 5x33 mm Sst.	1					10
6	30.0001.51	Spring, 1,4x7,8x13,5 mm Sst.	1					10	16	30.6107.84	Trigger -RV23 black, pierced	1					10
7	14.7448.00	Ball, 5/16" Sst.	1					10	17	30.1510.84	Safety latch, PA red	1					10
8	30.6112.20	Seat, 6x10,5 mm + O-ring, Viton	1					10	18	30.5821.51	Magnet, 5x8 mm	1					5
9	30.6105.35	Housing -RV23 1/4 BSP F brass	1					3	19	12.5022.00	Ele. switch with pilot lamp	1					5
10	10.3165.00	O-ring, 2,62x2,84 mm Vi 70	1					10	22	12.5023.04	Cable 4x0,5 360mm + magnetic sensor	1					3



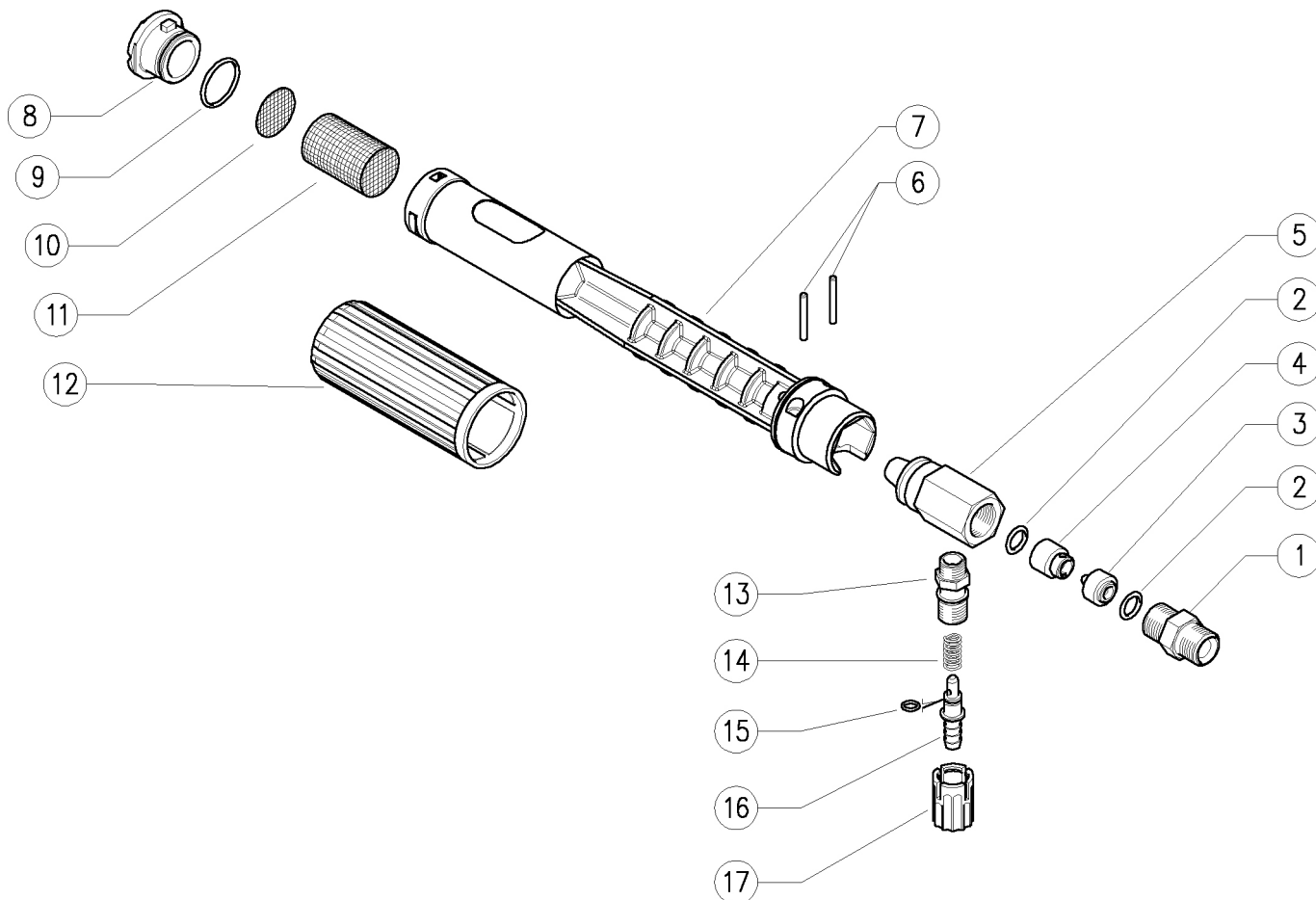
Pos.	P/N	Description	Q.ty	K1	K2	K3	K4	
1	30.1759.24	Casing-kit -RL26 +screws, Sst.	1					1
2	16.3077.00	S/tapping screw, DIN7981 3,5x18 mm	7					10
3	30.0702.31	Plug, M14x1 brass	1					10
4	10.3060.01	O-ring, 1,78x12,42 mm Ni 85	1	•				10
5	30.0703.51	Spring, 1,3x8,5x19 mm Sst.	1					10
6	14.7448.78	Ball, 5/16" ceramics	1	•				10
7	30.1708.20	Seat, 6mm Sst.+O-ring 1,78mm NBR85	1	•				10
8	30.0704.51	Piston, 3-4 mm Sst.	1	•				10
9	14.3511.00	Washer, 3,2x7x0,5 mm sst.	1	•				10
10	10.3165.00	O-ring, 2,62x2,84 mm Vi 70	1	•				10
11	10.4018.00	Back-up ring, 3,2x7,5x1,2 mm	1	•				10
12	30.1700.35	Central housing -RL26, 1/4F Bsp brass	1					5

Pos.	P/N	Description	Q.ty	K1	K2	K3	K4	
13	30.0675.84	Stop pin, 8x7,1mm PA	1					10
14	30.1704.84	Trigger -RL26, PA black	1					10
15	30.0509.31	Parallel pin, 5x24,5 mm brass	1					10
16	30.1516.84	Safety latch, black	1					10
17	30.0706.56	Tube, 1/8Bsp MM Sst.	1					10
18	30.1512.31	Coupl., 1/8F-3/8F Bsp brass	1					5
19	26.0036.31	Coupling, 3/8 M-1/4 F Bsp brass	1					10
20	40.7711.56	Tube,Sst. 700mm straight. 1/4MM Bsp	1					50
21	40.0003.84	Ring nut, 24TpN3 PA black	1					10
22	40.0007.51	Nozzle holder, 1/4F Bsp-1/4F Npt Sst.	1					10
23	40.0004.85	Nozzle protection, TPEs black	1					10

Kit	P/N	Description	
K1	30.1709.24	Spares Kit - RL26+ceramic ball, 8x1pcs.	1

25.1860.00 LS10 foamer 1/4F Bsp-1,5mm nzl.

25.1860.15 LS10 foamer 3/8M Bsp-1,5mm nzl.



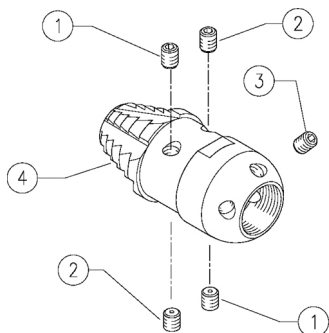
Pos.	P/N	Description	Q.ty	K1	K2	K3	K4	
1	29.0825.31	Nipple, 3/8M-1/4F Bsp brass (1)	1					5
1	13.5024.31	Nipple, brass 3/8MM Bsp (2)	1					25
2	10.3174.00	O-ring, 2,62x9,93 mm	2	•				10
3	29.0806.51	Nozzle -LS10, 1,5 mm Sst.	1	•				5
4	29.0807.51	Counter-nozzle, Sst.	1					5
5	25.1837.31	Injector Body LS10,Brass	1					3
6	30.0509.31	Parallel pin, 5x24,5 mm brass	2					10
7	25.1838.84	Casing -LS10 plastic, blue	1					5
8	25.1827.84	Front Nozzle LS10 plastic blue	1					5

Pos.	P/N	Description	Q.ty	K1	K2	K3	K4	
9	10.3072.10	O-ring, 1,78x20,35 mm Vi 70	1					10
10	29.0802.53	Diaphragm, 25x0,5 mm Sst.	1					10
11	29.0803.85	Strainer, PA	1					5
12	25.1828.84	Cover -LS10 plastic blue	1					5
13	21.0173.31	Coupling, M12x1-1/4M Bsp brass	1					10
14	21.0158.51	Spring, 0,8x7x15 mm Sst.	1					10
15	10.3043.01	O-ring, 1,78x4,48 mm Vi 70	1	•				10
16	21.0155.99	Hose barb, d.8 mm brass+o-ring	1					3
17	21.0171.84	Inject.knob, 1/4F Bsp black	1					10

Kit	P/N	Description	
K1	29.0824.24	Kit LS10 foam lance pcs.3x5	1

(1) 25.1860.00 (2) 25.1860.15

25.1246.20 RR20 Dr.cl.nozzle,rotat.,sst 1/2F Bsp

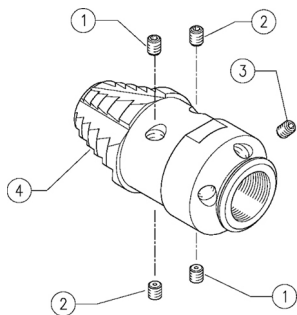


25.1246.30 RR30 Dr.cl.nozzle,rotat. sst 1/2F Bsp

Pos.	P/N	Description	Q.ty	K1	K2	K3	K4	
1	25.1257.51	Nozzle, 070 - M6 Sst. (1)	2					10
1	25.1252.51	Nozzle, 035 - M6 Sst. (2)	2					10
2	25.1251.51	Nozzle, 025 -M6 Sst. (1)	2					10
2	25.1250.51	Nozzle, 015 M6 Sst. (2)	2					10
3	25.1251.51	Nozzle, 025 -M6 Sst.	6					10

(1) 25.1246.30 (2) 25.1246.20

25.1247.30 RR30 Dr.cl.nozzle,rotat,sst 3/4F Bsp

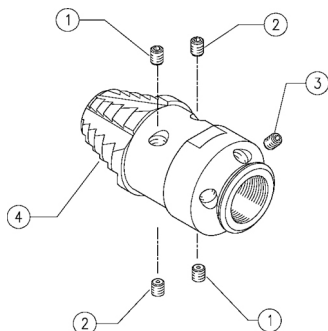


25.1247.40 RR40 Dr.cl.nozzle,rotat,sst 3/4F Bsp

Pos.	P/N	Description	Q.ty	K1	K2	K3	K4	
1	25.1257.51	Nozzle, 070 - M6 Sst.	2					10
2	25.1251.51	Nozzle, 025 -M6 Sst.	2					10
3	25.1252.51	Nozzle, 035 - M6 Sst. (1)	6					10
3	25.1251.51	Nozzle, 025 -M6 Sst. (2)	6					10

(1) 25.1247.40 (2) 25.1247.30

25.1249.50 RR50 Dr.cl.nozzle,rotat,sst 1" F Bsp



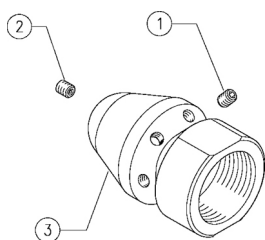
25.1249.70 RR70 Dr.cl.nozzle,rotat,sst. 1"Bsp F

Pos.	P/N	Description	Q.ty	K1	K2	K3	K4	
1	25.1260.51	Nozzle, 10 - M6 Sst. (1)	2					10
1	25.1255.51	Nozzle, 055 - M6 Sst. (2)	2					10
2	25.1251.51	Nozzle, 025 -M6 Sst. (1)	2					10
2	25.1251.51	Nozzle, 025 -M6 Sst. (2)	2					10
3	25.1258.51	Nozzle 075 - M6 Sst. (1)	6					10
3	25.1255.51	Nozzle, 055 - M6 Sst. (2)	6					10

(1) 25.1249.70 (2) 25.1249.50

25.1239.50 RU50 Drain cl.nozzle,z.pl.1" F Bsp

25.1239.60 RU60 Drain cl.nozzle,z.pl.1" F Bsp



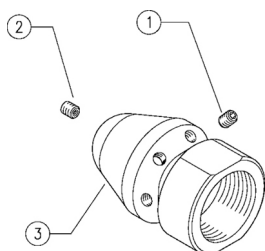
25.1239.80 RU80 Drain cl. nozzle,z.pl.1" F Bsp

Pos.	P/N	Description	Q.ty	K1	K2	K3	K4	
1	25.1263.51	Nozzle, 12 - M6 Sst. (1)	6					10
1	25.1259.51	Nozzle, 080 - M6 Sst. (2)	6					10
1	25.1257.51	Nozzle, 070 - M6 Sst. (3)	6					10
2	25.1260.51	Nozzle, 10 - M6 Sst. (1)	1					10
2	25.1262.51	Nozzle, 2,25 mm M6 Sst. (2)	1					10
2	25.1257.51	Nozzle, 070 - M6 Sst. (3)	1					10

(1) 25.1239.80 (2) 25.1239.60 (3) 25.1239.50

25.1237.30 RU30 Drain cl.nozzle,nick.pl. 3/4Bsp F

25.1237.40 RU40 Drain cl.nozzle,nick.pl. 3/4Bsp F



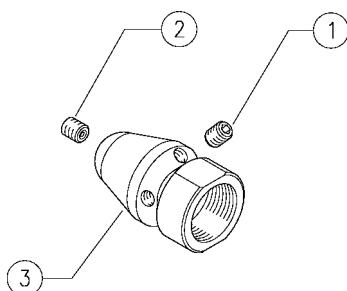
25.1237.50 RU50 Drain cl. nozzle,ni.pl. 3/4Bsp F

25.1237.60 RU60 Drain cl.nozzle,nick.pl. 3/4Bsp F

Pos.	P/N	Description	Q.ty	K1	K2	K3	K4	
1	25.1259.51	Nozzle, 080 - M6 Sst. (1)	6					10
1	25.1257.51	Nozzle, 070 - M6 Sst. (2)	6					10
1	25.1255.51	Nozzle, 055 - M6 Sst. (3)	6					10
1	25.1252.51	Nozzle, 035 - M6 Sst. (4)	6					10
2	25.1262.51	Nozzle, 2,25 mm M6 Sst. (1)	1					10
2	25.1257.51	Nozzle, 070 - M6 Sst. (2)	1					10
2	25.1255.51	Nozzle, 055 - M6 Sst. (3)	1					10
2	25.1255.51	Nozzle, 055 - M6 Sst. (4)	1					10

(1) 25.1237.60 (2) 25.1237.50 (3) 25.1237.40 (4) 25.1237.30

25.1236.20 RU20 Drain cl.nozzle,nick.pl.1/2Bsp F



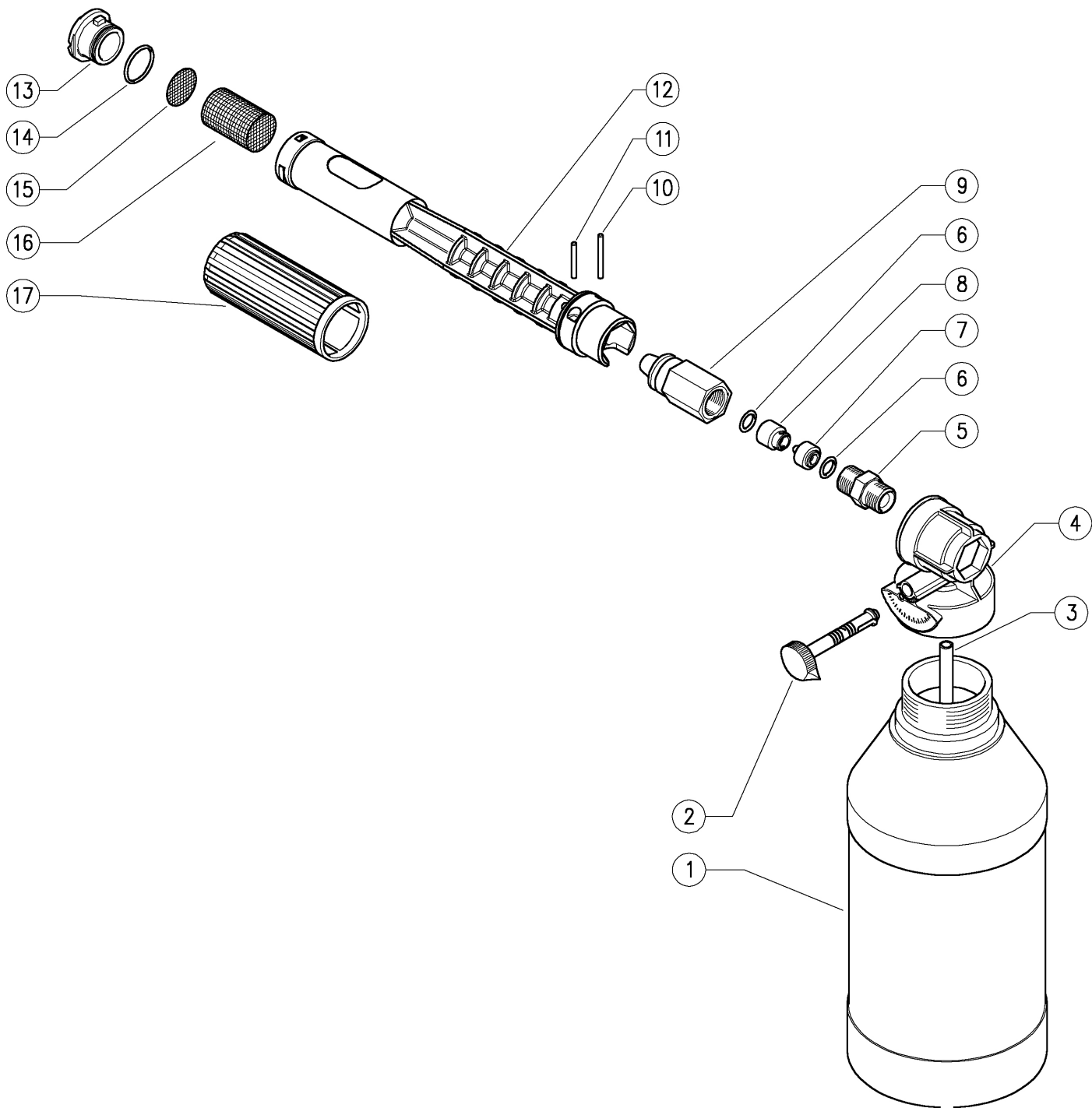
25.1236.30 RU30 Drain cl.nozzle,nick.pl.1/2Bsp F

Pos.	P/N	Description	Q.ty	K1	K2	K3	K4	
1	25.1255.51	Nozzle, 055 - M6 Sst. (1)	5					10
1	25.1252.51	Nozzle, 035 - M6 Sst. (2)	5					10
2	25.1251.51	Nozzle, 025 -M6 Sst. (1)	1					10
2	25.1251.51	Nozzle, 025 -M6 Sst. (2)	1					10

(1) 25.1236.30 (2) 25.1236.20

25.1865.15 LS10 foamer 3/8M Bsp-1,5mm nzl+1L tank

25.1868.15 LS10 foamer 3/8M Bsp-1,5mm nzl+2L tank

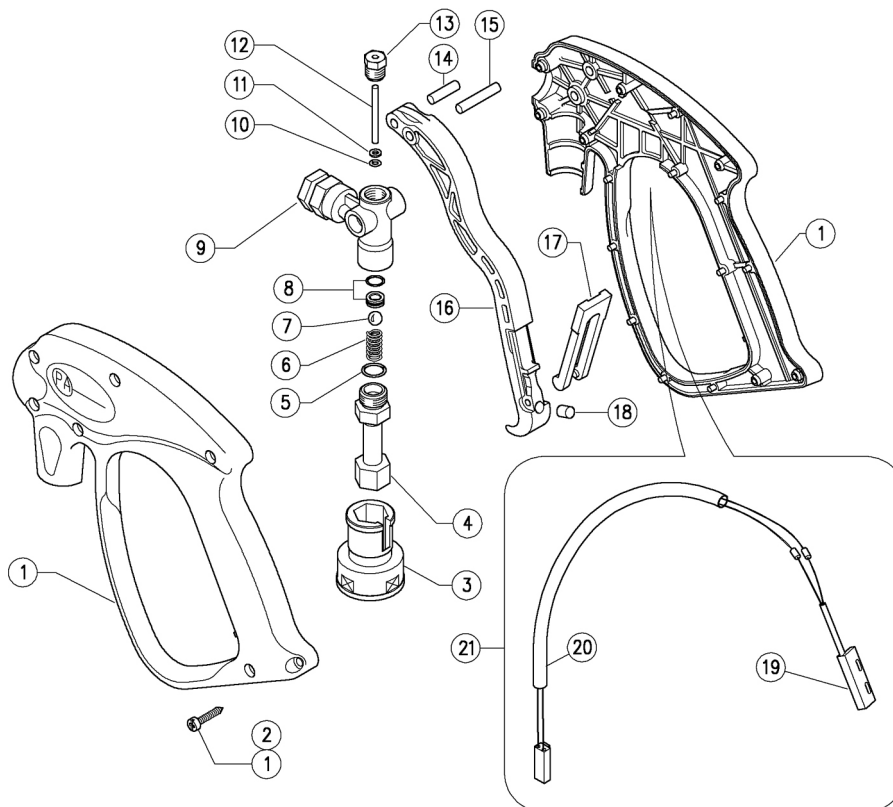


Pos.	P/N	Description	Q.ty	K1	K2	K3	K4	
1	14.6507.00	Tank,L.2,0 round-45 mm inlet (1)	1					10
1	14.6506.00	Tank,L.1,0 round-45mm inlet (2)	1					10
2	25.1817.84	Detergent Adjusting Pin	1					5
3	29.0852.85	Hose, 6x9x270 mm PVC transp. (1)	1					10
3	29.0822.85	Hose, 6x9x230mm PVC transp. (2)	1					10
4	25.1816.84	Tank holder	1					5
5	13.5024.31	Nipple, brass 3/8MM Bsp	1					25
6	10.3174.00	O-ring, 2,62x9,93 mm	2					10
7	29.0806.51	Nozzle -LS10, 1,5 mm Sst.	1					5
8	29.0807.51	Counter-nozzle, Sst.	1					5

Pos.	P/N	Description	Q.ty	K1	K2	K3	K4	
9	25.1839.31	LS 10 Injector body	1					3
10	30.6416.31	Parallel pin, 5x34 mm brass	1					5
11	30.0509.31	Parallel pin, 5x24,5 mm brass	1					10
12	25.1838.84	Casing -LS10 plastic, blue	1					5
13	25.1827.84	Front Nozzle LS10 plastic blue	1					5
14	10.3072.10	O-ring, 1,78x20,35 mm Vi 70	1					10
15	29.0802.53	Diaphragm, 25x0,5 mm Sst.	1					10
16	29.0803.85	Strainer, PA	1					5
17	25.1828.84	Cover -LS10 plastic blue	1					5

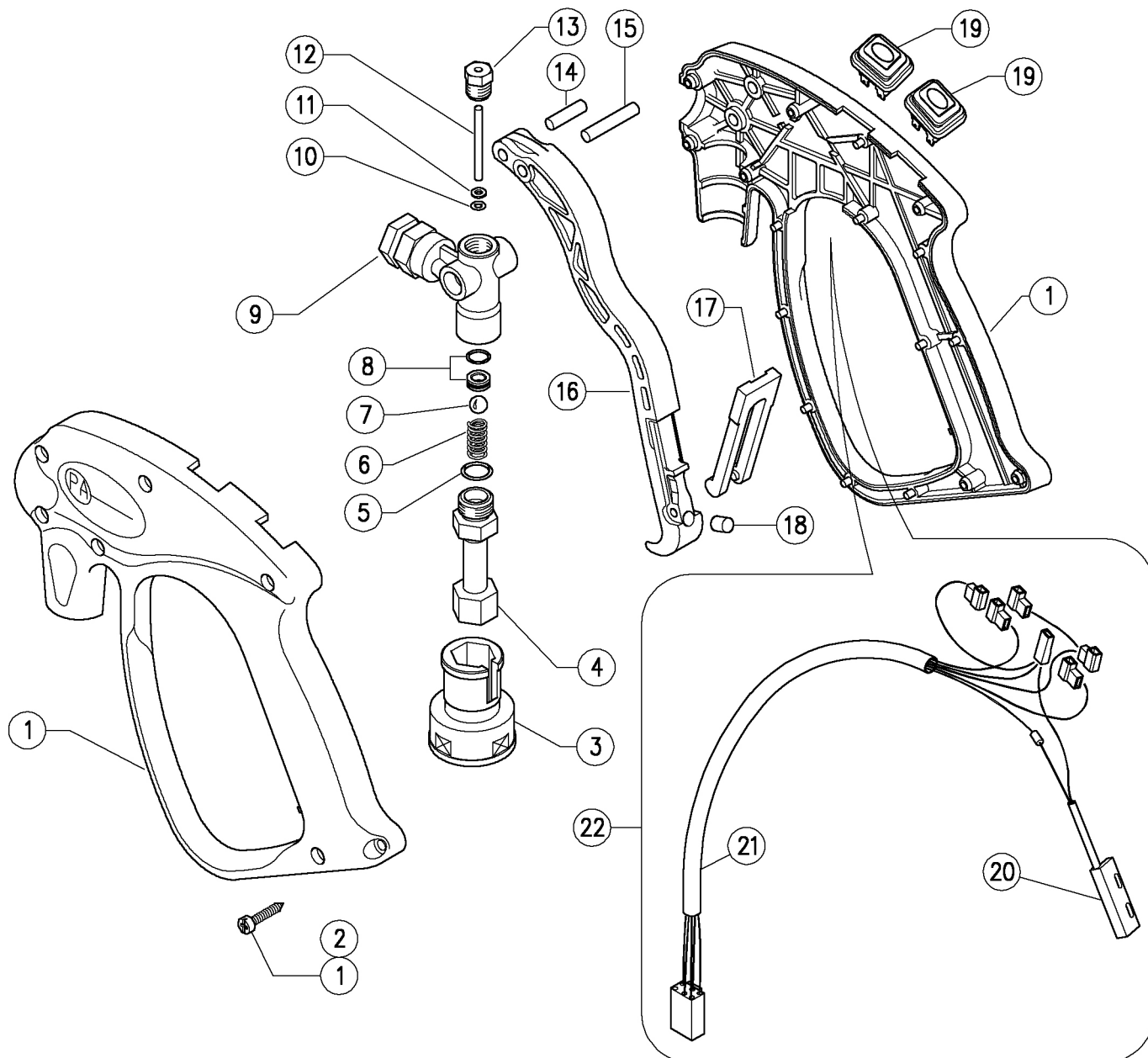
(1) 25.1868.15 (2) 25.1865.15

30.6030.00 RV 23 Steam gun 1/4F Bsp + 1 magnet.



Pos.	P/N	Description	Q.ty	K1	K2	K3	K4		Pos.	P/N	Description	Q.ty	K1	K2	K3	K4	
1	30.6033.24	Casing-Kit RV23 +screws	1					1	11	10.4018.00	Back-up ring, 3,2x7,5x1,2 mm	1					10
2	16.3075.51	S/tapping screw, DIN7981 3,5x18 mm Sst.	7					10	12	30.0411.51	Piston, 3 mm Sst.	1					10
3	30.6104.84	Thermo-protection coupling, plast.	1					5	13	30.4115.31	Front Plug, M10x1 brass	1					10
4	30.6106.31	Coupl. -RV23 1/4 Bsp F bras.	1					5	14	30.0412.51	Sst.parallel pin, 5x20mm	1					10
5	10.3020.10	O-ring, 1,5x10 mm Vi 70	1					10	15	30.4114.51	Parallel pin, 5x33 mm Sst.	1					10
6	30.0001.51	Spring, 1,4x7,8x13,5 mm Sst.	1					10	16	30.6107.84	Trigger -RV23 black, pierced	1					10
7	14.7448.00	Ball, 5/16" Sst.	1					10	17	30.1510.84	Safety latch, PA red	1					10
8	30.6112.20	Seat, 6x10,5 mm + O-ring, Viton	1					10	18	30.5821.51	Magnet, 5x8 mm	1					5
9	30.6105.35	Housing -RV23 1/4 BSP F brass	1					3	21	12.5024.02	Cable 2x0,5 + case + sensor	1					3
10	10.3165.00	O-ring, 2,62x2,84 mm Vi 70	1					10									

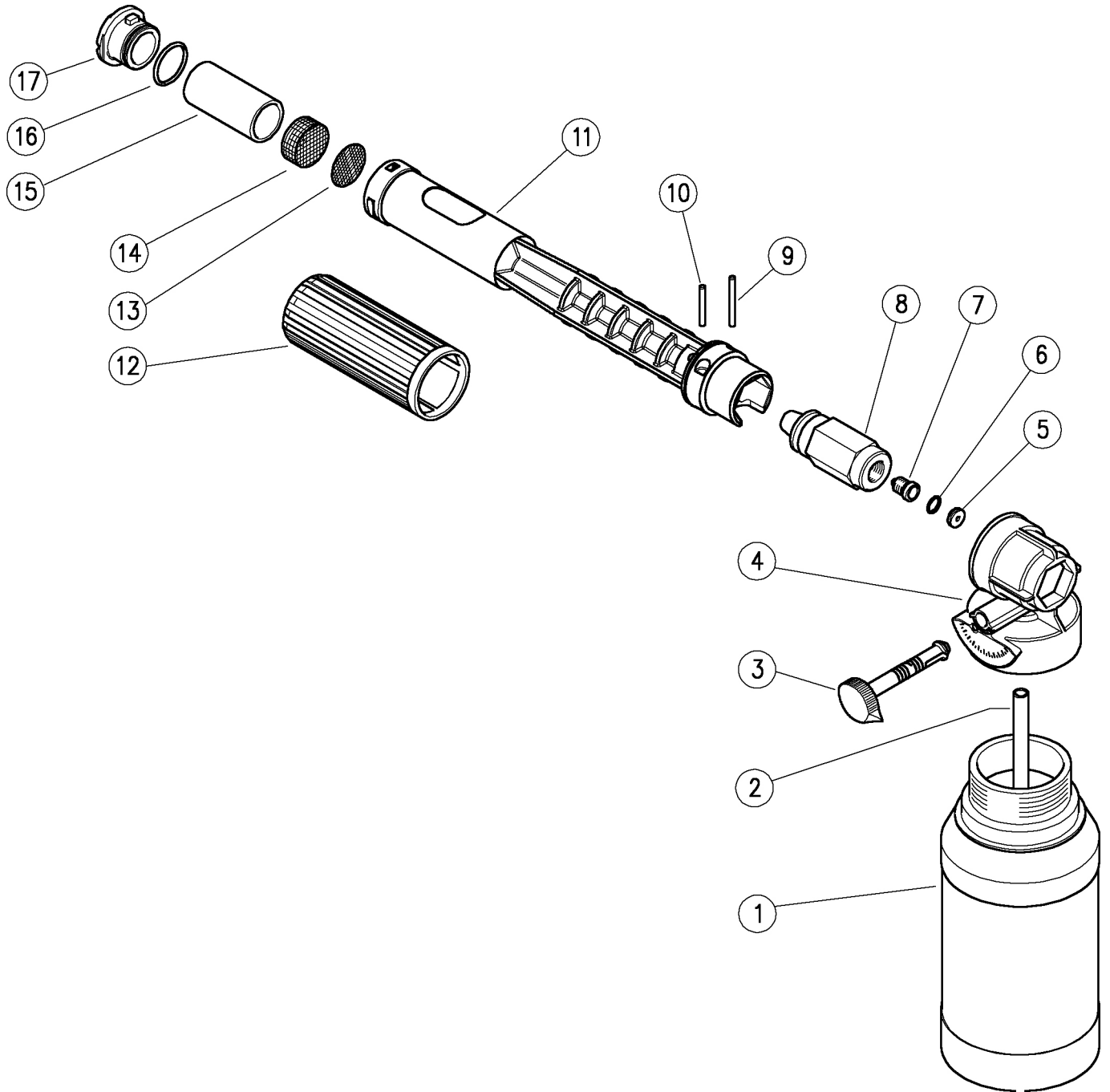
30.6150.00 RV 23 Steam gun 1/4F Bsp



Pos.	P/N	Description	Q.ty	K1	K2	K3	K4	Pos.	P/N	Description	Q.ty	K1	K2	K3	K4
1	30.6154.24	Casing Kit -RV23 +screws	1				1	11	10.4018.00	Back-up ring, 3,2x7,5x1,2 mm	1				10
2	16.3075.51	S/tapping screw, DIN7981 3,5x18 mm Sst.	7				10	12	30.0411.51	Piston, 3 mm Sst.	1				10
3	30.6104.84	Thermo-protection coupling, plast.	1				5	13	30.4115.31	Front Plug, M10x1 brass	1				10
4	30.6106.31	Coupl. -RV23 1/4 Bsp F bras.	1				5	14	30.0412.51	Sst.parallel pin, 5x20mm	1				10
5	10.3020.10	O-ring, 1,5x10 mm Vi 70	1				10	15	30.4114.51	Parallel pin, 5x33 mm Sst.	1				10
6	30.0001.51	Spring, 1,4x7,8x13,5 mm Sst.	1				10	16	30.6107.84	Trigger -RV23 black, pierced	1				10
7	14.7448.00	Ball, 5/16" Sst.	1				10	17	30.1510.84	Safety latch, PA red	1				10
8	30.6112.20	Seat, 6x10,5 mm + O-ring, Viton	1				10	18	30.5821.51	Magnet, 5x8 mm	1				5
9	30.6105.35	Housing -RV23 1/4 BSP F brass	1				3	19	12.5022.00	Ele. switch with pilot lamp	2				5
10	10.3165.00	O-ring, 2,62x2,84 mm Vi 70	1				10	22	12.5025.05	Cable 5x0,5 + case + sensor	1				3

25.1840.15 LS12 Foamer 1,5mm+1L tank
 25.1840.21 LS12 Foamer 2,1mm+1L tank

25.1842.15 LS12 Foamer 1,5mm+2L tank



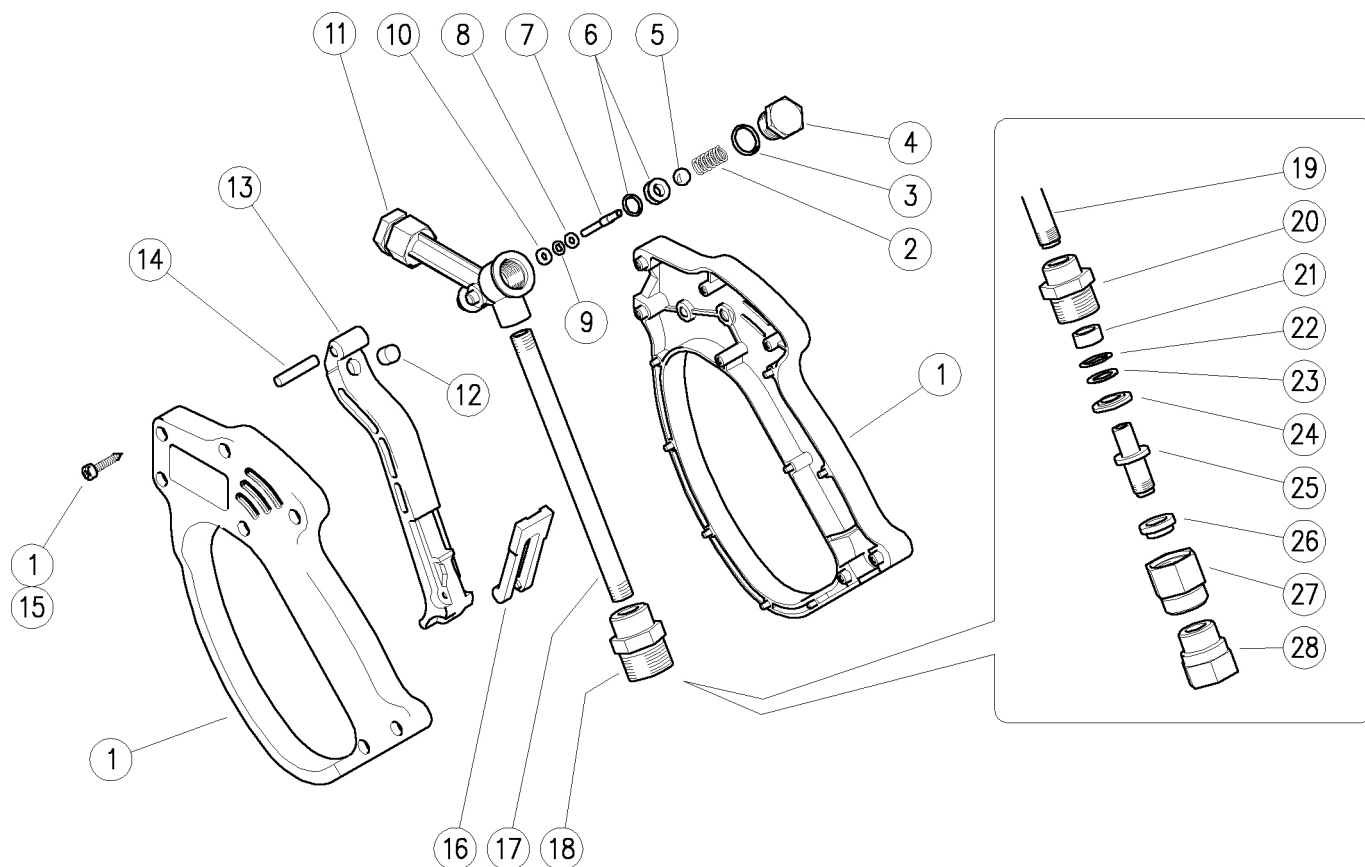
Pos.	P/N	Description	Q.ty	K1	K2	K3	K4	
1	14.6506.00	Tank,L.1,0 round-45mm inlet	1					10
1	14.6507.00	Tank,L.2,0 round-45 mm inlet (1)	1					10
2	29.0822.85	Hose, 6x9x230mm PVC transp.	1					10
2	29.0852.85	Hose, 6x9x270 mm PVC transp. (1)	1					10
3	25.1817.84	Detergent Adjusting Pin	1					5
4	25.1816.84	Tank holder	1					5
5	25.0085.31	Nozzle insert	1					5
5	25.1811.31	Nozzle insert (2)	1					5
6	10.3003.00	O-ring, 1x8 mm	1					10
7	21.0007.51	Nozzle, M8x1 - 1,5 mm Sst.	1					10
7	21.0004.51	Nozzle, M8x1 - 2,1 mm Sst. (2)	1					10

Pos.	P/N	Description	Q.ty	K1	K2	K3	K4	
8	25.1841.31	Injector housing -LS12	1					3
9	30.6416.31	Parallel pin, 5x34 mm brass	1					5
10	30.0509.31	Parallel pin, 5x24,5 mm brass	1					10
11	25.1801.84	Lance housing -LS12	1					5
12	25.1805.84	Knob -LS12	1					5
13	29.0802.53	Diaphragm, 25x0,5 mm Sst.	1					10
14	25.1806.51	Pressed strainer,25x10mm Sst.	1					10
15	25.1831.85	Spacer ring -LS12	1					5
16	10.3072.10	O-ring, 1,78x20,35 mm VI 70	1					10
17	25.1802.84	Front nozzle -LS10-12 black	1					5

(1) 25.1842.15 (2) 25.1840.21

30.1755.00 RL26 spr.gun 3/8M-1/4F Bsp
 30.1755.30 RL26 spr.gun 3/8F-1/4F Bsp
 30.1755.50 RL26 spr.gun 3/8F-1/4F Npt

30.1755.60 RL26 spr.gun A M22-1/4F Bsp
 30.1772.00 RL26 spr.gun+sw.8 3/8F-1/4F Bsp



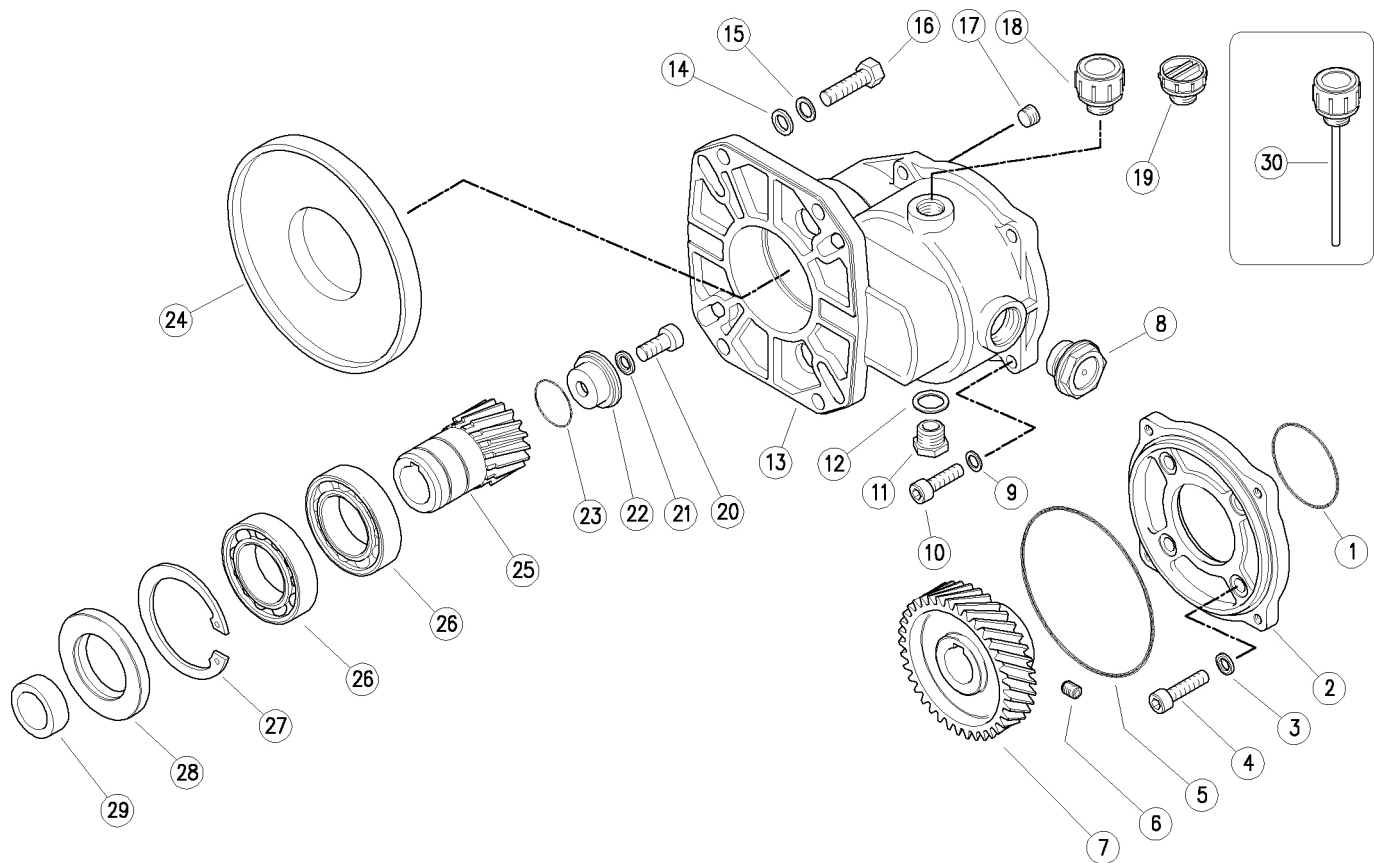
Pos.	P/N	Description	Q.ty	K1	K2	K3	K4	
1	30.1759.24	Casing-kit -RL26 +screws, Sst.	1					1
2	30.0703.51	Spring, 1,3x8,5x19 mm Sst.	1					10
3	10.3060.01	O-ring, 1,78x12,42 mm Ni 85	1	•	•			10
4	30.0702.31	Plug, M14x1 brass	1					10
5	14.7448.00	Ball, 5/16" Sst.	1	•	•			10
6	30.1708.20	Seat, 6mm Sst.+O-ring 1,78mm NBR85	1	•	•			10
7	30.0704.51	Piston, 3-4 mm Sst.	1	•	•			10
8	14.3511.00	Washer, 3,2x7x0,5 mm sst.	1	•	•			10
9	10.3165.00	O-ring, 2,62x2,84 mm Vi 70	1	•	•			10
10	10.4018.00	Back-up ring, 3,2x7,5x1,2 mm	1	•	•			10
11	30.1700.35	Central housing -RL26, 1/4F Bsp brass	1					5
11	30.1701.35	Central housing -RL26, 1/4F Npt brass (1)	1					5
12	30.0675.84	Stop pin, 8x7,1mm PA	1					10
13	30.1704.84	Trigger -RL26, PA black	1					10
14	30.0509.31	Parallel pin, 5x24,5 mm brass	1					10
15	16.3077.00	S/tapping screw, DIN7981 3,5x18 mm	7					10

Pos.	P/N	Description	Q.ty	K1	K2	K3	K4	
16	30.1510.84	Safety latch, PA red	1					10
17	30.0706.56	Tube, 1/8Bsp MM Sst.	1					10
18	30.1521.31	Coupl., 1/8F-3/8M Bsp c/sunk brass (2)	1					5
18	30.1517.31	Coupl., 1/8F Bsp-3/8F Npt brass (1)	1					10
18	30.0718.31	Coupl., 1/8F Bsp-M22x1,5M brass (3)	1					5
18	30.1512.31	Coupl., 1/8F-3/8F Bsp brass (4)	1					5
19	30.0734.56	Tube, 1/8Bsp MM 97mm Sst. (5)	1					5
20	30.0727.31	Coupl., 1/8F Bsp-M20x1M brass (5)	1					10
21	30.0728.84	Bushing, 9x13x6 mm plast. black (5)	1	•				10
22	10.3109.93	O-ring, 2,4x8,3 mm Vi 70 (5)	1	•				10
23	10.4008.50	Back-up ring, 9x13,2x1,2 mm (5)	1					10
24	30.0729.31	Spacer ring, 9x19x3 mm brass (5)	1					10
25	30.1553.31	Pin -SW, M10x1,25 M brass (5)	1					5
26	30.0730.84	Bushing, 10x17x6 mm plast. black (5)	1	•				10
27	30.0733.31	Nipple, M20x1 F brass (5)	1					5
28	30.1554.31	Coupl., M10x1,25F-3/8F Bsp brass (5)	1					5

Kit	P/N	Description	
K1	30.0736.24	Repair kit - RL26, 8x1pcs.	1
K2	30.0723.24	Spares kit -RL26+sw8 11x1pcs.	1

(1) 30.1755.50 (2) 30.1755.00 (3) 30.1755.60 (4) 30.1755.30 (5) 30.1772.00

50.0050.00 B18H Gear box 11-18 HP r.2,176:1

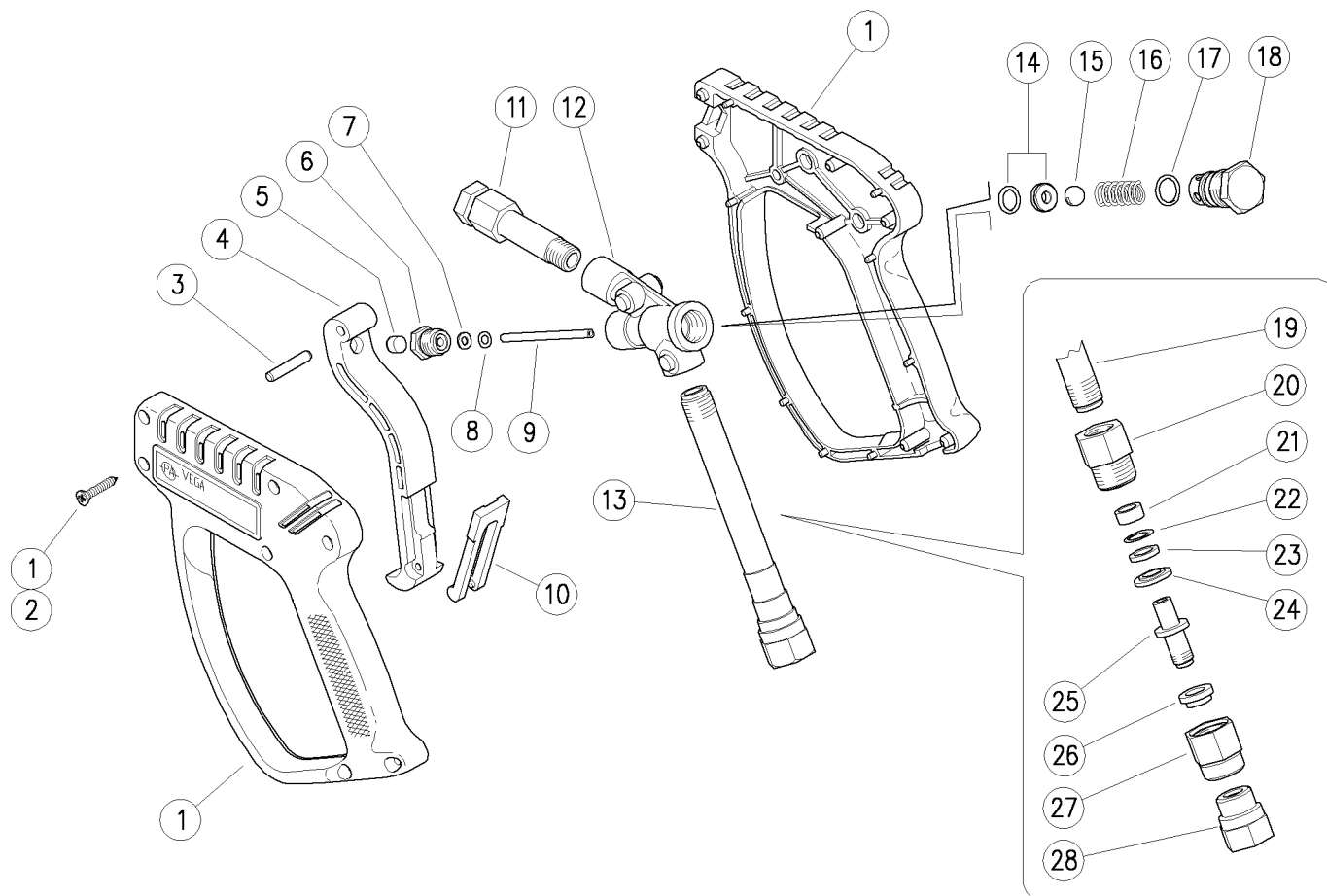


Pos.	P/N	Description	Q.ty	K1	K2	K3	K4	Pos.	P/N	Description	Q.ty	K1	K2	K3	K4
1	10.3210.56	O-ring, 2,62x56,82 mm	1				10	16	16.2014.00	Screw, DIN933 3/8"x1"3/4 UNC z.pl.	4				4
2	50.0002.44	Gearbox flange, alum.	1				1	17	28.0364.31	Plug, int.hex. 1/4 Bspt brass	1				10
3	14.4098.00	Sealing washer, d.8 mm	4				5	18	15.3726.00	Oil plug 3/8" Bsp+seal	1				5
4	16.1958.31	Screw, DIN912 M8x30 mm z.pl.	4				4	19	15.3725.00	Plug, 3/8" Bsp plast.	1				5
5	10.3211.11	O-ring, 2,62x113,92 mm	1				10	20	16.2013.00	ScREW, DIN912 3/8"x1"UNF z.pl.	1				4
6	16.2223.00	Set screw, DIN916 M8x10 mm	1				10	21	14.4099.00	Sealing washer d.10 mm	1				5
7	50.0003.65	Ring gear, Z.37 d.24mm	1				1	22	50.0052.61	Washer 35 mm	1				4
8	15.3734.00	See-through oil plug 3/4" Bsp+seal	1				5	23	10.3029.00	O-ring, 1,5 x 32 mm Ni 70	1				10
9	14.3652.00	Safet. washer, 8,4x13x0,8 mm	4				10	24	50.0054.41	Gearbox flange, alum. B18H	1				1
10	16.1958.26	Screw, DIN912 M8x25 mm z.pl.	4				4	25	50.0004.65	Pinion, Z.17 D.1" (25,4mm)	1				1
11	60.0028.31	Plug,brass 3/8 Bsp,hex.19	1				25	26	11.4440.68	Ball-bearing, 40x68x15 mm	2				2
12	14.4042.00	Washer, 16,7x22x1,5 mm alu.	1				25	27	10.1072.00	Snap ring, I 72	1				5
13	50.0051.44	Gearbox B18H al.casing	1				1	28	10.2040.72	Seal ring, 40x72x7 mm	1				3
14	14.3798.00	Washer, 10,5x17x2 mm	4				10	29	50.0053.61	Spacer Ring, 25 x 35 mm	1				4
15	14.3653.00	Safet. washer, 10,5x16x1 mm	4				10	30	15.3728.00	Oil plug +dipstick **	1				3

** On request

30.2055.00 Vega weep spray gun 3/8-1/4 Bsp FF
30.2055.50 Vega weep.gun 3/8F-1/4F Npt

30.2064.00 Vega weep gun +sw.8 3/8-1/4Bsp FF



Pos.	P/N	Description	Q.ty	K1	K2	K3	K4
1	30.2026.24	Casing-kit -VEGA +screws	1				1
2	16.3075.51	S/tapping screw, DIN7981 3,5x18 mm Sst.	7				10
3	30.2517.31	Parallel pin, 5x27,5 mm brass	1				10
4	30.2506.84	Trigger -RL31, PA black	1				10
5	30.0675.84	Stop pin, 8x7,1mm PA	1				10
6	30.4115.31	Front Plug, M10x1 brass	1				10
7	10.4018.00	Back-up ring, 3,2x7,5x1,2 mm	1	•	•		10
8	10.3165.00	O-ring, 2,62x2,84 mm Vi 70	1	•	•		10
9	30.2007.51	Piston, 3 mm Sst.	1	•	•		10
10	30.1515.84	Safety latch, PA blue	1				10
11	30.2006.35	Front tube, 1/4F Bsp 72 mm brass	1				5
11	30.2008.35	Front tube, 1/4F Npt 72 mm brass (1)	1				10
12	30.2005.35	Housing -VEGA, brass	1				3
13	30.2533.35	Back tube, 3/8F Bsp brass	1				5
13	30.2534.35	Back tube, 3/8F Npt brass (1)	1				5

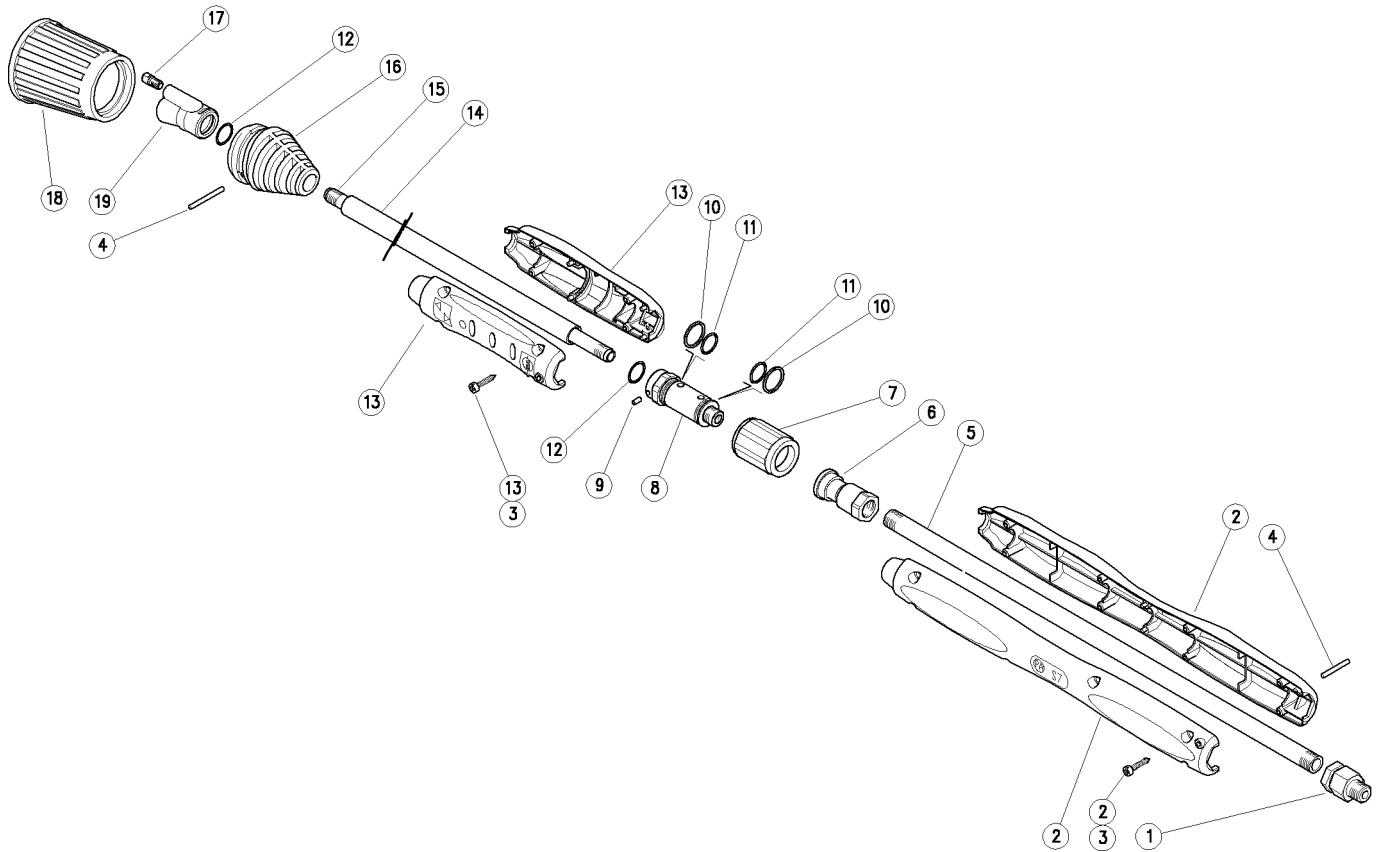
Pos.	P/N	Description	Q.ty	K1	K2	K3	K4
14	30.1104.20	Seat 6mm, weeping +O-ring	1	•	•		10
15	14.7443.10	Ball, 11/32" Sst.	1	•	•		10
16	30.2003.51	Spring, 1,6x7x22 mm Sst.	1				10
17	10.3060.01	O-ring, 1,78x12,42 mm Ni 85	1	•	•		10
18	30.2004.31	Spring holder, M18x1 brass	1				5
19	30.2532.36	Tube, M15 94 mm brass (2)	1				10
20	30.2531.31	Coupl., M20x1 M brass (2)	1	•			5
21	30.0728.84	Bushing, 9x13x6 mm plast. black (2)	1	•	•		10
22	10.3109.93	O-ring, 2,4x8,3 mm Vi 70 (2)	1	•	•		10
23	10.4008.50	Back-up ring, 9x13,2x1,2 mm (2)	1	•	•		10
24	30.0729.31	Spacer ring, 9x19x3 mm brass (2)	1	•			10
25	30.1553.31	Pin -SW, M10x1,25 M brass (2)	1	•			5
26	30.0730.84	Bushing, 10x17x6 mm plast. black (2)	1	•	•		10
27	30.0733.31	Nipple, M20x1 F brass (2)	1	•			5
28	30.3061.31	Coupl., M10x1,25F-3/8F Bsp brass (2)	1	•			5

Kit	P/N	Description	Q.ty
K1	30.1158.24	Spare kit -Vega weep 7x1 pcs	1
K2	30.9326.99	Kit -Sw8, M15F -3/8F Bsp	5
K3	30.2058.24	Spare Kit -Vega weep gun + Sw8, 11x1 pzs	1

(1) 30.2055.50 (2) 30.2064.00

41.0295.00 LDM11 doubl.lan.900mm coax.,sst

41.0315.00 LDM11 doubl.lan.1100mm coax.,sst



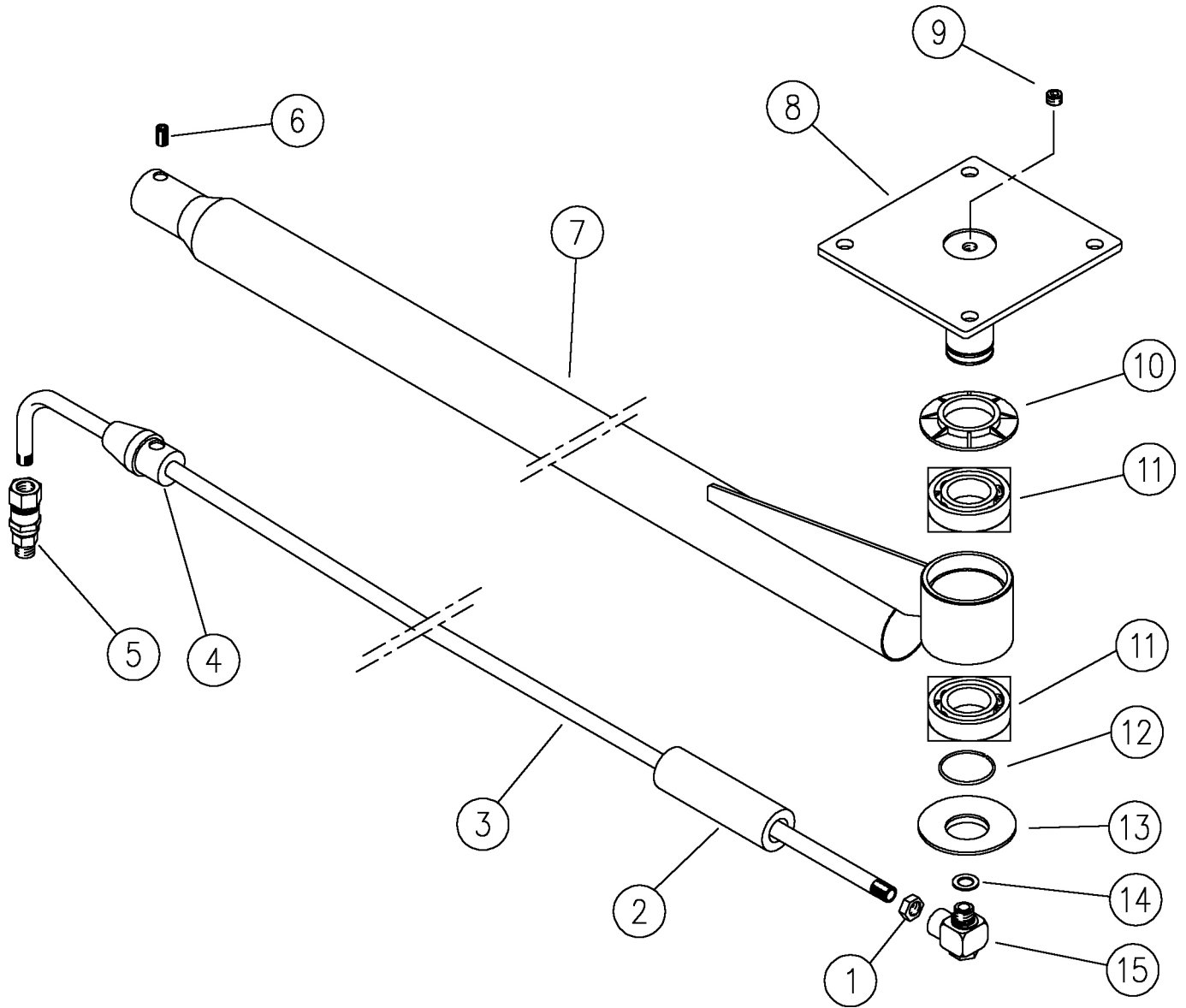
Pos.	P/N	Description	Q.ty	K1	K2	K3	K4	
1	40.5002.61	Reduct, z.pl. 1/4MF Bsp	1					10
2	40.4003.24	Casing-kit -S7 +screws	1					1
3	16.3077.00	S/tapping screw, DIN7981 3,5x18 mm	10					10
4	15.1046.00	Parallel pin, 3x30 mm Sst.	2					10
5	30.0814.66	Tube, 1/4F Bsp 330 mm z.pl.	1					10
6	41.0219.31	Inlet Coupling 1/4F Bsp brass	1					5
7	41.0218.31	External Body, Brass	1					5
8	41.0217.31	Outlet Coupling M12, Brass	1					5
9	41.0216.51	Parallel pin, 3x6 mm sst.	1					5
10	10.4040.00	Back-up ring, 16,7x19,5x1,2 mm	2					10
11	10.3066.10	O-ring, 1,78x15,6 mm Vi 70	2					10

Pos.	P/N	Description	Q.ty	K1	K2	K3	K4	
12	10.3064.01	O-ring, 1,78x14 mm Ni 85	2					10
13	41.0221.24	Spares kit - LD11 - semi-shell + screws	1					1
14	41.0209.56	Tube, d.15x405 mm Sst. (1)	1					5
14	41.0222.56	Tube, d.15x605 mm Sst. (2)	1					5
15	41.0202.56	Tube, 1/8Bsp MM 440mm Sst. (1)	1					10
15	41.0211.56	Tube, 1/8Bsp MM 640mm Sst. (2)	1					10
16	41.0212.84	Nozzle holder case -LD11, PA black	1					5
17	41.0208.31	LP-nozzle 40.30, M6 M brass	1					10
18	41.0418.81	Nozzle protection -LD, TPES black	1					10
19	41.0201.35	Nzl hold.housing -LD11,1/4F Npt-M6F brs.	1					3

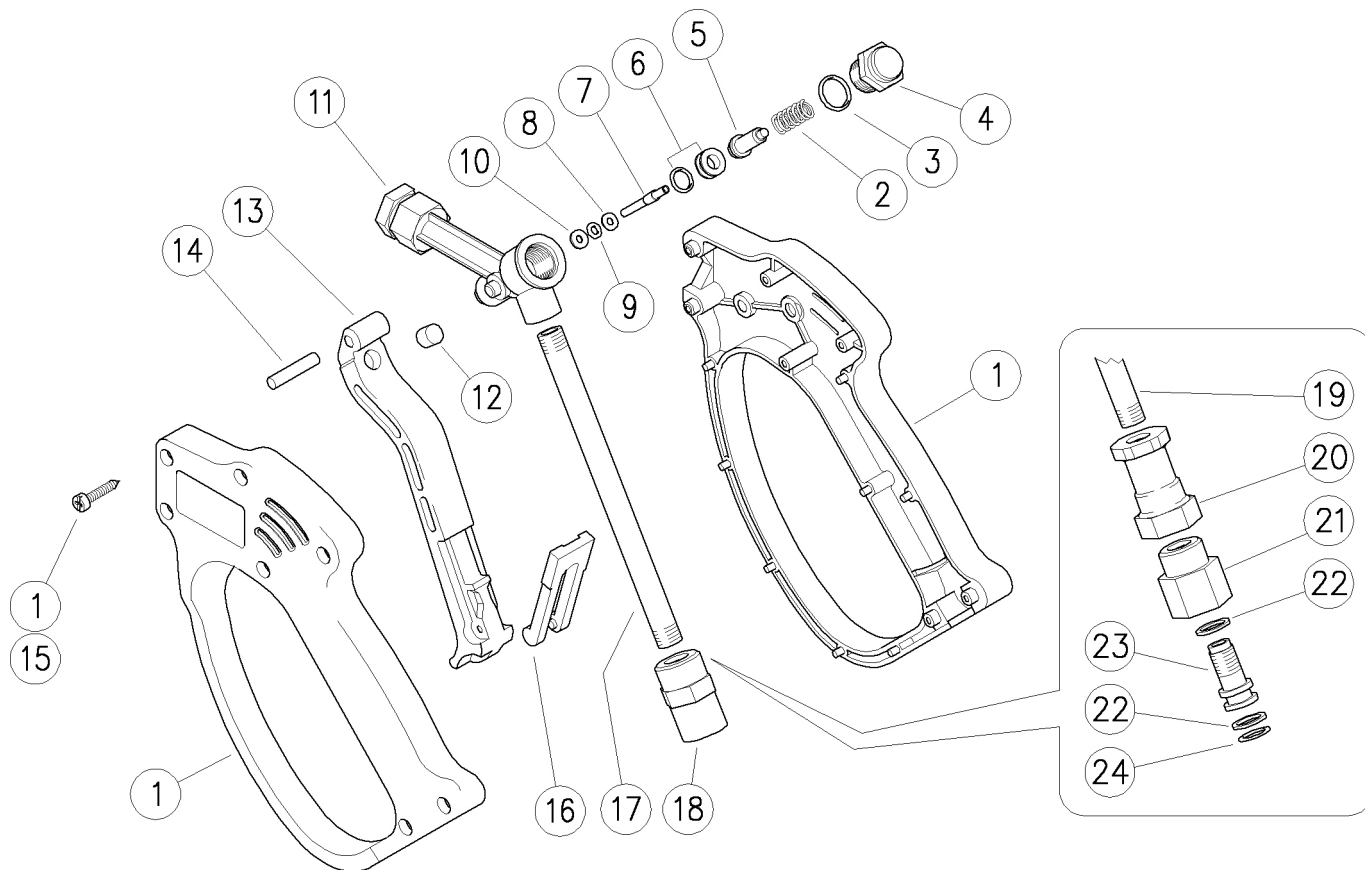
Kit	P/N	Description	
K1	41.0293.24	Spares kit -LD M7, 5x1pcs.	1

(1) 41.0295.00 (2) 41.0315.00

28.3530.00 BTZ 1650 Ceiling Boom 1650mm straight,



Pos.	P/N	Description	Q.ty	K1	K2	K3	K4		Pos.	P/N	Description	Q.ty	K1	K2	K3	K4	
1	80.0328.51	Ring nut, 1/4F Bsp Sst.	1					5	9	28.0364.31	Plug, int.hex. 1/4 Bspt brass	1					10
2	28.3510.85	Foam hose 250mm 9-15	1					10	10	28.3001.84	Guard ring, PVC black	1					10
3	28.3533.56	Tube 1700mm G1/4 bent, stainless steel	1					5	11	11.4439.68	Ball-bearing, 40x68x15 mm - 2RS1	2					2
4	28.3506.81	Tube holder d.35mm Nylon, white	1					1	12	28.3002.51	Snap ring, 2,5x36,8 mm Sst.	1					10
5	26.1200.22	SW25 Swivel,ball-bear. 3/8M-1/4F Bsp	1					5	13	28.3004.84	Guard ring, PVC black	1					10
6	16.2234.00	Set screw, DIN916 M10x12mm zinc-pl.	1					10	14	14.3813.22	Washer, 13,2x22x1,5 mm alu.	1					25
7	28.3531.21	Boom -BTZ 1560mm znc.plated white	1					1	15	26.1300.20	SW90 Swivel 90°, sst, 1/4 MF Bsp	1					5
8	28.3507.21	Ceiling mount pin, zinc-pl. white	1					1									



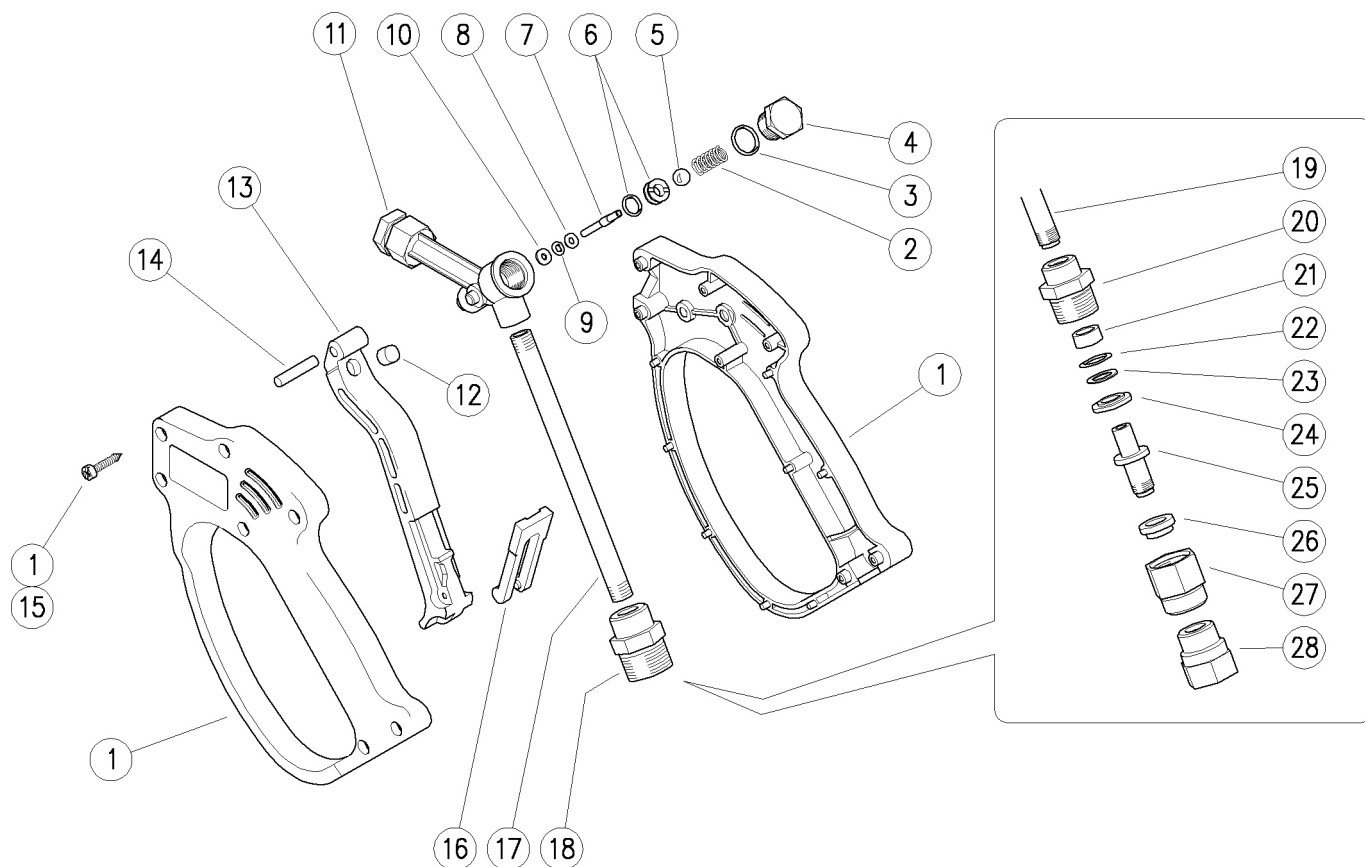
Pos.	P/N	Description	Q.ty	K1	K2	K3	K4		Pos.	P/N	Description	Q.ty	K1	K2	K3	K4	
1	30.1759.24	Casing-kit -RL26 +screws, Sst.	1					1	13	30.1704.84	Trigger -RL26, PA black	1					10
2	30.1764.51	Spring, 1,3x9,1x24 mm Sst.	1					25	14	30.0509.31	Parallel pin, 5x24,5 mm brass	1					10
3	10.3060.01	O-ring, 1,78x12,42 mm Ni 85	1	•				10	15	16.3075.51	S/tapping screw, DIN7981 3,5x18 mm Sst.	7					10
4	30.1763.31	Plug, M14x1 brass	1					10	16	30.2599.84	Safety latch, PA green	1					10
5	30.1762.21	Shutter, complete	1	•				5	17	30.0706.56	Tube, 1/8Bsp MM Sst.	1					10
6	30.1708.20	Seat, 6mm Sst.+O-ring 1,78mm NBR85	1	•				10	18	30.1512.31	Coupl., 1/8F-3/8F Bsp brass	1					5
7	30.0704.51	Piston, 3-4 mm Sst.	1	•				10	19	30.1731.56	Tube, 1/8Bsp MM 116 mm Sst. (1)	1					5
8	14.3511.00	Washer, 3,2x7x0,5 mm sst.	1	•				10	20	30.1733.31	Adapt., M10x1F-1/8F Bsp brass (1)	1					5
9	10.3165.00	O-ring, 2,62x2,84 mm Vi 70	1	•				10	21	30.2019.31	Coupl., 3/8F Bsp brass (1)	1					5
10	10.4018.00	Back-up ring, 3,2x7,5x1,2 mm	1	•				10	22	10.4010.01	Back-up ring,10,2x13,9x1,2mm (1)	2					50
11	30.1700.35	Central housing -RL26, 1/4F Bsp brass	1					5	23	30.1732.31	Pin -SW, M10x1 M (1)	1					5
12	30.0675.84	Stop pin, 8x7,1mm PA	1					10	24	10.3171.10	O-ring, 2,62x9,19 mm Vi 70 (1)	1					10

Kit	P/N	Description	
K1	30.1766.24	Repair kit -RL25 weep.LP, 7x1pcs.	1

(1) 30.1782.00

30.1790.00 RL26 weep.gun 3/8M-1/4F Bsp (I.1,1)
 30.1790.50 RL26 weep.gun 3/8F-1/4F Npt
 30.1792.00 RL26 weep.gun(1,1L)+sw8 3/8-1/4Bsp FF

30.1794.00 RL26 weep.gun(0,6L)+sw8 3/8-1/4Bsp FF
 30.1795.00 RL26 weep.gun 3/8M-1/4F Bsp (I.0,6)

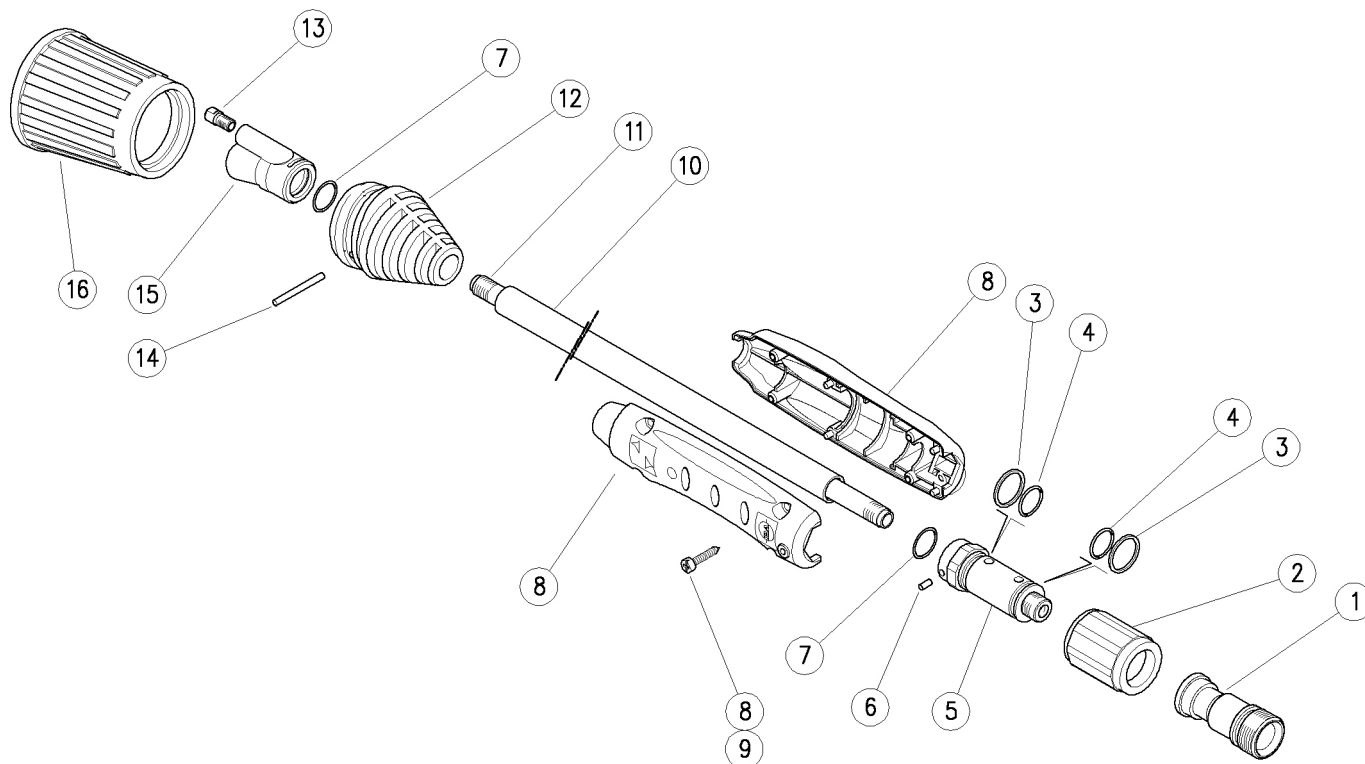


Pos.	P/N	Description	Q.ty	K1	K2	K3	K4	
1	30.1759.24	Casing-kit -RL26 +screws, Sst.	1					1
2	30.0703.51	Spring, 1,3x8,5x19 mm Sst.	1					10
3	10.3060.01	O-ring, 1,78x12,42 mm Ni 85	1	.	.			10
4	30.0702.31	Plug, M14x1 brass	1					10
5	14.7448.00	Ball, 5/16" Sst.	1	.	.			10
6	30.0716.20	Weep.seat,5,8mm+O-ring (I.1,1)	1	.				10
6	30.0710.20	Weep.seat, 6x11 mm+O-ring (I.0,6) (1)	1	.				10
7	30.0704.51	Piston, 3-4 mm Sst.	1	.	.			10
8	14.3511.00	Washer, 3,2x7x0,5 mm sst.	1	.	.			10
9	10.3165.00	O-ring, 2,62x2,84 mm Vi 70	1	.	.			10
10	10.4018.00	Back-up ring, 3,2x7,5x1,2 mm	1	.	.			10
11	30.1700.35	Central housing -RL26, 1/4F Bsp brass	1					5
11	30.1701.35	Central housing -RL26, 1/4F Npt brass (2)	1					5
12	30.0675.84	Stop pin, 8x7,1mm PA	1					10
13	30.1704.84	Trigger -RL26, PA black	1					10
14	30.0509.31	Parallel pin, 5x24,5 mm brass	1					10

Pos.	P/N	Description	Q.ty	K1	K2	K3	K4	
15	16.3075.51	S/tapping screw, DIN7981 3,5x18 mm Sst.	7					10
16	30.1515.84	Safety latch, PA blue	1					10
17	30.0706.56	Tube, 1/8Bsp MM Sst.	1					10
18	30.1521.31	Coupl., 1/8F-3/8M Bsp c/sunk brass (3)	1					5
18	30.1517.31	Coupl., 1/8F Bsp-3/8F Npt brass (2)	1					10
19	30.0734.56	Tube, 1/8Bsp MM 97mm Sst. (4)	1					5
20	30.0727.31	Coupl., 1/8F Bsp-M20x1M brass (4)	1					10
21	30.0728.84	Bushing, 9x13x6 mm plast. black (4)	1					10
22	10.3109.93	O-ring, 2,4x8,3 mm Vi 70 (4)	1					10
23	10.4008.50	Back-up ring, 9x13,2x1,2 mm (4)	1					10
24	30.0729.31	Spacer ring, 9x19x3 mm brass (4)	1					10
25	30.1553.31	Pin -SW, M10x1,25 M brass (4)	1					5
26	30.0730.84	Bushing, 10x17x6 mm plast. black (4)	1					10
27	30.0733.31	Nipple, M20x1 F brass (4)	1					5
28	30.1554.31	Coupl., M10x1,25F-3/8F Bsp brass (4)	1					5

Kit	P/N	Description	
K1	30.0725.24	Spares kit -RL26 weep, (1,1L)8x1pcs.	1
K2	30.1788.24	Spares kit -RL26 weep, (0,6L)8x1pcs.	1

(1) 30.1795.00 (2) 30.1790.50 (3) 30.1790.00 (4) 30.1792.00



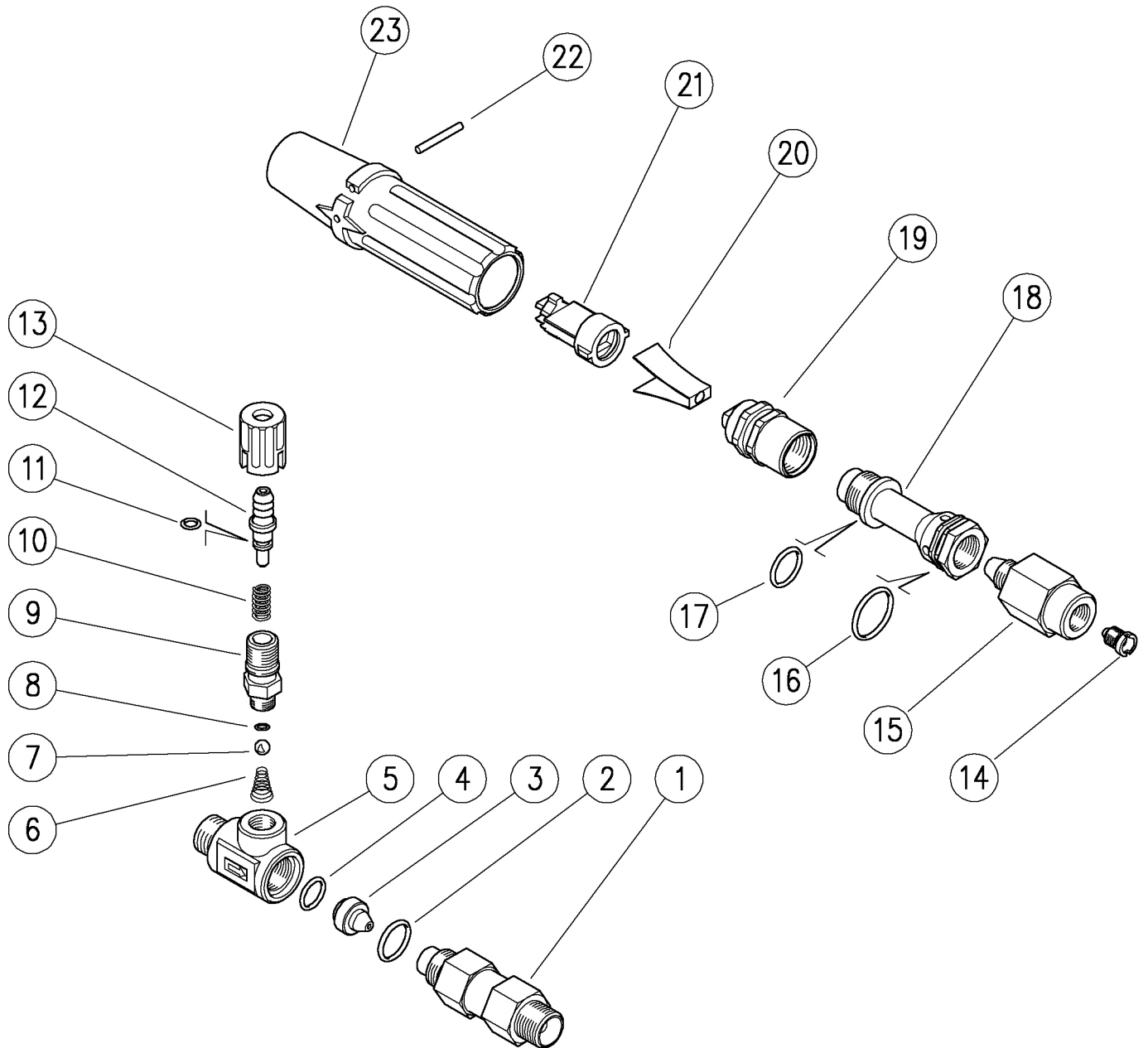
Pos.	P/N	Description	Q.ty	K1	K2	K3	K4	
1	41.0226.31	Inlet Coupling A M 22 Brass	1					5
2	41.0218.31	External Body, Brass	1					5
3	10.4040.00	Back-up ring, 16,7x19,5x1,2 mm	2					10
4	10.3066.10	O-ring, 1,78x15,6 mm Vi 70	2					10
5	41.0217.31	Outlet Coupling M12, Brass	1					5
6	41.0216.51	Parallel pin, 3x6 mm sst.	1					5
7	10.3064.01	O-ring, 1,78x14 mm Ni 85	2					10
8	41.0221.24	Spares kit - LD11 - semi-shell + screws	1					1
9	16.3077.00	S/tapping screw, DIN7981 3,5x18 mm	4					10

Pos.	P/N	Description	Q.ty	K1	K2	K3	K4	
10	41.0209.56	Tube, d.15x405 mm Sst. (1)	1					5
10	41.0222.56	Tube, d.15x605 mm Sst. (2)	1					5
11	41.0202.56	Tube, 1/8Bsp MM 440mm Sst. (1)	1					10
11	41.0211.56	Tube, 1/8Bsp MM 640mm Sst. (2)	1					10
12	41.0212.84	Nozzle holder case -LD11, PA black	1					5
13	41.0208.31	LP-nozzle 40.30, M6 M brass	1					10
14	15.1046.00	Parallel pin, 3x30 mm Sst.	1					10
16	41.0418.81	Nozzle protection -LD, TPEs black	1					10
15	41.0201.35	Nzl hold.housing -LD11,1/4F Npt-M6F brs.	1					3

Kit	P/N	Description	
K1	41.0293.24	Spares kit -LD M7, 5x1pcs.	1

(1) 41.0255.00 (2) 41.0275.00

25.1530.18 LS3 foamer extern. intake 1,8+inject. 1,2

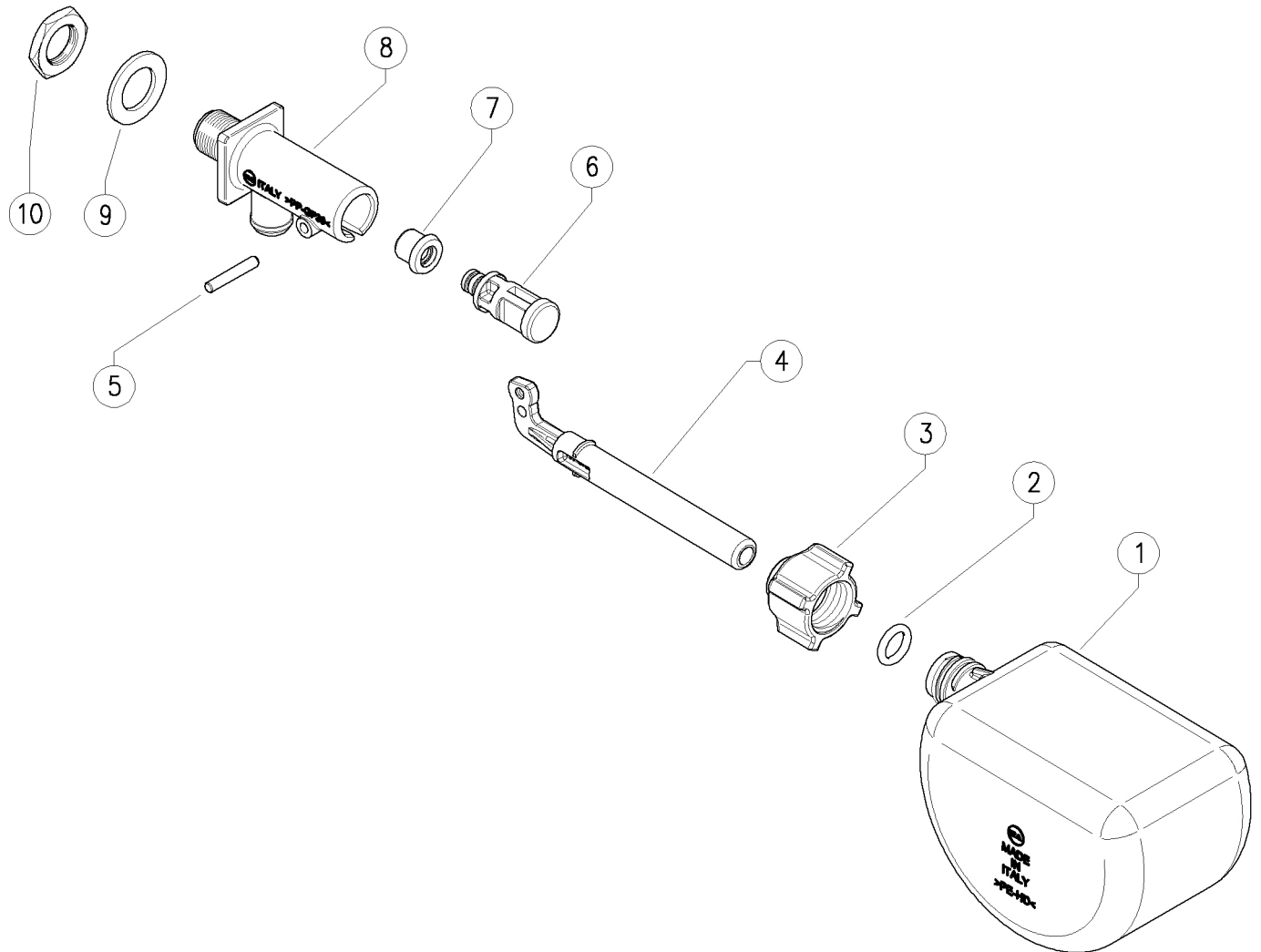


Pos.	P/N	Description	Q.ty	K1	K2	K3	K4	Pos.	P/N	Description	Q.ty	K1	K2	K3	K4
1	21.0602.31	Tapered coupling, 3/8MM Bsp	1				3	13	21.0171.84	Inject.knob, 1/4F Bsp black	1				10
2	10.3179.10	O-ring, 2,62x13,94 mm Vi 70	1				10	14	21.0212.51	Nozzle, M8x1 - 1,8 mm Sst.	1				10
3	21.0507.51	Inject.nozzle, D.15 - 1,2 mm Sst.	1				5	15	25.1531.31	Injector body	1				3
4	10.3174.10	O-ring, 2,62x9,93 mm Vi 70	1				10	16	10.3072.50	O-ring, 1,78x21,95 mm	1				10
5	21.0601.35	Inject.housing, 3/8MF Bsp brass	1				3	17	10.3066.00	O-ring, 1,78x15,6 mm	1				10
6	21.0160.51	Tapered spring, Sst. -inject.	1				10	18	25.1521.31	Front injector housing	1				3
7	14.7420.01	Ball, 7/32" Sst. Aisi 316	1				10	19	25.1522.31	Injector housing	1				3
8	10.3049.00	O-ring, 1,78x5,28 mm Vi 70	1				10	20	25.1020.53	Sst deflector	1				10
9	21.0173.31	Coupling, M12x1-1/4M Bsp brass	1				10	21	25.0952.84	Deflector housing	1				10
10	21.0158.51	Spring, 0,8x7x15 mm Sst.	1				10	22	15.1041.00	Parallel pin, 3x25 mm Sst.	1				10
11	10.3043.01	O-ring, 1,78x4,48 mm Vi 70	1				10	23	25.1018.84	Nozzle knob, black	1				10
12	21.0155.99	Hose barb, d.8 mm brass+o-ring	1				3								

29.0220.00 RG30 Plastic float valve, 3/8Bsp M

29.0220.20 RG30 Plastic float valve, 1/2Bsp M

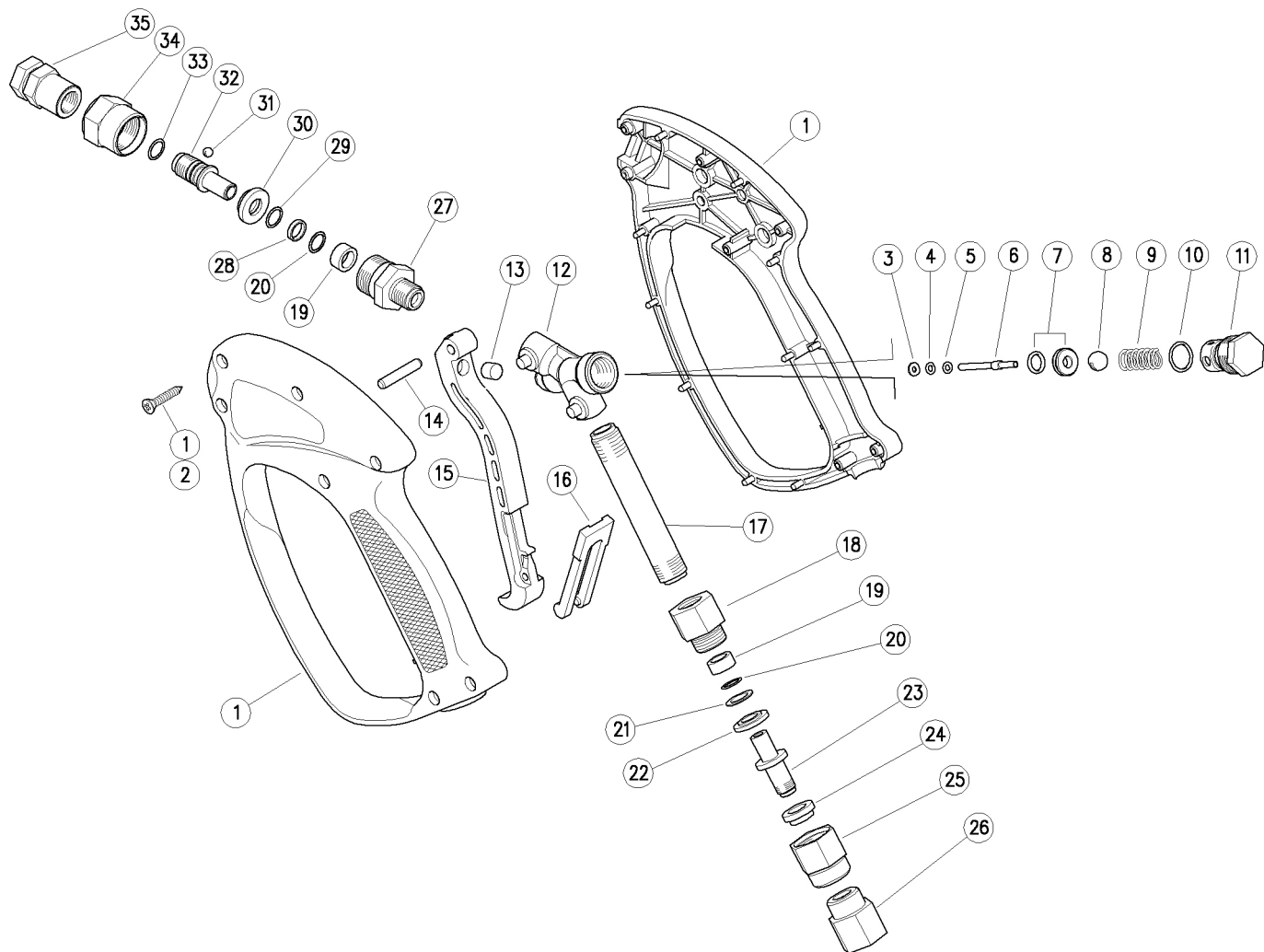
29.0220.70 RG30 Plastic float valve, 3/4Bsp M



Pos.	P/N	Description	Q.ty	K1	K2	K3	K4	
1	29.0227.84	Float body RG30	1					10
2	10.3175.00	O-ring, 2,62x10,77 mm	1					10
3	29.0226.84	Hand nut, 35 mm	1					10
4	29.0225.84	Rod RG30	1					5
5	30.1504.51	Parallel pin, 4x24 mm Sst.	1					10
6	29.0224.84	Piston RG30	1					10
7	29.0221.85	Front gasket, CR	1					5
8	29.0222.84	Float valve body 3/8 Bsp M (1)	1					5

Pos.	P/N	Description	Q.ty	K1	K2	K3	K4	
8	29.0223.84	Float valve body 1/2 Bsp M (2)	1					5
8	29.0228.84	Float valve body 3/4 Bsp M (3)	1					5
9	29.0176.81	Front seal, 17x28x2 mm NBR (1)	1					10
9	29.0177.81	Front seal, 19x30x2 mm black (2)	1					10
9	29.0189.81	Front seal, 26x36x2 mm NBR (3)	1					10
10	29.0171.31	Nut, brass, 3/8F Bsp (1)	1					50
10	29.0175.31	Nut, 1/2F Bsp brass (2)	1					10
10	29.0188.31	Nut, 3/4F Bsp brass (3)	1					10

(1) 29.0220.00 (2) 29.0220.20 (3) 29.0220.70



Pos.	P/N	Description	Q.ty	K1	K2	K3	K4	
1	30.1207.24	Casing-kit -RL37 +screws, Sst.	1					1
2	16.3075.51	S/tapping screw, DIN7981 3,5x18 mm Sst.	7					10
3	10.4018.00	Back-up ring, 3,2x7,5x1,2 mm	1	•				10
4	10.3165.00	O-ring, 2,62x2,84 mm Vi 70	1	•				10
5	14.3511.00	Washer, 3,2x7x0,5 mm sst.	1	•				10
6	30.0704.51	Piston, 3-4 mm Sst.	1	•				10
7	30.1708.20	Seat, 6mm Sst.+O-ring 1,78mm NBR85	1	•				10
8	14.7448.00	Ball, 5/16" Sst.	1	•				10
8	30.1762.21	Shutter, complete (1)	1					5
9	30.2596.51	Spring, 1,5x6,1x23 mm Sst.	1					10
9	30.1764.51	Spring, 1,3x9,1x24 mm Sst. (1)	1					25
10	10.3020.02	O-ring, 1,5x10 mm Ni 85	1	•				10
10	10.3005.00	O-ring, 1x10 mm Ni 85 (1)	1					10
11	30.2595.31	Spring plug, M16x1 brass	1					10
11	30.2614.31	Plug, M16x1 M brass (1)	1					5
12	30.1205.35	Housing -RL37, brass	1					5
13	30.0675.84	Stop pin, 8x7,1mm PA	1					10
14	30.2517.31	Parallel pin, 5x27,5 mm brass	1					10
15	30.1204.84	Trigger -RL37, PA black	1					10
16	30.1510.84	Safety latch, PA red	1					10

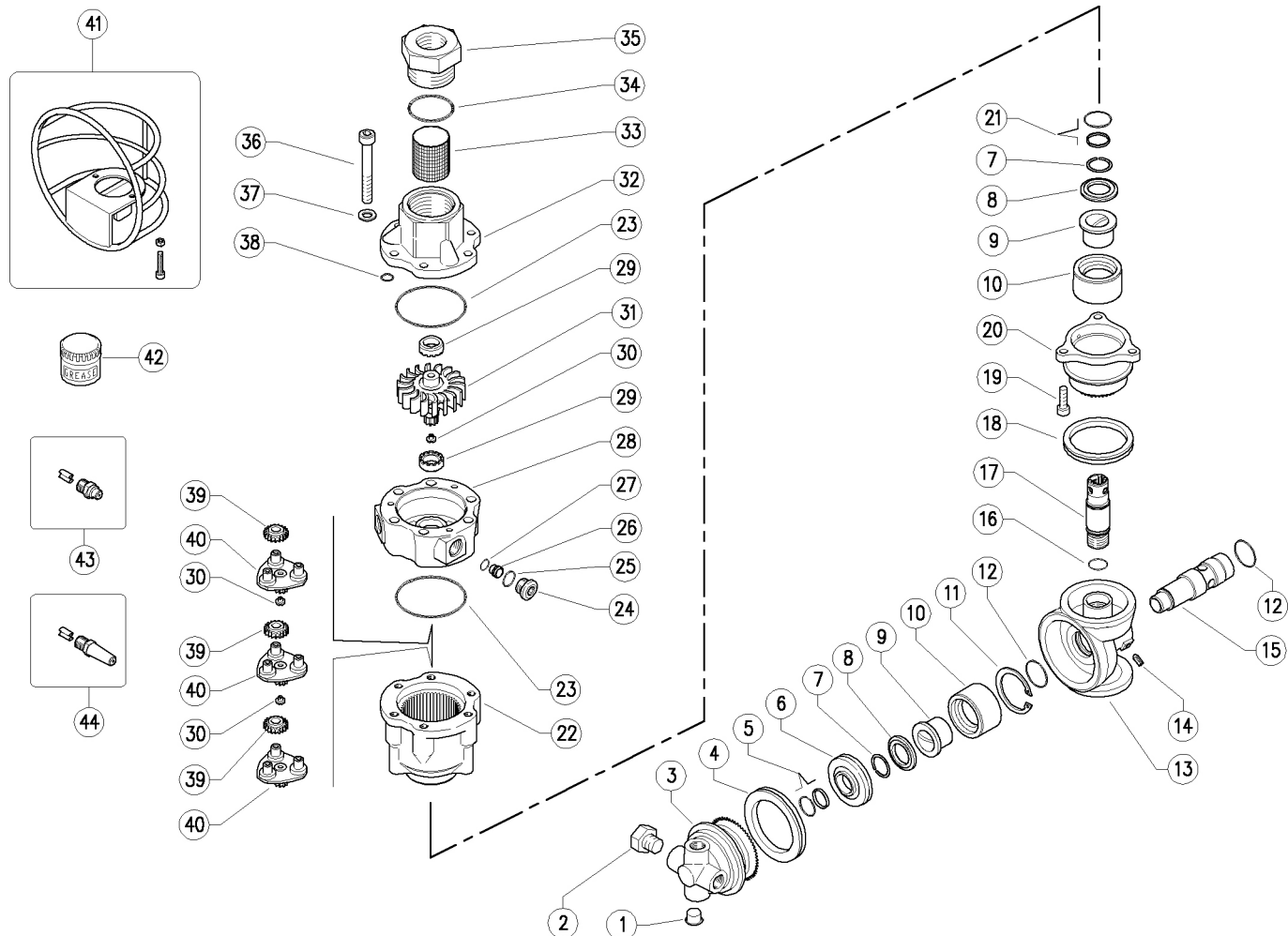
Pos.	P/N	Description	Q.ty	K1	K2	K3	K4	
17	30.1243.66	Tube, 1/4Bsp MM 105 mm z.pl.	1					5
18	30.1244.31	Adapt., M20x1M-1/4F Bsp brass	1					5
19	30.0728.84	Bushing, 9x13x6 mm plast. black	2					10
20	10.3109.93	O-ring, 2,4x8,3 mm Vi 70	1					10
21	10.4008.50	Back-up ring, 9x13,2x1,2 mm	1					10
22	30.0729.31	Spacer ring, 9x19x3 mm brass	1					10
23	30.1553.51	Pin -SW, M10x1,25 M sst.	1					3
24	30.0730.84	Bushing, 10x17x6 mm plast. black	1					10
25	30.0733.31	Nipple, M20x1 F brass	1					5
26	30.3061.31	Coupl., M10x1,25F-3/8F Bsp brass	1					5
27	30.1246.31	Coupling, 1/4 M Bsp x M20 - SW35	1					5
28	10.4008.50	Back-up ring, 9x13,2x1,2 mm	1					10
29	10.3056.01	O-ring, 1,78x8,74 mm Ni 85	1					10
30	26.1205.31	Shim ring, 9x18,4x5,6 mm brass	1					10
31	14.7403.00	Ball, 3 mm Sst.	13					10
32	26.1204.51	Pin, 9mm-M12x1 M Sst.	1					5
33	10.3005.00	O-ring, 1x10 mm Ni 85	1					10
34	26.1202.51	Ring nut, M20x1 Sst.	1					5
35	30.1241.31	Adapt., M12x1F-1/4F Bsp brass	1					5

Kit	P/N	Description	
K1	30.1209.24	Repair kit -RL37, 8x1pcs.	1

(1) 30.1249.00

25.4860.40 A80LU Tank clean.,s/prop.,4 mm inject.- HF
 25.4860.50 A80LU Tank clean.,s/prop.,5 mm inject.- HF

25.4860.60 A80LU Tank clean.,s/prop.,6 mm inject.- HF
 25.4860.80 A80LU Tank clean.,s/prop.,7c mm inject.- HF



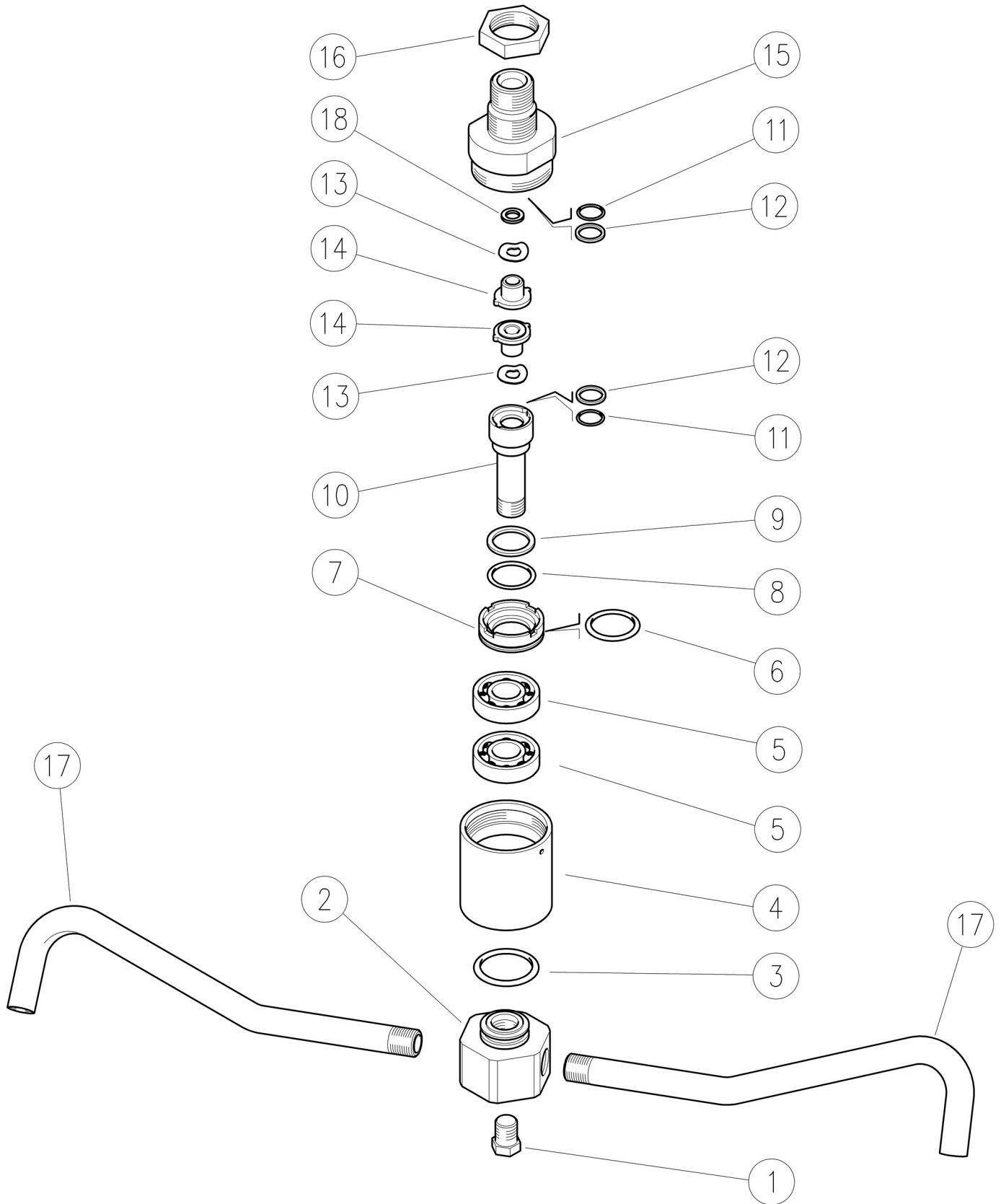
Pos.	P/N	Description	Q.ty	K1	K2	K3	K4
1	15.3720.14	Plug, 1/4" Bsp plast.	2				4
2	15.3721.14	Grub screw, Sst. 1/4M Npt	2				10
3	80.0132.52	Nzl hold. pinion, z.58 4x1/4Npt F Sst.	1				1
4	10.2060.05	V-ring seal, 54x5 mm	1				5
5	10.2035.16	Seal, 16x21x2,1 mm+Or.iVit.	1				5
6	80.0211.51	Spacer ring, 16x41,8x8,8mm Sst.	1				2
7	10.1021.00	Snap ring, d.20 mm Sst.	2				5
8	80.0218.51	Shim ring, Sst.	2				1
9	80.0239.84	Plast.bushing	2				1
10	80.0247.51	Spacer ring, Sst.	2				1
11	10.1025.05	Snap ring, l 42 Sst.	1				5
12	10.3200.10	O-ring, 2,62x23,47 mm Vi 70	2				10
13	80.0135.52	Geared shaft end, Sst.	1				1
14	16.1870.02	Screw, DIN933 M5x12 mm Sst.	2				10
15	80.0214.51	Sst.pin	1				1
16	10.3066.10	O-ring, 1,78x15,6 mm Vi 70	1				10
17	80.0246.51	Sst shaft	1				1
18	10.2050.05	V-ring seal, 45x5 mm	1				2
19	16.1896.20	Screw, DIN912 M6x20 mm Sst.	3				10
20	80.0131.52	Pinion, z.39 Sst.	1				1
21	10.2035.18	Seal, 18mm -slid.block +O-ring, viton	1				1
22	80.0207.52	Ring gear, z.50 Sst.	1				1
23	10.3080.58	O-ring, 1,78x56,87 mm Vi 70	2				10
24	80.0219.51	Plug, int.hex., M14x1 Sst.	3				3
25	10.3060.10	O-ring, 1,78x12,42 mm Vi 70	3				10

Pos.	P/N	Description	Q.ty	K1	K2	K3	K4
26	80.0223.51	Injector, 4mm Sst. (1)	3				3
26	80.0224.51	Injector, 5mm Sst. (2)	3				3
26	80.0225.51	Injector, 6mm Sst. (3)	3				3
26	80.0228.51	Short injector, 7mm Sst. (4)	3				3
27	10.3003.00	O-ring, 1x8 mm	3				10
28	80.0202.52	Stator, Sst.	1				1
29	80.0212.84	Bushing, plast.	2				3
30	80.0213.84	Shim pin, plast.	3				3
31	80.0203.52	Turbine, Sst.	1				1
32	80.0201.52	Manifold, Sst.	1				1
33	28.0014.53	Net, 38mesh-400µm Sst.	1				10
34	10.3208.36	O-ring, 2,62x36,17 mm Vi 70	1				5
35	80.0217.51	Coupl., M40x2 M -3/4F Bsp Sst.	1				1
36	16.1955.60	Screw, DIN912 M8x60 mm Sst.	6				10
37	14.3573.00	Safet. washer, 8,4x2 mm Sst.	6				10
38	10.3109.93	O-ring, 2,4x8,3 mm Vi 70	3				10
39	80.0204.38	Planetary gear, z.19 brz	9				3
40	80.0205.00	Planetary gear holder+3 pins, Sst.	3				1
41	25.4822.00	Protect. -A80 R -extnd nzl. **	1				1
42	14.6552.00	Teflon silicon grease x30g.>All **	1				2
43	16.1380.45	Nzl, sst, 1/4M Npt+guid.vane 00.045 ***	2-4				10
44	80.0418.23	Xnd. nzl., sst. 07 1/4M Npt+guid.vane **	2-4				2
44	80.0420.23	Xnd. nzl., sst. 09 1/4M Npt+guid.vane **	2-4				2
44	80.0430.23	Xnd. nzl., sst. 20 1/4M Npt +guid.vane **	2-4				2
44	80.0440.23	Xnd. nzl., sst. 30 1/4M Npt +guid.vane	2-4				2

** On request


*** Different measures available

(1) 25.4860.40 (2) 25.4860.50 (3) 25.4860.60 (4) 25.4860.80



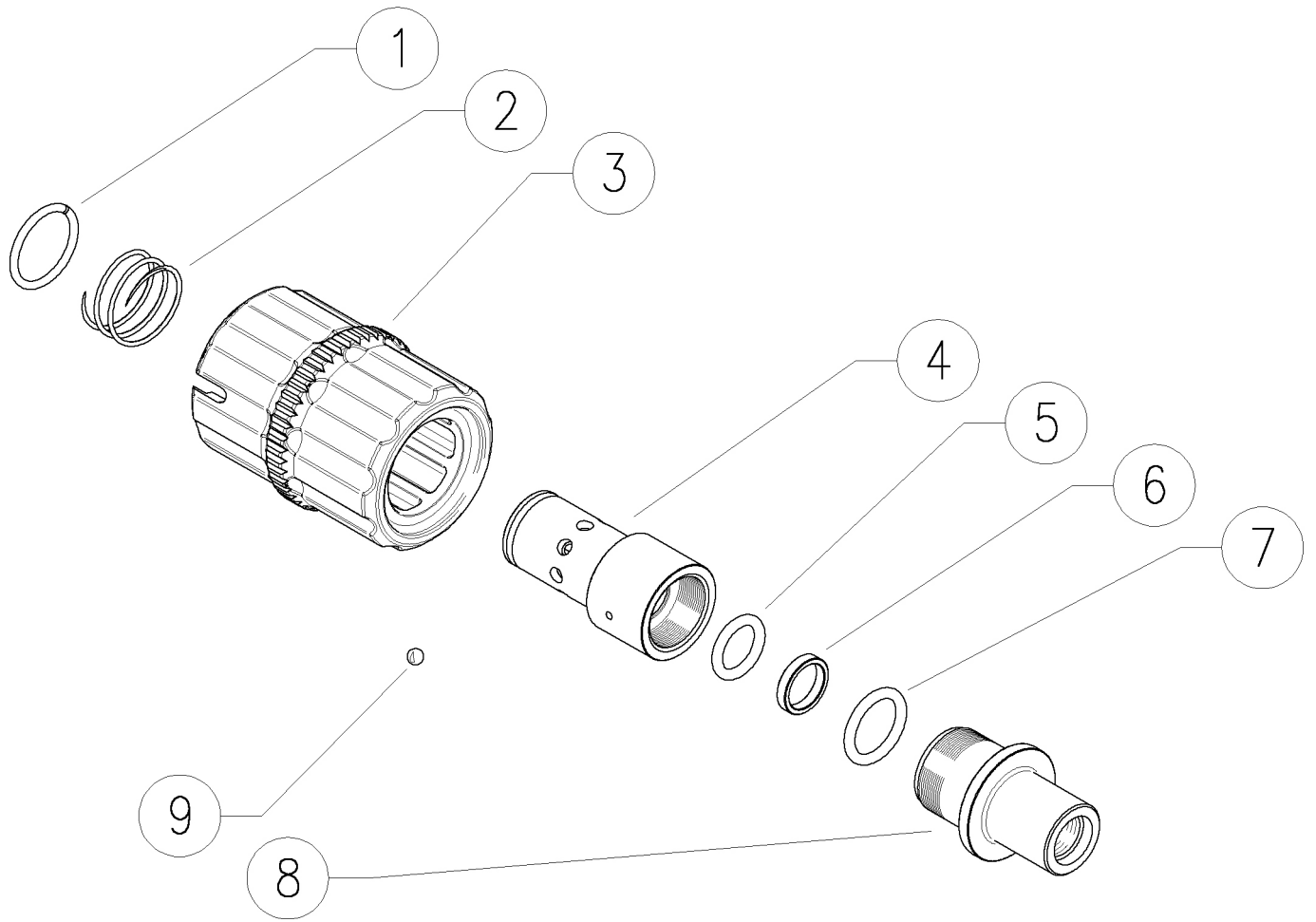
Pos.	P/N	Description	Q.ty	K1	K2	K3	K4	
1	15.3711.18	Grub screw, 303 Sst. 1/8M Npt	1					4
2	26.1405.31	Fitting, M12 x 1" F nickel-plated brass	1					5
3	10.3180.10	O-ring, 2,62x15,08 mm vi.	1					10
4	26.1404.31	Body, M30 x 1" F nickel-plated brass	1					5
5	11.4410.32	Sst.ball-bearing, 12x32x10 mm	2					3
6	10.3077.10	O-ring, 1,78x28,3 mm Vi 70	1					10
7	26.1403.31	Spacer ring, brass	1					5
8	10.3068.25	O-Ring, 1,78x17,17 mm s.	1					10
9	10.4012.60	Seal Ring 16,2x20,5x1,5 PTFE	1					10
10	26.1402.51	Rotating pin, M12, stainless steel	1					5

(1) 26.1440.00 (2) 26.1420.00

Pos.	P/N	Description	Q.ty	K1	K2	K3	K4	
11	10.3057.10	O-Ring 1,78 x 9,25 mm Viton	2					10
12	10.4010.60	Back-up ring, opn. 10x12,6x1,2 mm	2					10
13	10.1110.51	Sst ring	2					5
14	26.1406.83	Seat	2					3
15	26.1401.31	Coupling, 3/8-1/2 Bsp- brass	1					5
16	29.0175.31	Nut, 1/2F Bsp brass	1					10
17	26.1441.56	Sst.tube 234mm bent 1/8Npt F - M12 (1)	2					5
17	26.1421.56	Sst.tube 134mm bent 1/8Npt F - M12 (2)	2					5
20	14.3564.00	Washer, 5,3x9,5x1 mm brass	1					10

26.2400.00 ARS25 B ball-type coup.1/4Bsp F pin 12mm

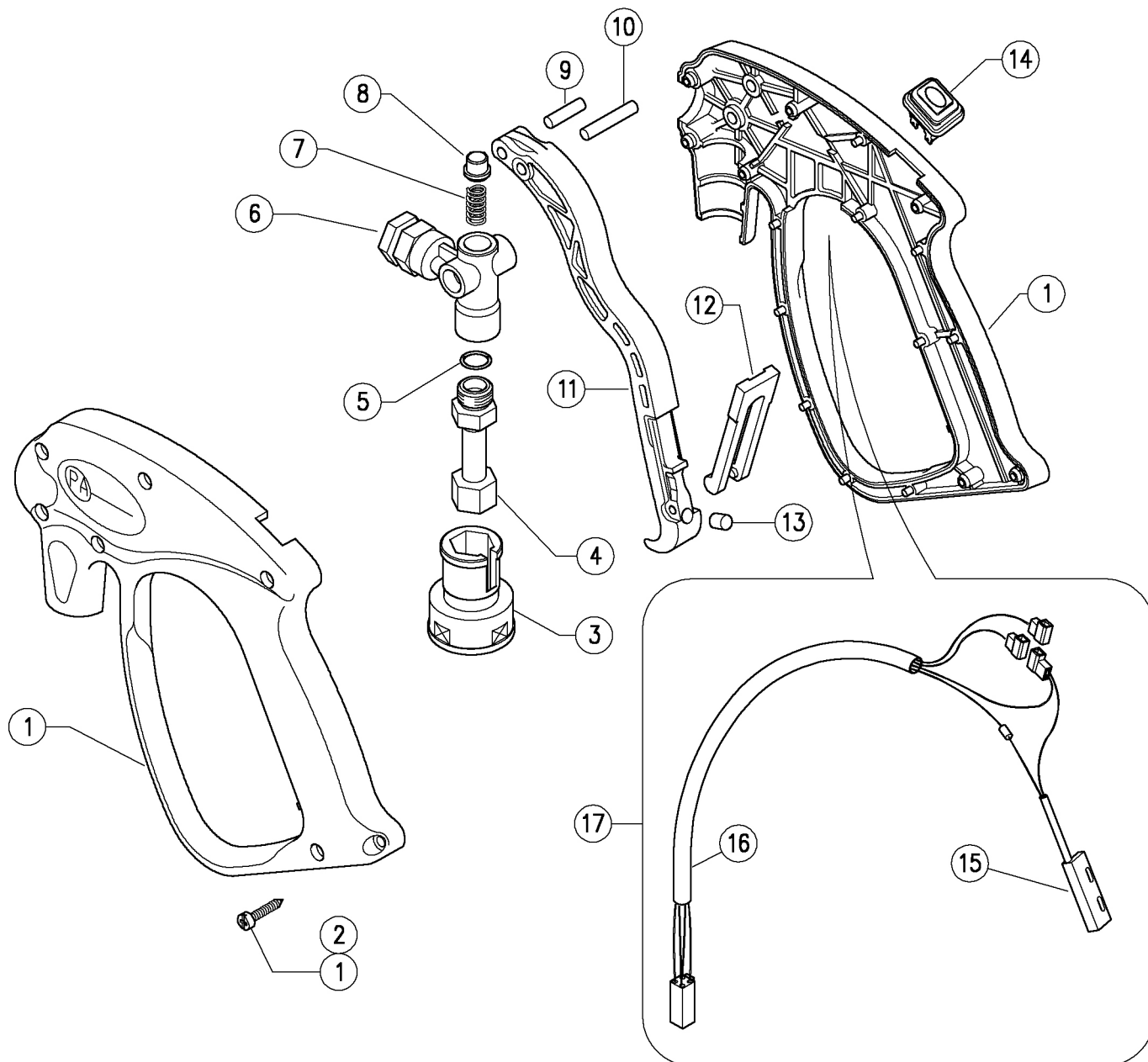
26.2400.60 ARS25 B ball-type coupler,1/4Bsp M pin



Pos.	P/N	Description	Q.ty	K1	K2	K3	K4		Pos.	P/N	Description	Q.ty	K1	K2	K3	K4	
1	26.2406.51	Snap ring, 2x18,3 mm Sst.	1					10	6	10.4043.29	Back-up ring, 12 x 15 x2,9 mm	1					10
2	26.2405.51	Spring, 1,1x21,2x25mm Sst	1					10	7	10.3180.00	O-ring, 2,62x15,08 mm	1					10
3	26.2402.22	ARS25 - Handle + inset	1					5	8	26.2401.31	Coupling ARS25, 1/4 F Bsp - M22x1 brass (1)	1					3
4	26.2407.31	ARS25-Ball-holding pin -M22x1 brass	1					3	8	26.2408.31	Coupl. ARS25, 1/4 M Bsp -M22 brass (2)	1					3
5	10.3176.10	O-Ring, 2,62x11,91 mm Vi 70	1					5	9	14.7405.00	Ball, 5/32" Sst.	8					10

(1) 26.2400.00 (2) 26.2400.60

30.6020.00 RV23P Free flow steam gun 1/4F Bsp

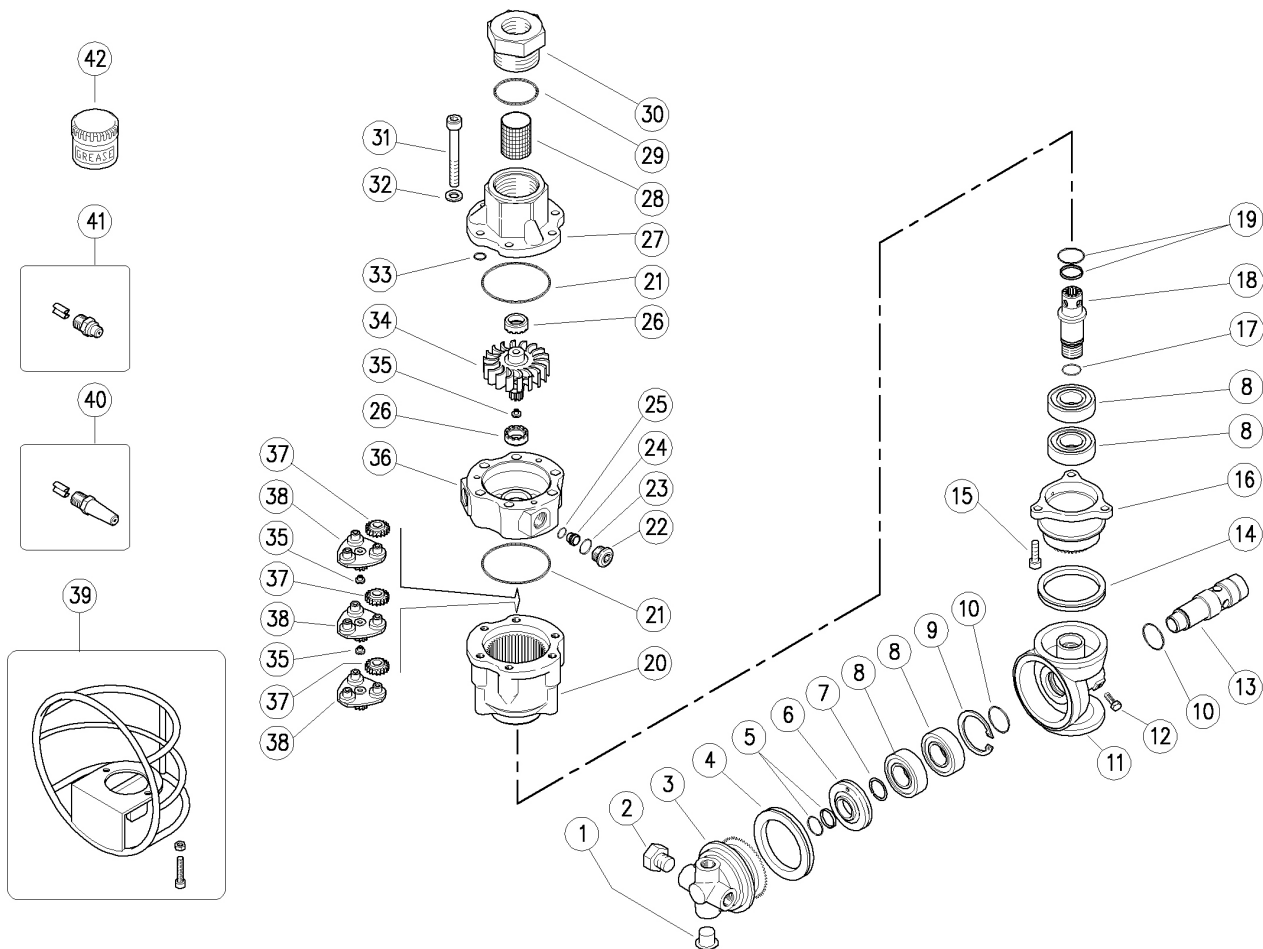


Pos.	P/N	Description	Q.ty	K1	K2	K3	K4	
1	30.6114.24	Casing Kit -RV23 +screws	1					1
2	16.3075.51	S/tapping screw, DIN7981 3,5x18 mm Sst.	7					10
3	30.6104.84	Thermo-protection coupling, plast.	1					5
4	30.6106.31	Coupl. -RV23 1/4 Bsp F bras.	1					5
5	10.3020.10	O-ring, 1,5x10 mm Vi 70	1					10
6	30.6101.35	Body - RV23P free flow, brass	1					3
7	30.0001.51	Spring, 1,4x7,8x13,5 mm Sst.	1					10
8	30.6012.31	Pawl -RV23, brass	1					5

Pos.	P/N	Description	Q.ty	K1	K2	K3	K4	
9	30.0412.51	Sst.parallel pin, 5x20mm	1					10
10	30.4114.51	Parallel pin, 5x33 mm Sst.	1					10
11	30.6107.84	Trigger -RV23 black, pierced	1					10
12	30.1515.84	Safety latch, PA blue	1					10
13	30.5821.51	Magnet, 5x8 mm	1					5
14	12.5022.00	Ele. switch with pilot lamp	1					5
17	12.5023.04	Cable 4x0,5 360mm + magnetic sensor	1					3

25.4872.50 A80RA Tank clean.,s/prop., inj. 5mm Atex
 25.4872.60 A80RA Tank clean.,s/prop., inj. 6mm Atex

25.4872.80 A80RA Tank clean.,s/prop., inj. 7sh.Atex



Pos.	P/N	Description	Q.ty	K	1	2	3	K3	4	Pos.	P/N	Description	Q.ty	K	1	2	3	K3	4
1	15.3720.14	Plug, 1/4" Bsp plast.	2						4	24	80.0222.51	Injector, 3mm Sst. **	3						3
2	15.3721.14	Grub screw, Sst. 1/4M Npt	2						10	24	80.0223.51	Injector, 4mm Sst. **	3						3
3	80.0132.52	Nzl hold. pinion, z.58 4x1/4Npt F Sst.	1						1	24	80.0224.51	Injector, 5mm Sst. (1)	3						3
4	10.2060.05	V-ring seal, 54x5 mm	1	•					5	24	80.0225.51	Injector, 6mm Sst. (2) **	3						3
5	10.2030.16	Stem seal, 16x21x2,2 mm +O-ring Epdm	1	•					5	24	80.0226.51	Injector, 7mm Sst. **	3						3
5	10.2035.16	Seal, 16x21x2,1 mm+Or.iVit. **	1						5	24	80.0228.51	Short injector, 7mm Sst. (3) **	3						3
5	10.2033.16	Seal, 16mm+O-ring, kalrez **	1						1	25	10.3003.00	O-ring, 1x8 mm	3	•					10
6	80.0211.51	Spacer ring, 16x41,8x8,8mm Sst.	1						2	26	80.0212.84	Bushing, plast.	2						3
7	10.1021.00	Snap ring, d.20 mm Sst.	1						5	27	80.0201.52	Manifold, Sst.	1						1
8	11.4420.42	Ball-bearing, 20x42x12 mm - 2RS1 Sst.	4						2	28	28.0014.53	Net, 38mesh-400µm Sst.	1						10
9	10.1025.05	Snap ring, I 42 Sst.	1						5	29	10.3208.36	O-ring, 2,62x36,17 mm Vi 70	1	•					5
10	10.3200.10	O-ring, 2,62x23,47 mm Vi 70	2	•					10	30	80.0217.51	Coupl., M40x2 M -3/4F Bsp Sst.	1						1
11	80.0135.52	Geared shaft end, Sst.	1						1	31	16.1955.60	Screw, DIN912 M8x60 mm Sst.	6						10
12	16.1870.02	Screw, DIN933 M5x12 mm Sst.	2						10	32	14.3573.00	Safet. washer, 8,4x2 mm Sst.	6						10
13	80.0242.51	Pin, 24x85mm Sst.	1						1	33	10.3109.93	O-ring, 2,4x8,3 mm Vi 70	3	•					10
14	10.2050.05	V-ring seal, 45x5 mm	1	•					2	34	80.0203.52	Turbine, Sst.	1						1
15	16.1896.20	Screw, DIN912 M6x20 mm Sst.	3						10	35	80.0213.84	Shim pin, plast.	3						3
16	80.0131.52	Pinion, z.39 Sst.	1						1	36	80.0202.52	Stator, Sst.	1						1
17	10.3066.10	O-ring, 1,78x15,6 mm Vi 70	1						10	37	80.0204.38	Planetary gear, z.19 brz	9						3
18	80.0243.51	Geared shaft, Sst.	1						1	38	80.0205.00	Planetary gear holder+3 pins, Sst.	3						1
19	10.2030.18	Stem seal, 18x23x2 mm +O-ring Epdm	1	•					5	39	25.4822.00	Protect. -A80 R -extnd nzl. **	1						1
19	10.2035.18	Seal, 18mm -slid.block +O-ring, viton **	1						1	40	80.0418.23	Xnd. nzl., sst. 07 1/4M Npt+guid.vane **	2-4						2
19	10.2033.18	Seal, 18mm -slid.block +O-ring, kalrez **	1						1	40	80.0420.23	Xnd. nzl., sst. 09 1/4M Npt+guid.vane **	2-4						2
20	80.0207.52	Ring gear, z.50 Sst.	1						1	40	80.0430.23	Xnd. nzl., sst. 20 1/4M Npt +guid.vane **	2-4						2
21	10.3080.58	O-ring, 1,78x56,87 mm Vi 70	2	•					10	40	80.0440.23	Xnd. nzl., sst. 30 1/4M Npt +guid.vane	2-4						2
22	80.0219.51	Plug, int.hex., M14x1 Sst.	3						3	41	16.1380.45	Nzl, sst, 1/4M Npt+guid.vane 00.045 ***	2-4						10
23	10.3060.10	O-ring, 1,78x12,42 mm Vi 70	3	•					10	42	14.6552.00	Teflon silicon grease x30g.>All **	1						2
24	80.0221.51	Injector, 2mm Sst. **	3						3	42	14.6550.00	Teflon grease x30g.>no Epdm **	1						2
24	80.0227.51	Injector, 2,5mm Sst. **	3						3										

** On request

*** Different measures available

Kit	P/N	Description	Q.ty
K1	25.4828.24	Seals Spares Kit - A80R 10x1pcs.	1

Pos.	P/N	Description	Q.ty	K1	K2	K3	K4		Pos.	P/N	Description	Q.ty	K1	K2	K3	K4	
1	15.3720.14	Plug, 1/4" Bsp plast.	2					4	24	80.0227.51	Injector, 2,5mm Sst. (4) **	3					3
2	15.3721.14	Grub screw, Sst. 1/4M Npt	2					10	24	80.0222.51	Injector, 3mm Sst. (5) **	3					3
3	80.0132.52	Nzl hold. pinion, z.58 4x1/4Npt F Sst.	1					1	24	80.0223.51	Injector, 4mm Sst. (6) **	3					3
3	80.0134.52	Strght.nzl hold.pinion,z.58 4x1/4Npt F (1)	1					1	24	80.0224.51	Injector, 5mm Sst. (7)	3					3
3	80.0134.52	Strght.nzl hold.pinion,z.58 4x1/4Npt F (2)	1					1	24	80.0225.51	Injector, 6mm Sst. (8) **	3					3
4	10.2060.05	V-ring seal, 54x5 mm	1	•				5	24	80.0226.51	Injector, 7mm Sst. (9) **	3					3
5	10.2030.16	Stem seal, 16x21x2,2 mm +O-ring Epdm	1	•				5	24	80.0228.51	Short injector, 7mm Sst. (10) **	3					3
5	10.2035.16	Seal, 16x21x2,1 mm+Or.iVit. (2) **	1					5	25	10.3003.00	O-ring, 1x8 mm	3	•		•		10
5	10.2033.16	Seal,16mm+O-ring, kalrez **	1					1	26	80.0212.84	Bushing, plast.	2		•			3
6	80.0211.51	Spacer ring, 16x41,8x8,8mm Sst.	1					2	27	80.0201.52	Manifold, Sst.	1					1
7	10.1021.00	Snap ring, d.20 mm Sst.	1		•			5	28	28.0014.53	Net, 38mesh-400µm Sst.	1					10
8	11.4420.42	Ball-bearing, 20x42x12 mm - 2RS1 Sst.	4		•			2	29	10.3208.36	O-ring, 2,62x36,17 mm Vi 70	1	•				5
9	10.1025.05	Snap ring, I 42 Sst.	1		•			5	30	80.0217.51	Coupl., M40x2 M -3/4F Bsp Sst.	1					1
10	10.3200.10	O-ring, 2,62x23,47 mm Vi 70	2	•				10	31	16.1955.60	Screw, DIN912 M8x60 mm Sst.	6					10
11	80.0135.52	Geared shaft end, Sst.	1					1	32	14.3573.00	Safet. washer, 8,4x2 mm Sst.	6					10
12	16.1870.02	Screw, DIN933 M5x12 mm Sst.	2					10	33	10.3109.93	O-ring, 2,4x8,3 mm Vi 70	3	•				10
13	80.0242.51	Pin, 24x85mm Sst.	1					1	34	80.0203.52	Turbine, Sst.	1					1
14	10.2050.05	V-ring seal, 45x5 mm	1	•				2	35	80.0213.84	Shim pin, plast.	3		•			3
15	16.1896.20	Screw, DIN912 M6x20 mm Sst.	3					10	36	80.0202.52	Stator, Sst.	1					1
16	80.0131.52	Pinion, z.39 Sst.	1					1	37	80.0204.38	Planetary gear, z.19 brz	9		•			3
17	10.3066.10	O-ring, 1,78x15,6 mm Vi 70	1					10	38	80.0205.00	Planetary gear holder+3 pins, Sst.	3					1
18	80.0243.51	Geared shaft, Sst.	1					1	39	25.4822.00	Protect. -A80 R -extnd nzl. **	1					1
19	10.2030.18	Stem seal, 18x23x2 mm +O-ring Epdm	1	•				5	40	80.0418.23	Xnd. nzl., sst. 07 1/4M Npt+guid.vane **	2-4					2
19	10.2035.18	Seal, 18mm -slid.block +O-ring, viton (2) **	1					1	40	80.0420.23	Xnd. nzl., sst. 09 1/4M Npt+guid.vane **	2-4					2
19	10.2033.18	Seal, 18mm -slid.block +O-ring, kalrez **	1					1	40	80.0430.23	Xnd. nzl., sst. 20 1/4M Npt +guid.vane **	2-4					2
20	80.0207.52	Ring gear, z.50 Sst.	1					1	40	80.0440.23	Xnd. nzl., sst. 30 1/4M Npt +guid.vane	2-4					2
21	10.3080.58	O-ring, 1,78x56,87 mm Vi 70	2	•				10	41	16.1380.45	Nzl, sst,1/4M Npt+guid.vane 00.045 ***	2-4					10
22	80.0219.51	Plug, int.hex., M14x1 Sst.	3			•		3	42	14.6552.00	Teflon silicon grease x30g.>All **	1					2
23	10.3060.10	O-ring, 1,78x12,42 mm Vi 70	3	•		•		10	42	14.6550.00	Teflon grease x30g.>no Epdm **	1					2
24	80.0221.51	Injector, 2mm Sst. (3) **	3					3									

** On request

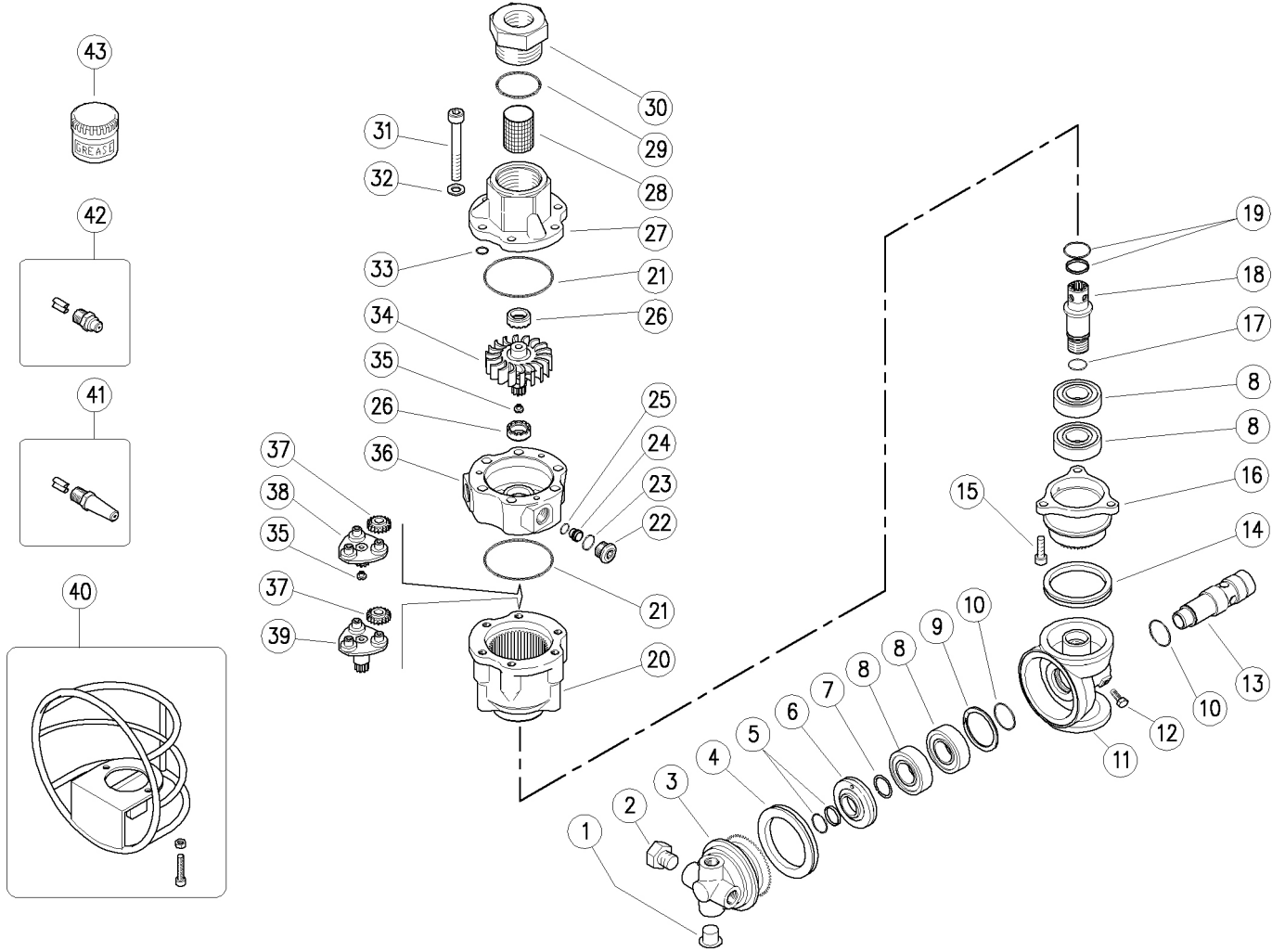
*** Different measures available

Kit	P/N	Description	
K1	25.4828.24	Seals Spares Kit - A80R 10x1pcs.	1
K2	25.4852.24	Spares Kit - A80R 7x1pcs.	1
K3	25.4810.40	A80 injector kit size 040, w/plug	1

(1) 25.4825.25 (2) 25.4826.60 (3) 25.4820.20 (4) 25.4820.25 (5) 25.4820.30 (6) 25.4820.40 (7) 25.4820.50 (8) 25.4820.60 (9) 25.4820.70 (10) 25.4820.80

25.4850.25 A80-R2 Tank clean.,2-stage,2,5mm inject.
 25.4850.40 A80-R2 Tank clean.,2-stage, 4mm inject.


25.4850.70 A80-R2 Tank clean.,s/prop.,7mm inject.
 25.4850.80 A80-R2 tank cleaner, 7mm, short inj.



Pos.	P/N	Description	Q.ty	K1	K2	K3	K4	
1	15.3720.14	Plug, 1/4" Bsp plast.	2					4
2	15.3721.14	Grub screw, Sst. 1/4M Npt	2					10
3	80.0132.52	Nzl hold. pinion, z.58 4x1/4Npt F Sst.	1					1
4	10.2060.05	V-ring seal, 54x5 mm	1	•				5
5	10.2030.16	Stem seal, 16x21x2,2 mm +O-ring Epdm	1	•				5
5	10.2035.16	Seal, 16x21x2,1 mm+Or.iVit. **	1					5
5	10.2033.16	Seal,16mm+O-ring, kalrez **	1					1
6	80.0211.51	Spacer ring, 16x41,8x8,8mm Sst.	1					2
7	10.1021.00	Snap ring, d.20 mm Sst.	1	•				5
8	11.4420.42	Ball-bearing, 20x42x12 mm - 2RS1 Sst.	4	•				2
9	10.1025.05	Snap ring, l 42 Sst.	1	•				5
10	10.3200.10	O-ring, 2,62x23,47 mm Vi 70	2	•				10
11	80.0135.52	Geared shaft end, Sst.	1					1
12	16.1870.02	Screw, DIN933 M5x12 mm Sst.	2					10
13	80.0242.51	Pin, 24x85mm Sst.	1					1
14	10.2050.05	V-ring seal, 45x5 mm	1	•				2
15	16.1896.20	Screw, DIN912 M6x20 mm Sst.	3					10
16	80.0131.52	Pinion, z.39 Sst.	1					1
17	10.3066.10	O-ring, 1,78x15,6 mm Vi 70	1					10
18	80.0243.51	Geared shaft, Sst.	1					1
19	10.2030.18	Stem seal, 18x23x2 mm +O-ring Epdm	1	•				5
19	10.2035.18	Seal, 18mm -slid.block +O-ring, viton **	1					1
19	10.2033.18	Seal, 18mm -slid.block +O-ring, kalrez **	1					1
20	80.0207.52	Ring gear, z.50 Sst.	1					1
21	10.3080.58	O-ring, 1,78x56,87 mm Vi 70	2	•				10
22	80.0219.51	Plug, int.hex., M14x1 Sst.	3					3
23	10.3060.10	O-ring, 1,78x12,42 mm Vi 70	3	•				10
24	80.0221.51	Injector, 2mm Sst. **	3					3
24	80.0227.51	Injector, 2,5mm Sst. **	3					3

** On request

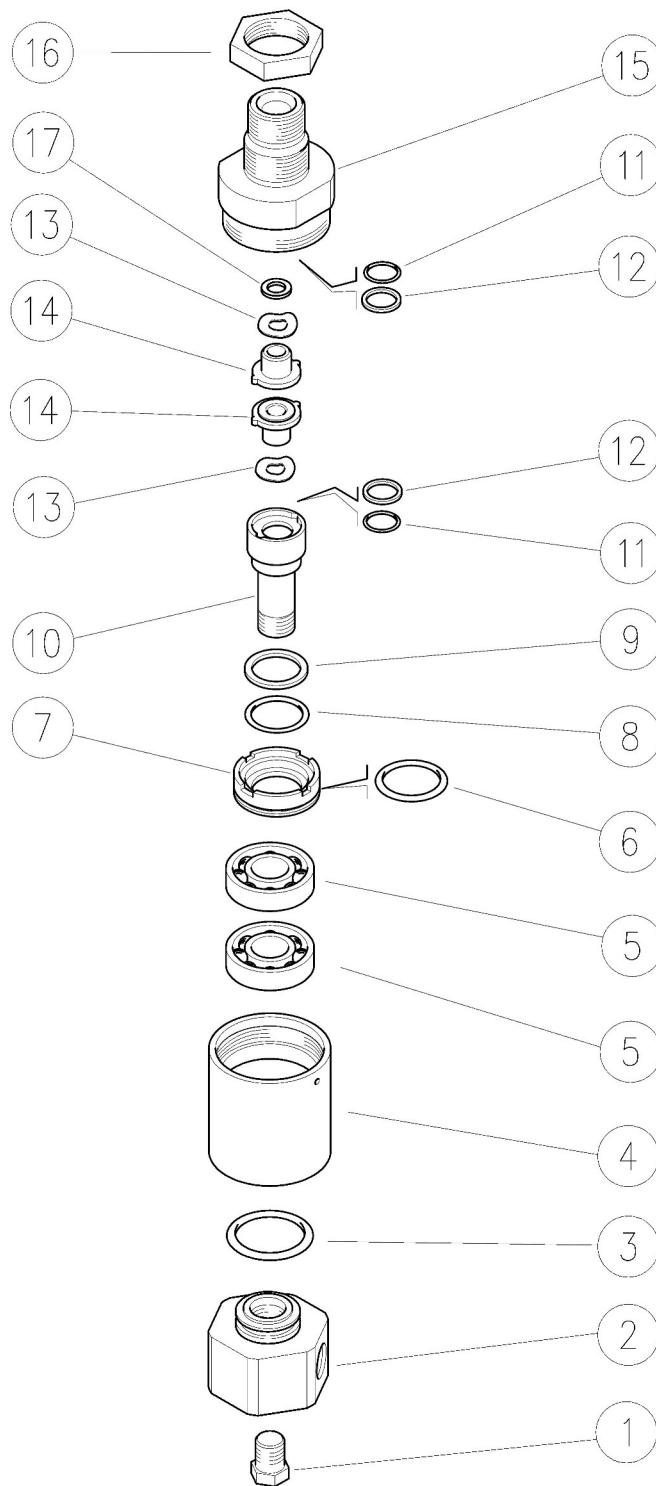
*** Different measures available

Kit	P/N	Description	
K1	25.4828.24	Seals Spares Kit - A80R 10x1pcs.	1
K2	25.4852.24	Spares Kit - A80R 7x1pcs.	1

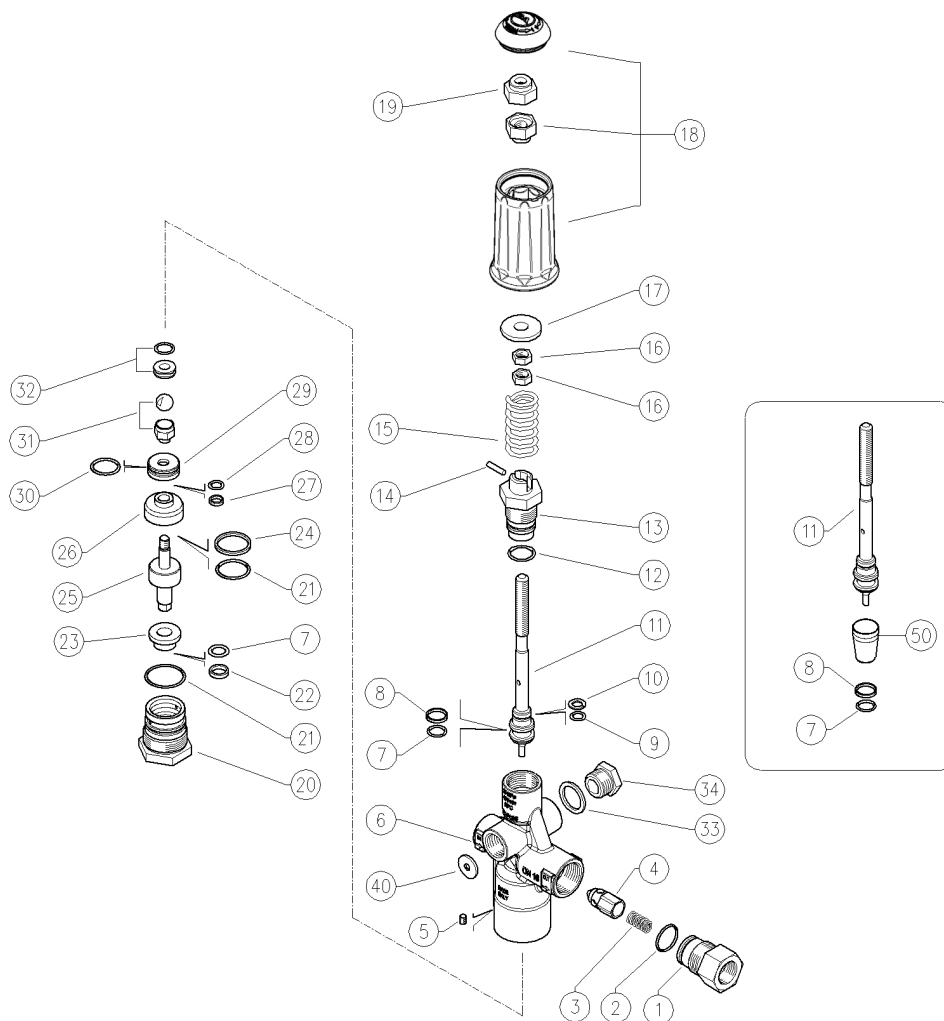
(1) 25.4850.40 (2) 25.4850.70 (3) 25.4850.80

Pos.	P/N	Description	Q.ty	K1	K2	K3	K4	
24	80.0222.51	Injector, 3mm Sst. **	3					3
24	80.0223.51	Injector, 4mm Sst. (1) **	3					3
24	80.0224.51	Injector, 5mm Sst.	3					3
24	80.0225.51	Injector, 6mm Sst. **	3					3
24	80.0226.51	Injector, 7mm Sst. (2) **	3					3
24	80.0228.51	Short injector, 7mm Sst. (3) **	3					3
25	10.3003.00	O-ring, 1x8 mm	3	•				10
26	80.0212.84	Bushing, plast.	2	•				3
27	80.0201.52	Manifold, Sst.	1					1
28	28.0014.53	Net, 38mesh-400µm Sst.	1					10
29	10.3208.36	O-ring, 2,62x36,17 mm Vi 70	1	•				5
30	80.0217.51	Coupl., M40x2 M -3/4F Bsp Sst.	1					1
31	16.1955.60	Screw, DIN912 M8x60 mm Sst.	6					10
32	14.3573.00	Safet. washer, 8,4x2 mm Sst.	6					10
33	10.3109.93	O-ring, 2,4x8,3 mm Vi 70	3	•				10
34	80.0203.52	Turbine, Sst.	1					1
35	80.0213.84	Shim pin, plast.	3	•				3
36	80.0202.52	Stator, Sst.	1					1
37	80.0204.38	Planetary gear, z.19 brz	6	•				3
38	80.0205.00	Planetary gear holder+3 pins, Sst.	1					1
39	80.0245.21	Planetary gear holder+3 pins, Sst.	1					1
40	25.4822.00	Protect. -A80 R -extnd nzl. **	1					1
41	80.0418.23	Xnd. nzl., sst. 07 1/4M Npt+guid.vane **	2-4					2
41	80.0420.23	Xnd. nzl., sst. 09 1/4M Npt+guid.vane **	2-4					2
41	80.0430.23	Xnd. nzl., sst. 20 1/4M Npt +guid.vane **	2-4					2
41	80.0440.23	Xnd. nzl., sst. 30 1/4M Npt +guid.vane	2-4					2
42	16.1380.45	Nzl, sst,1/4M Npt+guid.vane 00.045 ***	2-4					10
43	14.6552.00	Teflon silicon grease x30g.>All **	1					2
43	14.6550.00	Teflon grease x30g.>no Epdm **	1					2

26.1400.00 GR38 -Rotating Head, 3/8M Bsp - 2xM12



Pos.	P/N	Description	Q.ty	K1	K2	K3	K4	Pos.	P/N	Description	Q.ty	K1	K2	K3	K4
1	15.3711.18	Grub screw, 303 Sst. 1/8M Npt	1				4	10	26.1402.51	Rotating pin, M12, stainless steel	1				5
2	26.1405.31	Fitting, M12 x 1" F nickel-plated brass	1				5	11	10.3057.10	O-Ring 1,78 x 9,25 mm Viton	2				10
3	10.3180.10	O-ring, 2,62x15,08 mm vi.	1				10	12	10.4010.60	Back-up ring, opn. 10x12,6x1,2 mm	2				10
4	26.1404.31	Body, M30 x 1" F nickel-plated brass	1				5	13	10.1110.51	Sst ring	2				5
5	11.4410.32	Sst.ball-bearing, 12x32x10 mm	2				3	14	26.1406.83	Seat	2				3
6	10.3077.10	O-ring, 1,78x28,3 mm Vi 70	1				10	15	26.1401.31	Coupling, 3/8-1/2 Bsp- brass	1				5
7	26.1403.31	Spacer ring, brass	1				5	16	29.0175.31	Nut, 1/2F Bsp brass	1				10
8	10.3068.25	O-Ring, 1,78x17,17 mm s.	1				10	20	14.3564.00	Washer, 5,3x9,5x1 mm brass	1				10
9	10.4012.60	Seal Ring 16,2x20,5x1,5 PTFE	1				10								

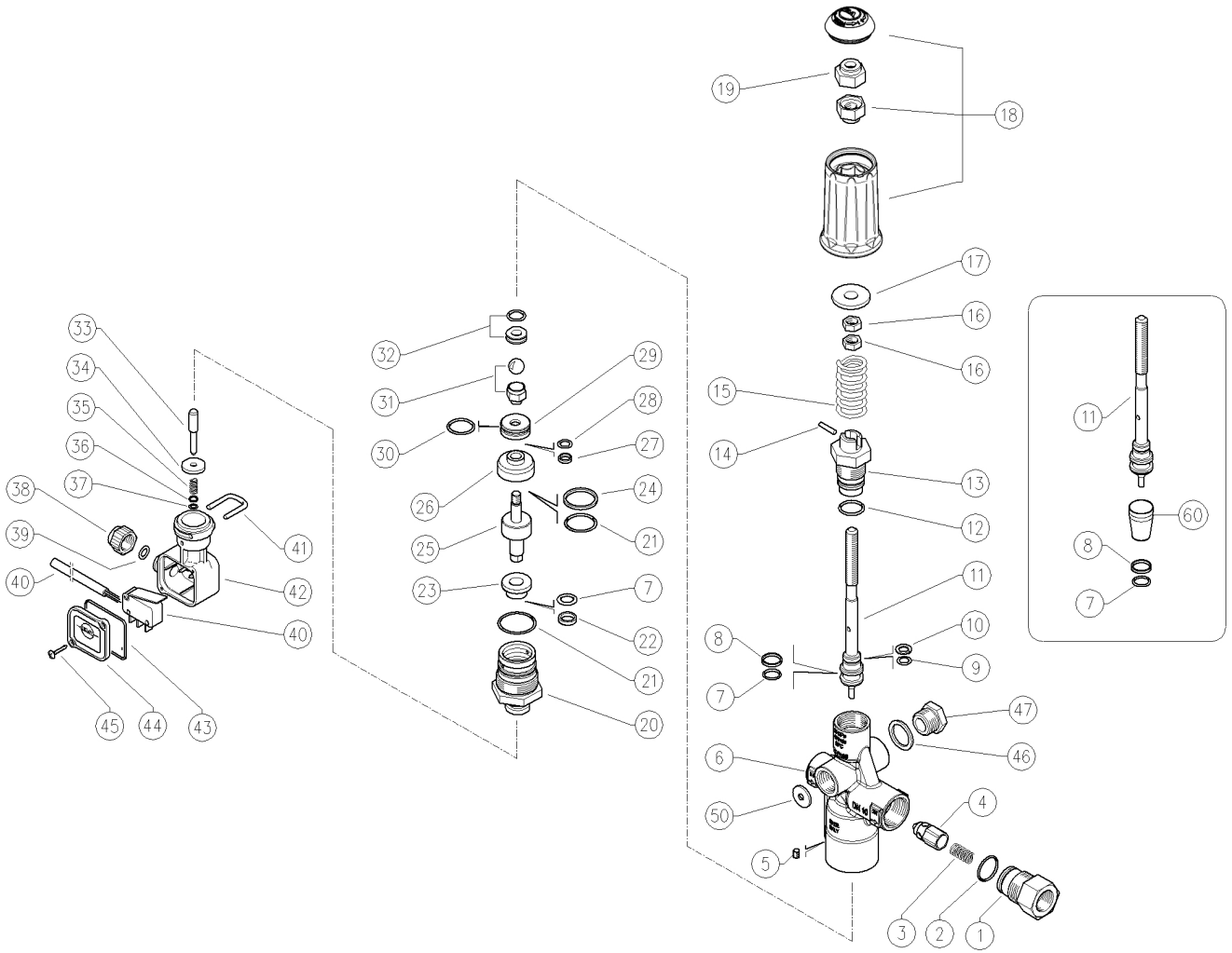


Pos.	P/N	Description	Q.ty	K1	K2	K3	K4	Pos.	P/N	Description	Q.ty	K1	K2	K3	K4
1	60.1811.31	Shutter coupl., 3/8F Bsp brass (1)	1				3	20	60.2404.31	Lower plug, brass	1				3
1	60.2412.31	Shutter coupl., 3/8F Npt brass (2)	1				3	21	10.3072.60	O-ring, 1,78x21,95 mm Ni 85	2	•			10
2	10.3066.01	O-ring, 1,78x15,6 mm Ni 85	1	•			10	22	10.4055.00	Back-up ring, 9,2x11,2x2 mm	1	•			10
3	60.2401.51	Sst spring, 1x7,5x20 mm	1				10	23	60.2410.31	9,2 mm brass piston ring	1				3
4	60.2408.51	Sst shutter	1				5	24	10.4059.00	Back-up ring, 20x22x2 mm	1	•			10
5	16.2105.08	Set screw, DIN915 M5x8 mm Sst.	1				10	25	60.2407.51	Sst pin	1				5
6	60.2405.35	Housing -Puls.Zero, 3/8Bsp F brass (1)	1				3	26	60.2409.31	7 mm brass piston ring	1				3
6	60.2411.35	Housing -Puls.Zero, 3/8Npt F brass (2)	1				3	27	10.4007.92	Back-up ring, 7x9x2 mm	1	•			10
7	10.3058.01	O-ring, 1,78x10,82 mm	2	•			10	28	10.3056.00	O-ring, 1,78x8,74 mm	1	•			10
8	10.4058.00	Back-up ring, opn. 14x16x2 mm	1	•			10	29	60.2406.31	Spacer ring	1				3
9	10.3055.01	O ring 1,78 x 7,66 mm	1	•			10	30	10.3068.01	O-ring, 1,78x17,17 mm Ni 85	1	•			10
10	10.4008.11	Back-up ring, opn. 8,5x11,5x1,2 mm	1	•			10	31	60.1311.21	Shutter pin, M6 brass+ball, 13/32" Sst.	1	•			10
11	60.2402.51	Sst. valve piston	1				5	32	60.0259.20	Seat, 8mm + O-ring, 1,78mm	1	•			10
12	10.3064.01	O-ring, 1,78x14 mm Ni 85	1	•			10	33	14.4042.00	Washer, 16,7x22x1,5 mm alu. (1)	1				25
13	60.2403.31	Piston holder, brass	1				5	34	60.0028.31	Plug,brass 3/8 Bsp,hex.19 (1)	1				25
14	15.1021.00	Roll pin, 3x14 mm Sst.	1				10	34	60.0025.31	Grub screw, brass 3/8M Npt (1)	1				10
15	60.0033.61	Spring, 5,7x26x53 mm blue	1				5	40	60.2423.31	Nozzle, 3,5 mm brass x Bsp (1) **	1				10
16	11.4573.31	Hex. nut, M8, brass	2				10	40	60.2424.31	Nozzle, 4,5 mm brass x Bsp (1) **	1				10
17	14.3720.40	Washer, 9,2x24x0,5 mm	1				10	40	60.2428.31	Nozzle, 3,5 mm brass x Npt (2) **	1				10
18	60.0148.24	Knob + Plug -Pulsar4	1				5	40	60.2429.31	Nozzle, 4,5 mm brass x Npt (2) **	1				10
19	11.4589.10	Hex. locknut, M8	1				10	50	10.4409.00	Seal frame >Pulsar/zero **	1				1

** On request

Kit	P/N	Description	Q.ty
K1	60.2414.24	Spares kit -Puls.Zero, 14x1pcs.	1

(1) 60.2400.00 (2) 60.2400.50



Pos.	P/N	Description	Q.ty	K1	K2	K3	K4		Pos.	P/N	Description	Q.ty	K1	K2	K3	K4	
1	60.1811.31	Shutter coupl., 3/8F Bsp brass (1)	1					3	27	10.4007.92	Back-up ring, 7x9x2 mm	1	.				10
1	60.2412.31	Shutter coupl., 3/8F Npt brass (1)	1					3	28	10.3056.00	O-ring, 1,78x8,74 mm	1	.				10
2	10.3066.01	O-ring, 1,78x15,6 mm Ni 85	1	.				10	29	60.2406.31	Spacer ring	1					3
3	60.2401.51	Sst spring, 1x7,5x20 mm	1					10	30	10.3068.01	O-ring, 1,78x17,17 mm Ni 85	1	.				10
4	60.2408.51	Sst shutter	1					5	31	60.1311.21	Shutter pin, M6 brass+ball, 13/32" Sst.	1	.				10
5	16.2105.08	Set screw, DIN915 M5x8 mm Sst.	1					10	32	60.0259.20	Seat, 8mm + O-ring, 1,78mm	1	.				10
6	60.2405.35	Housing -Puls.Zero, 3/8Bsp F brass (1)	1					3	33	60.2452.31	Brass pin	1					3
6	60.2411.35	Housing -Puls.Zero, 3/8Npt F brass (2)	1					3	34	29.0086.31	Washer, 4x16x2,5 mm brass	1					10
7	10.3058.01	O-ring, 1,78x10,82 mm	2	.				10	35	60.0867.51	Spring, 0,5x6,5x22 mm Sst.	1					25
8	10.4058.00	Back-up ring, opn. 14x16x2 mm	1	.				10	36	14.3519.00	Washer, 4x8x0,5 mm brass	1	.				10
9	10.3055.01	O ring 1,78 x 7,66 mm	1	.				10	37	10.3038.00	O-ring, 1,78x3,68 mm	1	.				10
10	10.4008.11	Back-up ring, opn. 8,5x11,5x1,2 mm	1	.				10	38	29.0109.84	Locknut for cable gland, PA red	1					10
11	60.2402.51	Sst. valve piston	1					5	39	10.3169.00	O-ring, 2,62x6,02 mm	1	.				10
12	10.3064.01	O-ring, 1,78x14 mm Ni 85	1	.				10	40	12.5006.00	Cable, 3x0,75 L.1000 mm+ Microswitch	1					5
13	60.2403.31	Piston holder, brass	1					5	41	29.0087.51	U-bolt, Sst.	1					10
14	15.1021.00	Roll pin, 3x14 mm Sst.	1					10	42	29.0089.84	Housing, PR5 PA black	1					10
15	60.0033.61	Spring, 5,7x26x53 mm blue	1					5	43	10.3206.01	O-ring, 2,62x28,25 mm	1	.				10
16	11.4573.31	Hex. nut, M8, brass	2					10	44	29.0088.84	Lid, PR5 PA black	1					10
17	14.3720.40	Washer, 9,2x24x0,5 mm	1					10	45	16.3020.00	S/tapp. screw, 2,5x12mm chrom	2					10
18	60.0148.24	Knob + Plug -Pulsar4	1					5	46	14.4042.00	Washer, 16,7x22x1,5 mm alu. (1)	1					25
19	11.4589.10	Hex. locknut, M8	1					10	47	60.0028.31	Plug,brass 3/8 Bsp,hex.19 (1)	1					25
20	60.2451.31	Lower plug, brass	1					3	47	60.0025.31	Grub screw, brass 3/8M Npt (1)	1					10
21	10.3072.60	O-ring, 1,78x21,95 mm Ni 85	2	.				10	50	60.2423.31	Nozzle, 3,5 mm brass x Bsp (1) **	1					10
22	10.4055.00	Back-up ring, 9,2x11,2x2 mm	1	.				10	50	60.2424.31	Nozzle, 4,5 mm brass x Bsp (2) **	1					10
23	60.2410.31	9,2 mm brass piston ring	1					3	50	60.2428.31	Nozzle, 3,5 mm brass x Npt (2) **	1					10
24	10.4059.00	Back-up ring, 20x22x2 mm	1	.				10	50	60.2429.31	Nozzle, 4,5 mm brass x Npt (2) **	1					10
25	60.2407.51	Sst pin	1					5	60	10.4409.00	Seal frame >Pulsar/zero **	1					1
26	60.2409.31	7 mm brass piston ring	1					3									

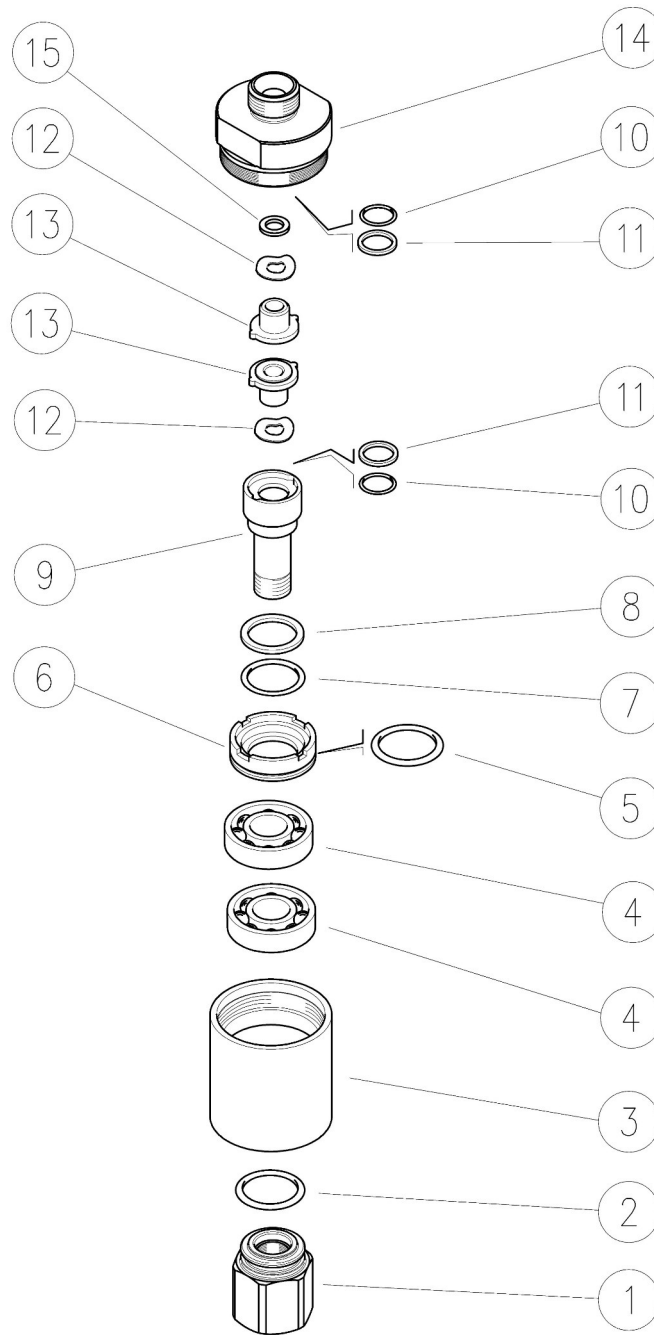
** On request

Kit	P/N	Description	
K1	60.2456.24	Spares kit -Puls.Zero+PR5, 18x1pcs.	1

(1) 60.2450.00 (2) 60.2450.50

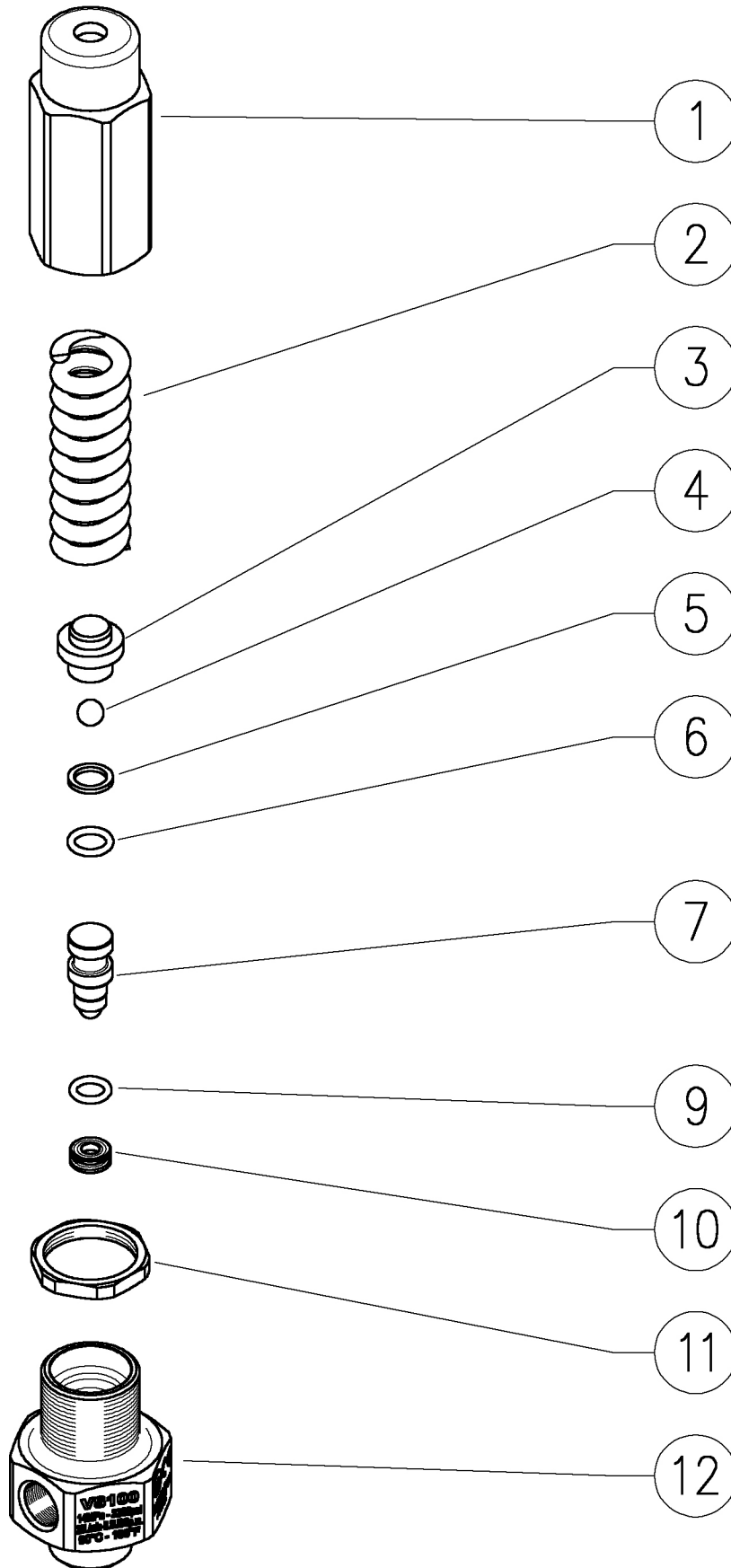
26.1412.40 SW35 Swivel,ball-bear. 3/8 Bsp M-F
 26.1412.43 SW35 Swivel,ball-bear. 3/8 Bsp M-M


26.1412.45 SW35 Swivel,ball-bear. 3/8 Bsp F-F
 26.1412.48 SW35 Swivel,ball-bear. 3/8 Bsp F-M



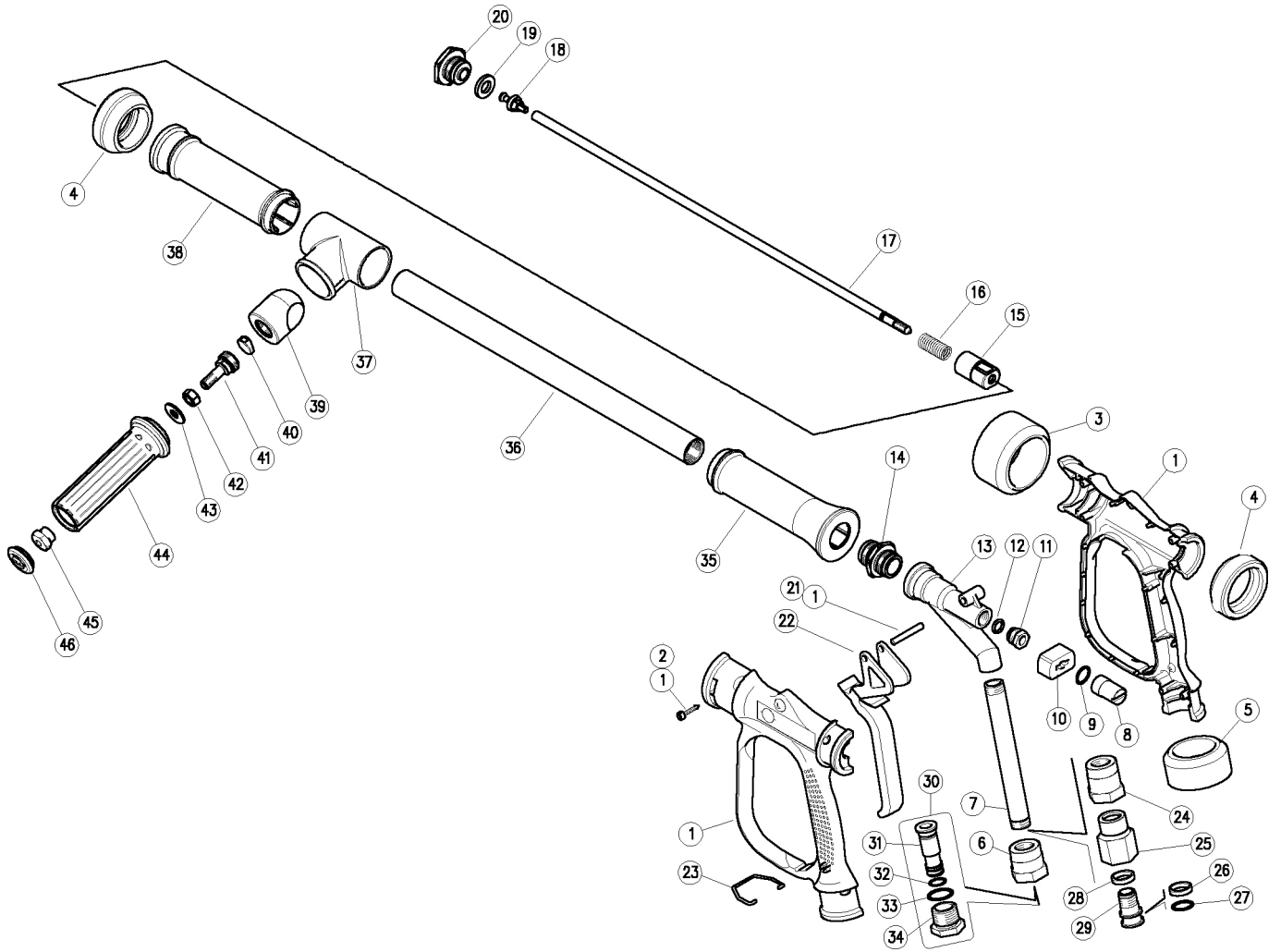
Pos.	P/N	Description	Q.ty	K1	K2	K3	K4		Pos.	P/N	Description	Q.ty	K1	K2	K3	K4	
1	26.1409.31	Coupling, 3/8-Bsp-F brass	1					5	9	26.1402.51	Rotating pin, M12, stainless steel	1					5
1	26.1407.31	Coupling, 3/8 Bsp M brass nic.pl. (1,2)	1					5	10	10.3057.10	O-Ring 1,78 x 9,25 mm Viton	2					10
2	10.3180.10	O-ring, 2,62x15,08 mm vi.	1					10	11	10.4010.60	Back-up ring, opn. 10x12,6x1,2 mm	2					10
3	26.1404.31	Body, M30 x 1" F nickel-plated brass	1					5	12	10.1110.51	Sst ring	2					5
4	11.4410.32	Sst.ball-bearing, 12x32x10 mm	2					3	13	26.1406.83	Seat	2					3
5	10.3077.10	O-ring, 1,78x28,3 mm Vi 70	1					10	14	26.1410.31	Coupling, 3/8 Bsp-M brass (3,1)	1					5
6	26.1403.31	Spacer ring, brass	1					5	14	26.1408.31	Coupling, 3/8 Bsp-F brass (4,2)	1					5
7	10.3068.25	O-Ring, 1,78x17,17 mm s.	1					10	20	14.3564.00	Washer, 5,3x9,5x1 mm brass	1					10
8	10.4012.60	Seal Ring 16,2x20,5x1,5 PTFE	1					10									

(1) 26.1412.43 (2) 26.1412.48 (3) 26.1412.40 (4) 26.1412.45




Pos.	P/N	Description	Q.ty	K1	K2	K3	K4	
1	60.0475.31	Valve regulating knob, M24 brass	1					10
2	60.0477.51	Spring, 4,5x14,9x60 mm sst..	1					5
3	60.0474.51	Ball holding piston, sst.	1					5
4	14.7421.50	Ball, 1/4" Sst.	1					10
5	10.4008.00	Back-up ring, opn. 8x11x1,2 mm	1					10
6	10.3055.10	O-ring, 1,78x7,66 mm Vi 70	1					10

Pos.	P/N	Description	Q.ty	K1	K2	K3	K4	
7	60.0478.21	Piston Ai316 Sst.+ball	1					10
9	10.3052.10	O-ring, 1,78x6,76 mm vi	1					25
10	60.0472.60	Seat, 4,2mm Ai316	1					3
11	60.0476.31	Ring nut, M24x1,25 brass	1					10
12	60.0471.60	Housing -VS100- 1/4 Bsp FF sst.Ai316	1					1



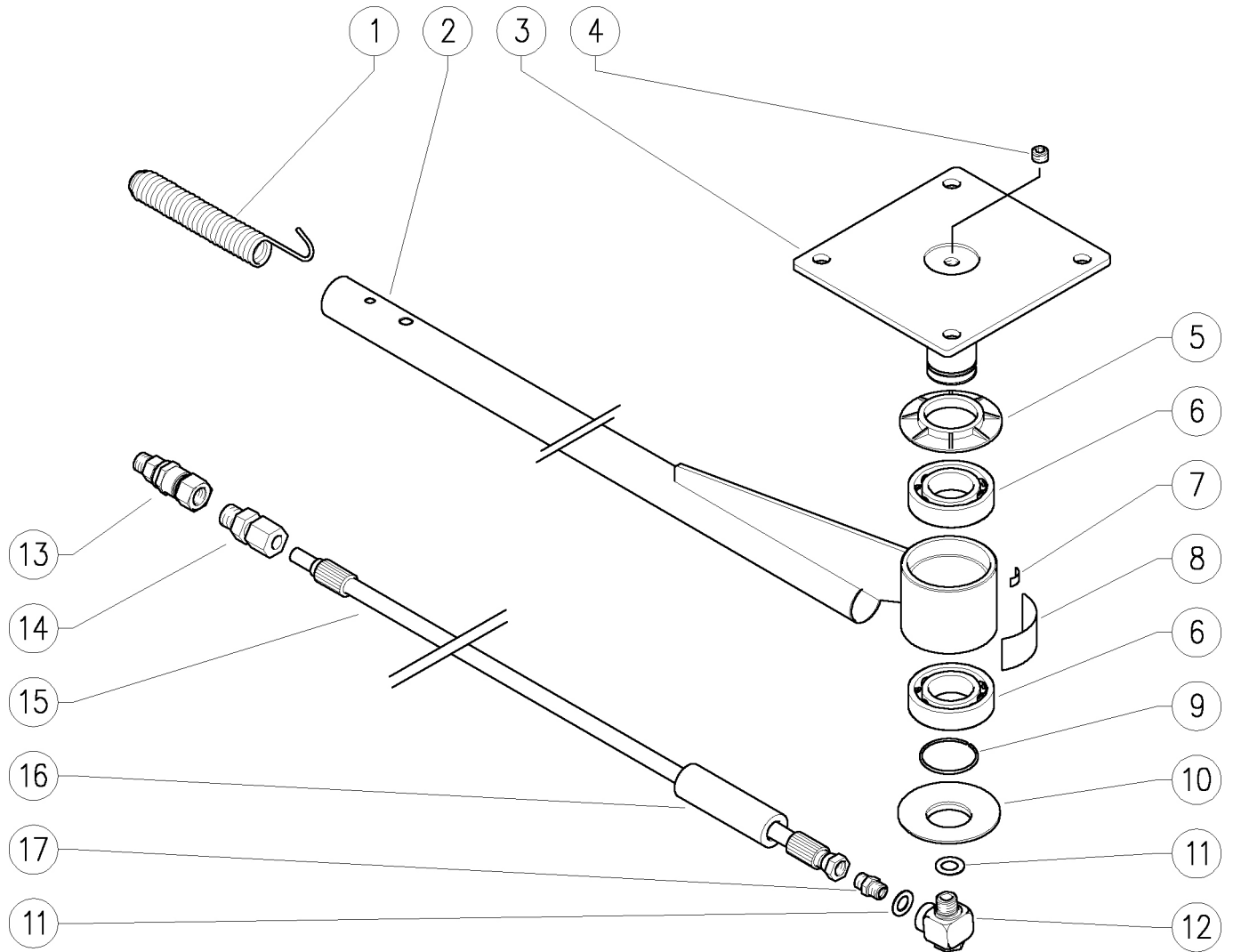
Pos.	P/N	Description	Q.ty	K1	K2	K3	K4	
1	30.6420.24	Casing-kit -RB65-60L +screws, Sst. (1)	1					1
1	30.6491.24	Casing-kit -RB65-60L red +screws, Sst. (2)	1					1
2	16.3075.51	S/tapping screw, DIN7981 3,5x18 mm Sst.	6					10
3	30.6412.84	Front guard ring, TPEs blue (1)	1					5
3	30.6467.84	Front guard ring, TPEs red (2)	1					5
4	30.6413.84	Back guard ring, TPEs blue (1)	2					5
4	30.6466.84	Back guard ring, TPEs red (2)	2					5
5	30.6414.84	Lower guard ring, TPEs blue (1)	1					5
5	30.6469.84	Lower guard ring, TPEs red (2)	1					5
6	30.6407.31	Coupl., M16x1,5F-1/2F Bsp brass	1					3
7	30.6409.36	Tube, M16x1,5 FF 130 mm brass	1					5
8	30.6418.31	Regulating pin, M7	1					5
9	10.3091.10	O-ring, 2x14 mm Vi 70	1	•				10
10	30.6404.84	Sliding block, PA blue (1)	1					5
10	30.6443.84	Sliding block, PA red (2)	1					5
11	30.6417.31	Plug, M14x1 M brass	1					5
12	10.3170.10	O-ring, 2,62x7,6 mm Vi 70	1	•				10
13	30.6405.35	Housing -RB65, brass	1					3
14	30.6475.31	Coupler M22 MM brass	1					3
15	30.6472.31	Spring spacer, brass	1					3
16	30.6410.51	Spring, 1,8x12,8x40 mm Sst.	1					10
17	30.6473.31	Brass pin 451 mm	1					3
18	30.6471.31	Piston -RB65, 14 mm, brass	1					3
19	30.6408.85	Front seal, 11x20,5x3 mm FKM80	1	•				10
20	30.6403.31	Front Coupl. -RB65, brass 60L/min	1					5
21	30.6428.31	Parallel pin, 5x38 mm brass	1					5
22	30.6411.84	Trigger -RB65, PA blue (1)	1					10
22	30.6444.84	Trigger -RB65, PA red (2)	1					5
23	30.6415.51	Trigger retainer, Sst.	1					5

Pos.	P/N	Description	Q.ty	K1	K2	K3	K4	
24	30.6426.31	Coupl. -SW, M15x1F-M16x1,5F	1					3
25	30.6427.31	Coupl. -SW, 1/2F Bsp	1					5
26	26.1075.85	Bushing, open 15,5x19x4 mm PTFE	1					5
27	10.3092.10	O-ring, 2x15 mm Vi 70	1					10
28	26.1074.85	Bushing, 15,5x19x4 mm PTFE	1					5
29	26.1072.31	Pin, M15x1-19 mm brass	1					10
30	30.6430.00	Swivel, brass -RB65+13mm h.barb	1					10
31	30.6431.31	13mm hose barb, brass	1					3
32	10.3060.00	O-ring, 1,78x12,42 mm	1					10
33	10.3092.90	O-ring, 2x19 mm	1					10
34	30.6432.31	Coupl. -SW, 1/2M Bsp brass	1					3
35	30.6461.84	Front external cover -RB65, plastic, blue (1)	1					3
35	30.6462.84	Front external cover -RB65, plastic, red (2)	1					3
36	30.6477.36	Tube, D.24 mm -L.350mm brass	1					3
37	30.6489.84	T-Protection -RB65, plastic, blue (1)	1					3
37	30.6490.84	T-Protection -RB65, plastic, red (2)	1					3
38	30.6448.84	External protection -RB65 plastic, blue (1)	1					5
38	30.6449.84	External protection -RB65 plastic, red (2)	1					3
39	30.6474.31	Tube fastener, brass	1					3
40	30.6486.84	Spacer, plastic	1					3
41	30.6476.51	Screw M8-M18 Stainless steel	1					3
42	11.4574.11	Hex. nut, M8, Sst.	1					10
43	14.3650.00	Washer, 8,4x17x1,6 mm Sst.	1					10
44	30.6487.84	Knob, 32x115 mm PP blue (1)	1					3
44	30.6488.84	Knob, 32x115 mm PP red (2)	1					3
45	41.0410.31	Special nut, M8 brass	1					5
46	30.6478.84	Plug, Knob PP blue (1)	1					5
46	30.6479.84	Plug, Knob PP red (2)	1					3

Kit	P/N	Description	
K1	30.6422.24	Seals spares kit -RB65, 3x1pcs.	1

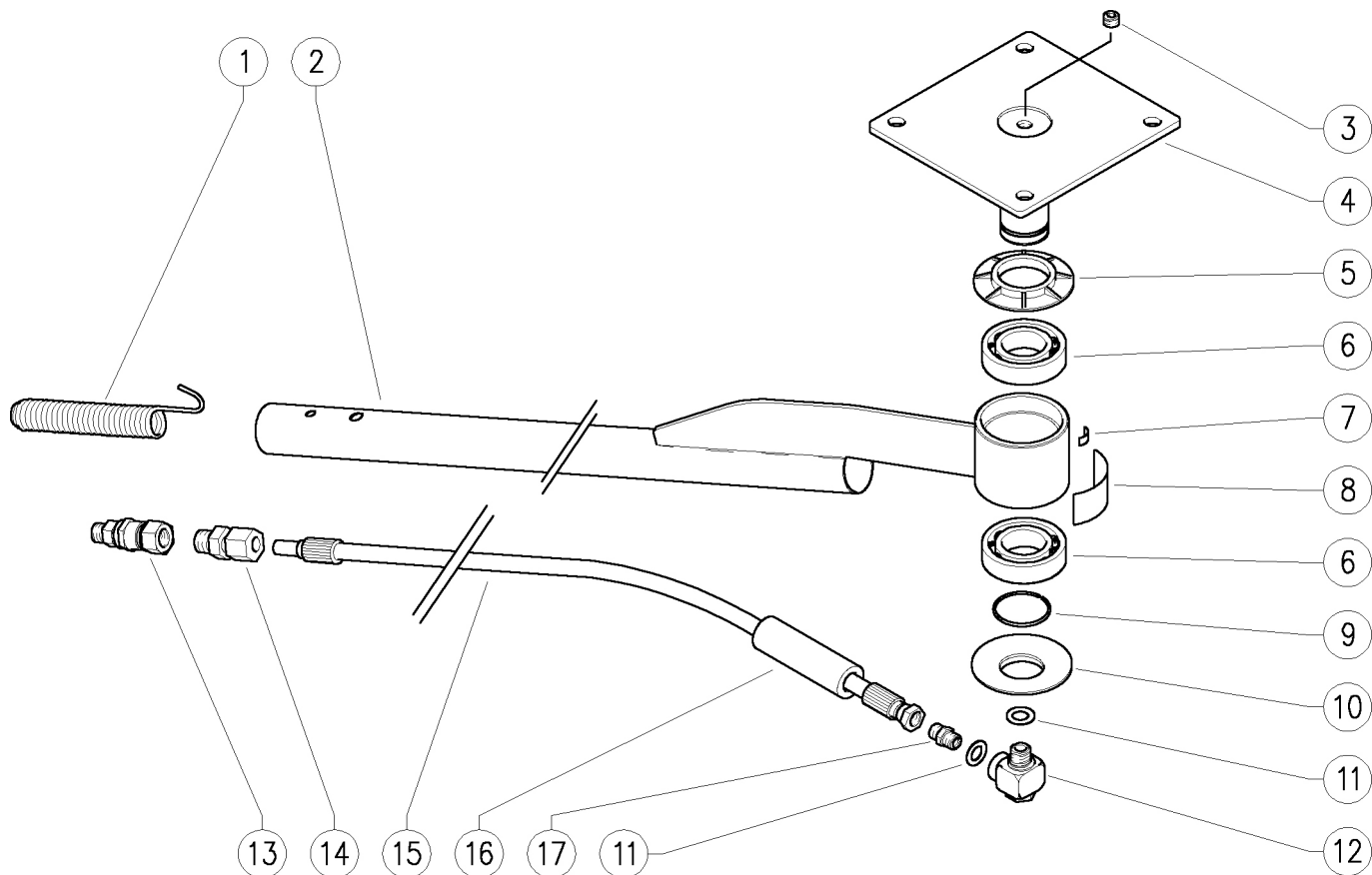
(1) 30.6465.00 (2) 30.6468.00

28.3370.00 BTD-S 1815 Strgt.ceiling boom-1 spring



Pos.	P/N	Description	Q.ty	K1	K2	K3	K4		Pos.	P/N	Description	Q.ty	K1	K2	K3	K4	
1	28.3003.51	Front spring, 150 mm Sst.	1					5	10	28.3004.84	Guard ring, PVC black	1					10
2	28.3352.21	BTDiE boom 1630 mm Sst	1					1	11	14.3813.22	Washer, 13,2x22x1,5 mm alu.	2					25
3	28.3302.21	BTE Ceiling mount pin	1					1	12	26.1350.20	SW90-E Swivel 90°, sst sc.1/4Bsp MF Epdm	1					5
4	28.0364.31	Plug, int.hex. 1/4 Bspt brass	1					10	13	26.1250.40	SW25-E Swivel,ball-bear. 3/8BspFM-Epdm	1					5
5	28.3001.84	Guard ring, PVC black	1					10	14	13.5023.00	Ring fitting, 3/8M Bspt-d.12F	1					5
6	11.4439.68	Ball-bearing, 40x68x15 mm - 2RS1	2					2	15	16.0510.17	Hose, 1/4F Bsp-12 1,75m	1					1
7	15.3854.18	Label 30x50 /3 'O-Ring >Epdm '	1					5	16	28.3153.85	Hose protector 170 mm	1					10
8	15.3867.00	Label 30x50 "SS Boom"	1					1	17	13.5006.00	Nipple,z.pl. 1/4MM Bsp	1					25
9	28.3002.51	Snap ring, 2,5x36,8 mm Sst.	1					10									

28.3320.00 BTi-S 1815 Inclin.Ceiling boom-1 spring

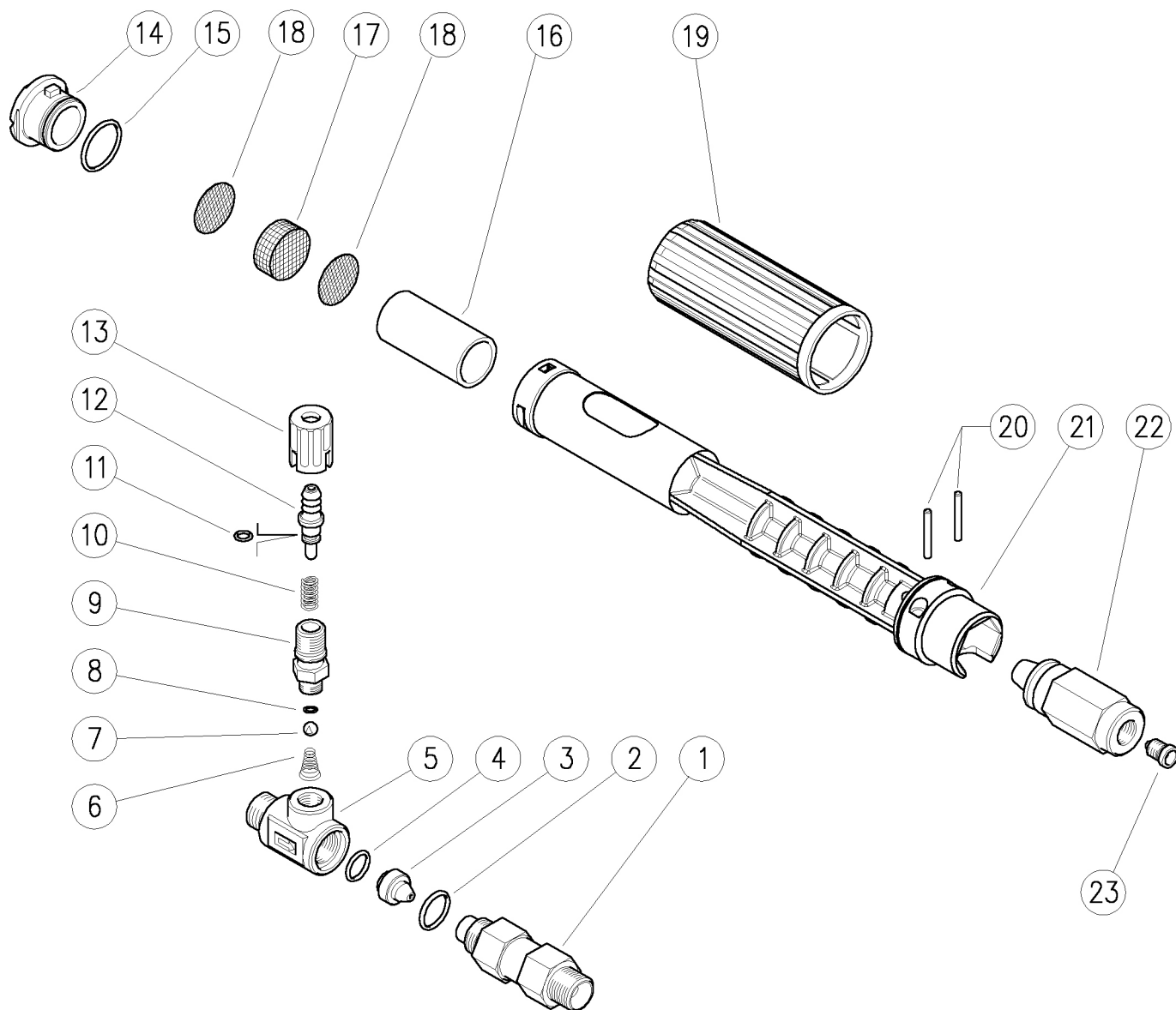


Pos.	P/N	Description	Q.ty	K1	K2	K3	K4	
1	28.3003.51	Front spring, 150 mm Sst.	1					5
2	28.3305.21	BTE Welded boom, 1630 mm Sst.	1					1
3	28.3302.21	BTE Ceiling mount pin	1					1
4	28.0364.31	Plug, int.hex. 1/4 Bspt brass	1					10
5	28.3001.84	Guard ring, PVC black	1					10
6	11.4439.68	Ball-bearing, 40x68x15 mm - 2RS1	2					2
7	15.3854.18	Label 30x50 /3 'O-Ring >Epdm '	1					5
8	15.3867.00	Label 30x50 "SS Boom"	1					1
9	28.3002.51	Snap ring, 2,5x36,8 mm Sst.	1					10

Pos.	P/N	Description	Q.ty	K1	K2	K3	K4	
10	28.3004.84	Guard ring, PVC black	1					10
11	14.3813.22	Washer, 13,2x22x1,5 mm alu.	2					25
12	26.1350.20	SW90-E Swivel 90°, sst sc.1/4Bsp MF Epdm	1					5
13	26.1250.40	SW25-E Swivel,ball-bear. 3/8BspFM-Epdm	1					5
14	13.5023.00	Ring fitting, 3/8M Bspt-d.12F	1					5
15	16.0510.17	Hose, 1/4F Bsp-12 1,75m	1					1
16	28.3153.85	Hose protector 170 mm	1					10
17	13.5006.00	Nipple,z.pl. 1/4MM Bsp	1					25

21.0600.12 Injector,adjust. 3/8MM Bsp 1,2mm
 21.0600.14 Inject.,adj. 3/8MM Bsp 1,4mm extrn.red
 21.0600.18 Inject.,adj. 3/8MM Bsp 1,8mm extrn.blue
 21.0600.21 Inject.,adj. 3/8MM Bsp 2,1mm extrn.blue
 25.1845.18 LS12asp.e Foamer 1,8mm+ext.inje.1,2-black

25.1845.21 LS12asp.e Foamer 2.1mm+ext.inject.1,4-red
 25.1845.25 LS12asp.e Foamer 2.5mm+ext.inject.1,8-blue
 25.1851.18 LS12 asp.e Foam lance exter.suct. 1,8-black
 25.1851.21 LS12 asp.e Foam lance exter.suct. 2,1mm
 25.1851.25 LS12 asp.e Foam lance exter.suct. 2,5-blue



Pos.	P/N	Description	Q.ty	K1	K2	K3	K4
1	21.0602.31	Tapered coupling, 3/8MM Bsp	1				3
2	10.3179.10	O-ring, 2,62x13,94 mm Vi 70	1				10
3	21.0507.51	Inject.nozzle, D.15 - 1,2 mm Sst. (1)	1				5
3	21.0508.51	Inject.nozzle, D.15 - 1,4 mm Sst. (2)	1				5
3	21.0504.51	Inject.nozzle, D.15 - 1,8 mm Sst. (3)	1				5
3	21.0505.51	Inject.nozzle, D.15 - 2,1 mm Sst. (4) **	1				5
3	21.0506.51	Inject.nozzle, D.15 - 2,3 mm Sst. **	1				5
4	10.3174.10	O-ring, 2,62x9,93 mm Vi 70	1				10
5	21.0601.35	Inject.housing, 3/8MF Bsp brass	1				3
6	21.0160.51	Tapered spring, Sst. -inject.	1				10
7	14.7420.01	Ball, 7/32" Sst. Aisi 316	1				10
8	10.3049.00	O-ring, 1,78x5,28 mm Vi 70	1				10
9	21.0173.31	Coupling, M12x1-1/4M Bsp brass	1				10
10	21.0158.51	Spring, 0,8x7x15 mm Sst.	1				10
11	10.3043.01	O-ring, 1,78x4,48 mm Vi 70	1				10
12	21.0155.99	Hose barb, d.8 mm brass+o-ring	1				3
13	21.0171.84	Inject.knob, 1/4F Bsp black (1)	1				10

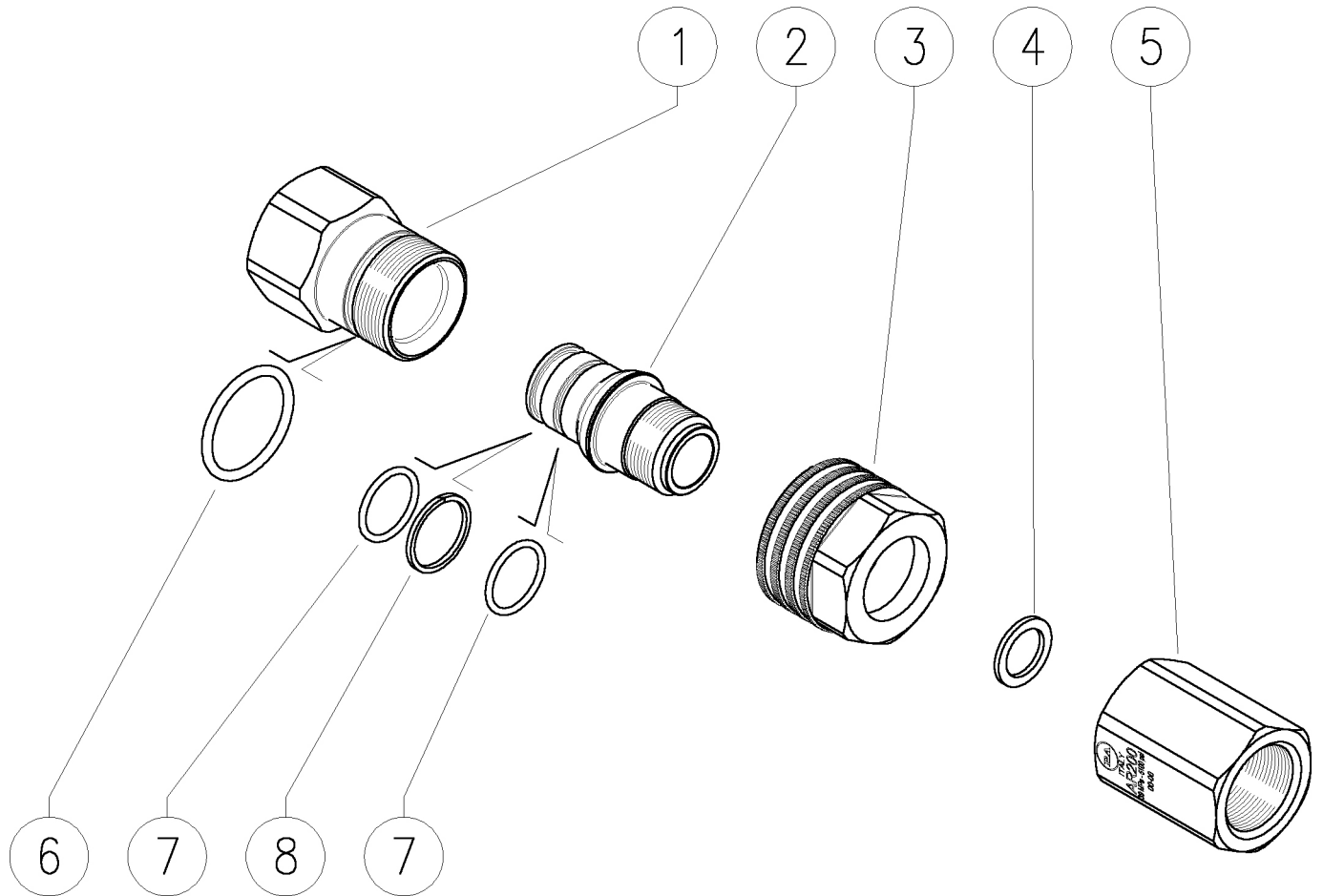
Pos.	P/N	Description	Q.ty	K1	K2	K3	K4
13	21.0174.84	Inject.knob, 1/4F Bsp red (2)	1				10
13	21.0178.84	Inject.knob, 1/4F Bsp blue (4,3)	1				10
14	25.1802.84	Front nozzle -LS10-12 black (1)	1				5
14	25.1814.84	Front nozzle -LS10-12 red (2)	1				5
14	25.1827.84	Front Nozzle LS10 plastic blue (3)	1				5
15	10.3072.10	O-ring, 1,78x20,35 mm Vi 70	1				10
16	25.1831.85	Spacer ring -LS12	1				5
17	25.1808.51	Pressed strainer, 25x10mm Sst.	1				10
18	29.0802.53	Diaphragm, 25x0,5 mm Sst.	2				10
19	25.1805.84	Knob -LS12	1				5
20	30.0509.31	Parallel pin, 5x24,5 mm brass	2				10
21	25.1801.84	Lance housing -LS12	1				5
22	25.1836.31	Injector housing -LS12asp.e	1				3
23	21.0007.51	Nozzle, M8x1 - 1,5 mm Sst.	1				10
23	21.0002.51	Nozzle, M8x1 - 1,8 mm Sst. (1)	1				10
23	21.0004.51	Nozzle, M8x1 - 2,1 mm Sst. (2)	1				10
23	21.0009.51	Nozzle, M8x1 - 2,5 mm Sst. (3)	1				10

** On request

(1) 25.1845.18 (2) 25.1845.21 (3) 25.1845.25 (4) 21.0600.21

26.0840.60 AR200 A M30-21,5mm screw.nippl.,sst-3/4F

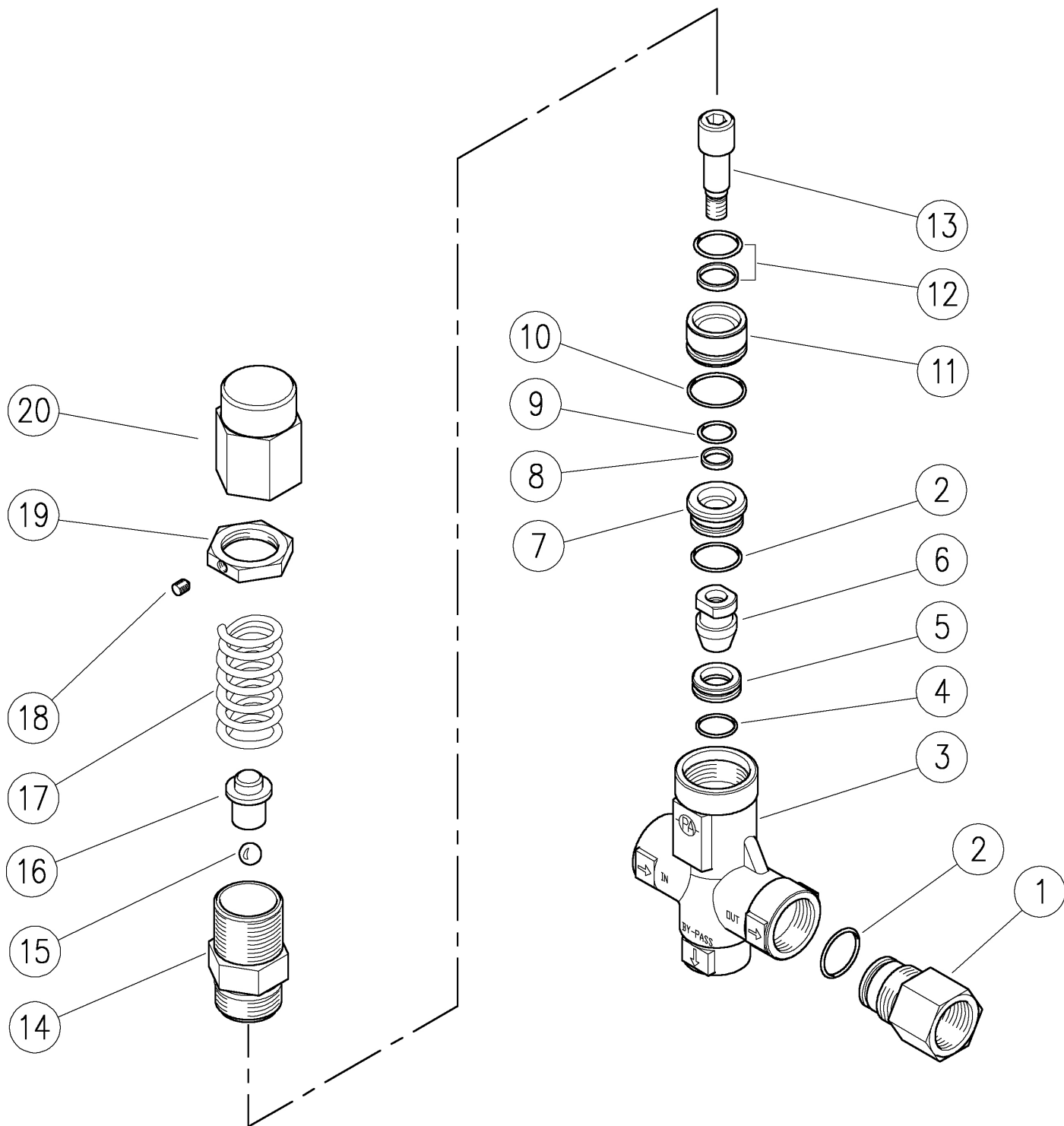
26.0850.60 AR200 B M30-3pcs 21,5mm scr.cpl,sst-3/4F



Pos.	P/N	Description	Q.ty	K1	K2	K3	K4		Pos.	P/N	Description	Q.ty	K1	K2	K3	K4	
1	26.0841.51	Fitt.-AR200, M30-21,5mm-3/4F Bsp sst (1)	1					2	5	26.0854.51	Reduct.sst M22 F -3/4F Bsp F	1					2
2	26.0852.51	Plug, 21,5mm-M22 Sst.	1					2	6	10.3205.10	O-ring, 2,62x26,64 mm Vi 70 (1)	1					10
3	26.0851.51	Hand nut -AR200, M30-23,5mm sst	1					2	7	10.3068.10	O-ring, 1,78x17,17 mm Vi 70	2					10
4	14.3911.80	Washer, 13,5x19x1,5 mm Cu	1					10	8	10.4057.00	Back-up ring, 18,7x21,5x1,5 mm	1					10

(1) 26.0840.60

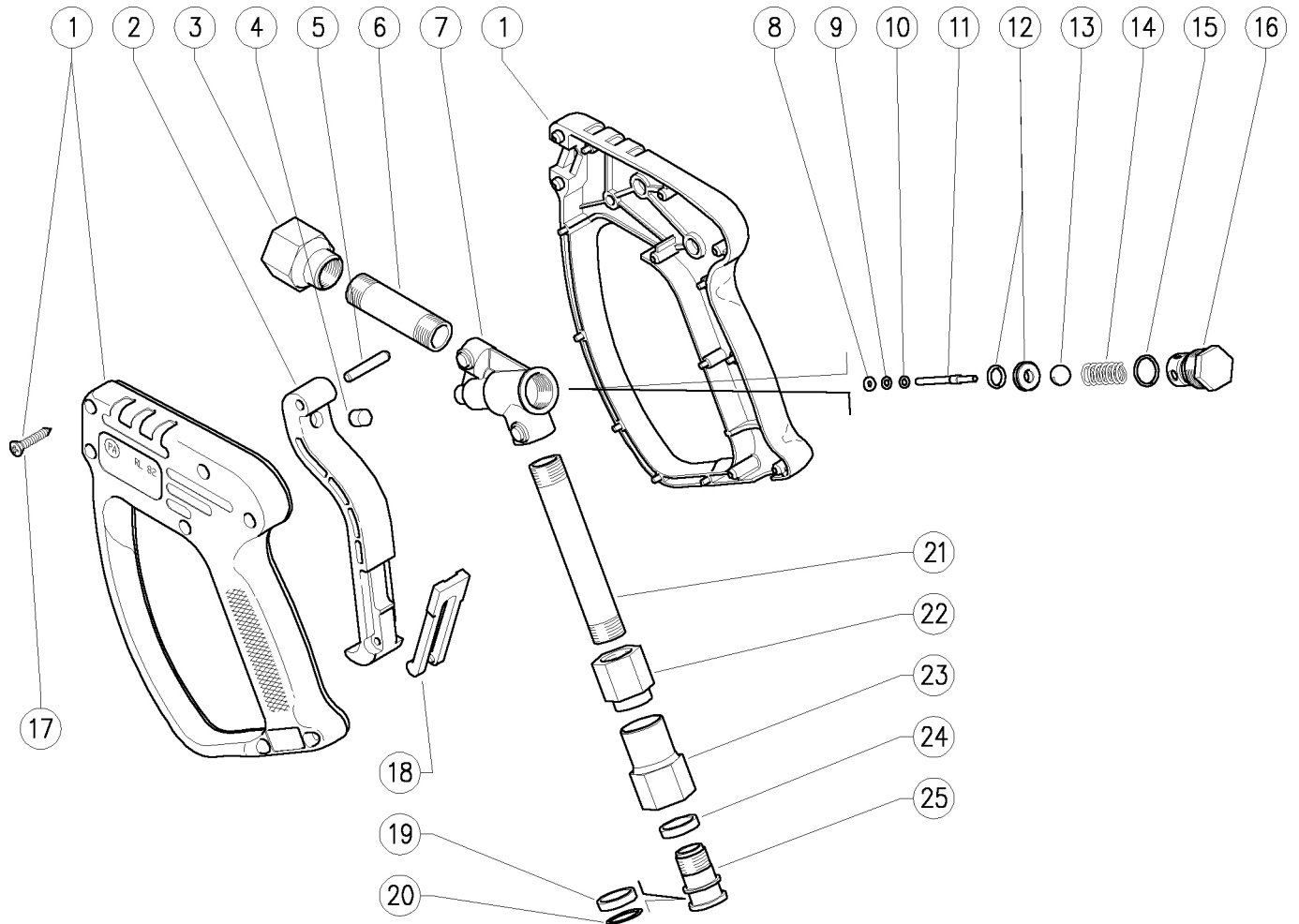
60.1540.00 VS26 Ai316 safety valv. 1/2F Bsp



Pos.	P/N	Description	Q.ty	K1	K2	K3	K4
1	60.1404.60	Shutter coupl., 1/2F Bsp aisi316 Sst.	1				3
2	10.3068.10	O-ring, 1,78x17,17 mm Vi 70	2				10
3	60.1401.60	Housing -VB-VRPP26, 1/2Bsp FF aisi316	1				3
4	10.3066.10	O-ring, 1,78x15,6 mm Vi 70	1				10
5	60.1514.60	Seat 10,8x19mm St.Steel	1				3
6	60.1512.60	Shutter pin, Sst.	1				3
7	60.1410.60	Spacer ring, 10x23,4x10,5mm aisi316 Sst.	1				3
8	10.4022.00	Back-up ring, 10x12x2 mm	1				5
9	10.3059.10	O-ring, 1,78x11,11 mm Vi 70	1				10
10	10.3072.10	O-ring, 1,78x20,35 mm Vi 70	1				10

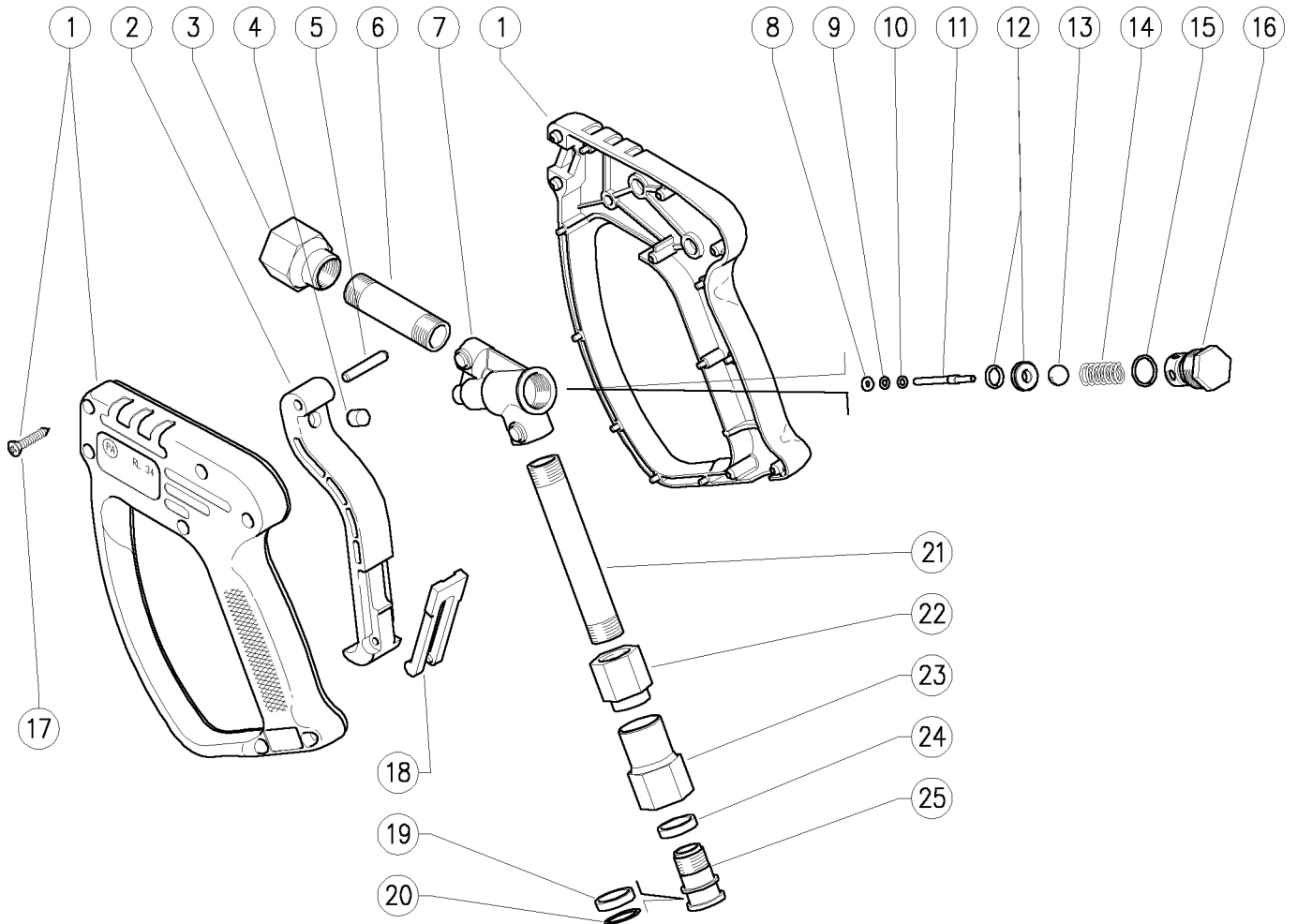
Pos.	P/N	Description	Q.ty	K1	K2	K3	K4
11	60.1409.60	Spacer ring, 10,3x23,5x17,5mm aisi316	1				3
12	10.2029.00	Stem seal, 14x19x2,2 mm +O-ring	1				4
13	60.1411.60	Piston, M8 aisi316 Sst.	1				3
14	60.1406.51	Piston holder, Sst.	1				5
15	14.7443.10	Ball, 11/32" Sst.	1				10
16	60.1405.31	Spring rest pin, brass	1				10
17	60.1407.61	Spring, 5x21,4x49 mm z.pl.	1				25
18	16.2100.00	Set screw, DIN914 M4x4 mm	1				10
19	60.1814.31	Ring nut, M27x1 brass	1				5
20	60.1408.31	Valve regulating nut, M27 brass	1				5

30.2800.00 RL82 sst spr.gun sw5- 1/2F-1/2F Bsp

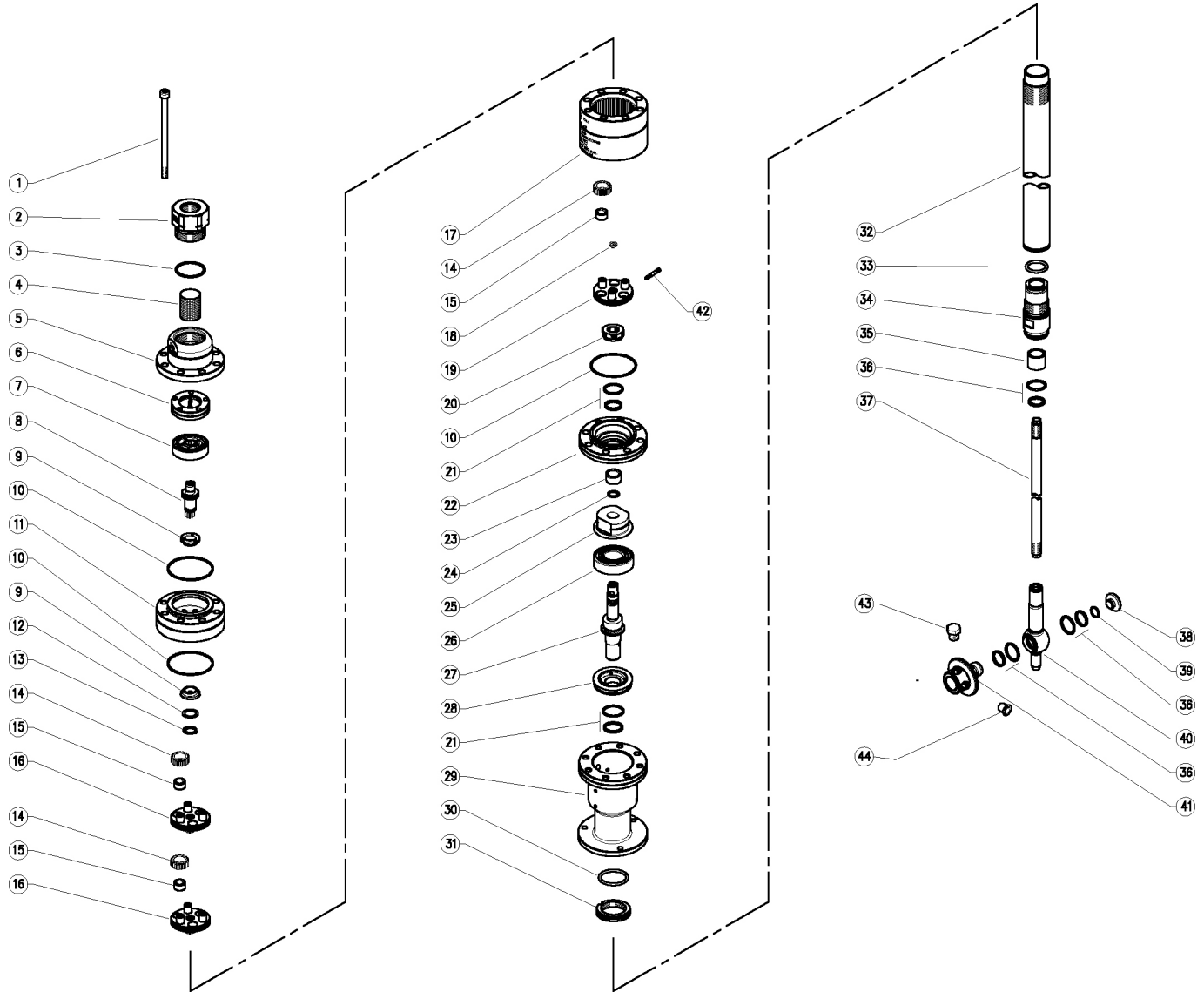


Pos.	P/N	Description	Q.ty	K1	K2	K3	K4	📦	Pos.	P/N	Description	Q.ty	K1	K2	K3	K4	📦
1	30.2805.24	Casing-kit -RL82 +screws, Sst.	1					1	14	30.4108.51	Spring, 1,6x8,8x24 mm Sst.	1					10
2	30.2543.84	Blue trigger RL34-82	1					2	15	10.3060.10	O-ring, 1,78x12,42 mm Vi 70	1	•				10
3	30.3171.51	Coupl., M16x1F-1/2F Bsp Sst.	1					3	16	30.2803.51	Sst. plug M18	1					3
4	30.0675.84	Stop pin, 8x7,1mm PA	1					10	17	16.3075.51	S/tapping screw, DIN7981 3,5x18 mm Sst.	7					10
5	30.2517.31	Parallel pin, 5x27,5 mm brass	1					10	18	30.1515.84	Safety latch, PA blue	1					10
6	30.3180.56	Tube, M16x1 MM 57mm Sst.	1					3	19	26.1075.85	Bushing, open 15,5x19x4 mm PTFE	1	•				5
7	30.2804.55	Sst.housing RL82	1					2	20	10.3092.10	O-ring, 2x15 mm Vi 70	1	•				10
8	10.4018.00	Back-up ring, 3,2x7,5x1,2 mm	1	•				10	21	30.3173.56	Tube, M16x1 MM 96mm Sst.	1					5
9	10.3165.00	O-ring, 2,62x2,84 mm Vi 70	1	•				10	22	30.3181.51	Coupl., M16x1F-M15x1F Sst.	1					3
10	14.3511.00	Washer, 3,2x7x0,5 mm sst.	1					10	23	30.3182.51	Coupl., 1/2F Bsp Sst.	1					3
11	30.2802.51	Sst.plunger D.4x3x L.43mm	1	•				10	24	26.1074.85	Bushing, 15,5x19x4 mm PTFE	1	•				5
12	30.2806.20	Seat, 9mm Sst.+O-ring	1	•				10	25	26.1072.51	Pin, M15x1-19 mm Sst.	1					5
13	14.7461.00	Ball, 13/32" Sst.	1	•				10									
Kit P/N Description 📦																	
K1	30.2905.24	Spares kit -RL34, 9(10)x1pcs.	1					1									

30.2900.00 RL34 brass spr.gun sw5- 1/2F-1/2F Bsp



Pos.	P/N	Description	Q.ty	K1	K2	K3	K4	Pos.	P/N	Description	Q.ty	K1	K2	K3	K4								
1	30.2903.24	Casing-kit -RL34 +screws, Sst.	1					1	14	30.4108.51	Spring, 1,6x8,8x24 mm Sst.	1				10							
2	30.2543.84	Blue trigger RL34-82	1					2	15	10.3060.10	O-ring, 1,78x12,42 mm Vi 70	1	•			10							
3	30.3171.31	Coupl., M16x1F-1/2F Bsp brass	1					3	16	30.2803.31	Spring plug M18 brass	1				3							
4	30.0675.84	Stop pin, 8x7,1mm PA	1					10	17	16.3075.51	S/tapping screw, DIN7981 3,5x18 mm Sst.	7				10							
5	30.2517.31	Parallel pin, 5x27,5 mm brass	1					10	18	30.1510.84	Safety latch, PA red	1				10							
6	30.3180.36	Tube L.57mm M16x1mm brass	1					3	19	26.1075.85	Bushing, open 15,5x19x4 mm PTFE	1	•			5							
7	30.2901.35	Brass housing RL34	1					2	20	10.3092.10	O-ring, 2x15 mm Vi 70	1	•			10							
8	10.4018.00	Back-up ring, 3,2x7,5x1,2 mm	1	•				10	21	30.3173.36	Tube L.96mm M16x1 mm brass	1				5							
9	10.3165.00	O-ring, 2,62x2,84 mm Vi 70	1	•				10	22	30.3181.31	Coupling M15xM16 Brass	1				3							
10	14.3511.00	Washer, 3,2x7x0,5 mm sst.	1					10	23	30.3182.31	Coupling 1/2 F Bsp, nickel-plated brass	1				3							
11	30.2802.51	Sst.plunger D.4x3x L.43mm	1	•				10	24	26.1074.85	Bushing, 15,5x19x4 mm PTFE	1	•			5							
12	30.2806.20	Seat, 9mm Sst.+O-ring	1	•				10	25	26.1072.31	Pin, M15x1-19 mm brass	1				10							
13	14.7461.00	Ball, 13/32" Sst.	1	•				10															
<table border="1"> <thead> <tr> <th>Kit</th> <th>P/N</th> <th>Description</th> <th>Q.ty</th> </tr> </thead> <tbody> <tr> <td>K1</td> <td>30.2905.24</td> <td>Spares kit -RL34, 9(10)x1pcs.</td> <td>1</td> </tr> </tbody> </table>																Kit	P/N	Description	Q.ty	K1	30.2905.24	Spares kit -RL34, 9(10)x1pcs.	1
Kit	P/N	Description	Q.ty																				
K1	30.2905.24	Spares kit -RL34, 9(10)x1pcs.	1																				



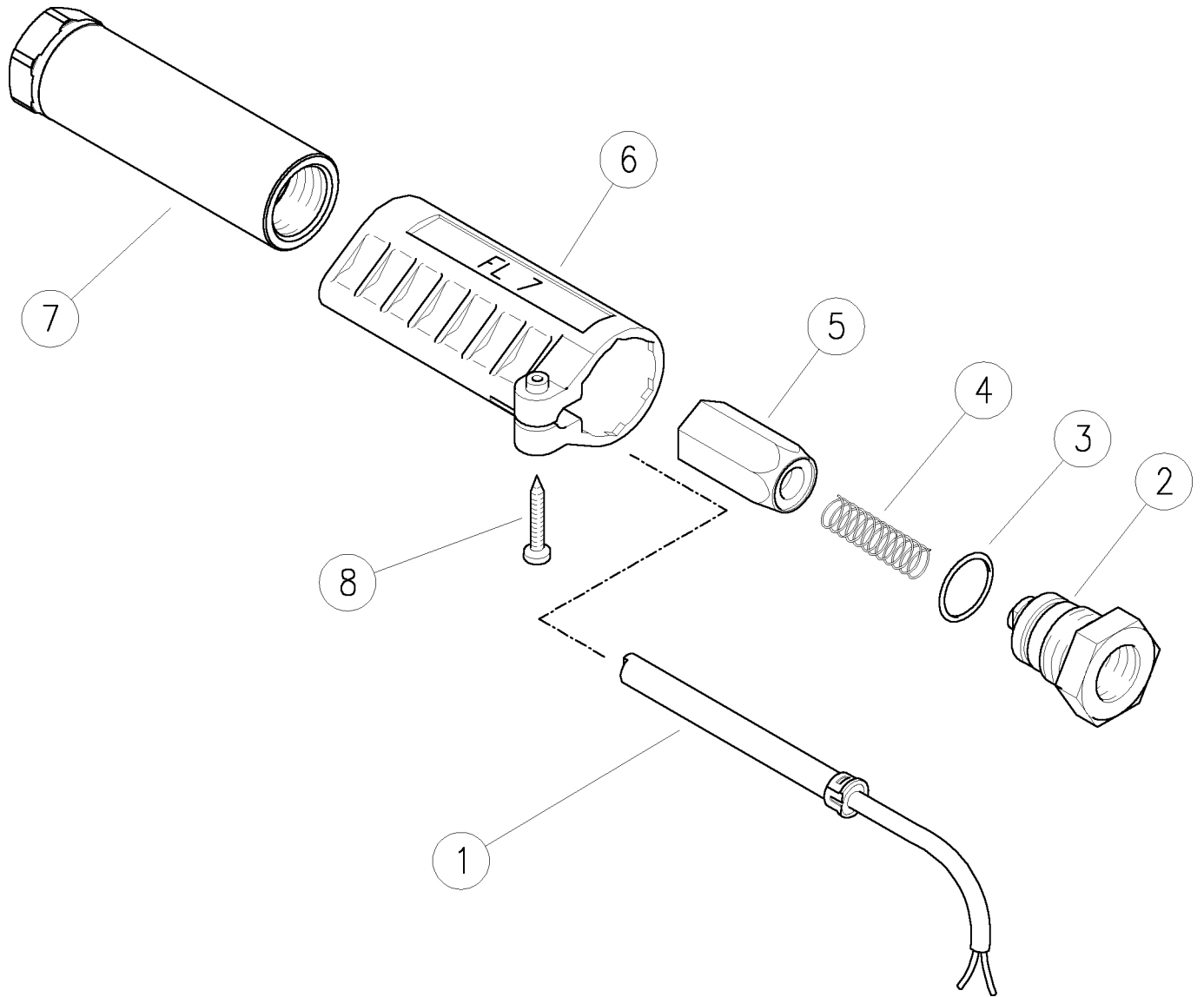
Pos.	P/N	Description	Q.ty	K1	K2	K3	K4
1	16.1910.00	Screw, DIN912 M6x100 mm Sst.	8				10
2	80.0813.60	Inlet coupl., 1/2Bsp F Sst.	1				3
3	10.3077.19	O-Ring, 1,78x28,3 mm Vi 70-Nsf	1				5
4	80.0820.63	Net, 21,5x26,5 mm Ai316 Sst.	1				3
5	80.0803.60	Inlet housing, Sst.	1				1
6	80.0801.60	Ring injector, 6x3,4 mm Sst. (1)	1				1
6	80.0838.60	Ring injector, 8x3,4 mm Sst.	1				1
7	80.0512.84	Turbine, plast.	1				3
8	80.0834.21	Geared shaft, Sst.	1				1
9	80.0548.84	Bushing ring	2				3
10	10.3034.19	O-Ring, 1,5x45 mm Vi 70-Nsf	3				5
11	80.0811.60	Sst. inlet flange	1				1
12	80.0814.53	Shim ring, Sst.	1				5
13	10.0999.60	Snap ring, E 12 Sst.	1				10
14	80.0821.60	Planetary gear, z.24 Ai316	9				3
15	80.0822.84	Bushing, . 8x12mm	9				3
16	80.0833.21	Plan. gear holder+3 pins+gear, Sst.	2				1
17	80.0809.60	Ring gear z.60, 3-stage cleaner, sst.	1				1
18	80.0213.84	Shim pin, plast. **	1				3
19	80.0832.21	Plan. gear holder+3 pins, Sst.+1 pin	1				1
20	80.0807.60	Ring nut M12x1 mm Ai316 sst	1				1
21	10.2031.19	Stem seal, 16x21x2,2 mm +O-ring	2				5
22	80.0823.60	Sst. flange	1				1

Pos.	P/N	Description	Q.ty	K1	K2	K3	K4
23	80.0816.60	Seal holding pin, Sst.	1				5
24	10.3019.19	O-Ring, 1,5x9,0 mm Vi 70-Nsf	1				5
25	80.0825.60	Shim ring, Ai316 Sst.	1				1
26	11.4420.42	Ball-bearing, 20x42x12 mm - 2RS1 Sst.	1				2
27	80.0815.60	Propeller shaft, Sst.	1				5
28	80.0826.60	Spacer ring, 16x41,8mm Sst.	1				1
29	80.0827.60	Housing sleeve, Ai316 Sst.	1				1
30	10.3205.19	O-Ring, 2,62x26,24 mm Vi 70-Nsf	1				5
31	80.0804.60	Ring nut, M28x1 Sst.	1				1
32	80.0805.60	Tube, M28x1 M 650mm -Ai316 Sst.	1				1
33	10.3184.10	O-ring, 2,62x18,72 mm Vi 70	1				10
34	80.0802.60	Pinion z.34 Ai316 sst	1				1
35	80.0828.85	Bushing, opn. 19x14,8mm PTFE	1				1
36	10.2031.16	Stem seal, 15 mm +O-ring	3				5
37	80.0806.60	Tube M10 MM 650mm sst.Ai316	1				1
38	80.0819.60	Pin, M10x1mm Sst.	1				1
39	10.3055.10	O-ring, 1,78x7,66 mm Vi 70	1				10
40	80.0818.60	Buffer, Ai316 Sst.	1				5
41	80.0831.21	Nzl hold. pinion, z.57, Ai316 Sst.	1				1
42	80.0808.60	Parallel pin, 3x24,5mm Ai316 **	1				3
43	15.3711.18	Grub screw, 303 Sst. 1/8M Npt **	2				4
44	15.3710.18	Plug, 1/8" Bsp plast.	4				4

** On request

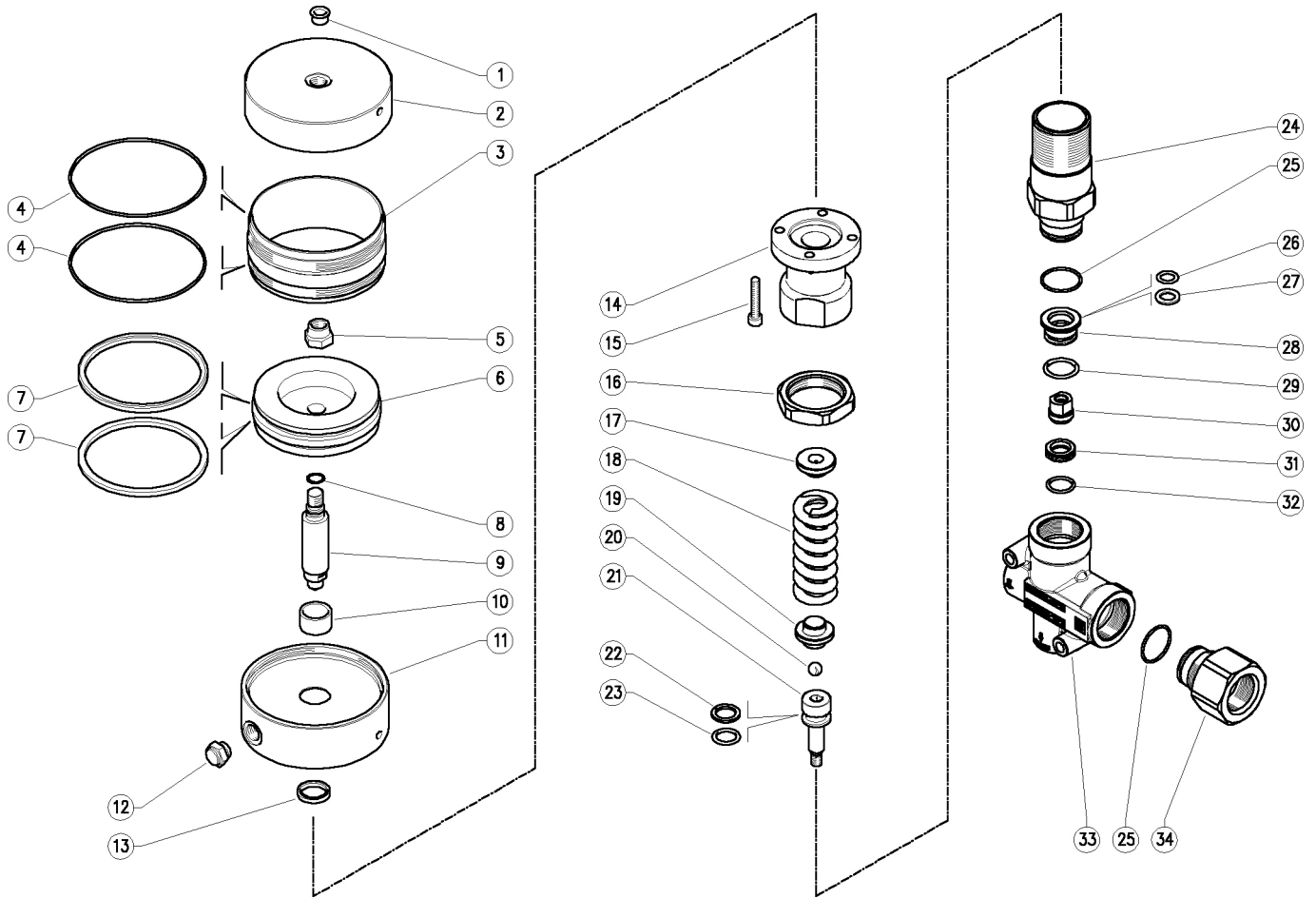
(1) 25.3650.50

28.0450.00 FL7 inox Flow switch 3/8Bsp FF-50MPa

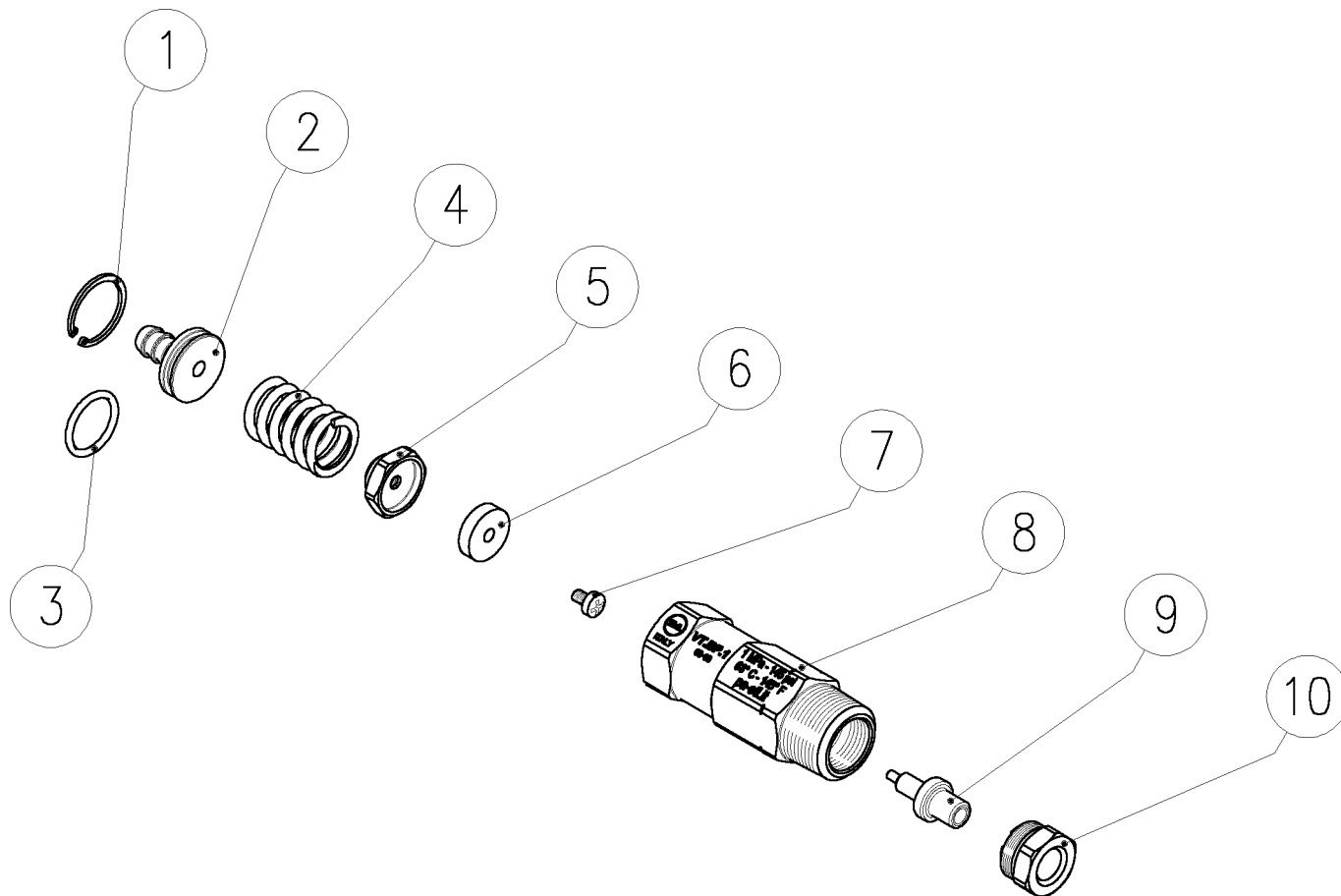


Pos.	P/N	Description	Q.ty	K1	K2	K3	K4		Pos.	P/N	Description	Q.ty	K1	K2	K3	K4	
1	28.0518.23	Feeler, 3A +1250 mm cable	1					5	5	28.0453.23	Sst. magnet holder	1					5
2	28.0456.51	Sst plug M22-3/8 F Bsp	1					3	6	28.0452.84	Flow switch housing, blue	1					5
3	10.3066.01	O-ring, 1,78x15,6 mm Ni 85	1					10	7	28.0451.51	FI/sw. housing, M22x1,5F-3/8F Bsp sst	1					3
4	28.0406.51	Spring, 0,4x8,4x33 mm Sst.	1					5	8	16.3021.18	S/tapping screw, DIN7981 2,5x16 mm	1					10

60.5330.00 VRPP 200-280 regul.valv. 1"F Bsp -air contr.



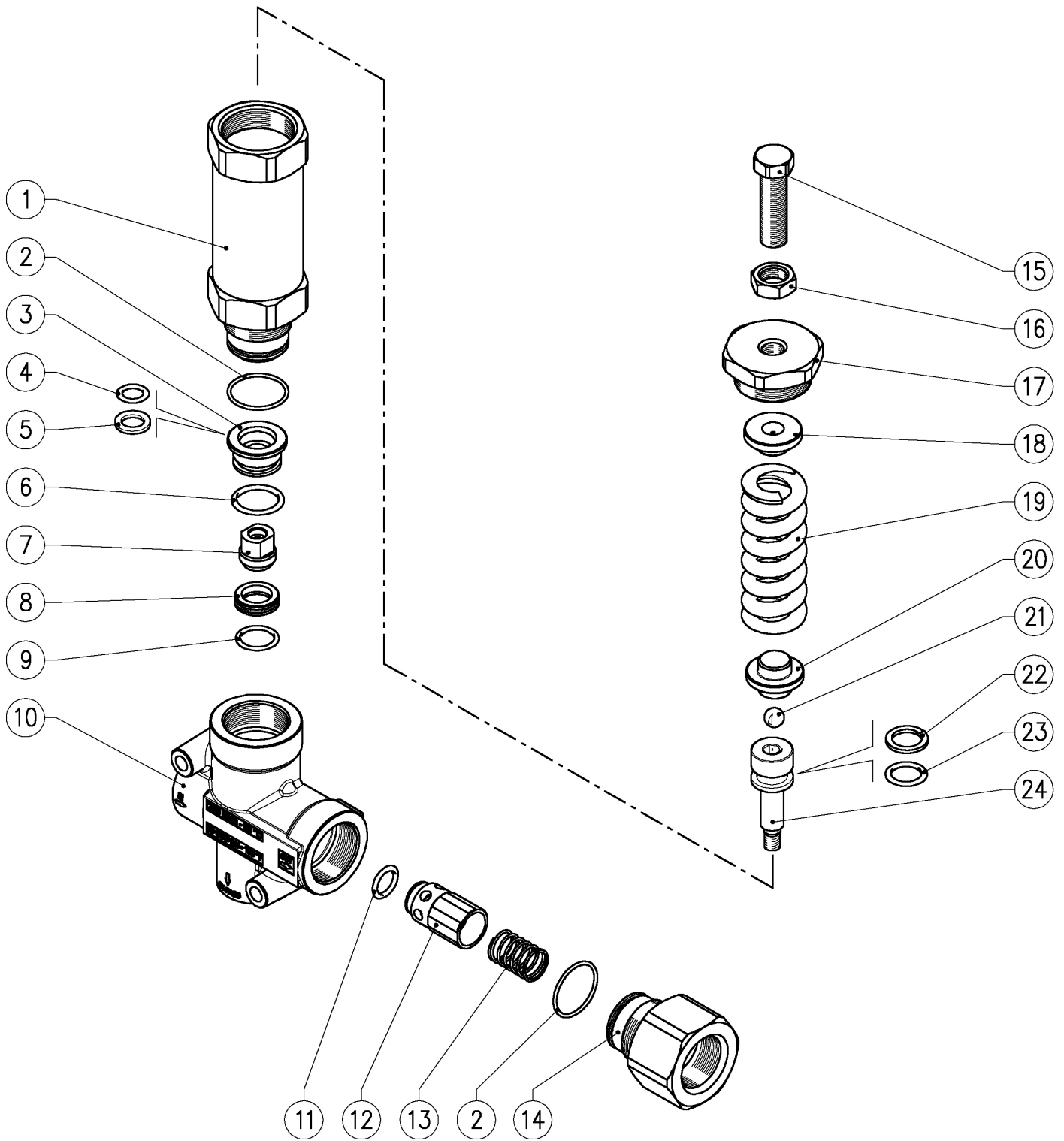
Pos.	P/N	Description	Q.ty	K1	K2	K3	K4		Pos.	P/N	Description	Q.ty	K1	K2	K3	K4	
1	15.3720.14	Plug, 1/4" Bsp plast.	1					4	18	60.4308.61	Spring 8x26x85mm	1					3
2	60.5325.41	Valve bottom, Al	1					3	19	60.4304.31	Spring guide spacer, brass	1					2
3	60.5324.46	Jacket, Al	1					3	20	14.7461.00	Ball, 13/32" Sst.	1					10
4	10.3106.00	O-ring, 2x103 mm	2	•				5	21	60.5004.51	Piston, M8 Sst.	1					2
5	11.4740.00	Hex. nut, M12	1					10	22	10.4081.00	Back-up ring, 15,8x22x2 mm	1	•				10
6	60.5326.41	Piston, Al	1					3	23	10.3237.00	O-ring, 3,53x15,47 mm	1	•				10
7	10.2100.00	Piston seal, 90x100x4,5 mm	2	•				5	24	60.4331.31	Spring holder M45	1					1
8	10.3058.01	O-ring, 1,78x10,82 mm	1	•				10	25	10.3077.08	O-ring, 1,78x28,3 mm Ni 85	2	•				10
9	60.5321.61	Piston, 20-M12x94 mm	1					3	26	10.3234.00	O-ring, 3,53x10,69 mm	1	•				10
10	60.5323.85	Bushing, opn. 20x24x14,8 mm PTFE	1	•				3	27	10.4080.00	Back-up ring, 12x18,2x2 mm	1	•				10
11	60.5322.41	Valve head, Al	1					3	28	60.5010.31	Reduction bushing, brass	1					2
12	11.8901.14	Pneum. filter, G1/4	1					3	29	10.3195.01	O-ring, 2,62x20,29 mm Ni 90	1	•				10
13	10.2020.25	Stem seal, 20x25x4 mm	1	•				5	30	60.5003.51	Shutter pin, M8 Sst.	1	•				3
14	60.4332.31	Piston holder-brass	1					1	31	60.5002.51	Seat, 15,8x23x6 mm Sst.	1	•				2
15	16.1897.22	Screw, DIN912 M6x22 mm z.pl.	4					5	32	10.3072.01	O-ring, 1,78x20,35 mm Ni 85	1	•				10
16	60.4333.31	Counter-nut M45 brass	1					1	33	60.4305.35	Housing-VB200/280, 1"Bsp brass	1					1
17	60.4306.31	Spring guide spacer, brass	1					2	34	60.4303.31	Shutter coupl., 1"Bsp F brass	1					1
Kit	P/N	Description															
K1	60.4309.24	Spares kit -VB200/280, 10x1pcs.	1														
K2	60.5327.24	Spares kit -pneum. cylinder, 5x1pcs.	1														





Pos.	P/N	Description	Q.ty	K1	K2	K3	K4	
1	10.1002.66	Snap ring, E 18 Sst.	1					5
2	60.0617.31	Brass hose barb 7 mm	1					3
3	10.3064.01	O-ring, 1,78x14 mm Ni 85	1					10
4	60.0612.51	Sst spring 2x13,5x26 mm	1					3
5	60.0618.31	Seal frame	1					3
6	14.3513.00	Rubber shutter 3,5x14 mm NBR	1					5


Pos.	P/N	Description	Q.ty	K1	K2	K3	K4	
7	16.1825.00	Screw, DIN7985 M3X6 mm Sst.	1					10
8	60.0614.31	Thermal valv.body 1/2 Npt M (1)	1					1
8	60.0611.31	Thermal valv.body 1/2 Bsp M (2)	1					1
9	12.5046.00	Thermal pill 145°F	1					5
10	60.0613.31	Exag.screw, brass	1					3

(1) 28.0600.00 (2) 28.0600.15



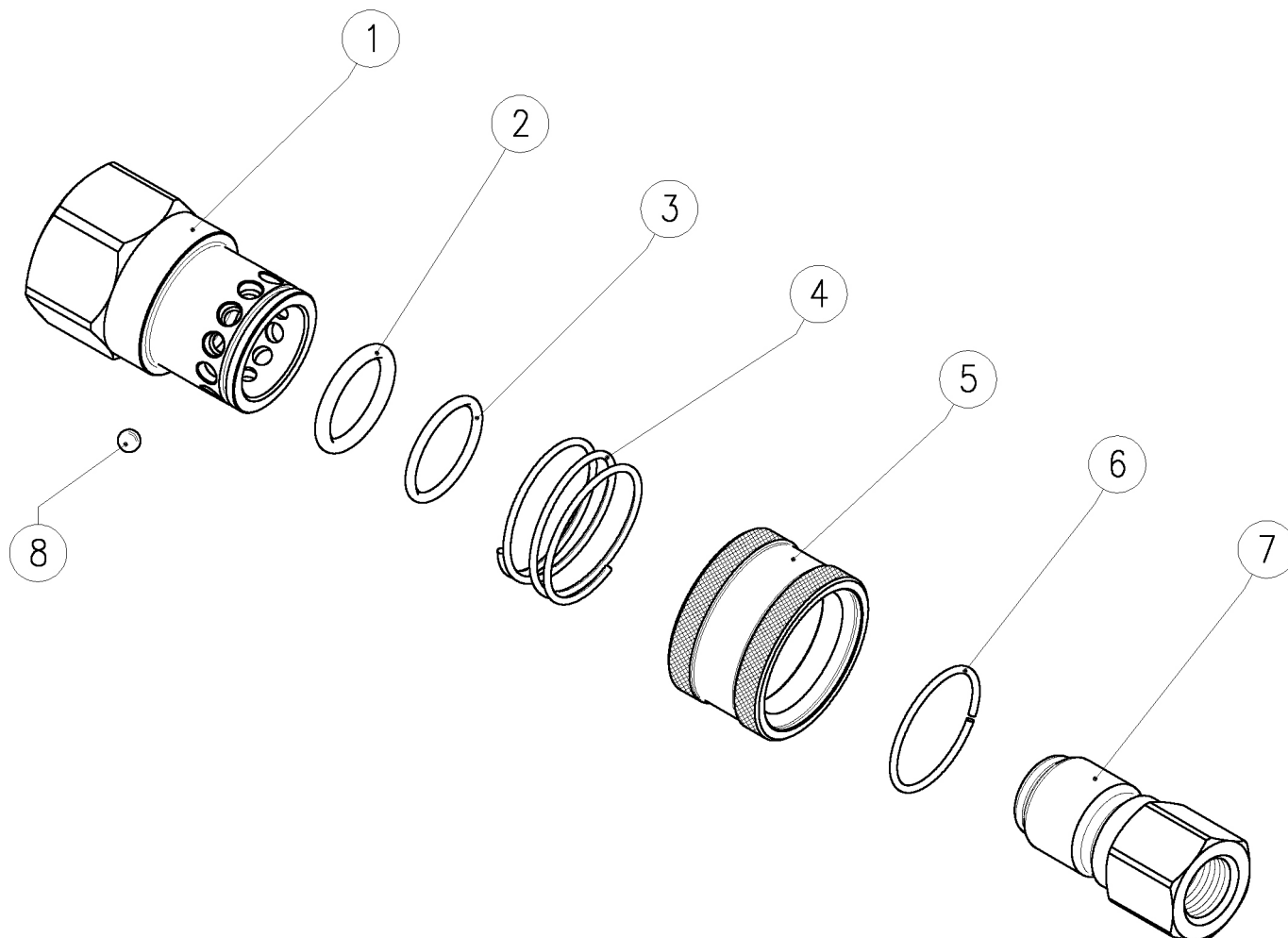
Pos.	P/N	Description	Q.ty	K1	K2	K3	K4	
1	60.4301.31	Piston housing, brass	1					1
2	10.3077.08	O-ring, 1,78x28,3 mm Ni 85	2	•				10
3	60.5010.31	Reduction bushing, brass	1					2
4	10.3234.00	O-ring, 3,53x10,69 mm	1	•				10
5	10.4080.00	Back-up ring, 12x18,2x2 mm	1	•				10
6	10.3195.01	O-ring, 2,62x20,29 mm Ni 90	1	•				10
7	60.5003.51	Shutter pin, M8 Sst.	1	•				3
8	60.5002.51	Seat, 15,8x23x6 mm Sst.	1	•				2
9	10.3072.01	O-ring, 1,78x20,35 mm Ni 85	1	•				10
10	60.4305.35	Housing-VB200/280, 1"Bsp brass	1					1
11	10.3314.00	O-ring, 5,33x12,06 mm	1	•				10
12	60.5012.99	Shutter pin, brass+or 5,33x12,06 mm N	1					2

Pos.	P/N	Description	Q.ty	K1	K2	K3	K4	
13	60.5013.51	Spring, 1,3x18x29 mm Sst.	1					10
14	60.4303.31	Shutter coupl., 1"Bsp F brass	1					1
15	60.4307.51	Valve regulating screw, M14 sst.	1					2
16	11.4760.00	Hex. nut, M14	1					10
17	60.4302.31	Upper plug, M40 brass	1					1
18	60.4306.31	Spring guide spacer, brass	1					2
19	60.4308.61	Spring 8x26x85mm	1					3
20	60.4304.31	Spring guide spacer, brass	1					2
21	14.7461.00	Ball, 13/32" Sst.	1					10
22	10.4081.00	Back-up ring, 15,8x22x2 mm	1	•				10
23	10.3237.00	O-ring, 3,53x15,47 mm	1	•				10
24	60.5004.51	Piston, M8 Sst.	1					2

Kit	P/N	Description	
K1	60.4309.24	Spares kit -VB200/280, 10x1pcs.	1

26.2500.10 ARS178 B sst ball-type coupler 3/8 Bsp F
 26.2500.30 ARS178 B sst ball-type coupler 1/2F Bsp

26.2500.40 ARS178 B sst ball-type coupler 1/2 M Bsp

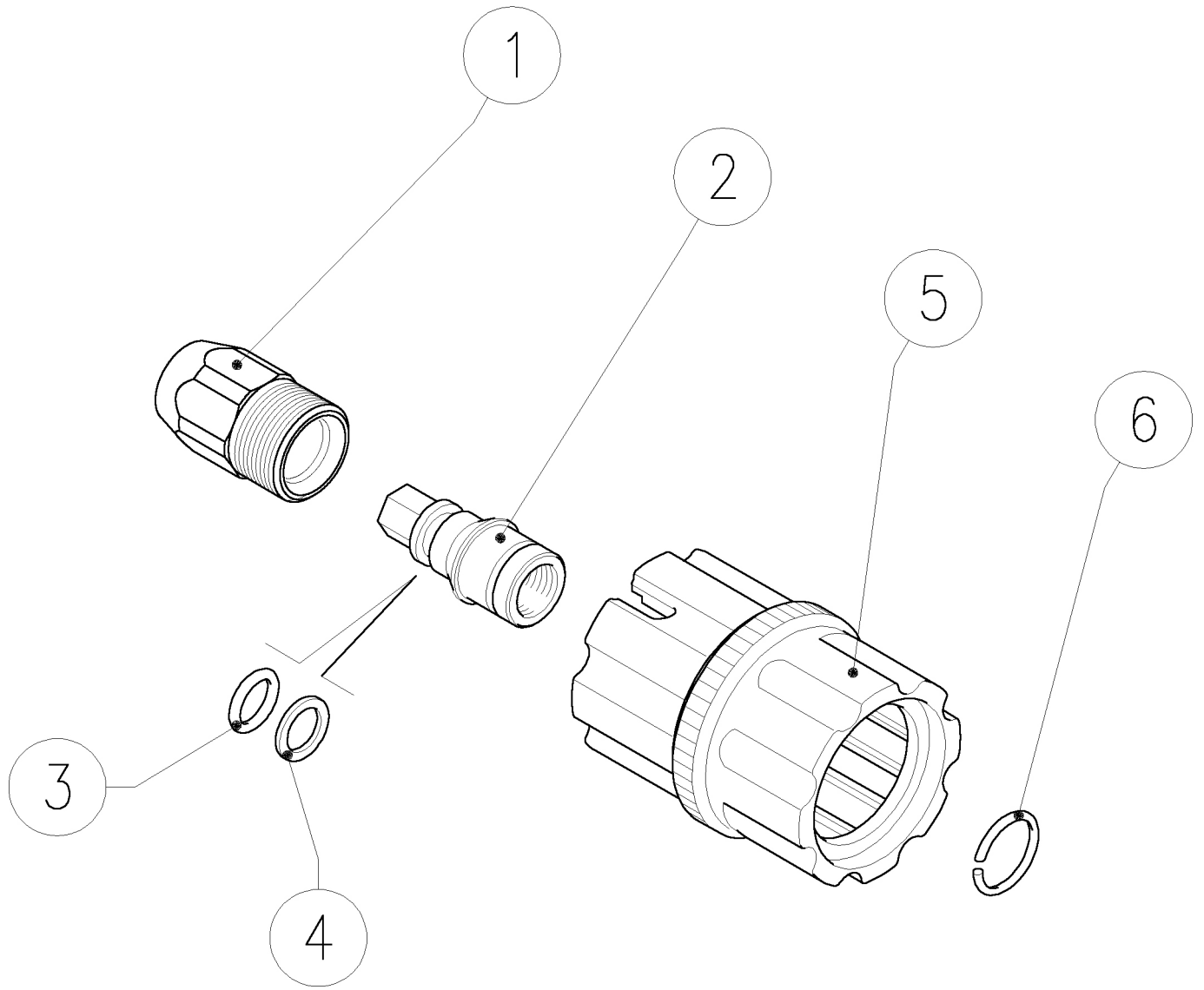


Pos.	P/N	Description	Q.ty	K1	K2	K3	K4	
1	26.2501.51	Housing -ARS178, 3/8F Bsp (1)	1					5
1	26.2507.51	Housing -ARS178, 1/2 F Bsp (2)	1					5
1	26.2508.51	Housing -ARS178, 1/2 M Bsp (3)	1					5
2	10.3181.25	O-Ring, 2,62x15,88 mm Vit.	1					10
3	10.3068.10	O-ring, 1,78x17,17 mm Vi 70	1					10
4	26.2502.51	Sst spring, 1,3x26x22mm	1					10
5	26.2503.51	Ring nut, ARS178 Sst.	1					5
6	26.2504.51	Snap ring, 1,3 mm sst	1					10
7	26.2520.00	ARS178H- A ball-type nipple 1/4F Bsp	1					5

Pos.	P/N	Description	Q.ty	K1	K2	K3	K4	
7	26.2520.10	ARS178H- A ball-type nipple 3/8 F Bsp	1					5
7	26.2520.30	ARS178H- A ball-type nipple 1/2 F Bsp	1					5
7	26.2520.40	ARS178H- A ball-type nipple 1/2 M Bsp	1					5
7	26.2530.00	ARS178L- A-Sst ball-type nipple 1/4 F Bsp	1					5
7	26.2530.10	ARS178L-Sst ball-type nipple A-3/8 F Bsp	1					5
7	26.2530.30	ARS178L- A ball-type nipple 1/2 F Bsp	1					5
7	26.2530.40	ARS178L- A ball-type nipple 1/2 M Bsp	1					5
8	14.7405.00	Ball, 5/32" Sst.	12					10

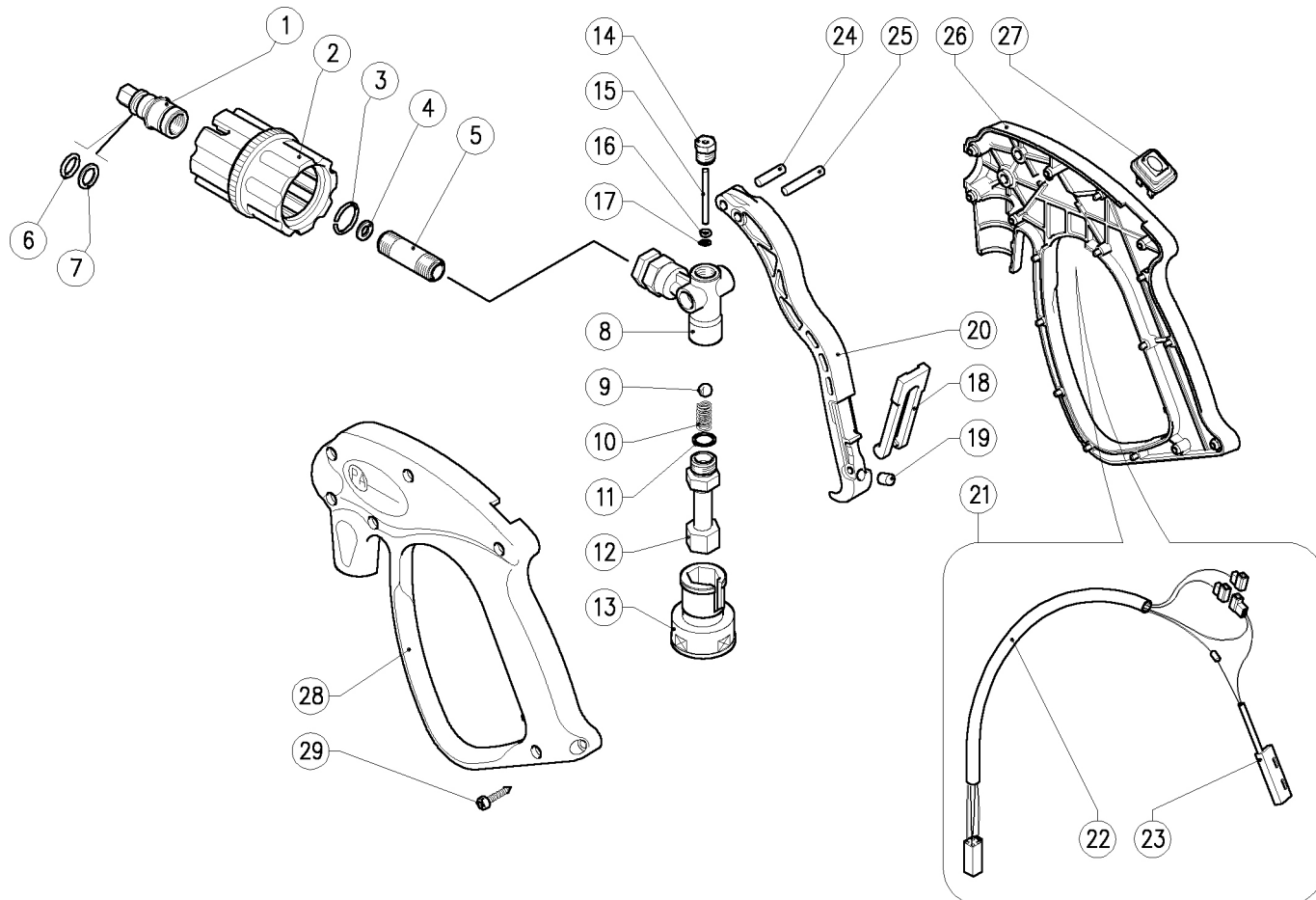
(1) 26.2500.10 (2) 26.2500.30 (3) 26.2500.40

26.0210.00 AR3/23 B M22 2pcs hex.screw.cpl.-1/4F Bsp



Pos.	P/N	Description	Q.ty	K1	K2	K3	K4		Pos.	P/N	Description	Q.ty	K1	K2	K3	K4	
1	26.0199.31	AR3 A M22 hex. screw. nipple-1/4M Bsp	1					10	4	10.4010.01	Back-up ring,10,2x13,9x1,2mm	1					50
1	26.0200.31	AR3 A M22 hex. screw. nipple-1/4F Bsp	1					25	5	30.6142.22	Hand nut, AR3/23- M22x1,5 - 17,5mm black	1					10
2	26.0201.31	Plug, 14mm+hex.10-1/4F Bsp brass	1					10	6	26.0252.51	Snap ring, 1,5x15,5 mm Sst.	1					10
3	10.3109.95	O-ring, 2,4x9,3 mm Vi 70	1					25									

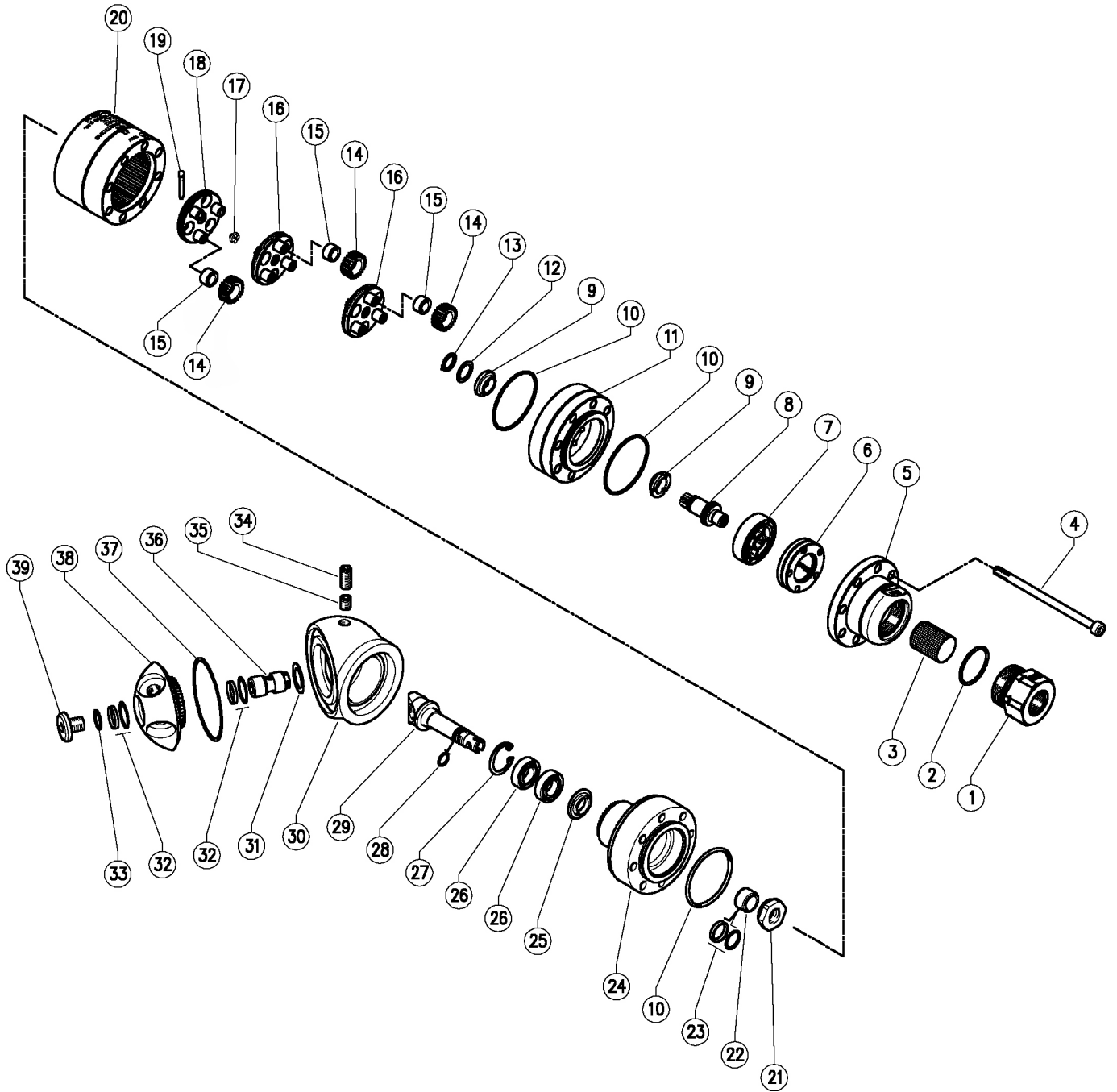
30.6140.00 RV23 We.steam g.1/4F +1el.sw+1m.sw.+Ar B



Pos.	P/N	Description	Q.ty	K1	K2	K3	K4		Pos.	P/N	Description	Q.ty	K1	K2	K3	K4	
1	26.0201.31	Plug, 14mm+hex.10-1/4F Bsp brass	1					10	14	30.4115.31	Front Plug, M10x1 brass	1					10
2	30.6142.22	Hand nut, AR3/23- M22x1,5 - 17,5mm black	1					10	15	30.0411.51	Piston, 3 mm Sst.	1					10
3	26.0252.51	Snap ring, 1,5x15,5 mm Sst.	1					10	16	10.4018.00	Back-up ring, 3,2x7,5x1,2 mm	1					10
4	14.3562.05	Washer, 6x11x1 mm Cu	1					10	17	10.3165.00	O-ring, 2,62x2,84 mm Vi 70	1					10
5	30.6141.31	Tube, 1/4Bsp MM 41mm brass	1				3		18	30.1515.84	Safety latch, PA blue	1					10
6	10.3109.95	O-ring, 2,4x9,3 mm Vi 70	1				25		19	30.5821.51	Magnet, 5x8 mm	1					5
7	10.4010.01	Back-up ring,10,2x13,9x1,2mm	1				50		20	30.6107.84	Trigger -RV23 black, pierced	1					10
8	30.6105.35	Housing -RV23 1/4 BSP F brass	1				3		21	12.5023.04	Cable 4x0,5 360mm + magnetic sensor	1					3
9	14.7448.00	Ball, 5/16" Sst.	1				10		24	30.0412.51	Sst.parallel pin, 5x20mm	1					10
10	30.0001.51	Spring, 1,4x7,8x13,5 mm Sst.	1				10		25	30.4114.51	Parallel pin, 5x33 mm Sst.	1					10
11	10.3020.10	O-ring, 1,5x10 mm Vi 70	1				10		27	12.5022.00	Ele. switch with pilot lamp	1					5
12	30.6106.31	Coupl. -RV23 1/4 Bsp F bras.	1				5		28	30.6114.24	Casing Kit -RV23 +screws	1					1
13	30.6104.84	Thermo-protection coupling, plast.	1				5		29	16.3075.51	S/tapping screw, DIN7981 3,5x18 mm Sst.	7					10

25.5600.20 A42-R -Ai316 Tank clean.s/prop.20
25.5600.30 A42-R -Ai316 Tank clean.,s/prop., 30

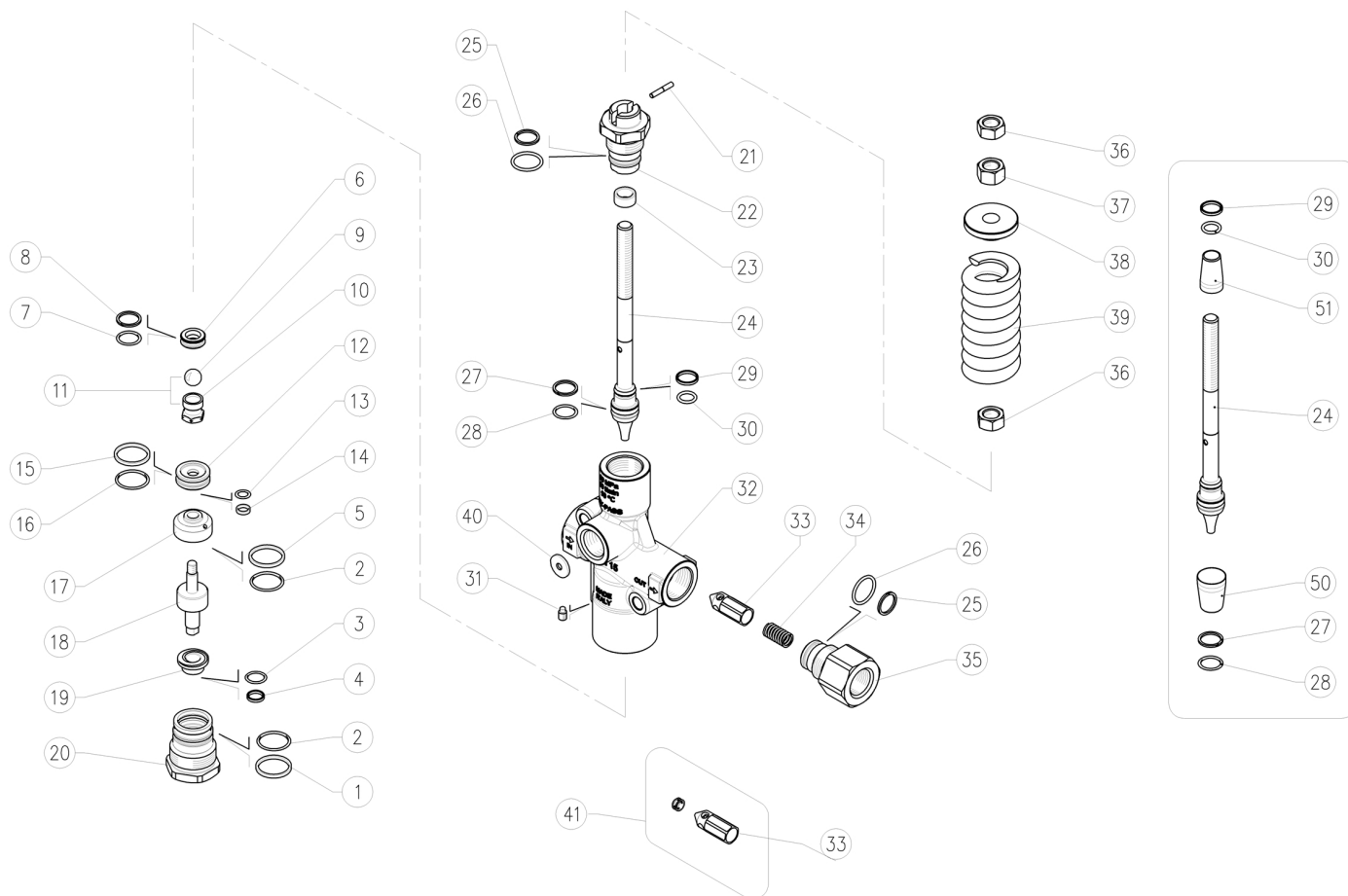
25.5600.40 A42-R -Ai316 Tank clean.,s/prop.40



Pos.	P/N	Description	Q.ty	K1	K2	K3	K4	
1	80.0813.60	Inlet coupl., 1/2Bsp F Sst.	1					3
2	10.3077.19	O-Ring, 1,78x28,3 mm Vi 70-Nsf	1					5
3	80.0820.63	Net, 21,5x26,5 mm Ai316 Sst.	1					3
4	16.1909.00	Screw, DIN912 M6x90 mm Sst.	8					10
5	80.0803.60	Inlet housing, Sst.	1					1
6	80.0836.60	Ring injector, 3x2,8 mm Sst. Ai316 (1)	1					1
6	80.0837.60	Ring injector, 4x3,4 mm Sst. Ai316 (2)	1					1
6	80.0801.60	Ring injector, 6x3,4 mm Sst. (3)	1					1
7	80.0512.84	Turbine, plast.	1					3
8	80.0834.21	Geared shaft, Sst.	1					1
9	80.0548.84	Bushing ring	2					3
10	10.3034.19	O-Ring, 1,5x45 mm Vi 70-Nsf	3					5
11	80.0811.60	Sst. inlet flange	1					1
12	80.0814.53	Shim ring, Sst.	1					5
13	10.0999.60	Snap ring, E 12 Sst.	1					10
14	80.0821.60	Planetary gear, z.24 Ai316	9					3
15	80.0822.84	Bushing, . 8x12mm	9					3
16	80.0833.21	Plan. gear holder+3 pins+gear, Sst.	2					1
17	80.0213.84	Shim pin, plast.	1					3
18	80.0832.21	Plan. gear holder+3 pins, Sst.+1 pin	1					1
19	80.0808.60	Parallel pin, 3x24,5mm Ai316	1					3

(1) 25.5600.20 (2) 25.5600.30 (3) 25.5600.40

Pos.	P/N	Description	Q.ty	K1	K2	K3	K4	
20	80.0809.60	Ring gear z.60, 3-stage cleaner, sst.	1					1
21	80.0807.60	Ring nut M12x1 mm Ai316 sst	1					1
22	80.0816.60	Seal holding pin, Sst.	1					5
23	10.2031.19	Stem seal, 16x21x2,2 mm +O-ring	2					5
24	80.0851.60	Fixed pinion, z.45 Sst. Ai316	1					1
25	80.0852.60	Shim ring, Ai 316 Sst.	1					1
26	11.4412.98	Ball-bearing, 12x28x8 mm - 2RS1 Sst.	2					3
27	10.1011.60	Snap ring, I D 28 Sst.	1					10
28	10.3019.19	O-Ring, 1,5x9,0 mm Vi 70-Nsf	1					5
29	80.0854.60	Pin, Ai 316 Sst.	1					1
30	80.0853.60	Spherical cap -A42R Ai 316.	1					1
31	80.0860.60	Shim ring, 15,4x23x0,3mm Ai316 Sst.	1					1
32	10.2031.16	Stem seal, 15 mm +O-ring	2					5
33	80.0859.60	Shim ring, Sst. Ai316	1					1
34	16.2225.60	Set screw, DIN913 M8x16 mm Sst.Ai316	1					10
35	16.2221.60	Set screw, DIN914 M8x8 mm Ai316 Sst.	1					10
36	80.0855.60	Sst Ai 316 shaft	1					1
37	10.3270.19	O-Ring, 3,53x59,92 mm Vi 70-Nsf	1					10
38	80.0861.21	Spher.nzl hold,+gear z.47,Sst Ai316	1					1
39	80.0858.60	Pin, M10 - Ai 316 Sst.	1					1

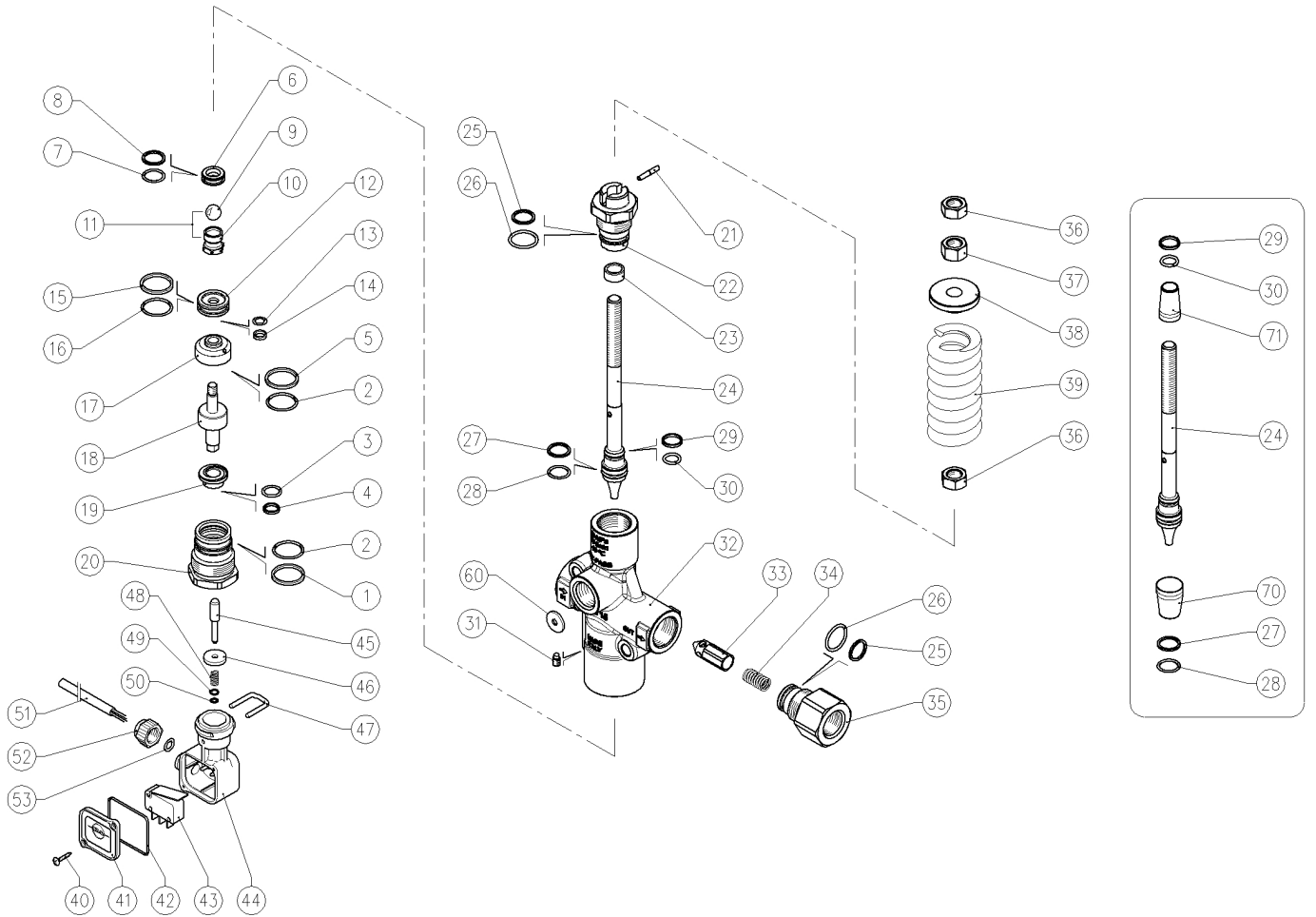


Pos.	P/N	Description	Q.ty	K1	K2	K3	K4		Pos.	P/N	Description	Q.ty	K1	K2	K3	K4	
1	10.4098.00	Back-up ring, 23,2x26x1,2mm	1	.				5	27	10.4161.00	Back-up ring, 18 mm	1	.				3
2	10.3072.60	O-ring, 1,78x21,95 mm Ni 85	2	.				10	28	10.3060.00	O-ring, 1,78x12,42 mm	1	.				10
3	10.3058.01	O-ring, 1,78x10,82 mm	1	.				10	29	10.4162.00	Back-up ring, 14,2 mm	1	.				3
4	10.4055.00	Back-up ring, 9,2x11,2x2 mm	1	.				10	30	10.3057.00	O-ring, 1,78x9,25 mm	1	.				10
5	10.4059.00	Back-up ring, 20x22x2 mm	1	.				10	31	16.2203.00	Set screw, DIN915 M6x10 mm Sst.	1					10
6	60.2615.51	Sst seat, 8,5 mm	1	.				5	32	60.2605.55	Housing -VB60/600 Zero, 1/2 .Bsp F sst	1					3
7	10.3060.01	O-ring, 1,78x12,42 mm Ni 85	1	.				10	33	60.2608.51	Sst shutter	1					5
8	10.4013.00	Back-up ring, 16x13,2x1,2 mm	1	.				10	34	60.2617.51	Sst spring, 1,3x8,5x24 mm (1,2)	1					5
11	60.2616.21	Shutter pin, M6 sst+ball, 13/32"	1	.				5	34	60.2601.51	Sst spring, 1,3x8,5x28,5 mm (3)	1					5
12	60.2606.51	7 mm sst piston ring	1					3	35	60.2612.51	Shutter coupl., 1/2F Bsp sst	1					3
13	10.3056.00	O-ring, 1,78x8,74 mm	1	.				10	36	11.4629.00	Hex. nut, M10	2					10
14	10.4007.92	Back-up ring, 7x9x2 mm	1	.				10	37	11.4630.00	Hex. nut, M10	1					10
15	10.4041.00	Back-up ring, 19,3x22x1,2 mm PTFE	1	.				10	38	60.2614.51	Spring holding washer, sst (3)	1					5
16	10.3070.02	O-ring, 1,78x18,77 mm Ni 85	1	.				10	38	60.2619.51	Spring holding washer, sst (1,2)	1					3
17	60.2609.51	Spacer ring 7 mm	1					3	39	60.0434.61	Spring, 8,5x38x80 mm black (3)	1					3
18	60.2607.51	Sst pin	1					5	39	60.0411.61	Spring, 6,5x33x70 mm white (1)	1					3
19	60.2610.51	9,2 mm sst piston ring	1					3	39	60.0412.61	Spring, 7,5x35x70 mm blue (2)	1					10
20	60.2604.51	Lower plug, sst	1					3	40	60.2629.31	Nozzle, 2,5 mm brass **	1					10
21	60.2611.51	Pin, 3,1x18 mm Sst.	1					5	40	60.2623.31	Nozzle, 3,0 mm brass **	1					10
22	60.2603.51	Piston holder, sst	1					5	40	60.2624.31	Nozzle, 4,5 mm brass x1/2 Bsp **	1					10
23	26.1046.84	Bushing, 10x14x7 mm Plast.	1	.				5	41	60.2622.24	Spare kit seat/check valv.pcs.2x1 **	1					1
24	60.2602.51	Sst. valve piston	1					5	50	10.4407.00	Seal frame >VB60-80 zero **	1					1
25	10.4099.00	Back-up ring, 17,2x20x1,2mm	2	.				5	51	10.4408.00	Seal frame >VB60-80 zero **	1					1
26	10.3068.01	O-ring, 1,78x17,17 mm Ni 85	2	.				10									

** On request

Kit	P/N	Description	
K1	60.2618.24	Spares kit -VB60/600.Zero, 20x1pcs.	1

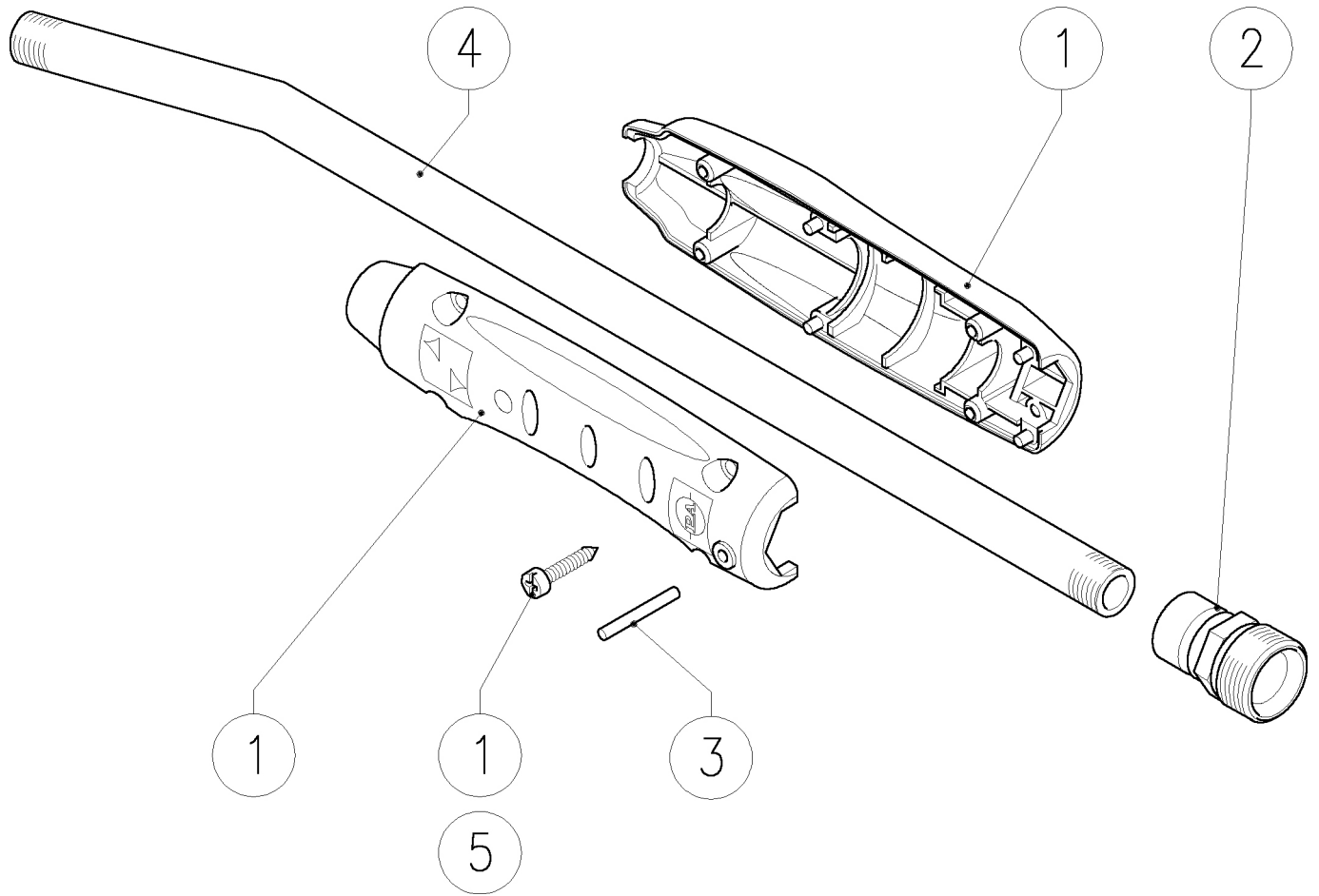
(1) 60.2600.25 (2) 60.2600.40 (3) 60.2600.00



Pos.	P/N	Description	Q.ty	K1	K2	K3	K4		Pos.	P/N	Description	Q.ty	K1	K2	K3	K4	
1	10.4098.00	Back-up ring, 23,2x26x1,2mm	1					5	30	10.3057.00	O-ring, 1,78x9,25 mm	1					10
2	10.3072.60	O-ring, 1,78x21,95 mm Ni 85	2					10	31	16.2203.00	Set screw, DIN915 M6x10 mm Sst.	1					10
3	10.3058.01	O-ring, 1,78x10,82 mm	1					10	32	60.2605.55	Housing -VB60/600 Zero, 1/2 .Bsp F sst	1					3
4	10.4055.00	Back-up ring, 9,2x11,2x2 mm	1					10	33	60.2608.51	Sst shutter	1					5
5	10.4059.00	Back-up ring, 20x22x2 mm	1					10	34	60.2601.51	Sst spring, 1,3x8,5x28,5 mm	1					5
6	60.2615.51	Sst seat, 8,5 mm	1					5	35	60.2612.51	Shutter coupl., 1/2F Bsp sst	1					3
7	10.3060.01	O-ring, 1,78x12,42 mm Ni 85	1					10	36	11.4629.00	Hex. nut, M10	2					10
8	10.4013.00	Back-up ring, 16x13,2x1,2 mm	1					10	37	11.4630.00	Hex. nut, M10	1					10
11	60.2616.21	Shutter pin, M6 sst+ball, 13/32"	1					5	38	60.2614.51	Spring holding washer, sst	1					5
12	60.2606.51	7 mm sst piston ring	1					3	39	60.0434.61	Spring, 8,5x38x80 mm black	1					3
13	10.3056.00	O-ring, 1,78x8,74 mm	1					10	40	16.3020.00	S/tapp. screw, 2,5x12mm chrom	2					10
14	10.4007.92	Back-up ring, 7x9x2 mm	1					10	41	29.0088.84	Lid, PR5 PA black	1					10
15	10.4041.00	Back-up ring, 19,3x22x1,2 mm PTFE	1					10	42	10.3206.01	O-ring, 2,62x28,25 mm	1					10
16	10.3070.02	O-ring, 1,78x18,77 mm Ni 85	1					10	43	12.5006.00	Cable, 3x0,75 L.1000 mm+ Microswitch	1					5
17	60.2609.51	Spacer ring 7 mm	1					3	44	29.0089.84	Housing, PR5 PA black	1					10
18	60.2607.51	Sst pin	1					5	45	60.2652.31	Brass pin	1					3
19	60.2610.51	9,2 mm sst piston ring	1					3	46	29.0086.31	Washer, 4x16x2,5 mm brass	1					10
20	60.2651.51	Lower plug, sst	1					3	47	29.0087.51	U-bolt, Sst.	1					10
21	60.2611.51	Pin, 3,1x18 mm Sst.	1					5	48	60.0867.51	Spring, 0,5x6,5x22 mm Sst.	1					25
22	60.2603.51	Piston holder, sst	1					5	49	14.3519.00	Washer, 4x8x0,5 mm brass	1					10
23	26.1046.84	Bushing, 10x14x7 mm Plast.	1					5	50	10.3038.00	O-ring, 1,78x3,68 mm	1					10
24	60.2602.51	Sst. valve piston	1					5	52	29.0109.84	Locknut for cable gland, PA red	1					10
25	10.4099.00	Back-up ring, 17,2x20x1,2mm	2					5	53	10.3169.00	O-ring, 2,62x6,02 mm	1					10
26	10.3068.01	O-ring, 1,78x17,17 mm Ni 85	2					10	60	60.2623.31	Nozzle, 3,0 mm brass **	1					10
27	10.4161.00	Back-up ring, 18 mm	1					3	60	60.2624.31	Nozzle, 4,5 mm brass x1/2 Bsp **	1					10
28	10.3060.00	O-ring, 1,78x12,42 mm	1					10	70	10.4407.00	Seal frame >VB60-80 zero **	1					1
29	10.4162.00	Back-up ring, 14,2 mm	1					3	71	10.4408.00	Seal frame >VB60-80 zero **	1					1

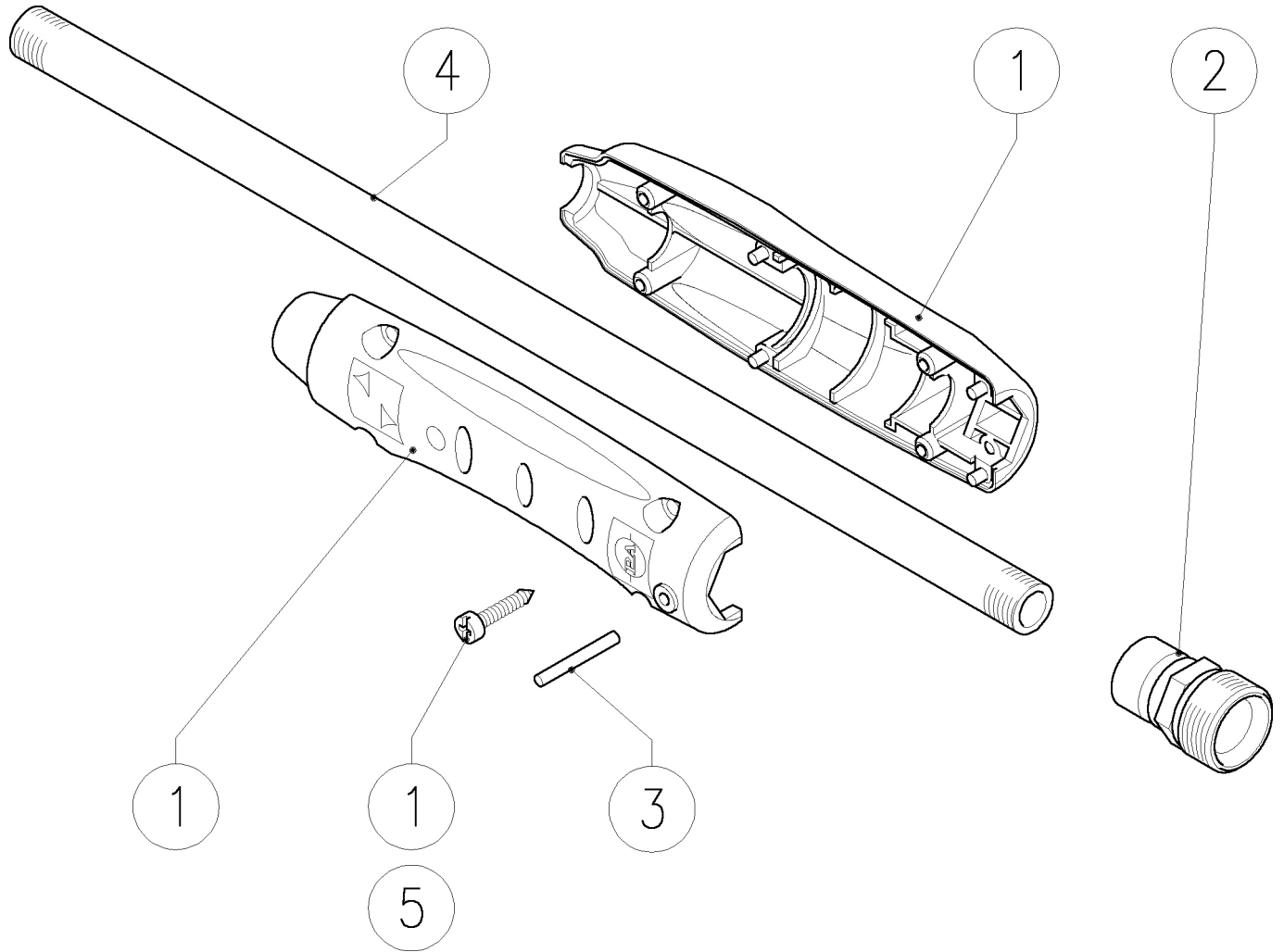
** On request

40.2525.40 Extn.S7k AR3 ex.A



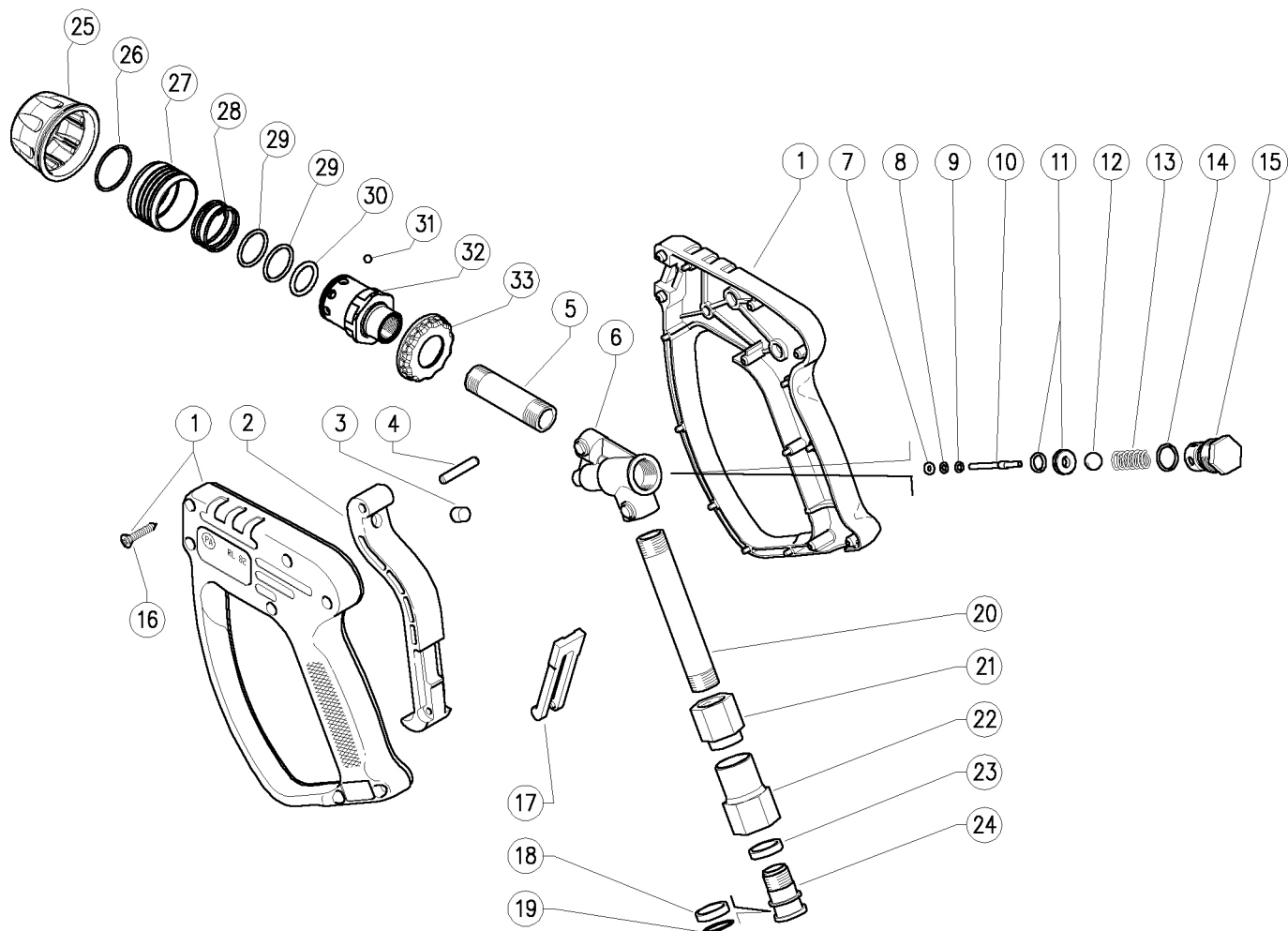
Pos.	P/N	Description	Q.ty	K1	K2	K3	K4		Pos.	P/N	Description	Q.ty	K1	K2	K3	K4	
1	30.1253.24	Casing-kit -S7 + sst.screws	1					1	4	40.2526.56	Tube, bent 1/4Bsp MM 250mm Sst.	1					2
2	30.1287.31	Coupl. M22x1,5M-1/4F Bsp int.hex.10 brs.	1					10	5	16.3075.51	S/tapping screw, DIN7981 3,5x18 mm Sst.	4					10
3	15.1046.00	Parallel pin, 3x30 mm Sst.	1					10									

40.2525.00 Extn.S7k 250mm,sst.st/ht-AR3 ex. A



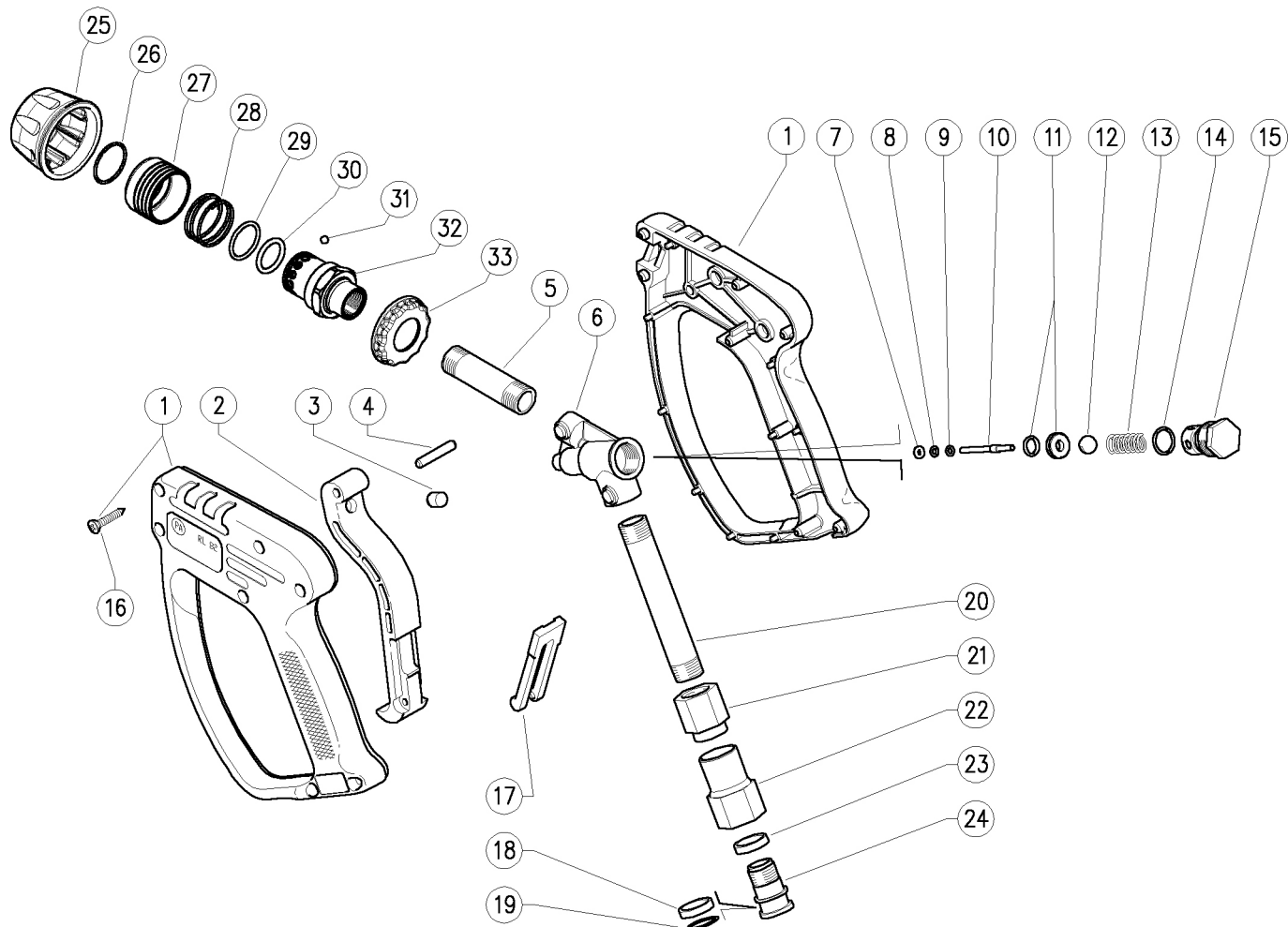
Pos.	P/N	Description	Q.ty	K1	K2	K3	K4	
1	30.1253.24	Casing-kit -S7 + sst.screws	1					1
2	30.1287.31	Coupl.,M22x1,5M-1/4F Bsp int.hex.10 brs.	1					10
3	15.1046.00	Parallel pin, 3x30 mm Sst.	1					10
4	40.0039.56	Tube, 1/4Bsp MM 250mm Sst.	1					2
5	16.3075.51	S/tapping screw, DIN7981 3,5x18 mm Sst.	4					10

30.2840.00 RL82 sst spr.gun sw5- 1/2F- Bsp-ARS 350 B



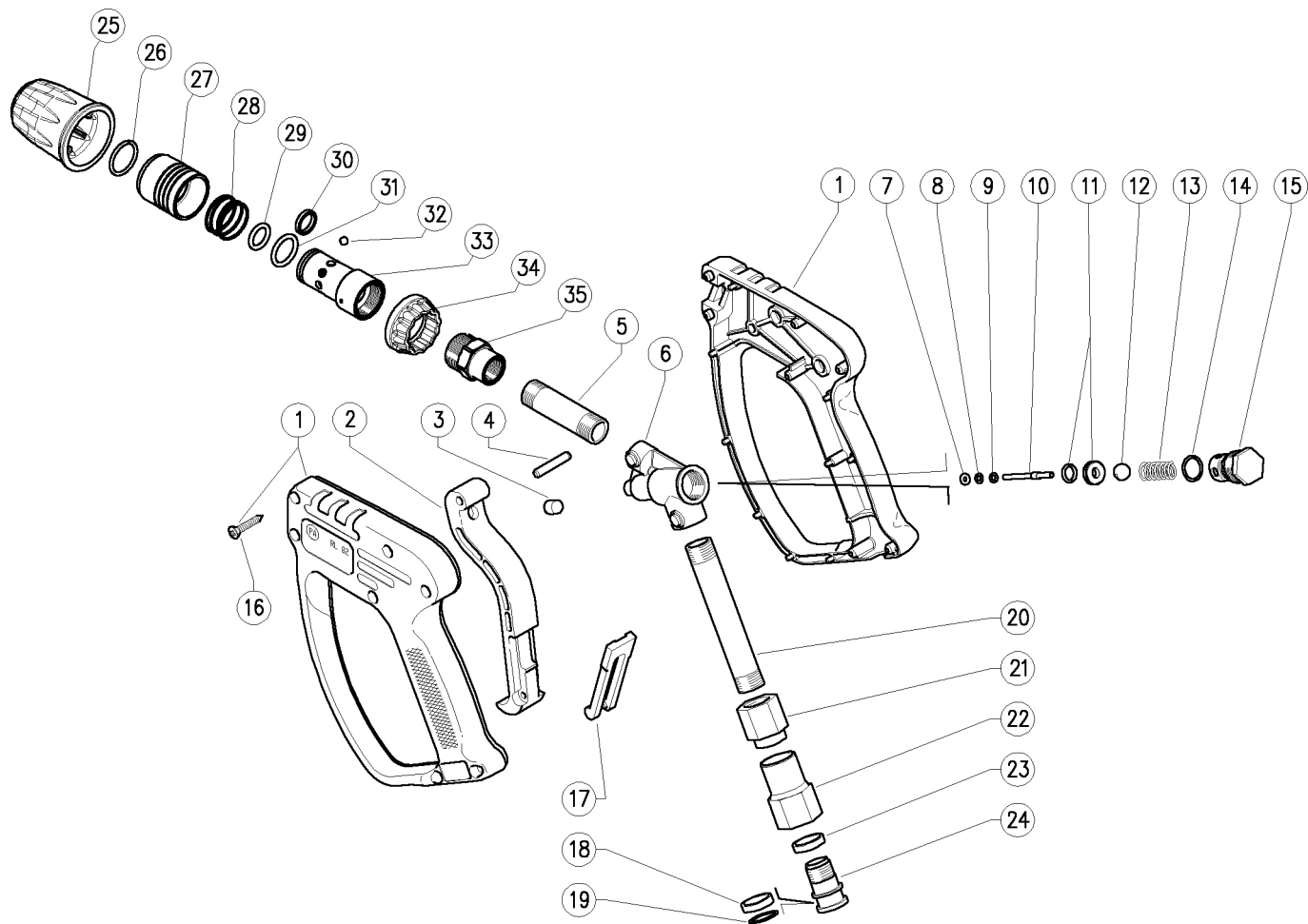
Pos.	P/N	Description	Q.ty	K1	K2	K3	K4	Pos.	P/N	Description	Q.ty	K1	K2	K3	K4
1	30.2805.24	Casing-kit -RL82 +screws, Sst.	1				1	17	30.1515.84	Safety latch, PA blue	1				10
2	30.2543.84	Blue trigger RL34-82	1				2	18	26.1075.85	Bushing, open 15,5x19x4 mm PTFE	1				5
3	30.0675.84	Stop pin, 8x7,1mm PA	1				10	19	10.3092.10	O-ring, 2x15 mm Vi 70	1				10
4	30.2517.31	Parallel pin, 5x27,5 mm brass	1				10	20	30.3173.56	Tube, M16x1 MM 96mm Sst.	1				5
5	30.2807.56	Front tube, 53mm-M16x1 MM Sst.	1				3	21	30.3181.51	Coupl., M16x1F-M15x1F Sst.	1				3
6	30.2804.55	Sst.housing RL82	1				2	22	30.3182.51	Coupl., 1/2F Bsp Sst.	1				3
7	10.4018.00	Back-up ring, 3,2x7,5x1,2 mm	1				10	23	26.1074.85	Bushing, 15,5x19x4 mm PTFE	1				5
8	10.3165.00	O-ring, 2,62x2,84 mm Vi 70	1				10	24	26.1072.51	Pin, M15x1-19 mm Sst.	1				5
9	14.3511.00	Washer, 3,2x7x0,5 mm sst.	1				10	25	30.2815.21	Hand nut, ARS 350 blue	1				5
10	30.2802.51	Sst.plunger D.4x3x L.43mm	1				10	26	26.2034.51	Snap ring, 1,4x26 mm Sst.	1				3
11	30.2806.20	Seat, 9mm Sst.+O-ring	1				10	28	26.2033.51	Spring, 1,4x29,1x25 mm Sst.	1				10
12	14.7461.00	Ball, 13/32" Sst.	1				10	29	10.3195.10	O-ring, 2,5x20 mm Vi 70	2				10
14	10.3060.10	O-ring, 1,78x12,42 mm Vi 70	1				10	30	10.3181.95	O-ring, 2,62x17,96 mm Vi 70	1				10
13	30.4108.51	Spring, 1,6x8,8x24 mm Sst.	1				10	31	14.7410.10	Ball, 3/16" Sst.	8				10
15	30.2803.51	Sst. plug M18	1				3	32	30.2816.51	Housing -ARS350, M16- F Sst.	1				5
16	16.3075.51	S/tapping screw, DIN7981 3,5x18 mm Sst.	7				10	33	30.2819.84	Guard ring, ARS 350 blue	1				5

30.2860.00 RL82 sst spr.gun sw5- 1/2F- Bsp-ARS 178 B



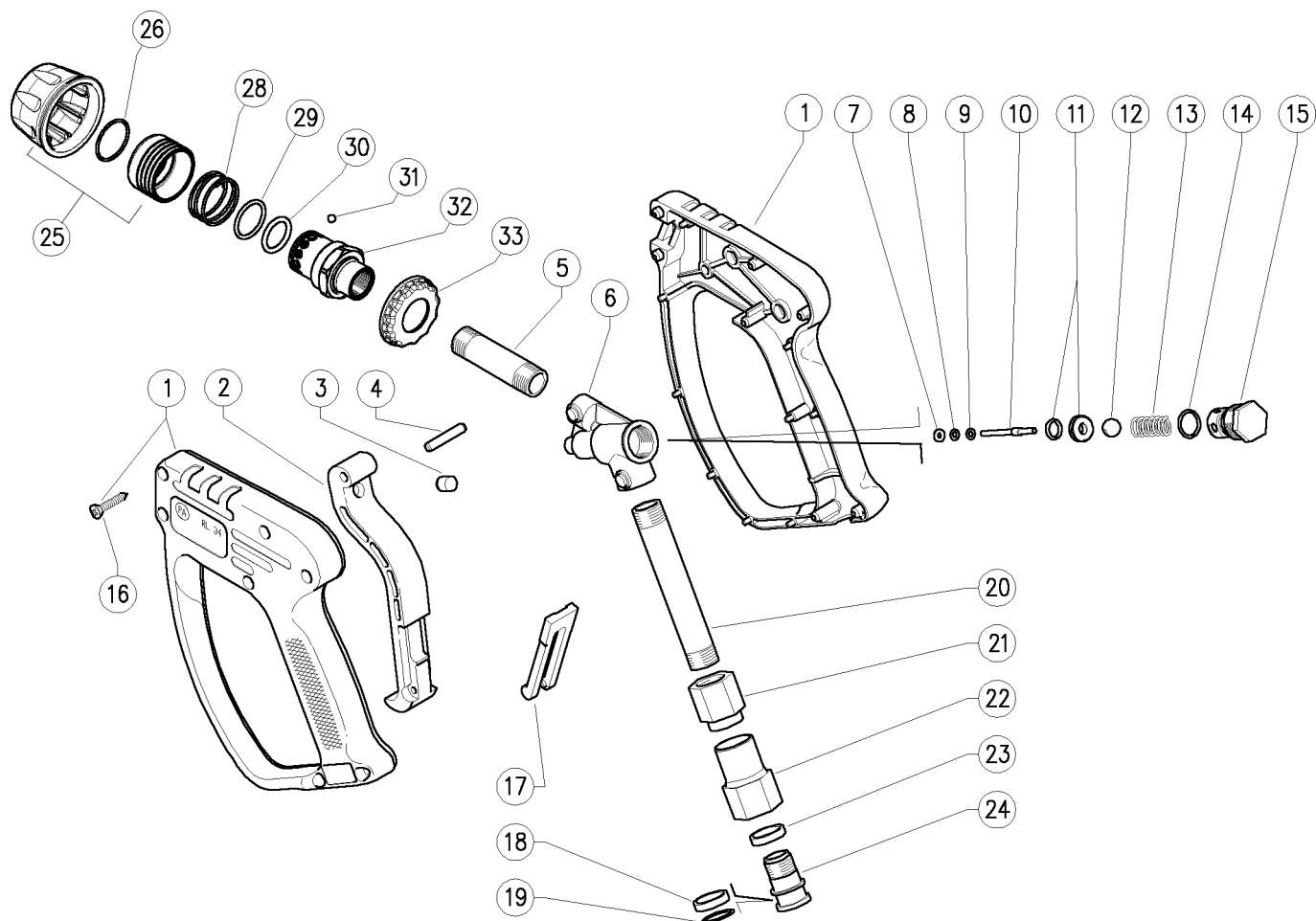
Pos.	P/N	Description	Q.ty	K1	K2	K3	K4	Pos.	P/N	Description	Q.ty	K1	K2	K3	K4
1	30.2805.24	Casing-kit -RL82 +screws, Sst.	1				1	17	30.1515.84	Safety latch, PA blue	1				10
2	30.2543.84	Blue trigger RL34-82	1				2	18	26.1075.85	Bushing, open 15,5x19x4 mm PTFE	1				5
3	30.0675.84	Stop pin, 8x7,1mm PA	1				10	19	10.3092.10	O-ring, 2x15 mm Vi 70	1				10
4	30.2517.31	Parallel pin, 5x27,5 mm brass	1				10	20	30.3173.56	Tube, M16x1 MM 96mm Sst.	1				5
5	30.2807.56	Front tube, 53mm-M16x1 MM Sst.	1				3	21	30.3181.51	Coupl., M16x1F-M15x1F Sst.	1				3
6	30.2804.55	Sst.housing RL82	1				2	22	30.3182.51	Coupl., 1/2F Bsp Sst.	1				3
7	10.4018.00	Back-up ring, 3,2x7,5x1,2 mm	1				10	23	26.1074.85	Bushing, 15,5x19x4 mm PTFE	1				5
8	10.3165.00	O-ring, 2,62x2,84 mm Vi 70	1				10	24	26.1072.51	Pin, M15x1-19 mm Sst.	1				5
9	14.3511.00	Washer, 3,2x7x0,5 mm sst.	1				10	25	30.2812.21	Hand nut, ARS 178 blue	1				5
10	30.2802.51	Sst.plunger D.4x3x L.43mm	1				10	26	26.2504.51	Snap ring, 1,3 mm sst	1				10
11	30.2806.20	Seat, 9mm Sst.+O-ring	1				10	28	26.2502.51	Sst spring, 1,3x26x22mm	1				10
12	14.7461.00	Ball, 13/32" Sst.	1				10	29	10.3068.10	O-ring, 1,78x17,17 mm Vi 70	1				10
14	10.3060.10	O-ring, 1,78x12,42 mm Vi 70	1				10	30	10.3181.25	O-Ring, 2,62x15,88 mm Vit.	1				10
13	30.4108.51	Spring, 1,6x8,8x24 mm Sst.	1				10	31	14.7405.00	Ball, 5/32" Sst.	12				10
15	30.2803.51	Sst. plug M18	1				3	32	30.2808.51	Housing -ARS178, M16- F Sst.	1				5
16	16.3075.51	S/tapping screw, DIN7981 3,5x18 mm Sst.	7				10	33	30.2810.84	Guard ring, ARS 178 blue	1				5

30.2880.00 RL82 sst spr.gun sw5- 1/2F- Bsp-ARS 25 B



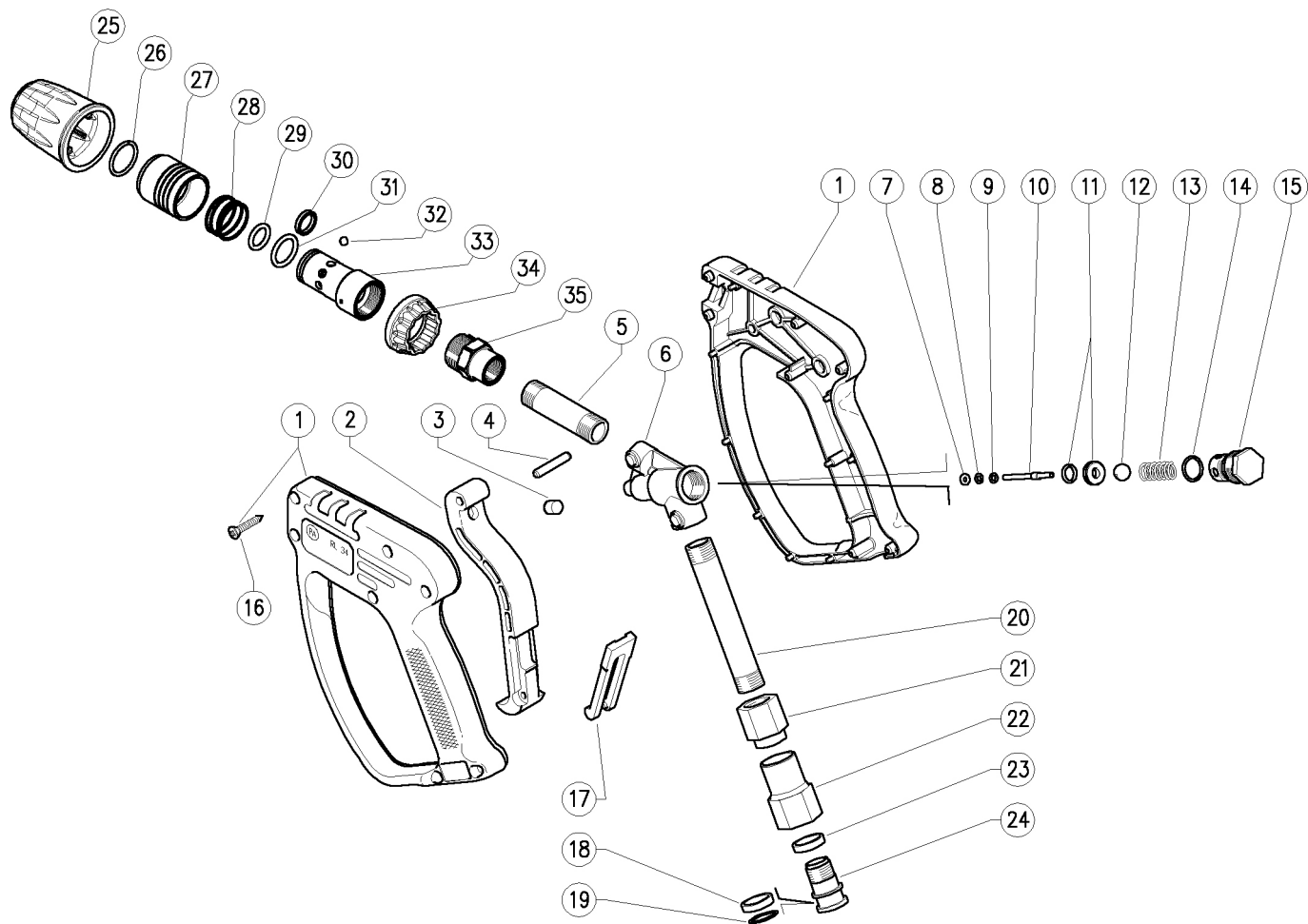
Pos.	P/N	Description	Q.ty	K1	K2	K3	K4	📦	Pos.	P/N	Description	Q.ty	K1	K2	K3	K4	📦
1	30.2805.24	Casing-kit -RL82 +screws, Sst.	1					1	18	26.1075.85	Bushing, open 15,5x19x4 mm PTFE	1					5
2	30.2543.84	Blue trigger RL34-82	1					2	19	10.3092.10	O-ring, 2x15 mm Vi 70	1					10
3	30.0675.84	Stop pin, 8x7,1mm PA	1					10	20	30.3173.56	Tube, M16x1 MM 96mm Sst.	1					5
4	30.2517.31	Parallel pin, 5x27,5 mm brass	1					10	21	30.3181.51	Coupl., M16x1F-M15x1F Sst.	1					3
5	30.2807.56	Front tube, 53mm-M16x1 MM Sst.	1					3	22	30.3182.51	Coupl., 1/2F Bsp Sst.	1					3
6	30.2804.55	Sst.housing RL82	1					2	23	26.1074.85	Bushing, 15,5x19x4 mm PTFE	1					5
7	10.4018.00	Back-up ring, 3,2x7,5x1,2 mm	1					10	24	26.1072.51	Pin, M15x1-19 mm Sst.	1					5
8	10.3165.00	O-ring, 2,62x2,84 mm Vi 70	1					10	25	30.2824.84	Hand nut, ARS 25 blue	1					5
9	14.3511.00	Washer, 3,2x7x0,5 mm sst.	1					10	26	26.2406.51	Snap ring, 2x18,3 mm Sst.	1					10
10	30.2802.51	Sst.plunger D.4x3x L.43mm	1					10	28	26.2405.51	Spring, 1,1x21,2x25mm Sst	1					10
11	30.2806.20	Seat, 9mm Sst.+O-ring	1					10	29	10.3176.10	O-Ring, 2,62x11,91 mm Vi 70	1					5
12	14.7461.00	Ball, 13/32" Sst.	1					10	30	10.4043.29	Back-up ring, 12 x 15 x2,9 mm	1					10
14	10.3060.10	O-ring, 1,78x12,42 mm Vi 70	1					10	31	10.3180.10	O-ring, 2,62x15,08 mm vi.	1					10
13	30.4108.51	Spring, 1,6x8,8x24 mm Sst.	1					10	32	14.7405.00	Ball, 5/32" Sst.	8					10
15	30.2803.51	Sst. plug M18	1					3	33	30.2822.51	Housing -ARS 25, M16- F Sst.	1					5
16	16.3075.51	S/tapping screw, DIN7981 3,5x18 mm Sst.	7					10	34	30.2825.84	Guard ring, ARS 25 blue	1					5
17	30.1515.84	Safety latch, PA blue	1					10	35	30.2821.51	Coupl., M16x1F- Sst.	1					5

30.2960.00 RL34 br. spr.gun sw5- 1/2F Bsp+ARS 178 B



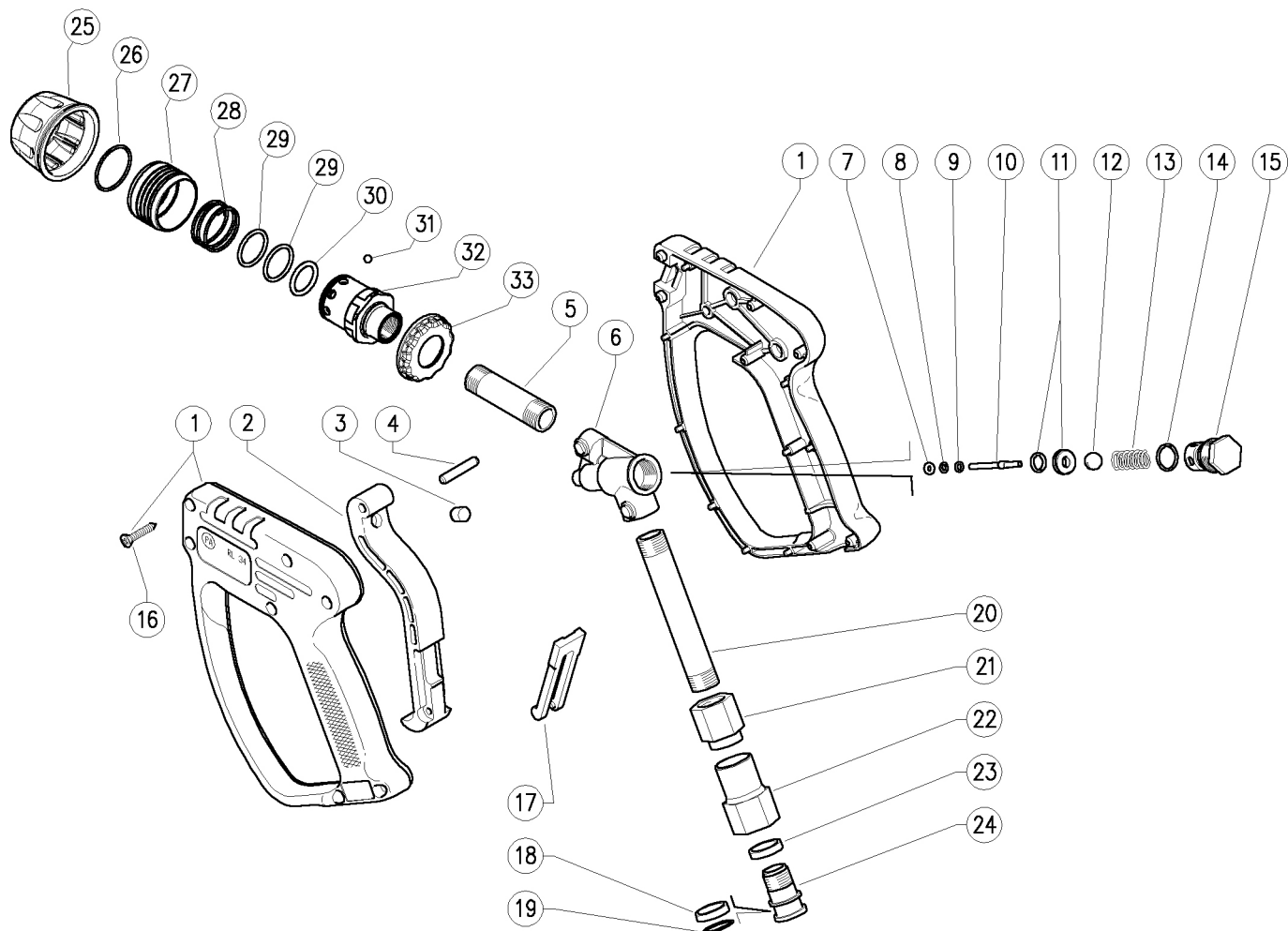
Pos.	P/N	Description	Q.ty	K1	K2	K3	K4	Pos.	P/N	Description	Q.ty	K1	K2	K3	K4
1	30.2903.24	Casing-kit -RL34 +screws, Sst.	1				1	17	30.1510.84	Safety latch, PA red	1				10
2	30.2543.84	Blue trigger RL34-82	1				2	18	26.1075.85	Bushing, open 15,5x19x4 mm PTFE	1				5
3	30.0675.84	Stop pin, 8x7,1mm PA	1				10	19	10.3092.10	O-ring, 2x15 mm Vi 70	1				10
4	30.2517.31	Parallel pin, 5x27,5 mm brass	1				10	20	30.3173.36	Tube L.96mm M16x1 mm brass	1				5
5	30.2807.56	Front tube, 53mm-M16x1 MM Sst.	1				3	21	30.3181.31	Coupling M15xM16 Brass	1				3
6	30.2901.35	Brass housing RL34	1				2	22	30.3182.31	Coupling1/2 F Bsp, nickel-plated brass	1				3
7	10.4018.00	Back-up ring, 3,2x7,5x1,2 mm	1				10	23	26.1074.85	Bushing, 15,5x19x4 mm PTFE	1				5
8	10.3165.00	O-ring, 2,62x2,84 mm Vi 70	1				10	24	26.1072.31	Pin, M15x1-19 mm brass	1				10
9	14.3511.00	Washer, 3,2x7x0,5 mm sst.	1				10	25	30.2812.21	Hand nut, ARS 178 blue	1				5
10	30.2802.51	Sst.plunger D.4x3x L.43mm	1				10	26	26.2504.51	Snap ring, 1,3 mm sst	1				10
11	30.2806.20	Seat, 9mm Sst.+O-ring	1				10	28	26.2502.51	Sst spring, 1,3x26x22mm	1				10
12	14.7461.00	Ball, 13/32" Sst.	1				10	29	10.3068.10	O-ring, 1,78x17,17 mm Vi 70	1				10
13	30.4108.51	Spring, 1,6x8,8x24 mm Sst.	1				10	30	10.3181.25	O-Ring, 2,62x15,88 mm Vit.	1				10
14	10.3060.10	O-ring, 1,78x12,42 mm Vi 70	1				10	31	14.7405.00	Ball, 5/32" Sst.	12				10
15	30.2803.31	Spring plug M18 brass	1				3	32	30.2808.51	Housing -ARS178, M16- F Sst.	1				5
16	16.3075.51	S/tapping screw, DIN7981 3,5x18 mm Sst.	7				10	33	30.2810.84	Guard ring, ARS 178 blue	1				5

30.2980.00 RL34 br. spr.gun sw5- 1/2F Bsp+ARS 25 B



Pos.	P/N	Description	Q.ty	K1	K2	K3	K4		Pos.	P/N	Description	Q.ty	K1	K2	K3	K4	
1	30.2903.24	Casing-kit -RL34 +screws, Sst.	1					1	18	26.1075.85	Bushing, open 15,5x19x4 mm PTFE	1					5
2	30.2543.84	Blue trigger RL34-82	1					2	19	10.3092.10	O-ring, 2x15 mm Vi 70	1					10
3	30.0675.84	Stop pin, 8x7,1mm PA	1					10	20	30.3173.36	Tube L.96mm M16x1 mm brass	1					5
4	30.2517.31	Parallel pin, 5x27,5 mm brass	1					10	21	30.3181.31	Coupling M15xM16 Brass	1					3
5	30.2807.56	Front tube, 53mm-M16x1 MM Sst.	1					3	22	30.3182.31	Coupling1/2 F Bsp, nickel-plated brass	1					3
6	30.2901.35	Brass housing RL34	1					2	23	26.1074.85	Bushing, 15,5x19x4 mm PTFE	1					5
7	10.4018.00	Back-up ring, 3,2x7,5x1,2 mm	1					10	24	26.1072.31	Pin, M15x1-19 mm brass	1					10
8	10.3165.00	O-ring, 2,62x2,84 mm Vi 70	1					10	25	30.2826.21	Hand nut, ARS 25 blue	1					5
9	14.3511.00	Washer, 3,2x7x0,5 mm sst.	1					10	26	26.2406.51	Snap ring, 2x18,3 mm Sst.	1					10
10	30.2802.51	Sst.plunger D.4x3x L.43mm	1					10	28	26.2405.51	Spring, 1,1x21,2x25mm Sst	1					10
11	30.2806.20	Seat, 9mm Sst.+O-ring	1					10	29	10.3176.10	O-Ring, 2,62x11,91 mm Vi 70	1					5
12	14.7461.00	Ball, 13/32" Sst.	1					10	30	10.4043.29	Back-up ring, 12 x 15 x2,9 mm	1					10
13	30.4108.51	Spring, 1,6x8,8x24 mm Sst.	1					10	31	10.3180.10	O-ring, 2,62x15,08 mm vi.	1					10
14	10.3060.10	O-ring, 1,78x12,42 mm Vi 70	1					10	32	14.7405.00	Ball, 5/32" Sst.	8					10
15	30.2803.31	Spring plug M18 brass	1					3	33	30.2822.51	Housing -ARS 25, M16- F Sst.	1					5
16	16.3075.51	S/tapping screw, DIN7981 3,5x18 mm Sst.	7					10	34	30.2825.84	Guard ring, ARS 25 blue	1					5
17	30.1510.84	Safety latch, PA red	1					10	35	30.2821.51	Coupl., M16x1F- Sst.	1					5

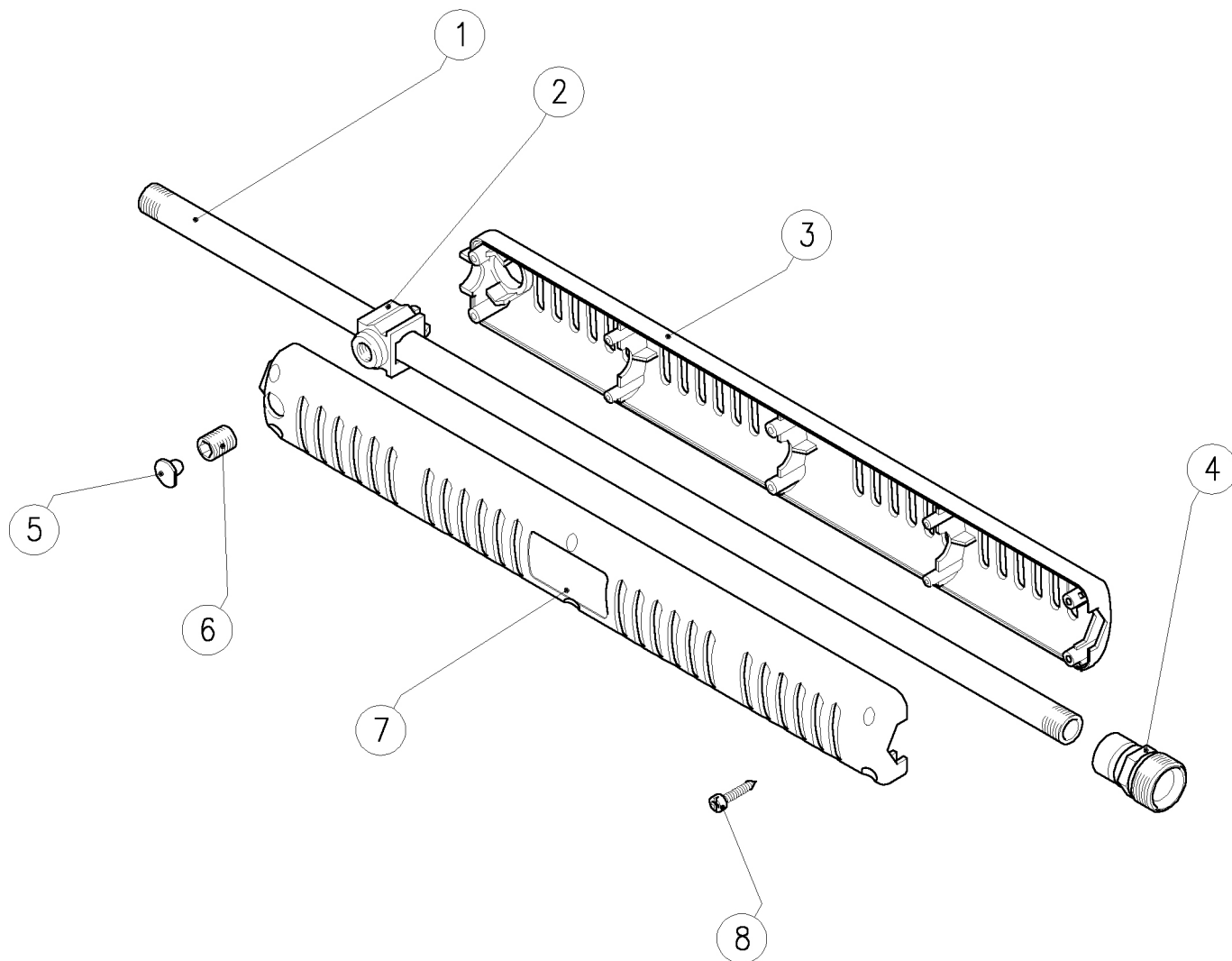
30.2940.00 RL34 br. spr.gun sw5- 1/2F Bsp+ARS 350 B



Pos.	P/N	Description	Q.ty	K1	K2	K3	K4	Pos.	P/N	Description	Q.ty	K1	K2	K3	K4
1	30.2903.24	Casing-kit -RL34 +screws, Sst.	1				1	17	30.1510.84	Safety latch, PA red	1				10
2	30.2543.84	Blue trigger RL34-82	1				2	18	26.1075.85	Bushing, open 15,5x19x4 mm PTFE	1				5
3	30.0675.84	Stop pin, 8x7,1mm PA	1				10	19	10.3092.10	O-ring, 2x15 mm Vi 70	1				10
4	30.2517.31	Parallel pin, 5x27,5 mm brass	1				10	20	30.3173.36	Tube L.96mm M16x1 mm brass	1				5
5	30.2807.56	Front tube, 53mm-M16x1 MM Sst.	1				3	21	30.3181.31	Coupling M15xM16 Brass	1				3
6	30.2901.35	Brass housing RL34	1				2	22	30.3182.31	Coupling 1/2 F Bsp, nickel-plated brass	1				3
7	10.4018.00	Back-up ring, 3,2x7,5x1,2 mm	1				10	23	26.1074.85	Bushing, 15,5x19x4 mm PTFE	1				5
8	10.3165.00	O-ring, 2,62x2,84 mm Vi 70	1				10	24	26.1072.31	Pin, M15x1-19 mm brass	1				10
9	14.3511.00	Washer, 3,2x7x0,5 mm sst.	1				10	25	30.2815.21	Hand nut, ARS 350 blue	1				5
10	30.2802.51	Sst.plunger D.4x3x L.43mm	1				10	26	26.2034.51	Snap ring, 1,4x26 mm Sst.	1				3
11	30.2806.20	Seat, 9mm Sst.+O-ring	1				10	28	26.2033.51	Spring, 1,4x29,1x25 mm Sst.	1				10
12	14.7461.00	Ball, 13/32" Sst.	1				10	29	10.3195.10	O-ring, 2,5x20 mm Vi 70	2				10
13	30.4108.51	Spring, 1,6x8,8x24 mm Sst.	1				10	30	10.3181.95	O-ring, 2,62x17,96 mm Vi 70	1				10
14	10.3060.10	O-ring, 1,78x12,42 mm Vi 70	1				10	31	14.7410.10	Ball, 3/16" Sst.	8				10
15	30.2803.31	Spring plug M18 brass	1				3	32	30.2816.51	Housing -ARS350, M16- F Sst.	1				5
16	16.3075.51	S/tapping screw, DIN7981 3,5x18 mm Sst.	7				10	33	30.2819.84	Guard ring, ARS 350 blue	1				5

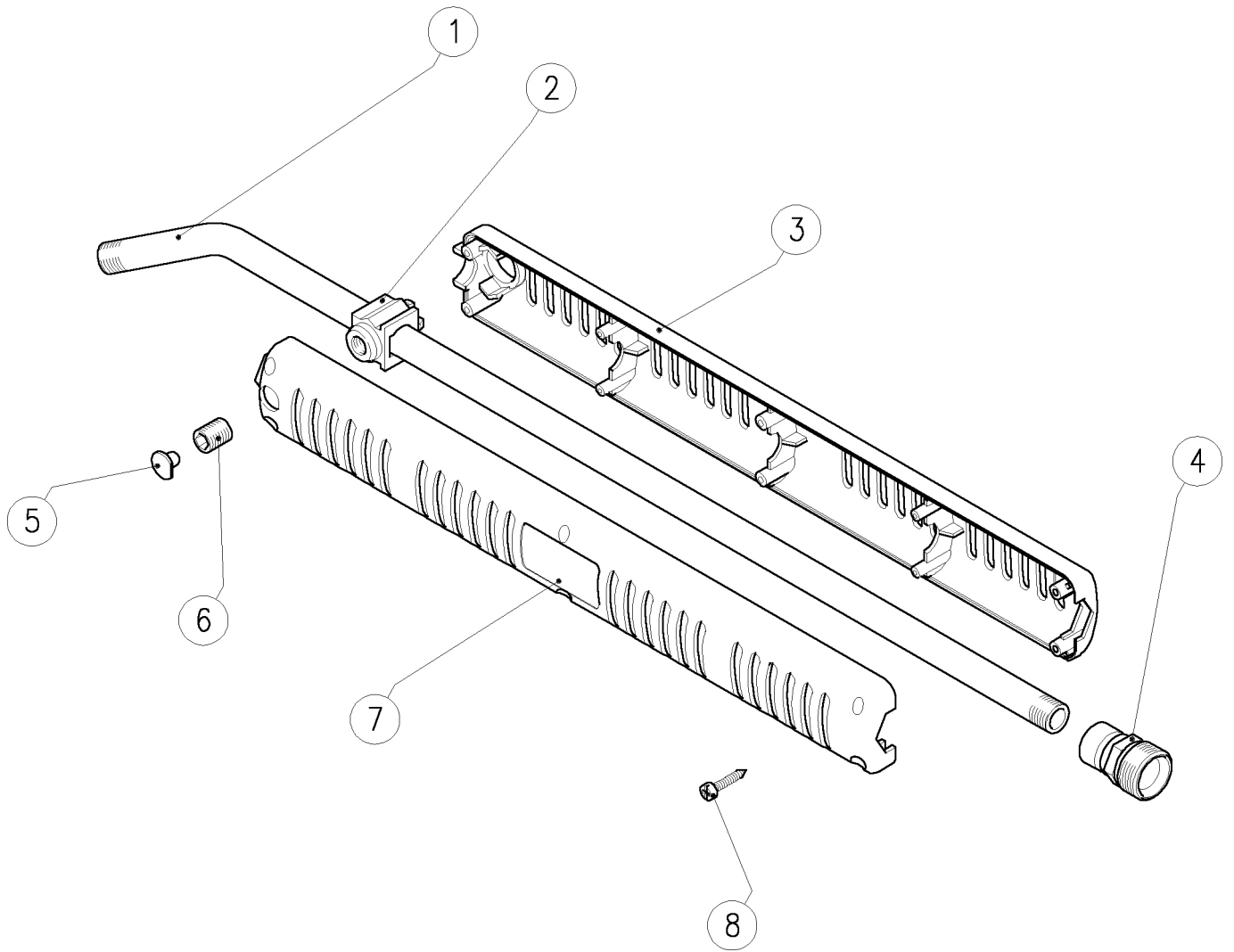
40.2550.00 Ext. 450mm straight Sst-AR3 A M22-1/4Bsp
 40.2590.00 Extn.S3-AR3 es. A M22-900mm,sstl,str.- 1/4

40.2605.00 Extn.S3-AR3 es. A M22-1050mm,sstl,str.- 1/4

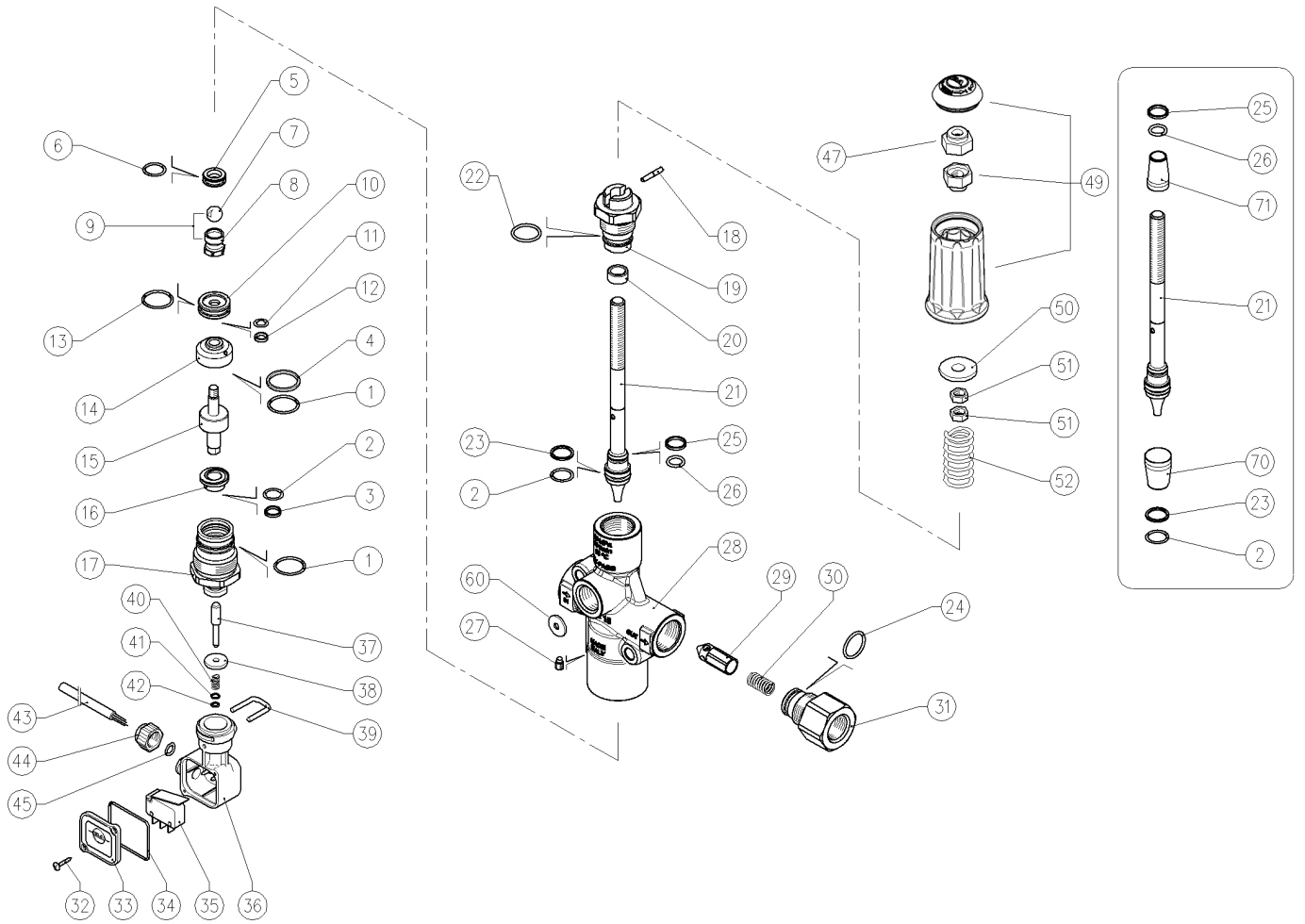


Pos.	P/N	Description	Q.ty	K1	K2	K3	K4		Pos.	P/N	Description	Q.ty	K1	K2	K3	K4	
1	40.7461.56	Tube,sst 450mm strai.1/4MM Bsp (1)	1					10	4	30.1287.31	Coupl.,M22x1,5M-1/4F Bsp int.hex.10 brs.	1					10
1	40.9011.56	Tube,sst 900mm straight. 1/4MM Bsp (2)	1					25	5	40.0303.84	Lance Plug, PA black	1					10
1	40.0028.56	Tube, 1/4Bsp MM 1050mm Sst. (3)	1					10	6	16.2230.00	Set screw, DIN916 M10x8 mm z.pl.	1					10
2	40.0304.41	Tube fastener, alum. (2)	1					10	8	16.3075.51	S/tapping screw, DIN7981 3,5x18 mm Sst.	6					10
3	40.9989.98	Casing-kit -S3 +screws,Sst.+fasten.	1					5									

(1) 40.2550.00 (2) 40.2590.00 (3) 40.2605.00



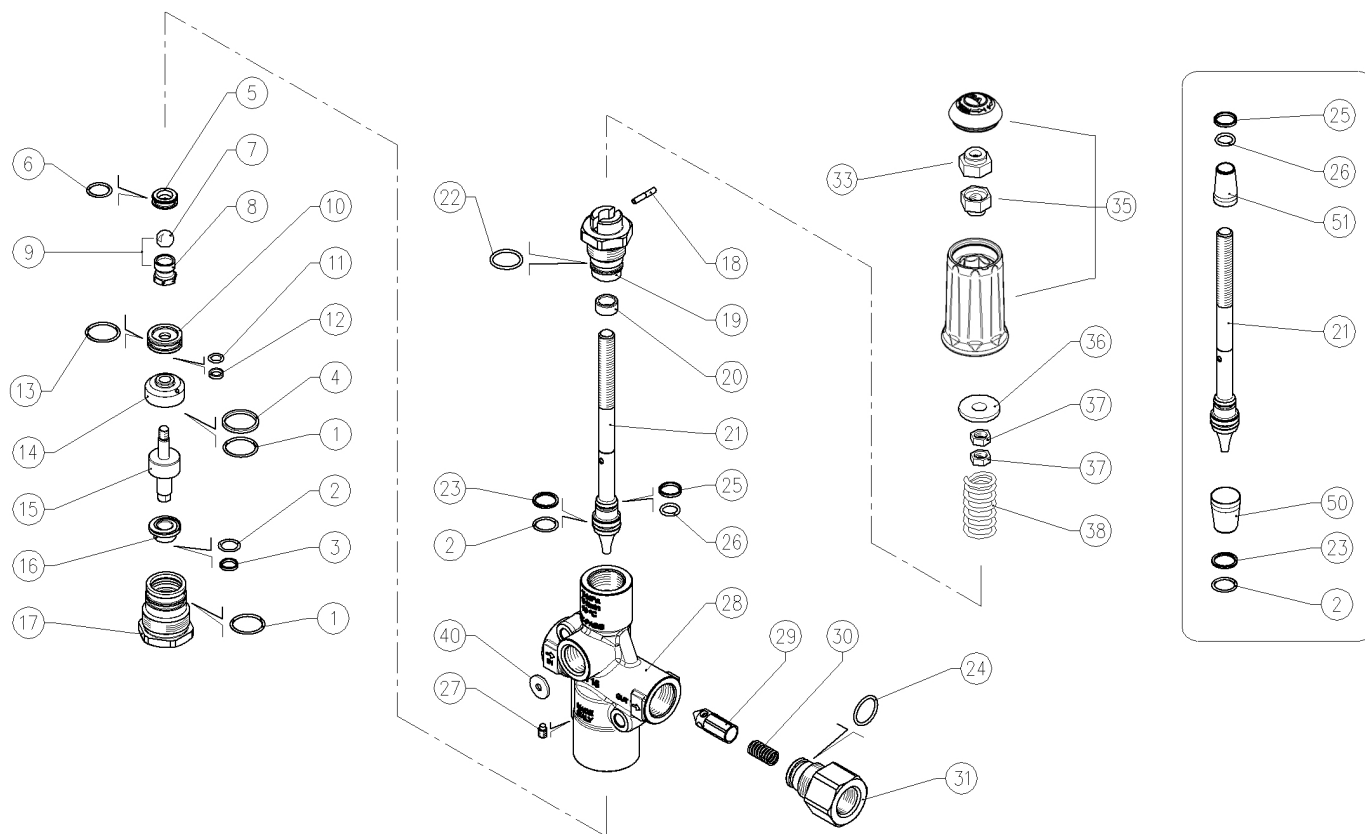
Pos.	P/N	Description	Q.ty	K1	K2	K3	K4		Pos.	P/N	Description	Q.ty	K1	K2	K3	K4	
1	40.2551.56	Tube, bent 1/4Bsp MM 450mm Sst.-40°	1					5	5	40.0303.84	Lance Plug, PA black	1					10
2	40.0304.41	Tube fastener, alum.	1					10	6	16.2230.00	Set screw, DIN916 M10x8 mm z.pl.	1					10
3	40.9989.98	Casing-kit -S3 +screws,Sst.+fasten.	1					5	8	16.3075.51	S/tapping screw, DIN7981 3,5x18 mm Sst.	6					10
4	30.1287.31	Coupl.,M22x1,5M-1/4F Bsp int.hex.10 brs.	1					10									



Pos.	P/N	Description	Q.ty	K1	K2	K3	K4		Pos.	P/N	Description	Q.ty	K1	K2	K3	K4	
1	10.3073.08	O-ring, 1,78x23,52 mm Ni 85	2					10	29	60.2801.51	Sst shutter	1					5
2	10.3060.00	O-ring, 1,78x12,42 mm	2					10	30	60.2812.51	Sst spring, 1,5x12,5x32 mm	1					10
3	10.4165.00	Back-up ring,	1					3	31	60.2809.31	Shutter coupl., 1/2F Bsp brass	1					3
4	10.4060.00	Back-up ring, 22x24x2 mm	1					10	32	16.3020.00	S/tapp. screw, 2,5x12mm chrom	2					10
5	60.2803.51	Sst seat, 10 mm	1					5	33	29.0088.84	Lid, PR5 PA black	1					10
6	10.3064.01	O-ring, 1,78x14 mm Ni 85	1					10	34	10.3206.01	O-ring, 2,62x28,25 mm	1					10
9	60.2816.21	Shutter pin, M8 +ball, 1/2"	1					5	35	12.5006.00	Cable, 3x0,75 L.1000 mm+ Microswitch	1					5
10	60.2806.31	9 mm brass piston ring	1					5	36	29.0089.84	Housing, PR5 PA black	1					10
11	10.3058.01	O-ring, 1,78x10,82 mm	1					10	37	60.2452.31	Brass pin	1					3
12	10.4061.00	Back-up ring, 9x11x2 mm	1					10	38	29.0086.31	Washer, 4x16x2,5 mm brass	1					10
13	10.3070.02	O-ring, 1,78x18,77 mm Ni 85	1					10	39	29.0087.51	U-bolt, Sst.	1					10
14	60.2807.31	9x26,9 mm brass piston ring	1					5	40	60.0867.51	Spring, 0,5x6,5x22 mm Sst.	1					25
15	60.2802.51	Sst pin	1					5	41	14.3519.00	Washer, 4x8x0,5 mm brass	1					10
16	60.2808.31	10,7 mm brass piston ring	1					5	42	10.3038.00	O-ring, 1,78x3,68 mm	1					10
17	60.2851.31	PR5 lower plug, brass	1					3	44	29.0109.84	Locknut for cable gland, PA red	1					10
18	15.1021.00	Roll pin, 3x14 mm Sst.	1					10	45	10.3169.00	O-ring, 2,62x6,02 mm	1					10
19	60.2804.31	Piston holder, brass	1					5	47	11.4589.10	Hex. locknut, M8	1					10
20	30.0728.84	Bushing, 9x13x6 mm plast. black	1					10	49	60.0148.24	Knob + Plug -Pulsar4	1					5
21	60.2813.51	Sst. valve piston	1					5	50	14.3720.40	Washer, 9,2x24x0,5 mm	1					10
22	10.3068.01	O-ring, 1,78x17,17 mm Ni 85	1					10	51	11.4573.31	Hex. nut, M8, brass	2					10
23	10.4161.00	Back-up ring, 18 mm	1					3	52	60.0033.61	Spring, 5,7x26x53 mm blue	1					5
24	10.3072.60	O-ring, 1,78x21,95 mm Ni 85	1					10	60	60.2624.31	Nozzle, 4,5 mm brass x1/2 Bsp **	1					10
25	10.4162.00	Back-up ring, 14,2 mm	1					3	60	60.2625.31	Nozzle, 5,5 mm brass x 1/2 Bsp **	1					10
26	10.3057.00	O-ring, 1,78x9,25 mm	1					10	70	10.4407.00	Seal frame >VB60-80 zero **	1					1
27	16.2203.00	Set screw, DIN915 M6x10 mm Sst.	1					10	71	10.4408.00	Seal frame >VB60-80 zero **	1					1
28	60.2805.35	Housing -VB80/280.Zero, 1/2Bsp F brass	1					3									

** On request

60.2800.00 VB80/280 Zero Unload.-flow activated 1/2Bsp



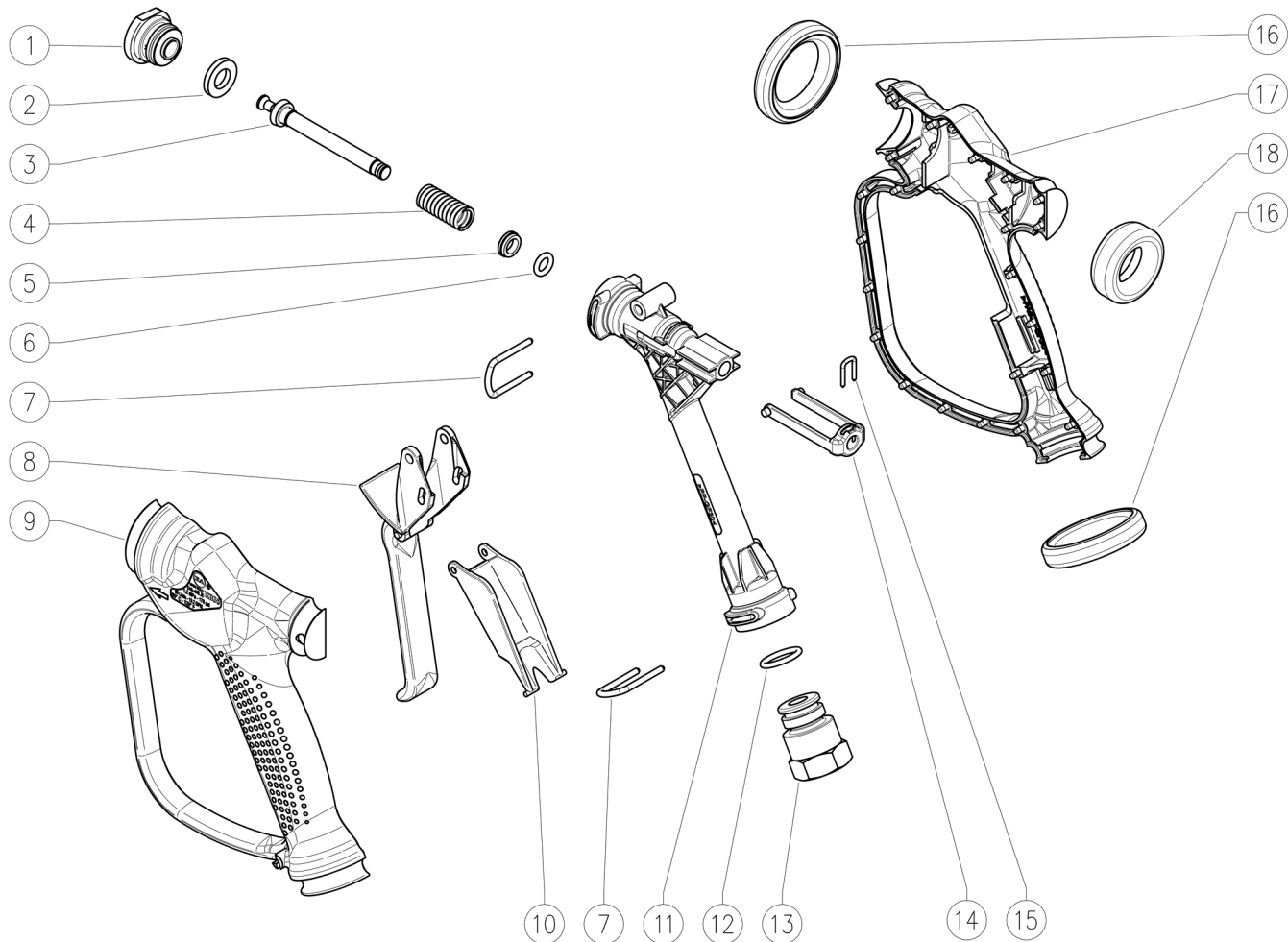
Pos.	P/N	Description	Q.ty	K1	K2	K3	K4	Pos.	P/N	Description	Q.ty	K1	K2	K3	K4
1	10.3073.08	O-ring, 1,78x23,52 mm Ni 85	2	•			10	22	10.3068.01	O-ring, 1,78x17,17 mm Ni 85	1	•			10
2	10.3060.00	O-ring, 1,78x12,42 mm	2	•			10	23	10.4161.00	Back-up ring, 18 mm	1	•			3
3	10.4165.00	Back-up ring,	1	•			3	24	10.3072.60	O-ring, 1,78x21,95 mm Ni 85	1	•			10
4	10.4060.00	Back-up ring, 22x24x2 mm	1	•			10	25	10.4162.00	Back-up ring, 14,2 mm	1	•			3
5	60.2803.51	Sst seat, 10 mm	1	•			5	26	10.3057.00	O-ring, 1,78x9,25 mm	1	•			10
6	10.3064.01	O-ring, 1,78x14 mm Ni 85	1	•			10	27	16.2203.00	Set screw, DIN915 M6x10 mm Sst.	1				10
9	60.2816.21	Shutter pin, M8 +ball, 1/2"	1	•			5	28	60.2805.35	Housing -VB80/280.Zero, 1/2Bsp F brass	1				3
10	60.2806.31	9 mm brass piston ring	1				5	29	60.2801.51	Sst shutter	1				5
11	10.3058.01	O-ring, 1,78x10,82 mm	1	•			10	30	60.2812.51	Sst spring, 1,5x12,5x32 mm	1				10
12	10.4061.00	Back-up ring, 9x11x2 mm	1	•			10	31	60.2809.31	Shutter coupl., 1/2F Bsp brass	1				3
13	10.3070.02	O-ring, 1,78x18,77 mm Ni 85	1	•			10	33	11.4589.10	Hex. locknut, M8	1				10
14	60.2807.31	9x26,9 mm brass piston ring	1				5	35	60.0148.24	Knob + Plug -Pulsar4	1				5
15	60.2802.51	Sst pin	1				5	36	14.3720.40	Washer, 9,2x24x0,5 mm	1				10
16	60.2808.31	10,7 mm brass piston ring	1				5	37	11.4573.31	Hex. nut, M8, brass	2				10
17	60.2810.31	Lower plug, brass	1				3	38	60.0033.61	Spring, 5,7x26x53 mm blue	1				5
18	15.1021.00	Roll pin, 3x14 mm Sst.	1				10	40	60.2624.31	Nozzle, 4,5 mm brass x1/2 Bsp **	1				10
19	60.2804.31	Piston holder, brass	1				5	40	60.2625.31	Nozzle, 5,5 mm brass x 1/2 Bsp **	1				10
20	30.0728.84	Bushing, 9x13x6 mm plast. black	1	•			10	50	10.4407.00	Seal frame >VB60-80 zero **	1				1
21	60.2813.51	Sst. valve piston	1				5	51	10.4408.00	Seal frame >VB60-80 zero **	1				1

** On request

Kit	P/N	Description	Q.ty
K1	60.2814.24	Spares kit -VB80/280.Zero, 16x1pcs.	1

30.6200.00 RB 35 -low pressure gun -50°C

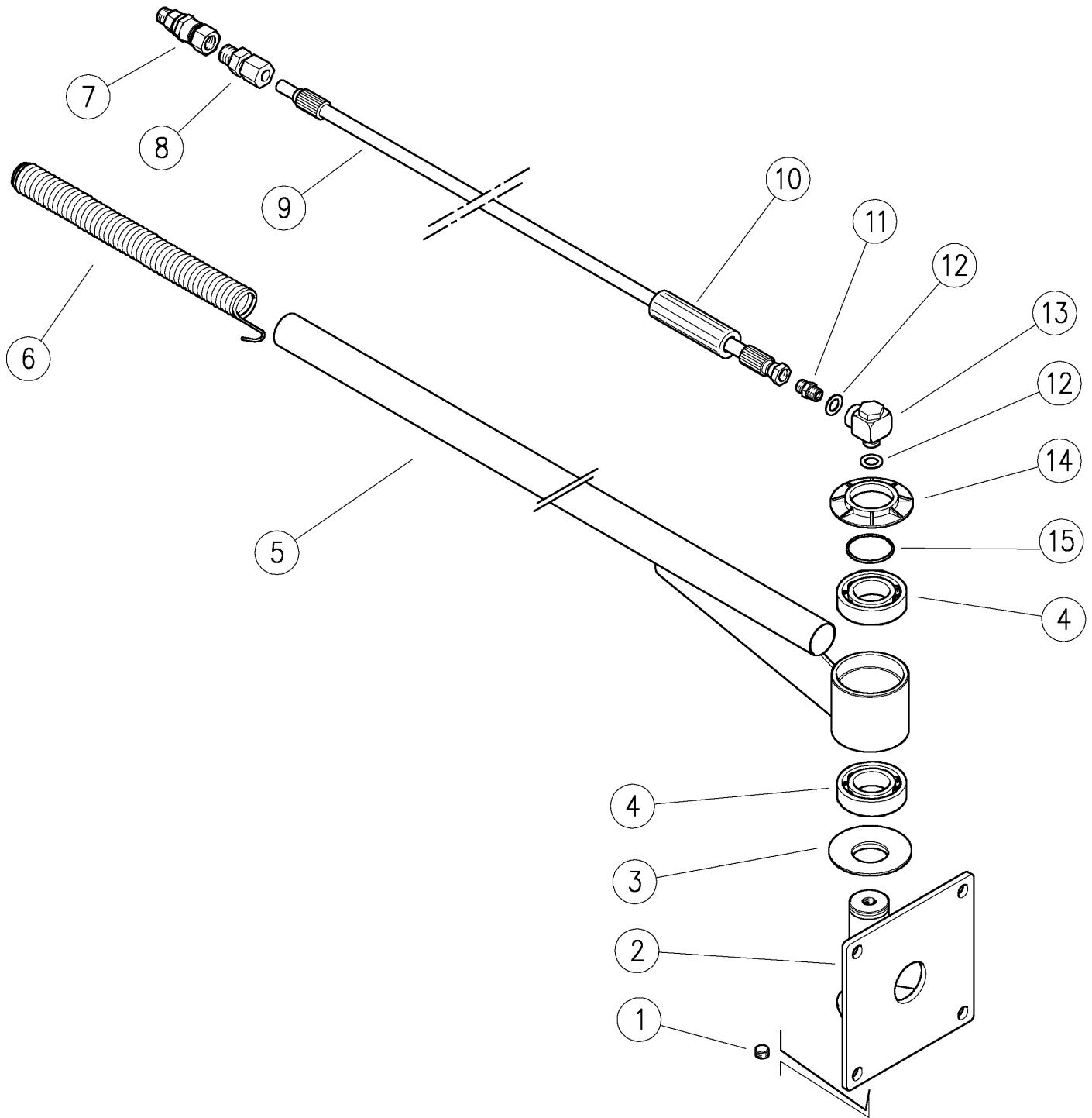
30.6250.00 RB 35 -low pressure gun -80°C



Pos.	P/N	Description	Q.ty	K1	K2	K3	K4	Pos.	P/N	Description	Q.ty	K1	K2	K3	K4
1	30.6205.84	Front nozzle -RB35, 50°C (1)	1				5	9	30.6202.84	Upper handle-RB35 blue-50°C (1)	1				3
1	30.6255.84	Front nozzle -RB35, 80°C (2)	1				5	9	30.6251.84	Upper handle-RB35 blue-80°C (2)	1				3
2	30.6408.85	Front seal, 11x20,5x3 mm FKM80 (1)	1				10	10	30.6213.84	Lid, RB35 PA blue	1				3
2	30.6207.85	Front seal, 11x20,5x3 mm Epdm (2)	1				10	11	30.6208.84	Housing -RB35-50°C (1)	1				3
3	30.6211.31	Piston -RB35, brass.-50°C (1)	1				5	11	30.6252.84	Housing -RB35-80°C (2)	1				3
3	30.6211.51	Piston -RB35, aisi303 Sst.-80°C (2)	1				5	12	10.3181.53	O-ring, 2,62x17,2 mm (1)	1				10
4	30.6410.51	Spring, 1,8x12,8x40 mm Sst. (1)	1				10	12	10.3181.88	O-Ring, 2,62x17,12 mm Epdm (2)	1				10
4	30.6410.60	Spring, 1,8x12,8x40 mm aisi316 Sst. (2)	1				5	13	30.6214.31	Coupl., -1/2F Bsp brass (1)	1				3
5	30.6209.31	Brass piston ring (1)	1				5	13	30.6214.51	Coupl., -1/2F Bsp aisi303 Sst. (2)	1				3
5	30.6209.51	Sst seal piston ring (2)	1				5	14	30.6210.84	Connecting rod, blue (1)	1				3
6	10.3170.10	O-ring, 2,62x7,6 mm Vi 70 (1)	1				10	14	30.6253.84	Grey connecting rod (2)	1				3
6	10.3170.18	O-ring, 2,62x7,6 mm Epdm (2)	1				10	15	12.0050.27	U-bolt, Sst. d.2mm	1				10
7	30.6206.51	U-bolt, Sst. d.3mm	1				10	16	30.6203.85	Front guard ring, blue	2				5
8	30.6212.84	Trigger -RB35, PA blue (1)	1				3	17	30.6201.84	Lower handle-RB35 blue	1				3
8	30.6254.84	Trigger -RB35, PA grey (2)	1				3	18	30.6204.85	Back guard ring, blue	1				5

(1) 30.6200.00 (2) 30.6250.00

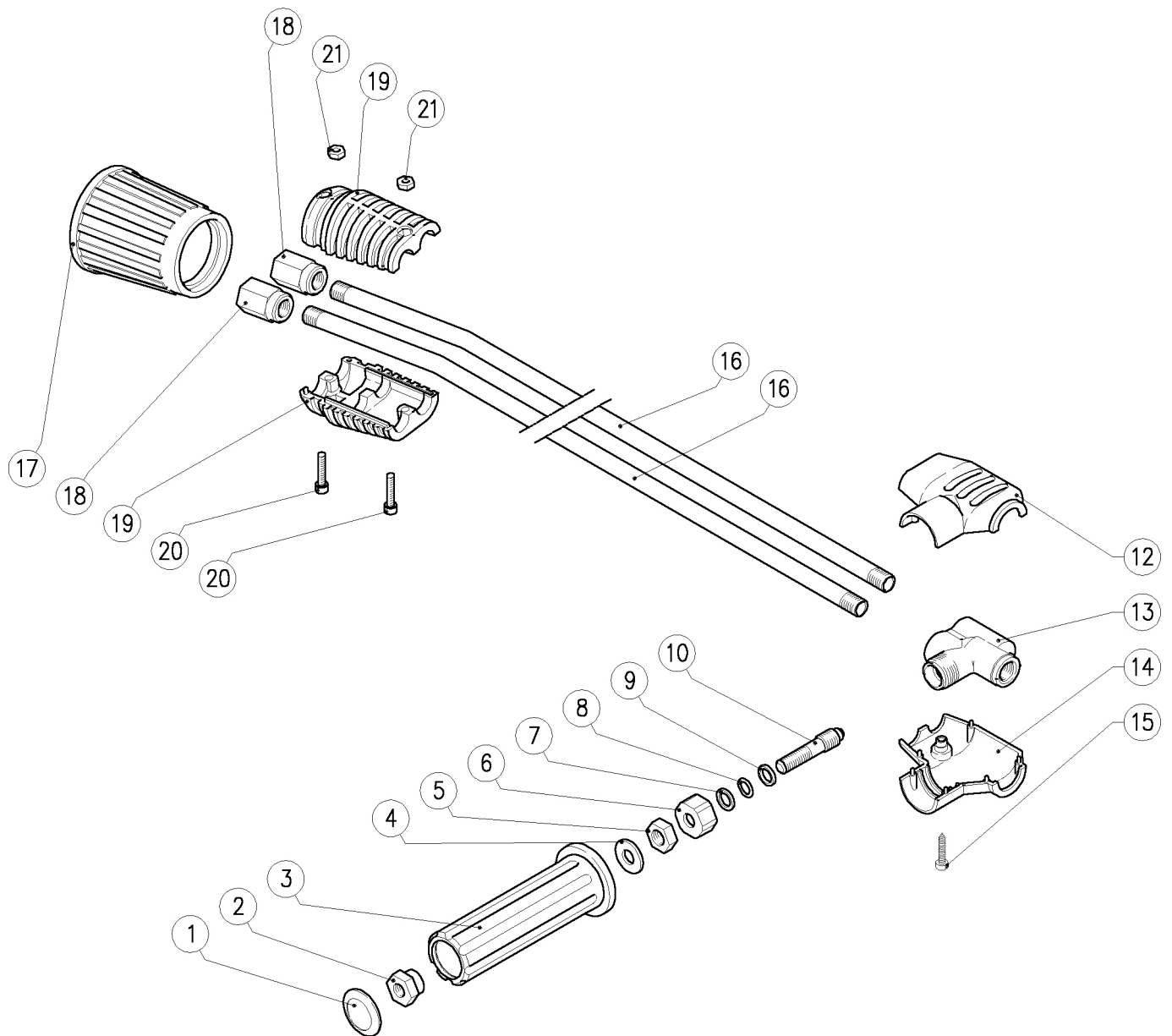
28.3380.00 BPE Boom 1980mm 1 spring straight



Pos.	P/N	Description	Q.ty	K1	K2	K3	K4	
1	28.0364.31	Plug, int.hex. 1/4 Bspt brass	1					10
2	28.3061.21	Wall mount pin, Sst.	1					1
3	28.3001.84	Guard ring, PVC black	1					10
4	11.4439.68	Ball-bearing, 40x68x15 mm - 2RS1	2					2
5	28.3352.21	BTDiE boom 1630 mm Sst	1					1
6	28.3301.51	Spring, 380mm, Sst.	1					5
7	26.1200.40	SW25 Swivel,ball-bear. 3/8 MF Bsp	1					5
8	13.5023.00	Ring fitting, 3/8M Bspt-d.12F	1					5

Pos.	P/N	Description	Q.ty	K1	K2	K3	K4	
9	16.0510.70	Hose, 1/4F Bsp-12 1,97m	1					1
10	28.3064.85	Hose protector 120 mm	1					10
11	13.5006.00	Nipple,z.pl. 1/4MM Bsp	1					25
12	14.3813.22	Washer, 13,2x22x1,5 mm alu.	2					25
13	26.1300.20	SW90 Swivel 90°, sst, 1/4 MF Bsp	1					5
14	28.3004.84	Guard ring, PVC black	1					10
15	28.3002.51	Snap ring, 2,5x36,8 mm Sst.	1					10

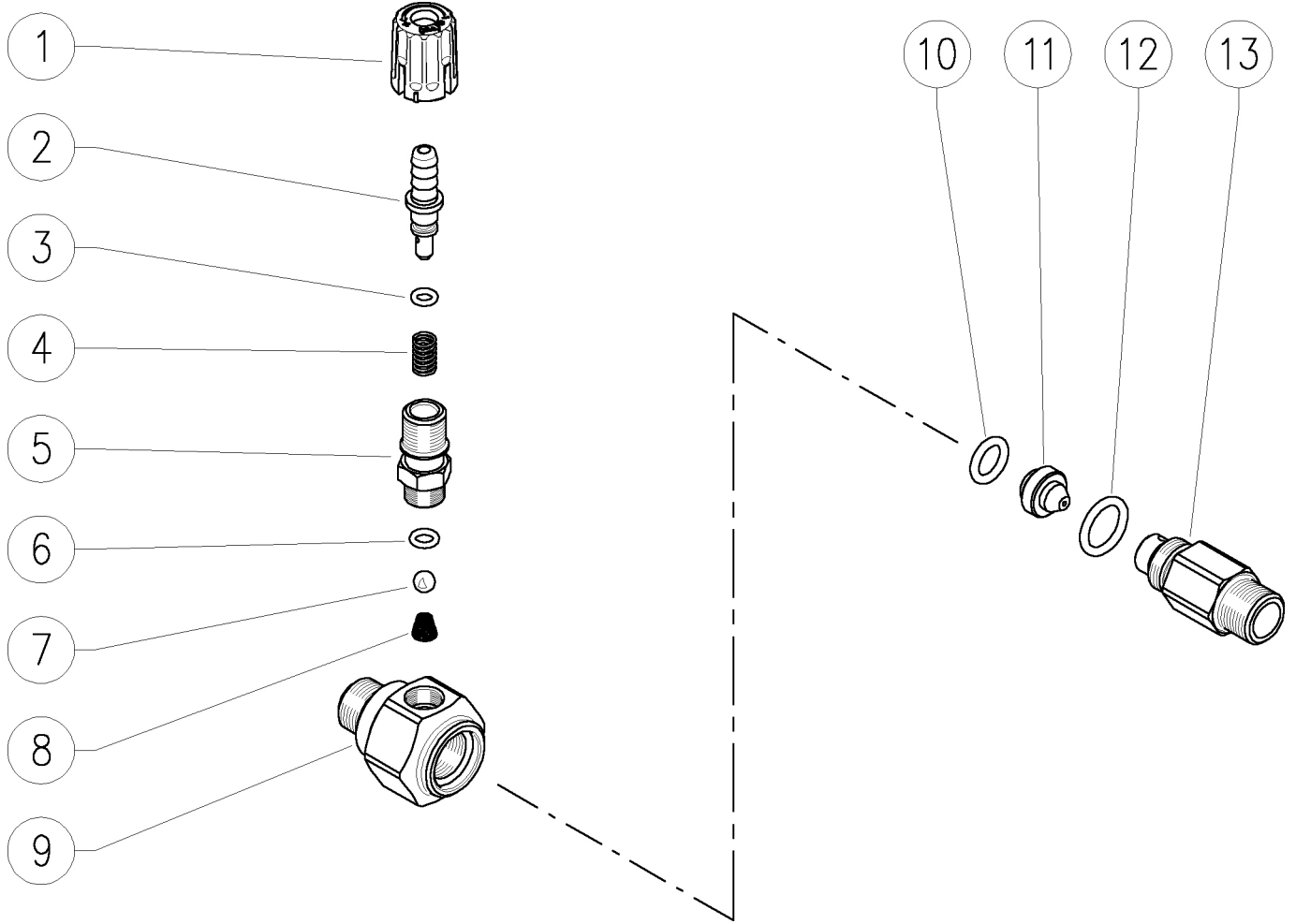
41.0050.00 Front.extn.LD9sst 700mm 1/4sst+nzl/hold.



Pos.	P/N	Description	Q.ty	K1	K2	K3	K4		Pos.	P/N	Description	Q.ty	K1	K2	K3	K4	
1	30.6478.84	Plug, Knob PP blue	1					5	12	41.0061.24	Casing-kit -LD9-1/4" +screws-blue	1					1
2	41.0410.31	Special nut, M8 brass	1					5	13	41.0051.55	Valve housing -LD, 1/4FFF Bsp sst.	1					1
3	41.0054.84	Knob, 32x115 mm PP blue	1					5	15	16.3075.51	S/tapping screw, DIN7981 3,5x18 mm Sst.	1					10
4	14.3572.51	Washer, 8,4x21x1,5 mm sst.	1					10	16	40.7711.56	Tube,Sst. 700mm straight. 1/4MM Bsp	2					50
5	11.4574.11	Hex. nut, M8, Sst.	1					10	17	41.0055.81	Nozzle protection -LD, TPEs blue	1					10
6	41.0057.51	Ring nut, M18x1,5 sst	1					5	18	40.0007.51	Nozzle holder, 1/4F Bsp-1/4F Npt Sst.	2					10
7	10.4020.00	Back-up ring, 8x12,6x1,2 mm	1					10	19	41.0056.84	Semi-shell, 1/4" PA blue	2					10
8	10.3170.00	O-ring, 2,62x7,6 mm	1					10	20	16.1854.51	Screw, DIN912 M4x20 mm sst..	2					10
9	14.3571.12	Washer, 8,2x12x2 mm sst.	1					10	21	11.4513.10	Hex. nut, M4, Sst.	2					10
10	41.0059.21	Shutter, LD Sst.	1					5									

21.0500.12 Sst injector,adjust. 3/8MM Bsp 1,2mm
 21.0500.14 Sst injector,adjust. 3/8MM Bsp 1,4mm

21.0500.18 Sst injector,adjust. 3/8MM Bsp 1,8mm
 21.0500.21 Sst injector,adjust. 3/8MM Bsp 2,1mm

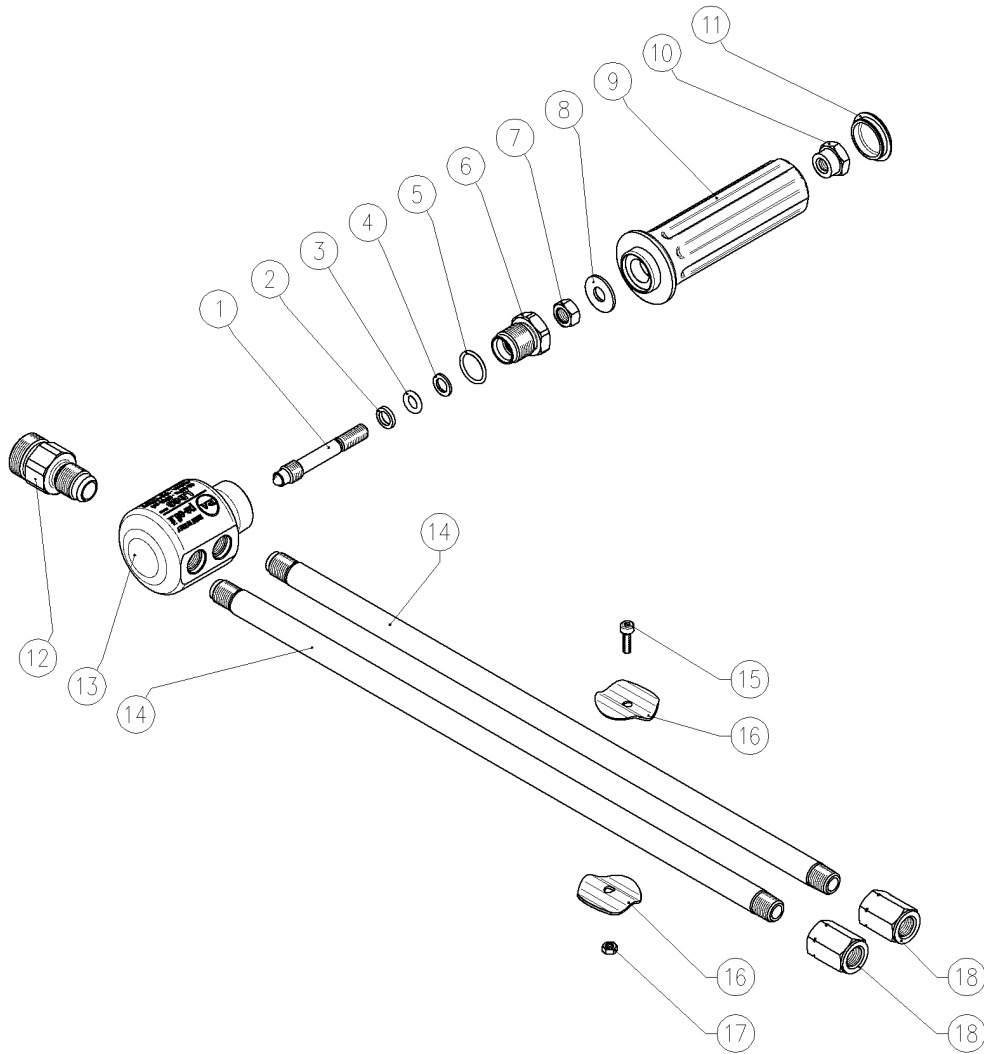


Pos.	P/N	Description	Q.ty	K1	K2	K3	K4	
1	21.0171.84	Inject.knob, 1/4F Bsp black	1					10
2	21.0155.90	Hose barb, d.8 mm sst.+o-ring	1					3
3	10.3043.01	O-ring, 1,78x4,48 mm Vi 70	1					10
4	21.0158.51	Spring, 0,8x7x15 mm Sst.	1					10
5	21.0173.51	Coupling, M12x1-1/4M Bsp Sst.	1					5
6	10.3049.05	O-ring, 1,78x5,28 mm PTFE	1					10
7	14.7420.01	Ball, 7/32" Sst. Aisi 316	1					10
8	21.0160.51	Tapered spring, Sst. -inject.	1					10

Pos.	P/N	Description	Q.ty	K1	K2	K3	K4	
9	21.0501.51	Inject.housing, 3/8M Bsp sst	1					3
10	10.3174.10	O-ring, 2,62x9,93 mm Vi 70	1					10
11	21.0507.51	Inject.nozzle, D.15 - 1,2 mm Sst. (1)	1					5
11	21.0508.51	Inject.nozzle, D.15 - 1,4 mm Sst. (2)	1					5
11	21.0504.51	Inject.nozzle, D.15 - 1,8 mm Sst. (3)	1					5
11	21.0505.51	Inject.nozzle, D.15 - 2,1 mm Sst. (4)	1					5
12	10.3179.10	O-ring, 2,62x13,94 mm Vi 70	1					10
13	21.0502.51	Extended coupling, 3/8M Bsp sst	1					3

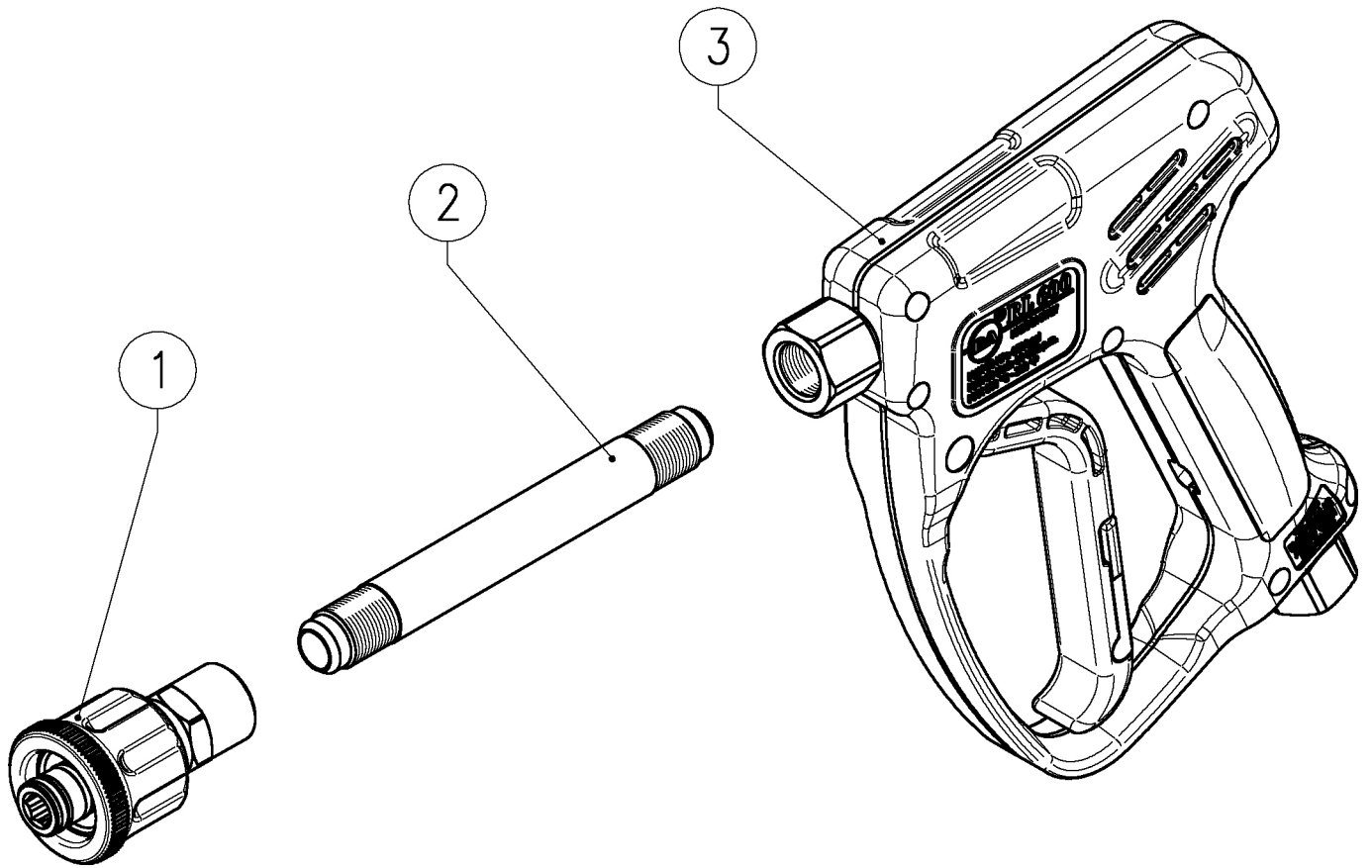
(1) 21.0500.12 (2) 21.0500.14 (3) 21.0500.18 (4) 21.0500.21

41.0000.00 LD60sst. Ai303 - front section-M24



Pos.	P/N	Description	Q.ty	K1	K2	K3	K4		Pos.	P/N	Description	Q.ty	K1	K2	K3	K4	
1	41.0004.21	Shutter, LD60 Sst.	1					5	10	41.0410.31	Special nut, M8 brass	1					5
2	14.3571.12	Washer, 8,2x12x2 mm sst.	1					10	11	30.6478.84	Plug, Knob PP blue	1					5
3	10.3170.00	O-ring, 2,62x7,6 mm	1					10	12	41.0006.51	AR9 A M24 screw-type npl.3/8M Bsp	1					10
4	10.4020.00	Back-up ring, 8x12,6x1,2 mm	1					10	13	41.0001.51	Valve housing -LD60, 1/4FF Bsp sst.	1					1
5	10.3066.00	O-ring, 1,78x15,6 mm	1					10	14	41.0005.56	Tube,Sst. 420mm straight. 1/4MM Bst	2					10
6	41.0002.51	Sst. plug M18	1					5	15	16.1852.10	Screw, DIN912 M4x14 mm Sst.	1					10
7	11.4574.11	Hex. nut, M8, Sst.	1					10	16	41.0007.51	Tube washer, sst.	2					10
8	14.3572.51	Washer, 8,4x21x1,5 mm sst.	1					10	17	11.4513.10	Hex. nut, M4, Sst.	1					10
9	30.6487.84	Knob, 32x115 mm PP blue	1					3	18	30.2037.51	Coupling, 1/4F Npt-1/4F Bspt Sst.	2					5

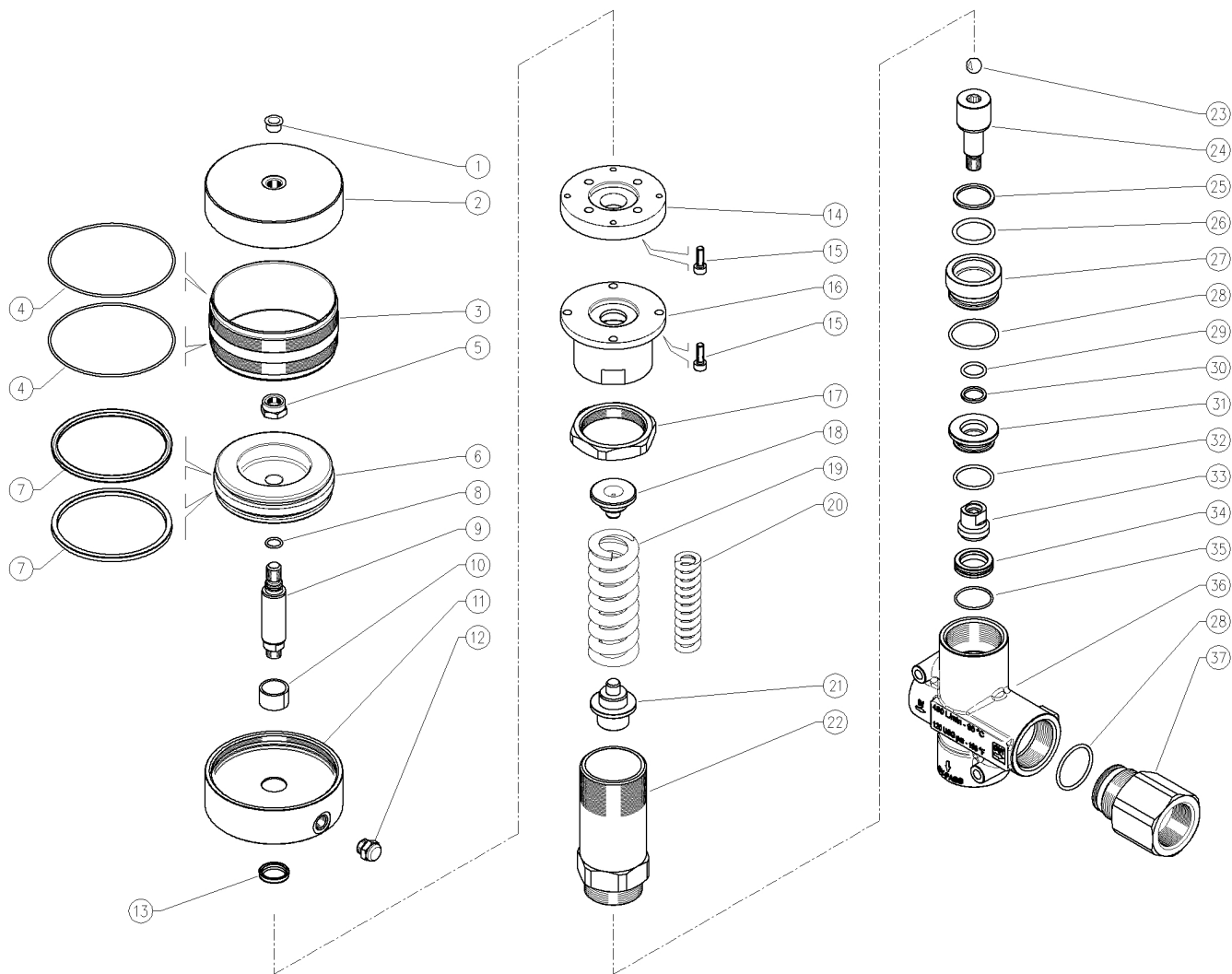
30.5830.00 RL600sst. Ai303 - lance 140 mm ->AR9 'B'



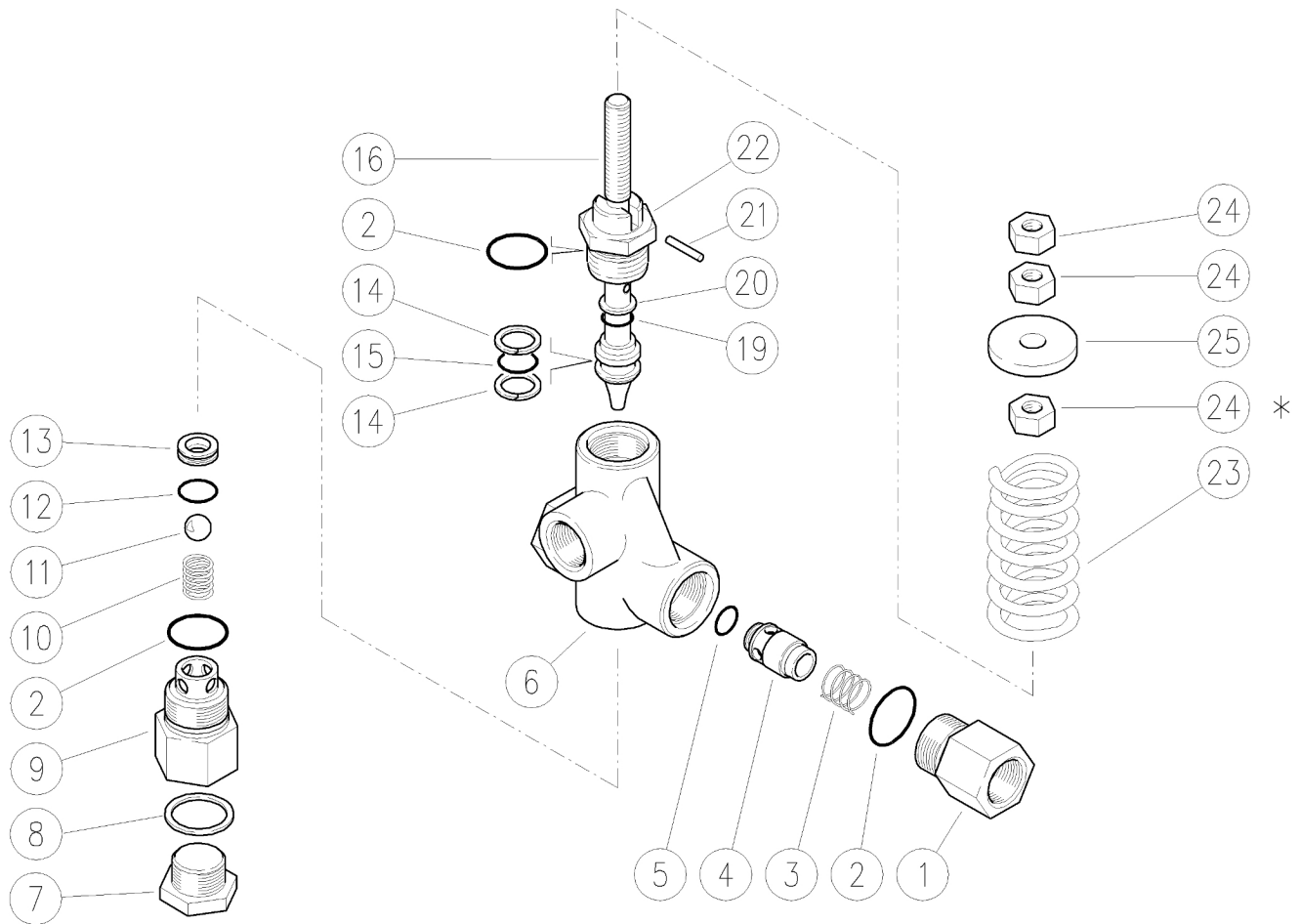
Pos.	P/N	Description	Q.ty	K1	K2	K3	K4	
1	26.0950.49	AR9 B M24,3pcs 15mm scr.cpl,sst-3/8F Bsp	1					10
2	30.5831.56	Tube, 3/8Bsp MM 140 mm Sst.	1					3

Pos.	P/N	Description	Q.ty	K1	K2	K3	K4	
3	30.5800.00	RL600 spr.gun,sst 3/8 FF Bsp	1					1

60.5360.00 VRPP 450-200 regul.valv. 1"1/4F Bsp -air



Pos.	P/N	Description	Q.ty	K1	K2	K3	K4	Pos.	P/N	Description	Q.ty	K1	K2	K3	K4
1	15.3720.14	Plug, 1/4" Bsp plast.	1				4	20	60.4015.61	Spring	1				2
2	60.5325.41	Valve bottom, Al	1				3	21	60.4010.31	Ball holder	1				3
3	60.5324.46	Jacket, Al	1				3	22	60.5362.31	Spring holder, brass	1				1
4	10.3106.00	O-ring, 2x103 mm	2	•			5	23	14.7465.00	Ball, 1/2" Sst.	1				5
5	11.4740.00	Hex. nut, M12	1				10	24	60.4004.51	Piston, M 12	1				3
6	60.5326.41	Piston, Al	1				3	25	10.4096.00	Back-up ring, 28x34x2mm	1	•			5
7	10.2100.00	Piston seal, 90x100x4,5 mm	2	•			5	26	10.3246.05	O-ring 3,53x28,17 mm	1	•			5
8	10.3058.01	O-ring, 1,78x10,82 mm	1	•			10	27	60.4007.31	Bushing	1				3
9	60.5321.61	Piston, 20-M12x94 mm	1				3	28	10.3208.28	O-ring, 2,62x36,17 mm Ni85	2	•			5
10	60.5323.85	Bushing, opn. 20x24x14,8 mm PTFE	1	•			3	29	10.3181.20	O-ring, 2,62x15,88 mm	1	•			10
11	60.5322.41	Valve head, Al	1				3	30	10.4084.00	Back-up ring, 16x20,5x2mm	1	•			5
12	11.8901.14	Pneum. filter, G1/4	1				3	31	60.4005.31	Bushing	1				3
13	10.2020.25	Stem seal, 20x25x4 mm	1	•			5	32	10.3206.08	O-ring, 2,62x28,25 mm Ni85	1	•			10
14	60.5364.31	Flange for VRPP 450	1				1	33	60.4003.51	Shutter, M 12	1	•			3
15	16.1895.18	Screw, DIN912 M6x18 mm z.pl.	8				4	34	60.4002.51	Seat	1	•			3
16	60.5363.31	Piston holder, brass	1				1	35	10.3077.08	O-ring, 1,78x28,3 mm Ni 85	1	•			10
17	60.5361.31	Ring nut, M55 brass	1				1	36	60.4001.35	Housing -VB450, 1"1/4Bsp F, brass	1				1
18	60.4016.31	Spring holder	1				3	37	60.4014.31	Piston holder, 1"1/4 Bsp F	1				3
19	60.4006.61	Spring, 9x33x110mm	1				2								
Kit	P/N	Description													
K1	60.4222.24	Spares kit -VRP 450/200-300, 9x1pcs.	1												
K2	60.5327.24	Spares kit -pneum. cylinder, 5x1pcs.	1												

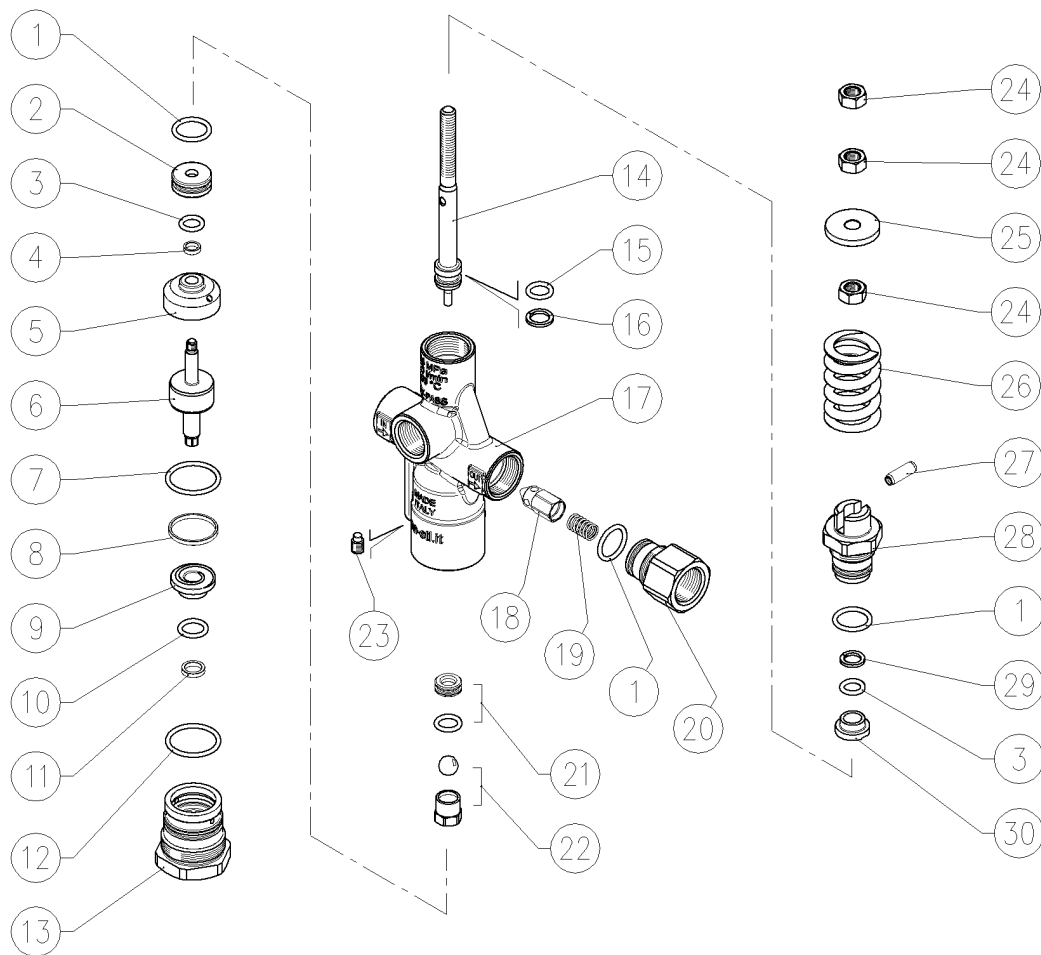


Pos.	P/N	Description	Q.ty	K1	K2	K3	K4	Pos.	P/N	Description	Q.ty	K1	K2	K3	K4
1	60.0402.31	Shutter coupl., 1/2F Bsp brass	1				5	13	60.0408.51	Seat, 8,5x15,9x4,5 mm Sst.	1	.	.	.	5
2	10.3072.01	O-ring, 1,78x20,35 mm Ni 85 (1)	3	.	.		10	14	10.4014.00	Back-up ring, opn. 18x13,5x1,2 mm	2	.	.	.	10
2	10.3072.18	O-ring, 1,78x20,35 mm EPDM (2,3)	3		.		5	15	10.3178.00	O-ring, 2,62x13,1 mm (1)	1	.	.	.	10
3	60.0409.51	Spring, 0,8x15,4x13 mm Sst.	1				5	15	10.3178.18	O-ring, 2,62x13,1 mm EPDM (2)	1		.		5
4	60.0403.99	Shutter pin, brass+ or 4x8 mm	1				5	15	10.3178.33	O-ring, 2,62x12,37 mm Kalrez (3)	1				2
5	10.3292.00	O-ring, 4x8 mm (1)	1	.	.		10	16	60.0407.51	Piston, M10 Sst.	1				5
5	10.3292.10	O-ring, 4x8 mm Vi 70 (2,3)	1		.		10	19	10.3174.00	O-ring, 2,62x9,93 mm (1)	1	.	.		10
6	60.0426.35	Housing -VB80, 1/2F Bsp brass	1				3	19	10.3174.18	O-ring, 2,62x9,93 mm EPDM (2)	1		.		5
7	60.0413.31	Plug,brass 1/2 Bsp, hex.27	1				10	19	10.3174.33	O-ring, 2,62x9,19 mm Kalrez (3)	1				2
8	14.4290.00	Washer, 22x27x1,5 mm alu.	1				10	20	10.4015.00	Back-up ring, 10x14,5x1,2 mm	1	.	.	.	10
9	60.0405.31	Suction coupl., 1/2F Bsp brass	1				3	21	15.1032.00	Roll pin, 3x18 mm Sst.	1				10
10	60.0410.51	Spring, 1,6x11,5x20 mm Sst.	1				5	22	60.0404.31	Piston holder, brass	1				3
11	14.7461.00	Ball, 13/32" Sst.	1	.	.	.	10	23	60.0411.61	Spring, 6,5x33x70 mm white	1				3
12	10.3060.01	O-ring, 1,78x12,42 mm Ni 85 (1)	1	.	.		10	24	11.4629.00	Hex. nut, M10	3				10
12	10.3060.18	O-ring, 1,78x12,42 mm EPDM (2,3)	1		.		5	25	60.0406.31	Spring holding washer, brass	1				10

Kit	P/N	Description	Q.ty
K1	60.0415.24	Spares kit -VB80, 9x1pcs.	1
K2	60.0414.24	Spares kit -VB80/150-200, 9x5pcs.	1
K3	60.0417.24	Spare parts kit VB80 Epdm pcs. 9x1	1

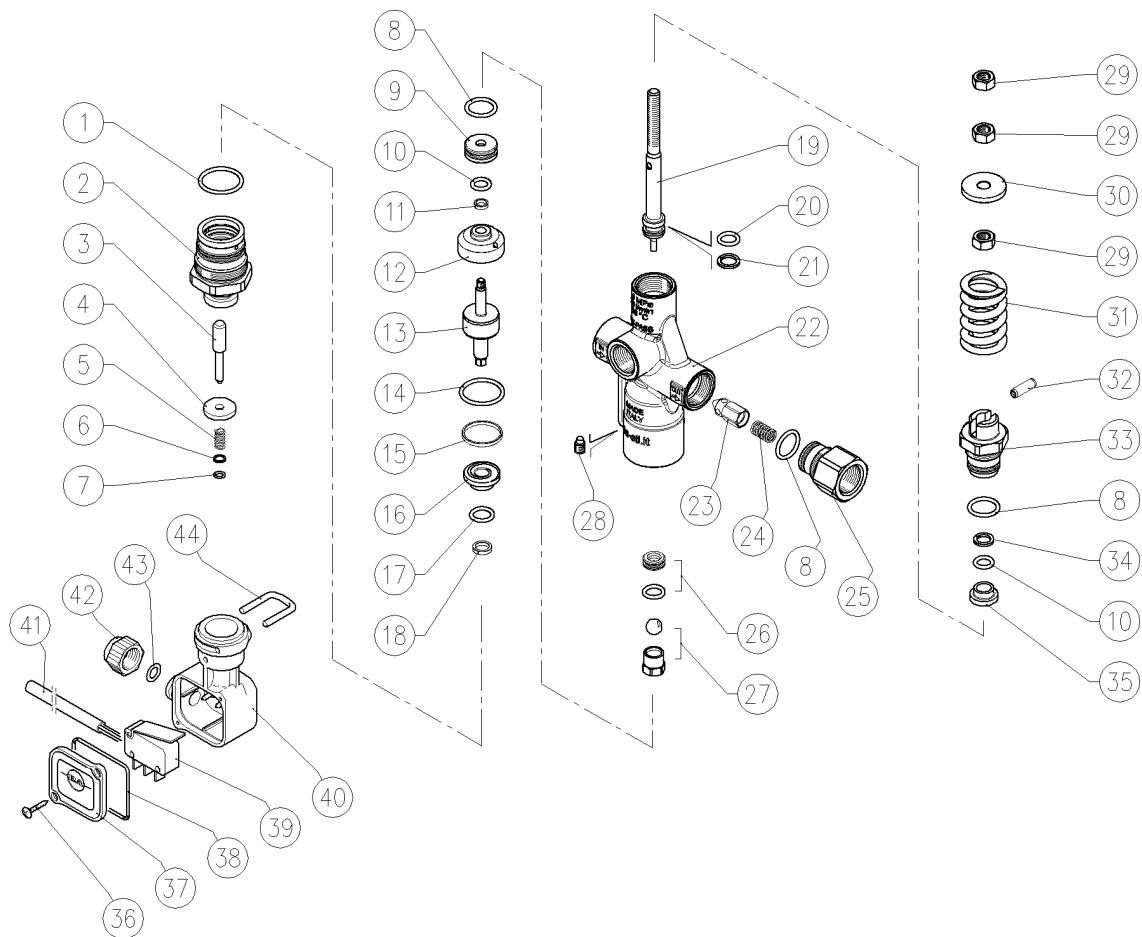
(1) 60.0425.00 (2) 60.0425.08 (3) 60.0425.33

60.2500.00 VB20-160 Zero Unload.-flow activated



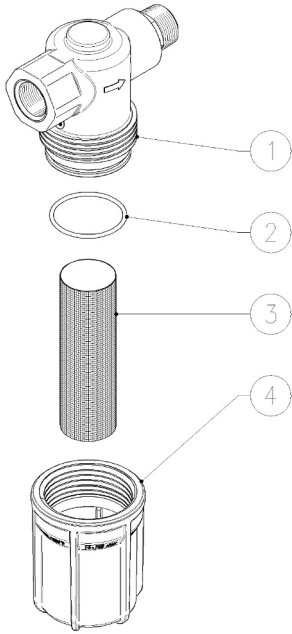
Pos.	P/N	Description	Q.ty	K1	K2	K3	K4	Pos.	P/N	Description	Q.ty	K1	K2	K3	K4
1	10.3060.00	O-ring, 1,78x12,42 mm	3				10	16	10.4008.00	Back-up ring, opn. 8x11x1,2 mm	1				10
2	60.2506.31	Spacer ring	1				3	17	60.2505.35	Housing"VB20-160 Zero" 3/8Bsp	1				3
3	10.3052.00	O-ring, 1,78x6,75 mm	2				25	18	60.2508.51	Sst shutter	1				5
4	10.4062.00	Back-up ring, 5x7x2 mm	1				10	19	21.0158.51	Spring, 0,8x7x15 mm Sst.	1				10
5	60.2509.31	5 mm brass piston ring	1				3	20	60.2512.31	Shutter coupl., 3/8F Bsp brass	1				3
6	60.2507.51	Sst pin	1				5	21	30.1708.20	Seat, 6mm Sst.+O-ring 1,78mm NBR85	1				10
7	10.3070.02	O-ring, 1,78x18,77 mm Ni 85	1				10	22	60.2518.21	Shutter pin, brass+ball, Sst.	1				5
8	10.4063.00	Back-up ring, 18x20x2 mm	1				10	23	16.2105.08	Set screw, DIN915 M5x8 mm Sst.	1				10
9	60.2510.31	6,8 mm brass piston ring	1				3	24	11.4541.00	Hex. nut, M6	3				10
10	10.3056.00	O-ring, 1,78x8,74 mm	1				10	25	60.2514.31	Spring holder ring, brass	1				3
11	10.2037.00	Back-up ring, 6,8 mm	1				4	26	60.2501.61	Spring, 4x19x35 mm white	1				5
12	10.3072.00	O-ring, 1,78x20,35 mm	1				10	27	15.1021.00	Roll pin, 3x14 mm Sst.	1				10
13	60.2504.31	Piston plug, brass	1				3	28	60.2503.31	Piston holder, brass	1				5
14	60.2502.51	Sst. valve piston	1				5	29	10.4007.00	Back-up ring, opn. 7x10x1,2 mm	1				10
15	10.3055.00	O-ring, 1,78x7,66 mm	1				10	30	60.2515.31	Brass piston ring	1				3

60.2550.00 VB20-160 Zero valv.byp.3/8 F Bsp + PR5



Pos.	P/N	Description	Q.ty	K1	K2	K3	K4	Pos.	P/N	Description	Q.ty	K1	K2	K3	K4
1	10.3072.00	O-ring, 1,78x20,35 mm	1				10	23	60.2508.51	Sst shutter	1				5
2	60.2551.31	Lower plug, x PR5 brass	1				3	24	21.0158.51	Spring, 0,8x7x15 mm Sst.	1				10
3	60.2452.31	Brass pin	1				3	25	60.2512.31	Shutter coupl., 3/8F Bsp brass	1				3
4	29.0086.31	Washer, 4x16x2,5 mm brass	1				10	26	30.1708.20	Seat, 6mm Sst.+O-ring 1,78mm NBR85	1				10
5	60.0867.51	Spring, 0,5x6,5x22 mm Sst.	1				25	27	60.2518.21	Shutter pin, brass+ball, Sst.	1				5
6	14.3519.00	Washer, 4x8x0,5 mm brass	1				10	28	16.2105.08	Set screw, DIN915 M5x8 mm Sst.	1				10
7	10.3038.00	O-ring, 1,78x3,68 mm	1				10	29	11.4541.00	Hex. nut, M6	3				10
8	10.3060.00	O-ring, 1,78x12,42 mm	3				10	30	60.2514.31	Spring holder ring, brass	1				3
9	60.2506.31	Spacer ring	1				3	31	60.2501.61	Spring, 4x19x35 mm white	1				5
10	10.3052.00	O-ring, 1,78x6,75 mm	2				25	32	15.1021.00	Roll pin, 3x14 mm Sst.	1				10
11	10.4062.00	Back-up ring, 5x7x2 mm	1				10	33	60.2503.31	Piston holder, brass	1				5
12	60.2509.31	5 mm brass piston ring	1				3	34	10.4007.00	Back-up ring, opn. 7x10x1,2 mm	1				10
13	60.2507.51	Sst pin	1				5	35	60.2515.31	Brass piston ring	1				3
14	10.3070.02	O-ring, 1,78x18,77 mm Ni 85	1				10	36	16.3020.00	S/tapp. screw, 2,5x12mm chrom	2				10
15	10.4063.00	Back-up ring, 18x20x2 mm	1				10	37	29.0088.84	Lid, PR5 PA black	1				10
16	60.2510.31	6,8 mm brass piston ring	1				3	38	10.3206.01	O-ring, 2,62x28,25 mm	1				10
17	10.3056.00	O-ring, 1,78x8,74 mm	1				10	40	29.0089.84	Housing, PR5 PA black	1				10
18	10.2037.00	Back-up ring, 6,8 mm	1				4	41	12.5006.00	Cable, 3x0,75 L.1000 mm+ Microswitch	1				5
19	60.2502.51	Sst. valve piston	1				5	42	29.0109.84	Locknut for cable gland, PA red	1				10
20	10.3055.00	O-ring, 1,78x7,66 mm	1				10	43	10.3169.00	O-ring, 2,62x6,02 mm	1				10
21	10.4008.00	Back-up ring, opn. 8x11x1,2 mm	1				10	44	29.0087.51	U-bolt, Sst.	1				10
22	60.2505.35	Housing"VB20-160 Zero" 3/8Bsp	1				3								

28.0320.00 F5 L-Suct.strainer, 1/2F Bsp/Bst
28.0320.15 F5 L-Suct.strainer, 1/2FM

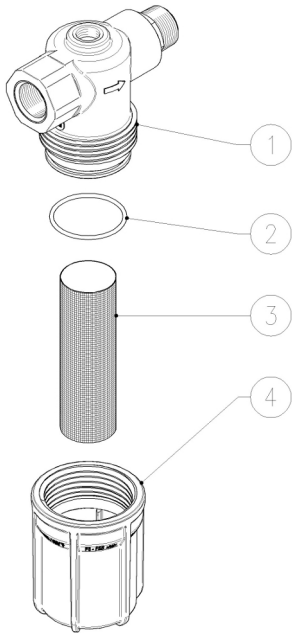


28.0320.20 F5 L -Suct.strainer, 1/2FF
28.0320.65 F5 L-Suct.strainer, 1/2FF

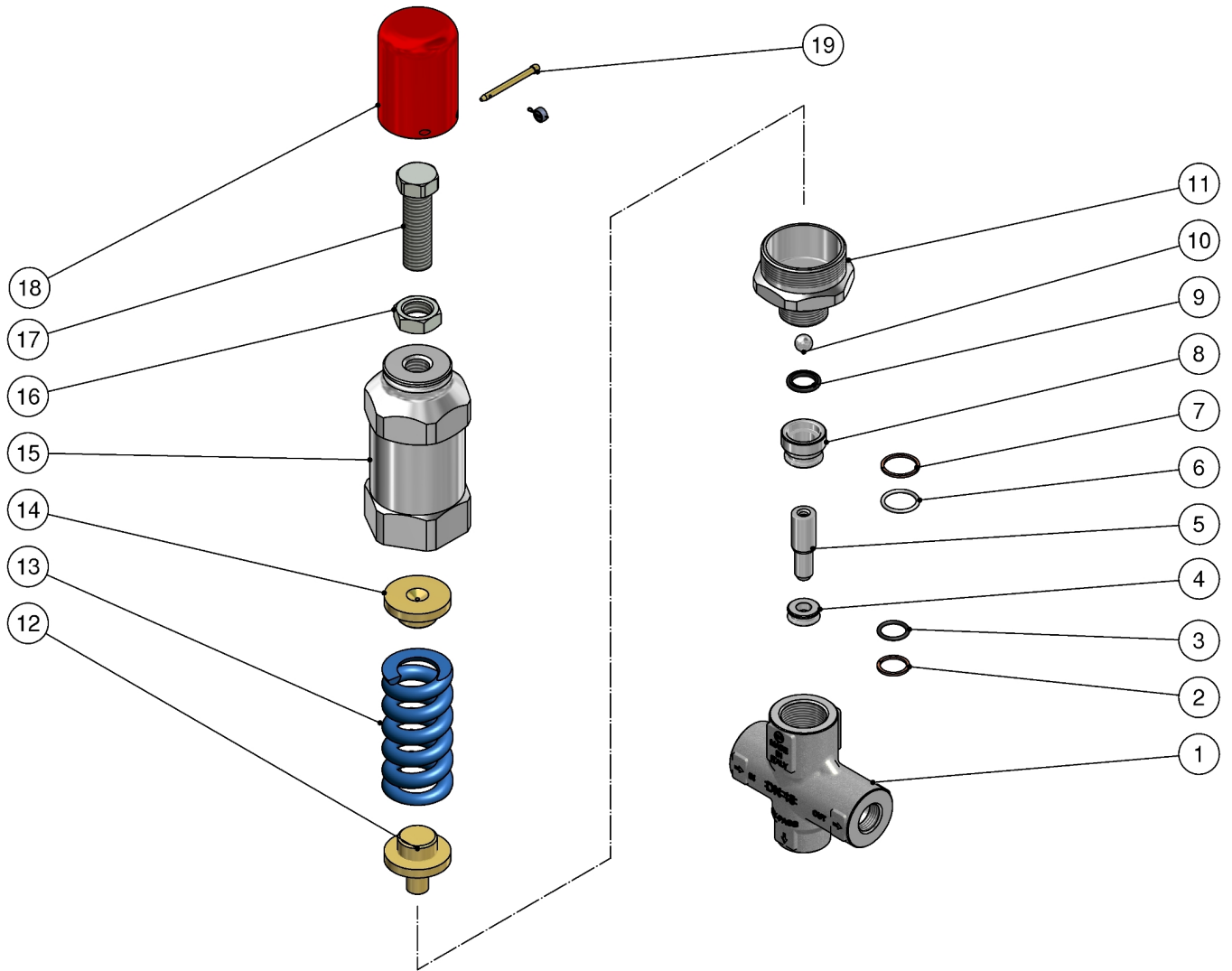
Pos.	P/N	Description	Q.ty	K1	K2	K3	K4	
1	28.0301.22	Strainer housing, 1/2Bsp/t FM PP	1					3
1	28.0302.22	Strainer housing, 1/2Bsp FF PP (1,2)	1					3
2	10.3105.00	O-ring, 2x38 mm	1					10
3	28.0323.53	Net, 27x90mm 46mesh-300µm Sst.	1					3
3	28.0326.53	Net, 27x90-100me-150µm Sst. (3,2)	1					3
4	28.0321.84	Strainer plug, Pa	1					3

(1) 28.0320.20 (2) 28.0320.65 (3) 28.0320.15

28.0370.00 F5L B-Suct.strain.1/2Bsp/t FM+1/4F



Pos.	P/N	Description	Q.ty	K1	K2	K3	K4	
1	28.0351.22	Strain.housing, 1/2 Bsp/tFM-1/4F	1					5
2	10.3105.00	O-ring, 2x38 mm	1					10
3	28.0323.53	Net, 27x90mm 46mesh-300µm Sst.	1					3
4	28.0321.84	Strainer plug, Pa	1					3



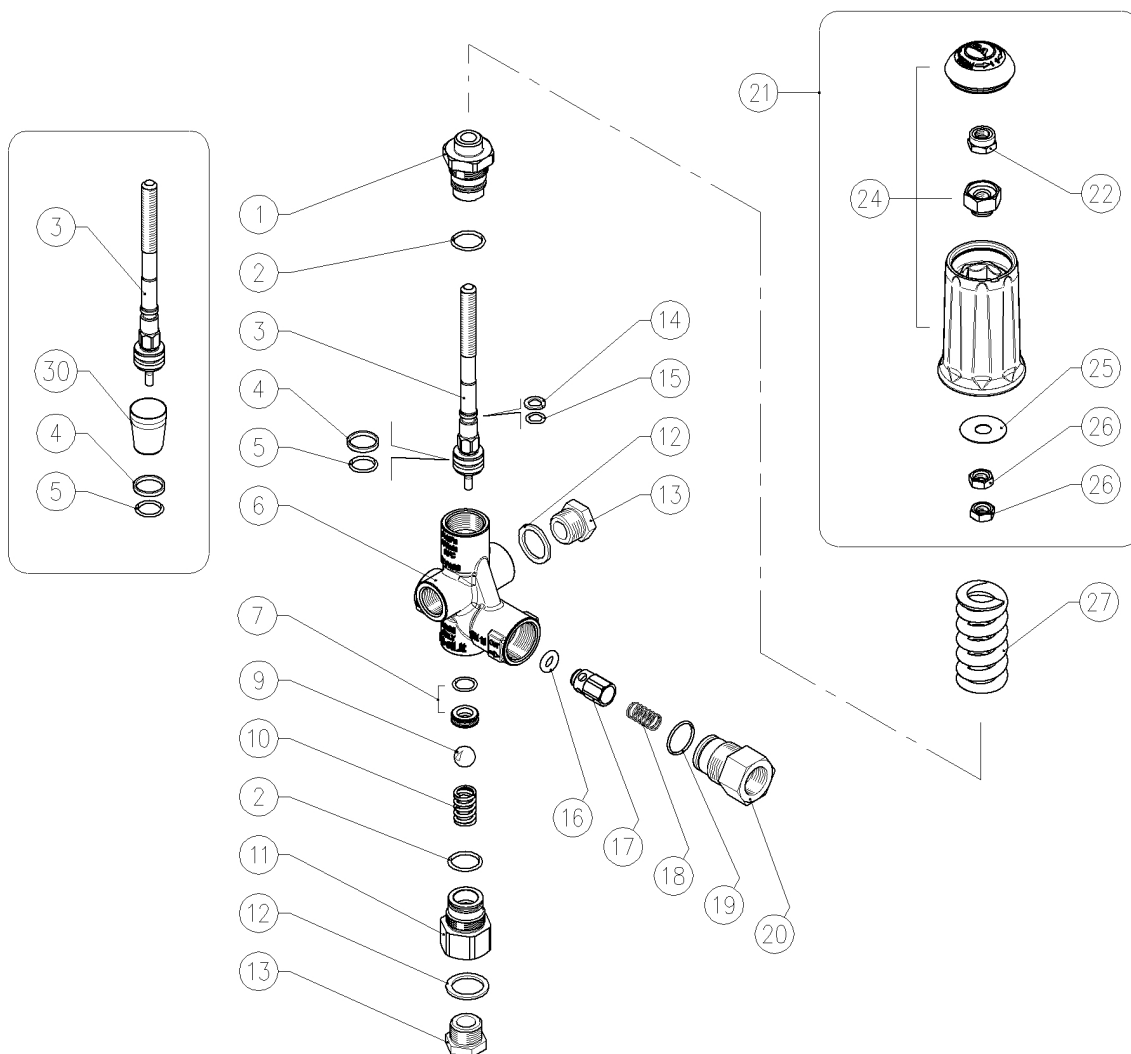
Pos.	P/N	Description	Q.ty	K1	K2	K3	K4	
1	60.0651.55	Housing -VS660 3/8 Bspt FF aisi303	1					2
2	10.4013.00	Back-up ring, 16x13,2x1,2 mm	1					10
3	10.3060.01	O-ring, 1,78x12,42 mm Ni 85	1					10
4	60.0656.51	Seat, 7,6x16x6,2 mm Sst.	1					2
5	60.0657.51	Piston, 12 mm Sst.	1					1
6	10.3066.01	O-ring, 1,78x15,6 mm Ni 85	1					10
7	10.4042.00	Back-up ring, 16,3x19x1,2 mm	1					10
8	60.0658.51	Sst spacer ring	1					2
9	10.2013.00	Stem seal, 12x17x2,2 mm +O-ring	1					5
10	14.7443.10	Ball, 11/32" Sst.	1					10

Pos.	P/N	Description	Q.ty	K1	K2	K3	K4	
11	60.0659.51	Piston holder, Sst.	1					2
12	60.0654.31	Spring rest pin, brass	1					2
13	60.0412.61	Spring, 7,5x35x70 mm blue	1					10
14	60.0652.31	Spring guide spacer, brass	1					2
15	60.0655.31	Spring holder, brass	1					1
16	11.4760.00	Hex. nut, M14	1					10
17	60.4307.51	Valve regulating screw, M14 sst.	1					2
18	60.0598.41	Knob x block. press al-red (1)	1					3
19	60.0599.31	4 mm pierced pin (1)	1					5

(1) 60.0645.00

60.0140.00 Pulsar 4 unload. 3/8F Bsp-18MPa+knob
 60.0140.05 Pulsar 4 unload. 3/8F Npt-18MPa+knob

60.0140.60 Pulsar 4 unload. 3/8F Bsp-31MPa+knob
 60.0140.65 Pulsar 4 unload. 3/8F Npt-31MPa+knob



Pos.	P/N	Description	Q.ty	K1	K2	K3	K4	Pos.	P/N	Description	Q.ty	K1	K2	K3	K4
1	60.0146.31	Piston holder, brass	1				5	15	10.3051.01	O-ring, 1,78x6,07 mm	1	.			10
2	10.3064.01	O-ring, 1,78x14 mm Ni 85	2	.			10	16	10.3213.00	O-ring, 3x6 mm	1	.			10
3	60.0145.51	Puls.4 piston, Sst.	1				5	17	60.0052.99	Shutter pin, brass+o-ring 3x6 mm	1				10
4	10.4058.00	Back-up ring, opn. 14x16x2 mm	1	.			10	18	60.0053.51	Spring, 0,7x9x20 mm Sst.	1				10
5	10.3058.01	O-ring, 1,78x10,82 mm	1	.			10	19	10.3066.01	O-ring, 1,78x15,6 mm Ni 85	1	.			10
6	60.0141.35	Housing -Pulsar 4- 3/8 Bsp F brass (1,2)	1				1	20	60.1811.31	Shutter coupl., 3/8F Bsp brass (1,2)	1				3
6	60.0136.35	Housing -Pulsar 4- 3/8 Npt F brass (3,4)	1				1	20	60.1817.31	3/8Npt F nipple (3,4)	1				3
7	60.0259.20	Seat, 8mm + O-ring, 1,78mm	1	.			10	21	60.0149.24	Knob Kit -Pulsar4, 6x1pcs.	1				1
9	14.7461.00	Ball, 13/32" Sst.	1	.			10	22	11.4589.10	Hex. locknut, M8	1				10
10	60.0410.51	Spring, 1,6x11,5x20 mm Sst.	1				5	24	60.0148.24	Knob + Plug -Pulsar4	1				5
11	60.0142.31	Suction coupl., 3/8F Bsp brass (1,2)	1				10	25	14.3720.40	Washer, 9,2x24x0,5 mm	1				10
11	60.0137.31	Suction coupl., 3/8F Npt brass (3,4)	1				10	26	11.4573.31	Hex. nut, M8, brass	2				10
12	14.4042.00	Washer, 16,7x22x1,5 mm alu. (1,2)	2				25	27	60.0012.61	Spring, 5x25x50 mm white (1,3)	1				5
13	60.0028.31	Plug,brass 3/8 Bsp,hex.19 (1,2)	2				25	27	60.0033.61	Spring, 5,7x26x53 mm blue (2,4)	1				5
13	60.0025.31	Grub screw, brass 3/8M Npt (3,4)	2				10	30	10.4409.00	Seal frame >Pulsar/zero (2,4) **	1				1
14	10.4006.01	Back-up ring, opn. 6,2x9x1,2 mm	1	.			10								

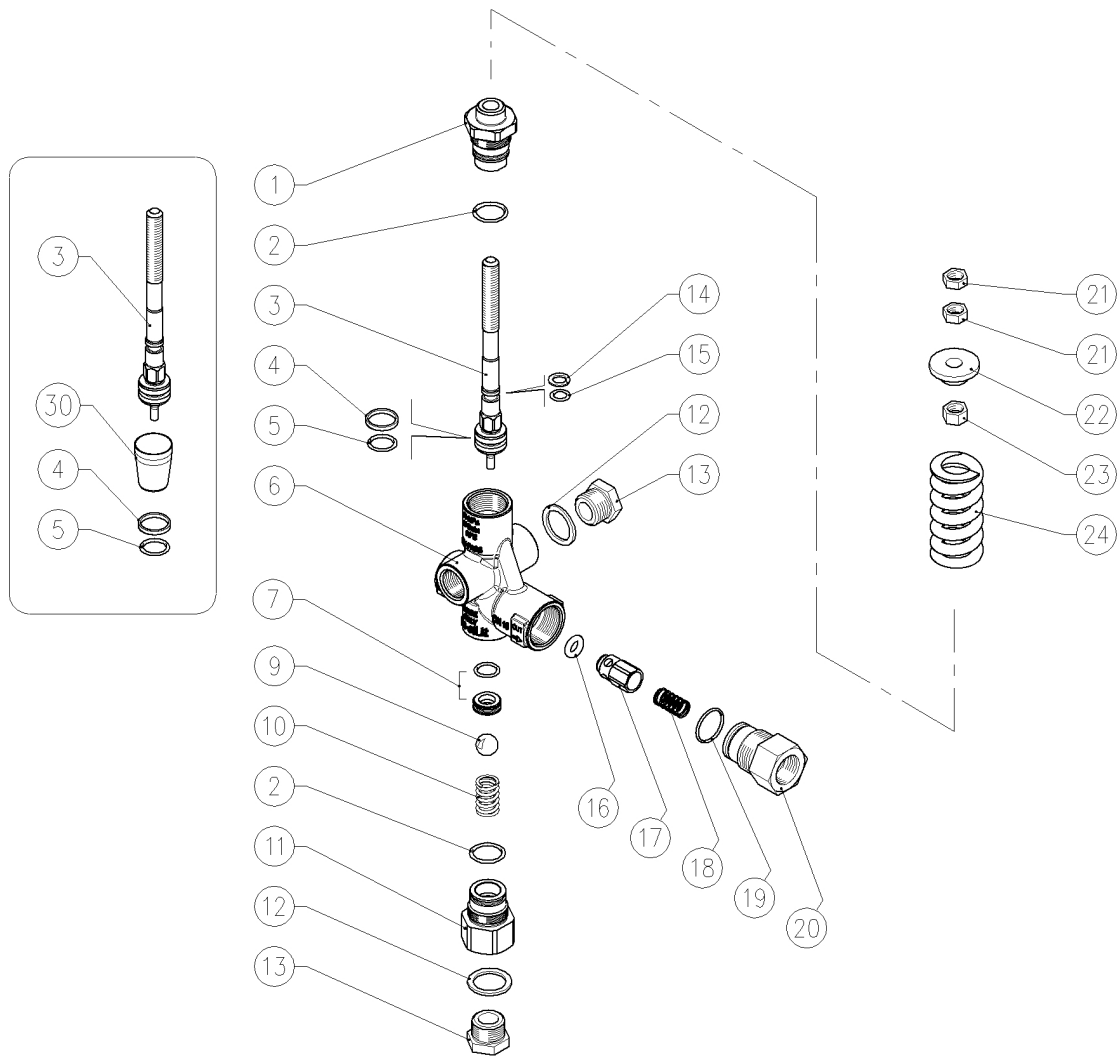
** On request

Kit	P/N	Description	Q.ty
K1	60.0131.24	Spares kit -Pulsar 4, 9(10)x1pcs.	1

(1) 60.0140.00 (2) 60.0140.60 (3) 60.0140.05 (4) 60.0140.65

60.0130.00 Pulsar 4 unload. 3/8F Bsp-18MPa
 60.0130.05 Pulsar 4 unload. 3/8F Npt-15MPa

60.0130.60 Pulsar 4 unload. 3/8F Bsp-31MPa
 60.0130.65 Pulsar 4 unload. 3/8F Npt -31MPa



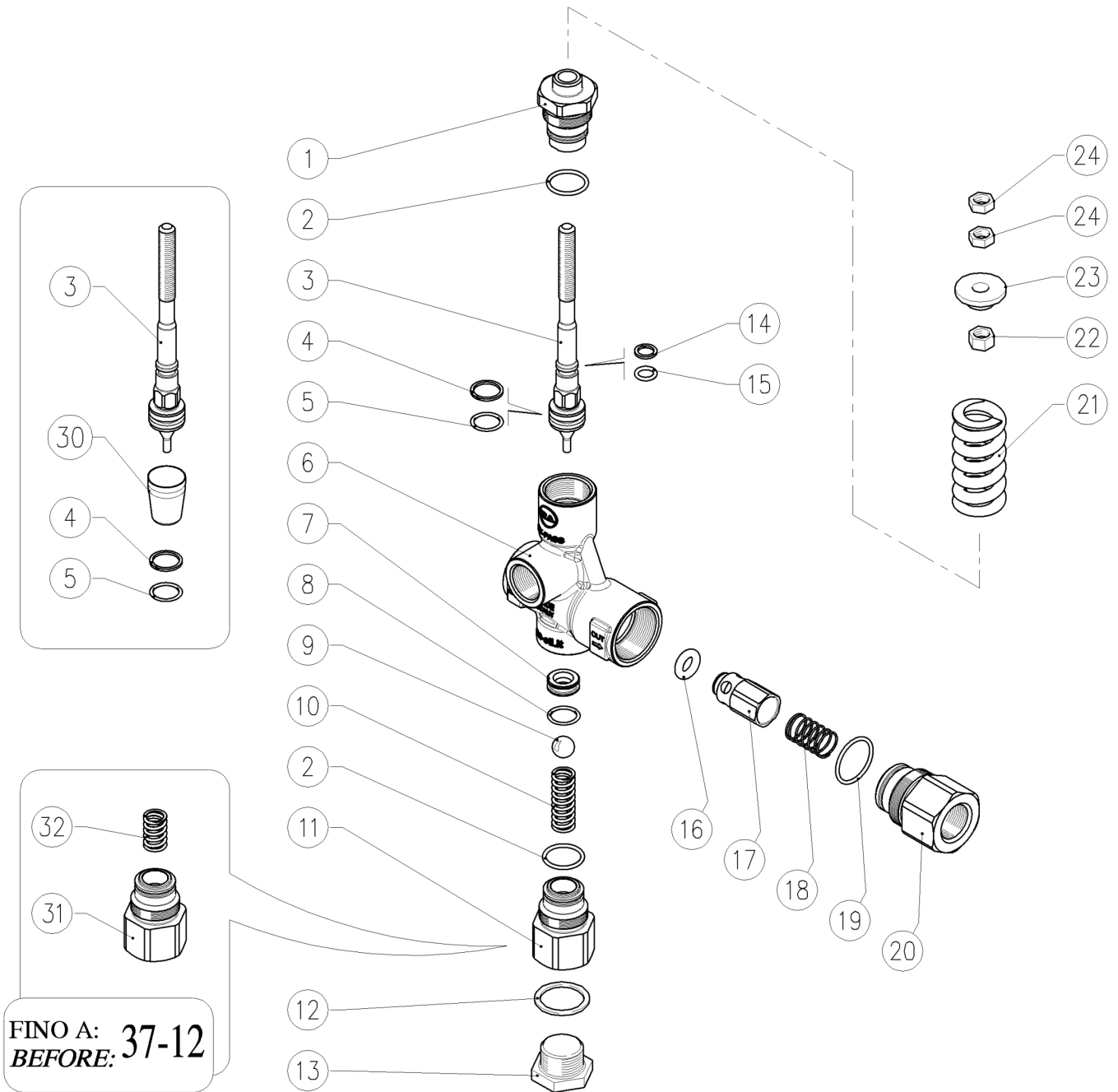
Pos.	P/N	Description	Q.ty	K1	K2	K3	K4	Pos.	P/N	Description	Q.ty	K1	K2	K3	K4
1	60.0146.31	Piston holder, brass	1					5	14	10.4006.01 Back-up ring, opn. 6,2x9x1,2 mm	1				10
2	10.3064.01	O-ring, 1,78x14 mm Ni 85	2					10	15	10.3051.01 O-ring, 1,78x6,07 mm	1				10
3	60.0145.51	Puls.4 piston, Sst.	1					5	16	10.3213.00 O-ring, 3x6 mm	1				10
4	10.4058.00	Back-up ring, opn. 14x16x2 mm	1					10	17	60.0052.99 Shutter pin, brass+o-ring 3x6 mm	1				10
5	10.3058.01	O-ring, 1,78x10,82 mm	1					10	18	60.0053.51 Spring, 0,7x9x20 mm Sst.	1				10
6	60.0141.35	Housing -Pulsar 4- 3/8 Bsp F brass (1,2)	1				1	1	19	10.3066.01 O-ring, 1,78x15,6 mm Ni 85	1				10
6	60.0136.35	Housing -Pulsar 4- 3/8 Npt F brass (3,4)	1				1	1	20	60.1811.31 Shutter coupl., 3/8F Bsp brass (1,2)	1				3
7	60.0259.20	Seat, 8mm + O-ring, 1,78mm	1					10	20	60.1817.31 3/8Npt F nipple (3,4)	1				3
9	14.7461.00	Ball, 13/32" Sst.	1					10	21	11.4574.00 Hex. nut, M8	2				10
10	60.0410.51	Spring, 1,6x11,5x20 mm Sst.	1					5	22	60.0011.31 Spring holder ring, brass	1				5
11	60.0142.31	Suction coupl., 3/8F Bsp brass (1,2)	1					10	23	11.4576.31 Hex. nut, M8, brass	1				10
11	60.0137.31	Suction coupl., 3/8F Npt brass (3,4)	1					10	24	60.0012.61 Spring, 5x25x50 mm white (1,3)	1				5
12	14.4042.00	Washer, 16,7x22x1,5 mm alu. (1,2)	2					2	24	60.0033.61 Spring, 5,7x26x53 mm blue (2,4)	1				5
13	60.0028.31	Plug,brass 3/8 Bsp,hex.19 (1,2)	2					25	30	10.4409.00 Seal frame >Pulsar/zero **	1				1
13	60.0025.31	Grub screw, brass 3/8M Npt (3,4)	2					10							

** On request


Kit	P/N	Description	Q.ty
K1	60.0131.24	Spares kit -Pulsar 4, 9(10)x1pcs.	1
(1) 60.0130.00 (2) 60.0130.60 (3) 60.0130.05 (4) 60.0130.65			

60.0485.00 VB85/160 unload. 1/2F Bsp
 60.0485.05 VB85/180 unload. 1/2F Npt F


60.0485.60 VB85/310 unload. 1/2F Bsp
 60.0485.65 VB85/310 unload. 1/2F Npt



Pos.	P/N	Description	Q.ty	K1	K2	K3	K4	
1	60.0491.31	Piston holder, brass	1					3
2	10.3068.00	O-ring, 1,78x17,17 mm	2	•				10
3	60.0492.21	Valve piston, Sst.	1					5
4	10.4161.00	Back-up ring, 18 mm	1	•				3
5	10.3060.00	O-ring, 1,78x12,42 mm	1	•				10
6	60.0486.35	Housing -VB85, 1/2F Bsp brass (1,2)	1					3
6	60.0497.35	Housing -VB85, 1/2F Npt brass (3,4)	1					3
7	60.2803.51	Sst seat, 10 mm	1	•				5
8	10.3064.01	O-ring, 1,78x14 mm Ni 85	1	•				10
9	14.7465.00	Ball, 1/2" Sst.	1	•				5
10	30.5304.51	Spring, 2x29x9,9 mm Sst.	1					5
11	60.0441.31	Suction coupl., 1/2F Bsp brass (1,2)	1					3
11	60.0496.31	Suction coupl., 1/2F Npt brass (3,4)	1					3
12	14.4290.00	Washer, 22x27x1,5 mm alu. (1,2)	1					10
13	60.0413.31	Plug,brass 1/2 Bsp, hex.27 (1,2)	1					10
13	60.0444.31	Grub screw, brass 1/2 Npt (3,4)	1					10

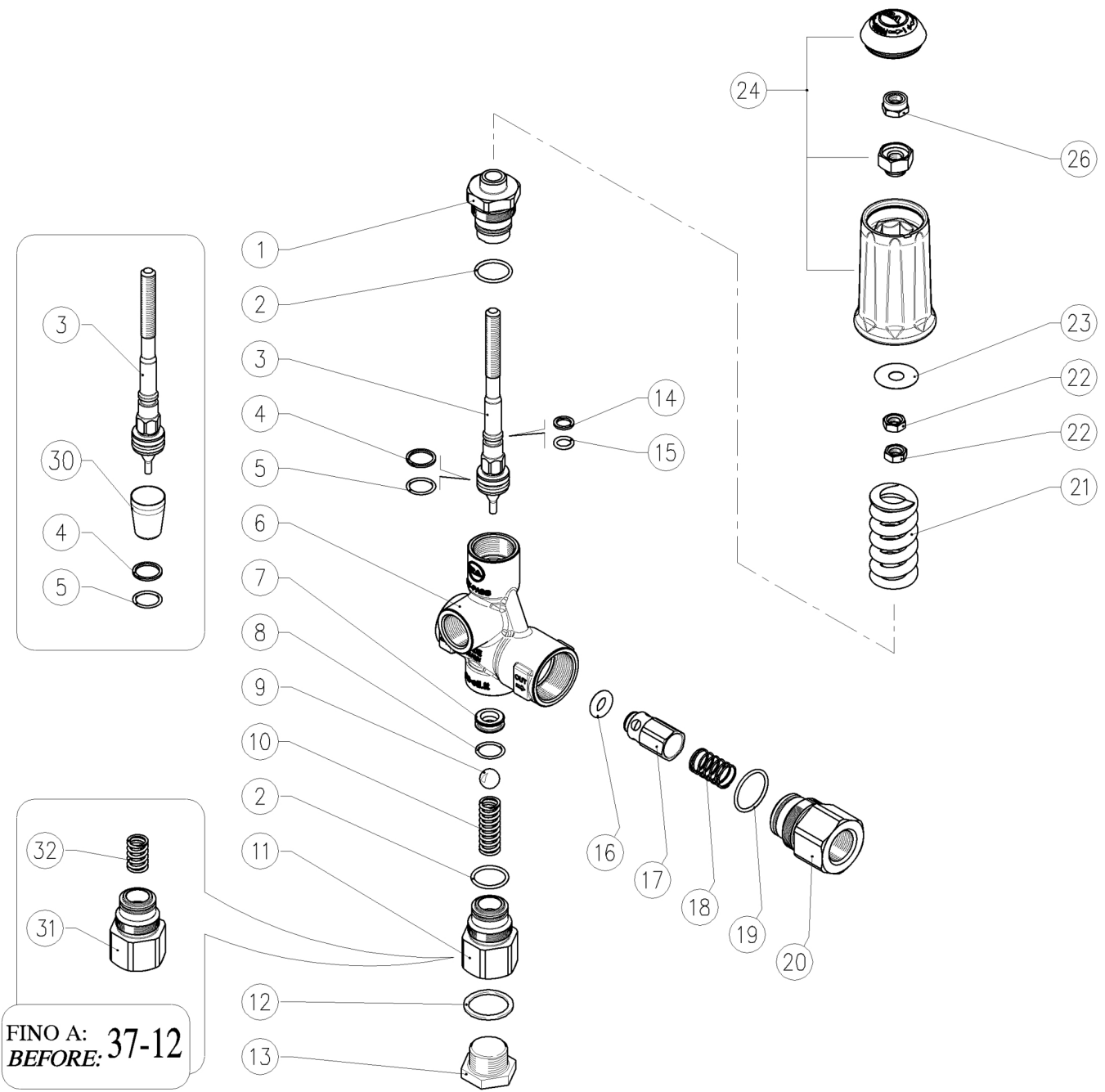
Pos.	P/N	Description	Q.ty	K1	K2	K3	K4	
14	10.4008.00	Back-up ring, opn. 8x11x1,2 mm	1	•				10
15	10.3055.00	O-ring, 1,78x7,66 mm	1	•				10
16	10.3292.00	O-ring, 4x8 mm	1	•				10
17	60.0488.99	Shutter pin, brass+or 4x8 mm	1					5
18	60.0489.51	Spring, 0,8x13,3x27 mm Sst.	1					5
19	10.3072.60	O-ring, 1,78x21,95 mm Ni 85	1	•				10
20	60.2809.31	Shutter coupl., 1/2F Bsp brass (1,2)	1					3
20	60.1852.31	Shutter coupl., 1/2F Npt brass (3,4)	1					3
21	60.0033.61	Spring, 5,7x26x53 mm blue (2,4)	1					5
21	60.0012.61	Spring, 5x25x50 mm white (1,3)	1					5
22	11.4576.31	Hex. nut, M8, brass	1					10
23	60.0011.31	Spring holder ring, brass	1					5
24	11.4574.00	Hex. nut, M8	2					10
30	10.4407.00	Seal frame >VB60-80 zero **	1					1
32	60.0410.51	Spring, 1,6x11,5x20 mm Sst.	1					5



** On request

Kit	P/N	Description	
K1	60.0498.24	Spares kit -VB85, 10x1pcs.	1
(1) 60.0485.00 (2) 60.0485.60 (3) 60.0485.05 (4) 60.0485.65			


60.0490.00 VB85/150 unload. 1/2F Bsp with knob
 60.0490.05 VB85/150 unload. 1/2F Npt with knob

60.0490.60 VB85/280 unload. 1/2F Bsp with knob
 60.0490.65 VB85/280 unload. 1/2F Npt with knob



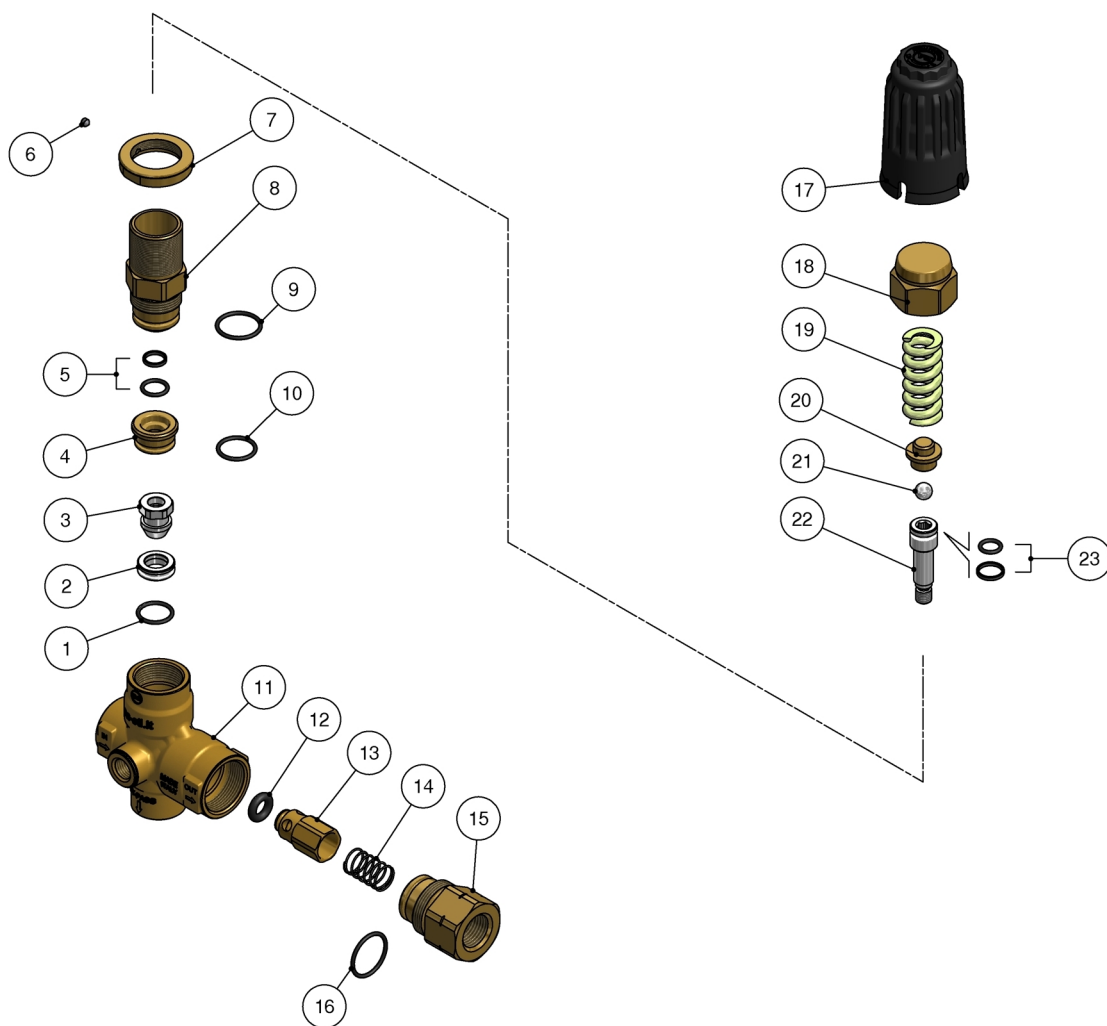
Pos.	P/N	Description	Q.ty	K1	K2	K3	K4		Pos.	P/N	Description	Q.ty	K1	K2	K3	K4	
1	60.0491.31	Piston holder, brass	1					3	14	10.4008.00	Back-up ring, opn. 8x11x1,2 mm (3,4)	1	•				10
2	10.3068.00	O-ring, 1,78x17,17 mm	2	•				10	15	10.3055.00	O-ring, 1,78x7,66 mm	1	•				10
3	60.0492.21	Valve piston, Sst.	1					5	16	10.3292.00	O-ring, 4x8 mm	1	•				10
4	10.4161.00	Back-up ring, 18 mm	1	•				3	17	60.0488.99	Shutter pin, brass+or 4x8 mm	1					5
5	10.3060.00	O-ring, 1,78x12,42 mm	1	•				10	18	60.0489.51	Spring, 0,8x13,3x27 mm Sst.	1					5
6	60.0486.35	Housing -VB85, 1/2F Bsp brass (1,2)	1					3	19	10.3072.60	O-ring, 1,78x21,95 mm Ni 85	1	•				10
6	60.0497.35	Housing -VB85, 1/2F Npt brass (3,4)	1					3	20	60.2809.31	Shutter coupl., 1/2F Bsp brass (1,2)	1					3
7	60.2803.51	Sst seat, 10 mm	1	•				5	20	60.1852.31	Shutter coupl., 1/2F Npt brass (3,4)	1					3
8	10.3064.01	O-ring, 1,78x14 mm Ni 85	1	•				10	21	60.0033.61	Spring, 5,7x26x53 mm blue (2,4)	1					5
9	14.7465.00	Ball, 1/2" Sst.	1	•				5	21	60.0012.61	Spring, 5x25x50 mm white (1,3)	1					5
10	30.5304.51	Spring, 2x29x9,9 mm Sst.	1					5	22	11.4573.31	Hex. nut, M8, brass	2					10
11	60.0441.31	Suction coupl., 1/2F Bsp brass (1,2)	1					3	23	14.3720.40	Washer, 9,2x24x0,5 mm	1					10
11	60.0496.31	Suction coupl., 1/2F Npt brass (3,4)	1					3	24	60.0148.24	Knob + Plug -Pulsar4	1					5
12	14.4290.00	Washer, 22x27x1,5 mm alu. (1,2)	1					10	26	11.4589.10	Hex. locknut, M8	1					10
13	60.0413.31	Plug,brass 1/2 Bsp, hex.27 (1,2)	1					10	30	10.4407.00	Seal frame >VB60-80 zero **	1					1
13	60.0444.31	Grub screw, brass 1/2 Npt (3,4)	1					10	32	60.0410.51	Spring, 1,6x11,5x20 mm Sst.	1					5

** On request

Kit	P/N	Description	
K1	60.0498.24	Spares kit -VB85, 10x1pcs.	1
(1) 60.0490.00 (2) 60.0490.60 (3) 60.0490.05 (4) 60.0490.65			

60.1850.00 VB33 unload. 1/2F Bsp brass
60.1850.50 VB33 unload. 1/2F Npt brass

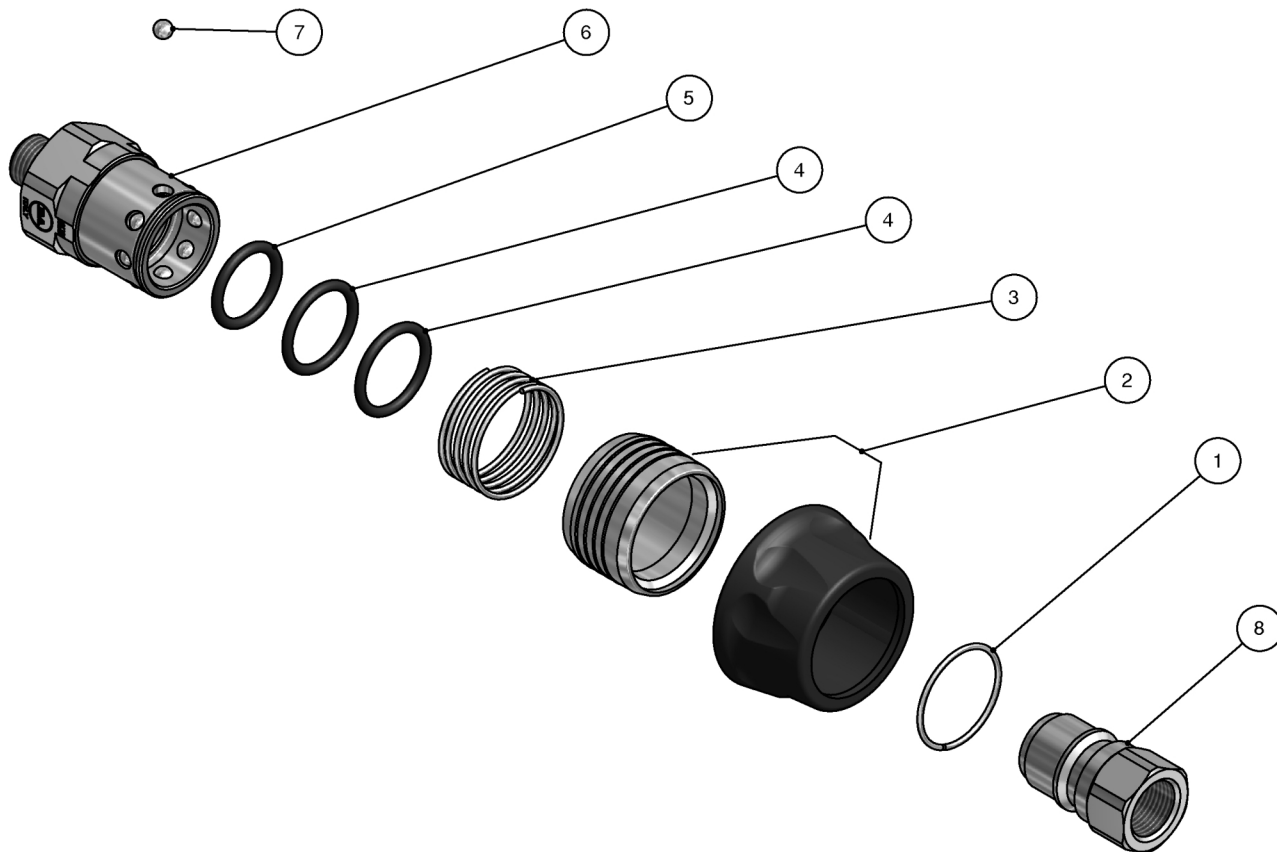
60.1860.00 VB36-350 unload. 1/2F Bsp brass
60.1860.50 VB36-350 unload. 1/2F Npt brass



Pos.	P/N	Description	Q.ty	K1	K2	K3	K4	
1	10.3066.01	O-ring, 1,78x15,6 mm Ni 85	1					10
2	60.1809.51	Seat, 11,6x19x6 mm Sst.	1					5
3	60.1808.51	Shutter pin, M8 Sst.	1					3
4	60.1810.31	Spacer ring, 10,3x23,4x12,5 mm brass	1					5
5	60.0979.24	Stem seal, 10x14,9x2,2 mm+O-ring	1					5
6	16.2100.00	Set screw, DIN914 M4x4 mm	1					10
7	60.1728.31	Ring nut, M27x1 brass	1					3
8	60.0973.31	Piston holder, brass (1,2)	1					3
8	60.1805.31	Piston holder, brass (3,4)	1					3
9	10.3072.01	O-ring, 1,78x20,35 mm Ni 85	1					10
10	10.3068.01	O-ring, 1,78x17,17 mm Ni 85	1					10
11	60.1855.35	Brass VB33 body -1/2 Bsp F (1,3)	1					3
11	60.1851.35	Brass VB33 body (2,4)	1					3
12	10.3292.00	O-ring, 4x8 mm	1					10
13	60.0488.99	Shutter pin, brass+or 4x8 mm	1					5
14	60.0489.51	Spring, 0,8x13,3x27 mm Sst.	1					5
15	60.2809.31	Shutter coupl., 1/2F Bsp brass (1,3)	1					3
15	60.1852.31	Shutter coupl., 1/2F Npt brass (2,4)	1					3
16	10.3072.60	O-ring, 1,78x21,95 mm Ni 85	1					10
17	60.1726.84	Valve regulating knob, PA black (1,2)	1					10
17	60.1729.84	Valve regulating knob, PA red (3,4)	1					10
18	60.1727.31	Valve regulating insert, brass	1					5
19	60.0975.61	Spring, 4,2x19,7x42 mm z.pl. (1,2)	1					10
19	60.1812.61	Spring, 4,5x15,8x47mm (3,4)	1					3
20	60.1813.31	Spring rest pin, brass	1					5
21	14.7443.10	Ball, 11/32" Sst.	1					10
22	60.1806.51	Piston, M8 Sst.	1					3
23	60.0978.24	Piston seal, 9x14x2,2 mm+O-ring	1					5

(1) 60.1850.00 (2) 60.1850.50 (3) 60.1860.00 (4) 60.1860.50

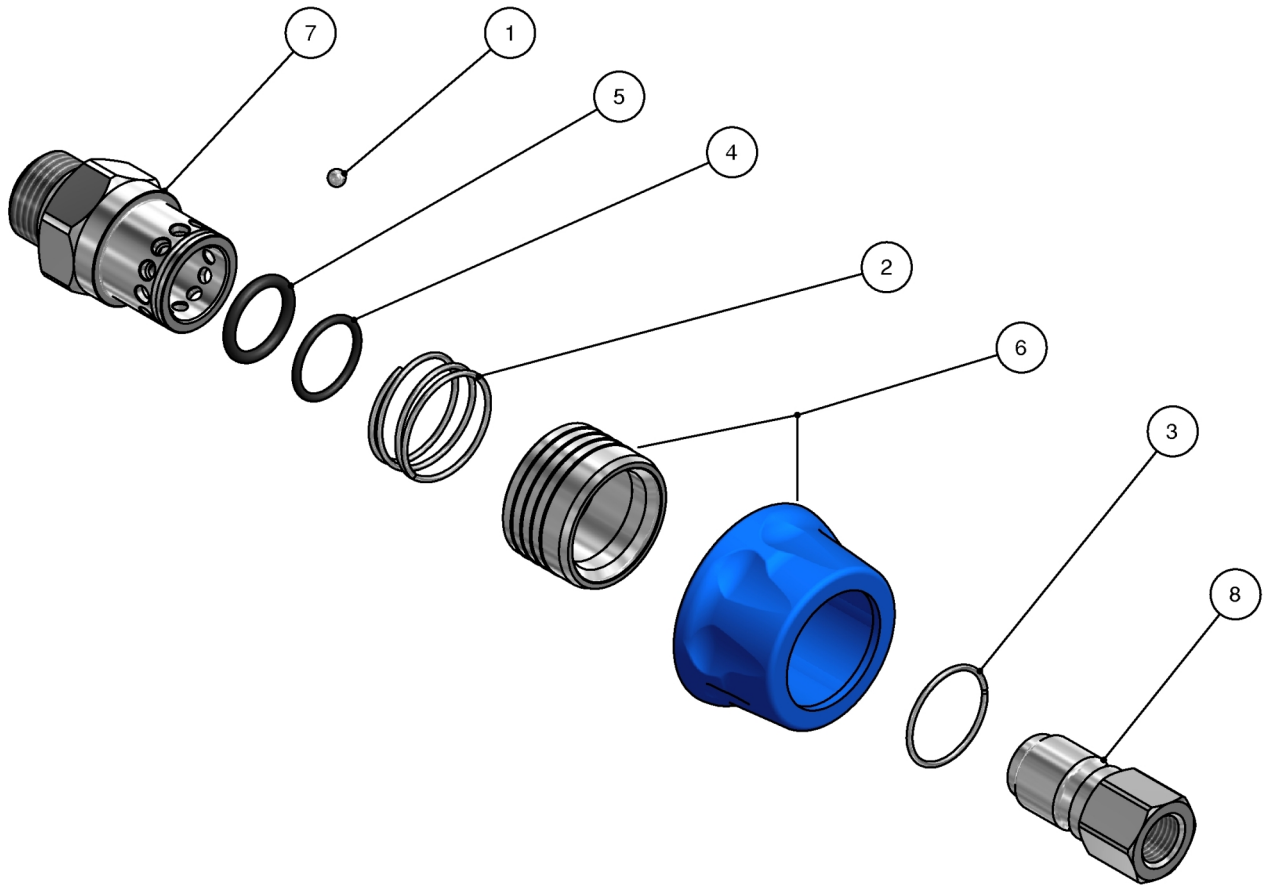
26.2055.25 ARS350P- B ba/typ. coupler,sst,1/4 M



Pos.	P/N	Description	Q.ty	K1	K2	K3	K4		Pos.	P/N	Description	Q.ty	K1	K2	K3	K4	
1	26.2034.51	Snap ring, 1,4x26 mm Sst.	1					3	6	26.2037.51	Housing -ARS350, 1/4M Bsp Sst.	1					5
2	26.2057.21	Hand nut, ARS 350 black	1					5	7	14.7410.10	Ball, 3/16" Sst.	8					10
3	26.2033.51	Spring, 1,4x29,1x25 mm Sst.	1					10	8	26.2035.51	ARS350 A ball-type nipple,sst,3/8F Bsp	1					25
4	10.3195.10	O-ring, 2,5x20 mm Vi 70	2					10	8	26.2040.51	ARS350 A ball-type nipple,sst,1/4F Bsp	1					25
5	10.3181.95	O-ring, 2,62x17,96 mm Vi 70	1					10	8	26.2045.51	ARS350 A ball-type nipple,sst,1/4M Bsp	1					25

26.2555.30 ARS178P- B sst ball-type coupl. 1/2 F

26.2555.40 ARS178P- B sst ball-type coupl. 1/2 M



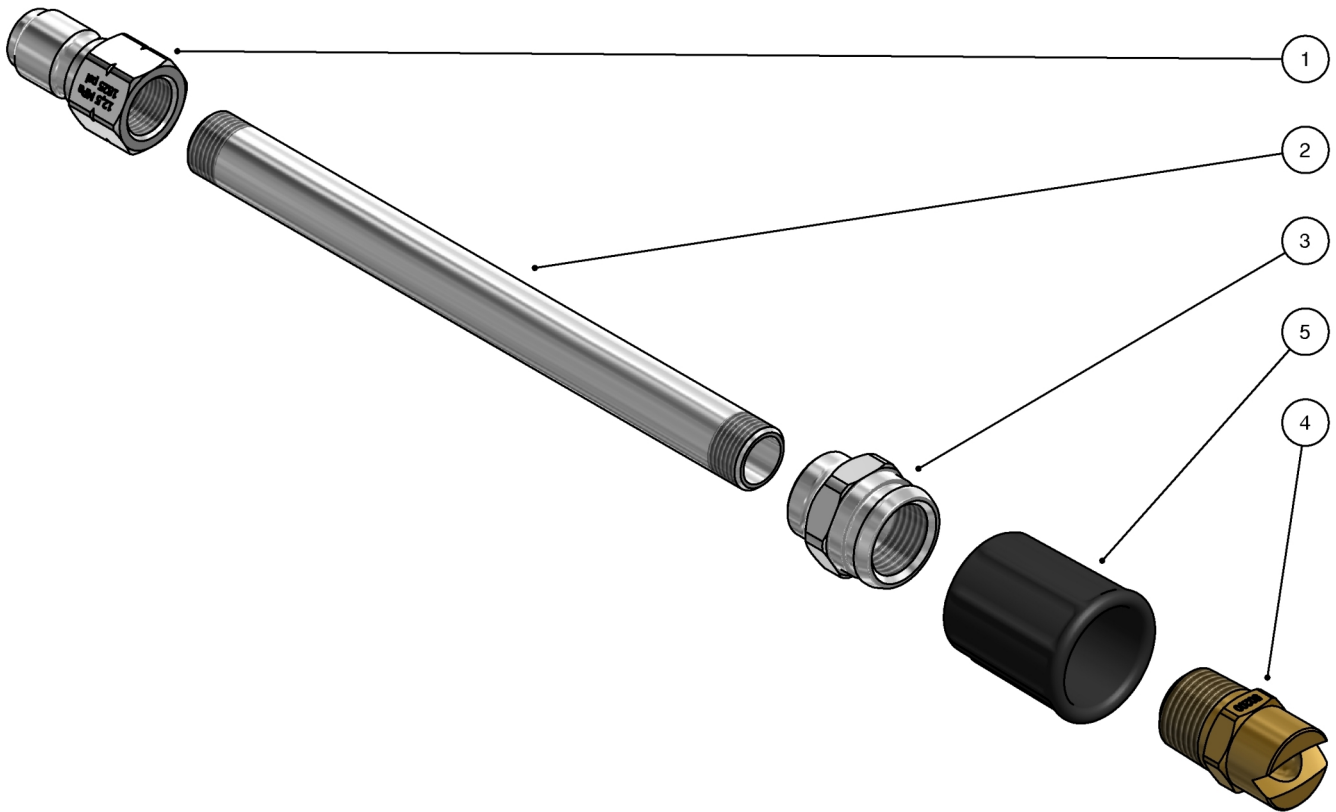
Pos.	P/N	Description	Q.ty	K1	K2	K3	K4	
1	14.7405.00	Ball, 5/32" Sst.	12					10
2	26.2502.51	Sst spring, 1,3x26x22mm	1					10
3	26.2504.51	Snap ring, 1,3 mm sst	1					10
4	10.3068.10	O-ring, 1,78x17,17 mm Vi 70	1					10
5	10.3181.25	O-Ring, 2,62x15,88 mm Vit.	1					10
6	26.2557.21	Hand nut, ARS 178 P blue	1					5
7	26.2508.51	Housing -ARS178, 1/2 M Bsp	1					5
7	26.2507.51	Housing -ARS178, 1/2 F Bsp (1)	1					5

Pos.	P/N	Description	Q.ty	K1	K2	K3	K4	
8	26.2520.00	ARS178H- A ball-type nipple 1/4F Bsp	1					5
8	26.2520.10	ARS178H- A ball-type nipple 3/8 F Bsp	1					5
8	26.2520.30	ARS178H- A ball-type nipple 1/2 F Bsp	1					5
8	26.2520.40	ARS178H- A ball-type nipple 1/2 M Bsp	1					5
8	26.2530.00	ARS178L- A-Sst ball-type nipple 1/4 F Bsp	1					5
8	26.2530.10	ARS178L-Sst ball-type nipple A-3/8 F Bsp	1					5
8	26.2530.30	ARS178L- A ball-type nipple 1/2 F Bsp	1					5
8	26.2530.40	ARS178L- A ball-type nipple 1/2 M Bsp	1					5

(1) 26.2555.30

40.0280.00 Ext.185mm+Ars178+br.nozzl. 50/200 +bl.tip
 40.0280.60 Ext.185mm+Ars178+br.nozzl. 50/200+blue tip

40.0280.80 Ext.185mm+Ars178+sst.nozzl. 50/200+blue



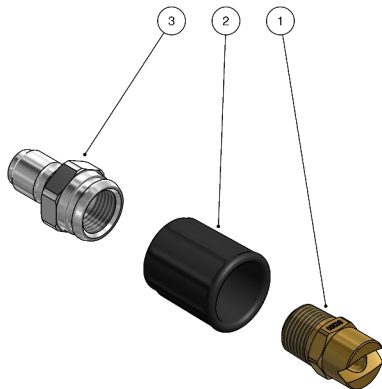
Pos.	P/N	Description	Q.ty	K1	K2	K3	K4	
1	26.2530.10	ARS178L-Sst ball-type nipple A-3/8 F Bsp	1					5
2	40.0282.56	Tube, 3/8Bsp MM 185 mm Sst.	1					1
3	40.0281.51	Nozzle Holder, 1/2F Bsp- Sst.	1					1
4	16.1361.20	Sst nozzle 50°.200 1/2 Bst (1)	1					2

Pos.	P/N	Description	Q.ty	K1	K2	K3	K4	
4	16.1360.20	Brass nozzle 50°.200 1/2 Bst (2,3)	1					3
5	40.0283.84	Nozzle protection, black (2)	1					1
5	40.0285.84	Nozzle protection, blue (3,1)	1					1

(1) 40.0280.80 (2) 40.0280.00 (3) 40.0280.60

40.0290.00 Ext. Ars178+br.nozzl. 50/200+bl.tip.pr
 40.0290.60 Ext. Ars178+br.nozzl. 50/200+blue tip.pr

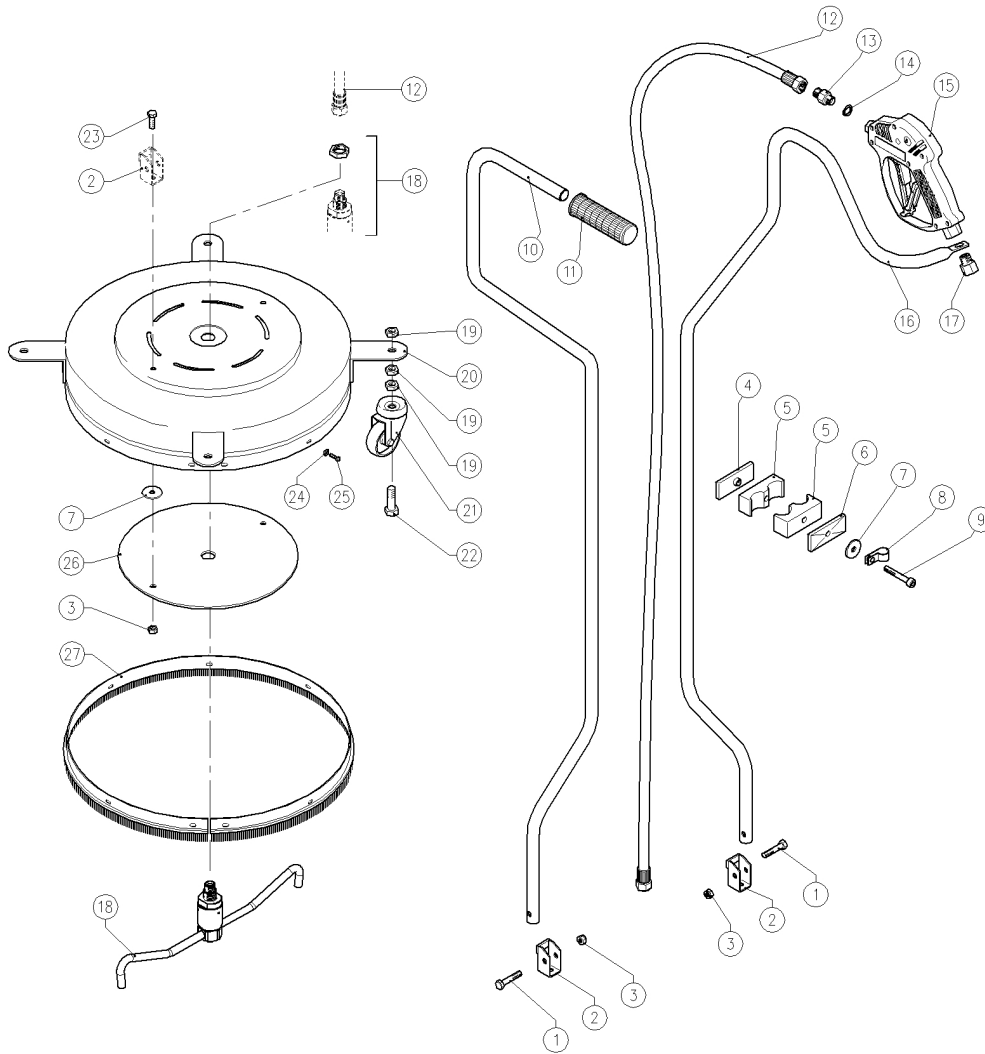
40.0290.80 Ext. Ars178+sst.nozzl. 50/200+blue tip.pr



Pos.	P/N	Description	Q.ty	K1	K2	K3	K4	
1	16.1360.20	Brass nozzle 50°.200 1/2 Bst	1					3
1	16.1361.20	Sst nozzle 50°.200 1/2 Bst (1)	1					2
2	40.0283.84	Nozzle protection, black (2)	1					1
2	40.0285.84	Nozzle protection, blue (3)	1					1
3	40.0291.51	Nozzle Holder, Ars 178- 1/2F Bsp- Sst.	1					3

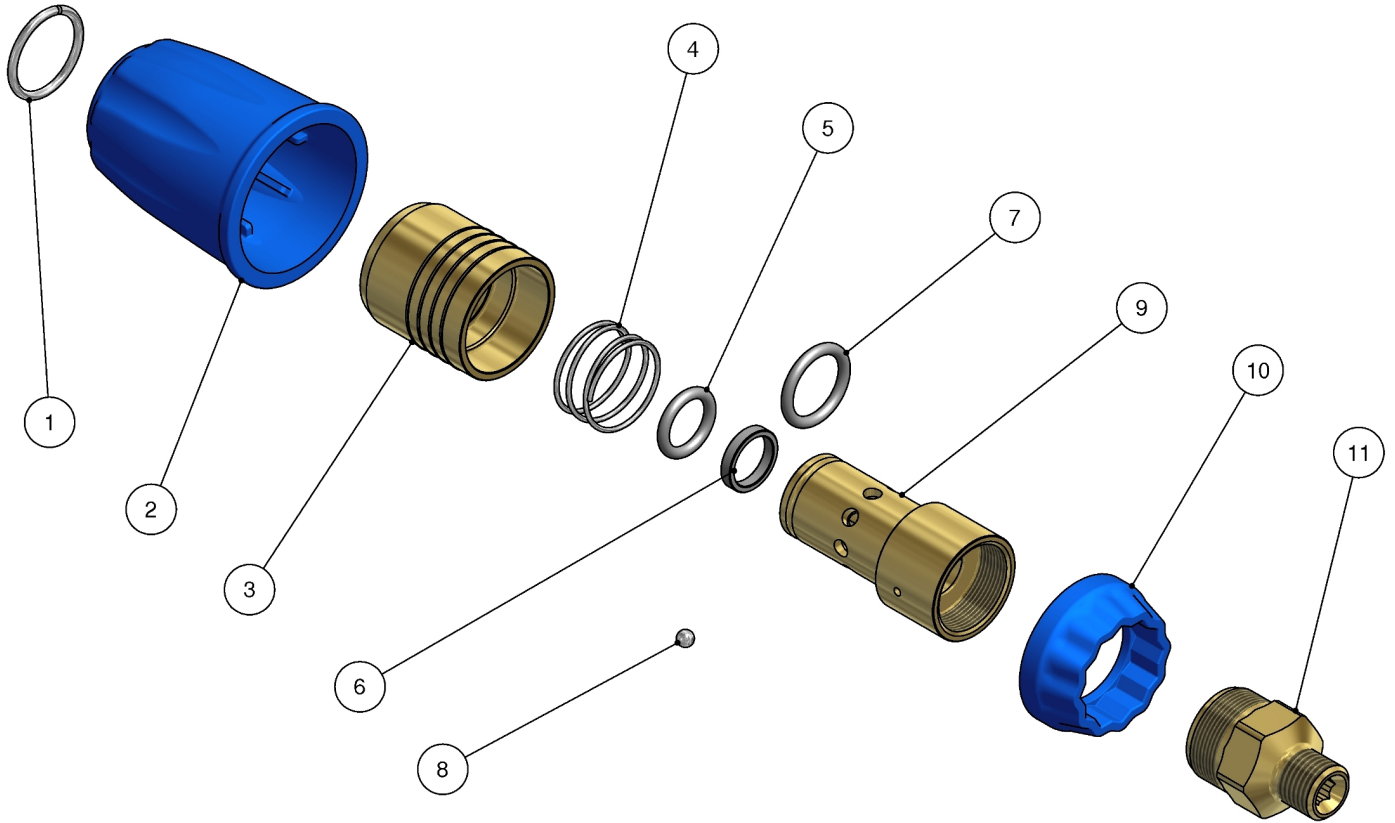
(1) 40.0290.80 (2) 40.0290.00 (3) 40.0290.60

29.0700.10 LPR8/2 floor cl,sst 3/8F Bsp,450mm,rot.nzl



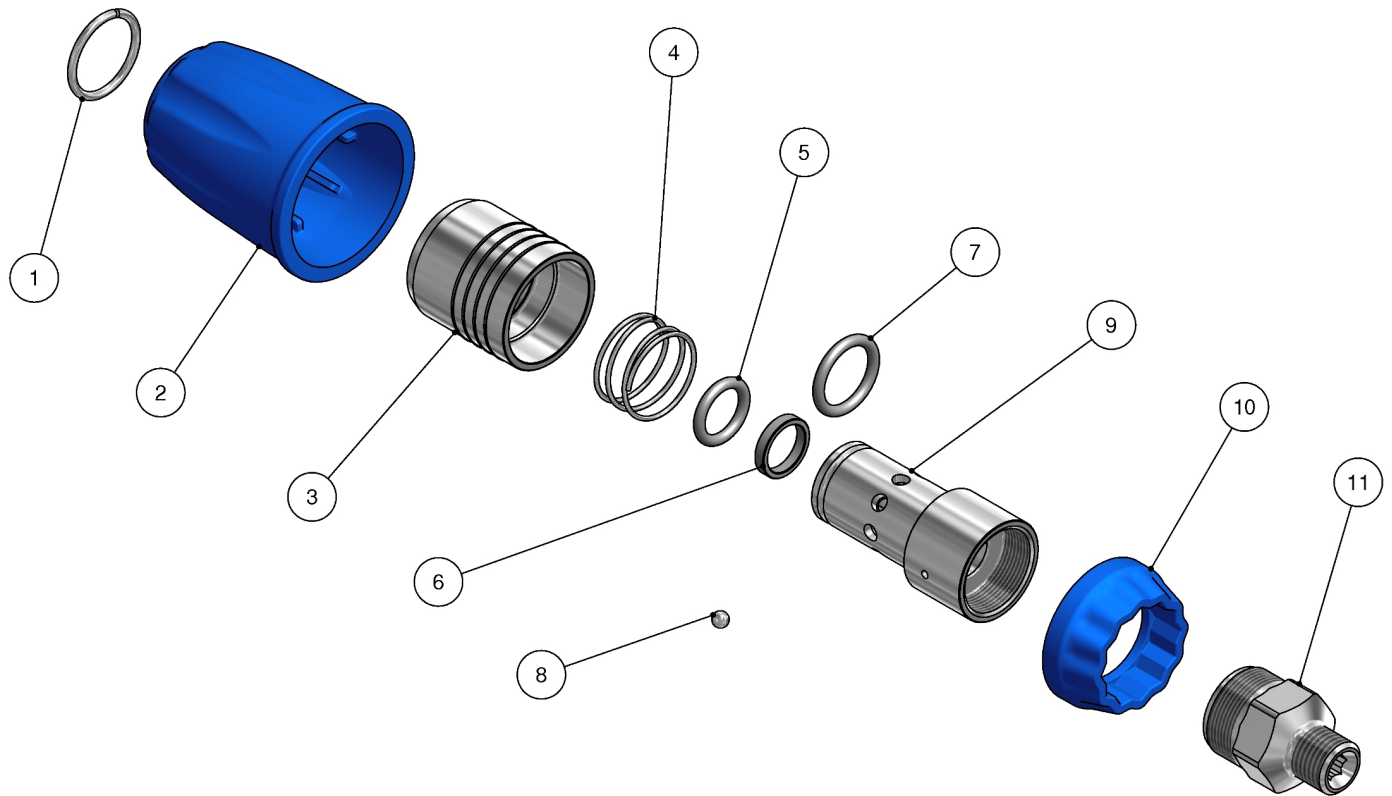
Pos.	P/N	Description	Q.ty	K1	K2	K3	K4	Pos.	P/N	Description	Q.ty	K1	K2	K3	K4
1	16.1958.40	Screw, DIN933 M8x40 mm Sst.	2				10	15	30.4500.10	RL56 spr.gun 3/8F-1/4F Bsp	1				8
2	29.0697.21	U-rest, Sst. +plaque	2				4	16	29.0683.56	Right handlebar, Sst.	1				1
3	11.4591.00	Hex. locknut, M8 Sst.	4				10	17	29.0689.31	Coupling, 3/8Bsp MF brass	1				5
4	11.0401.08	Plate, sst.	2				2	18	26.1440.00	GR38/400 - Rotating Head, 2x1/8FNpt -400m	1				1
5	11.0400.00	Collar, d.20x20 mm	4				2	19	11.4735.00	Hex. nut, M12, Sst.	12				10
6	29.0698.53	Plate, Sst.	2				1	20	29.0681.21	Casing -LPR, Sst. + plates	1				1
7	14.3575.32	Washer, 8,4x30x2,5 mm Sst.	4				10	21	14.5060.10	Rubber wheel, d.60 mm +Sst. rest	4				4
8	11.7519.00	Hose clamp, d.30 mm Sst.	2				5	22	16.1962.50	Screw, DIN933 M12x40 mm Sst.	4				10
9	16.1955.45	Screw, DIN912 M8x50 mm Sst.	2				10	23	16.1958.20	Screw, DIN933 M8x20 mm Sst.	2				10
10	29.0682.56	Left handlebar, Sst.	1				1	24	11.4512.00	Square nut M4	7				10
11	12.8317.20	Knob	1				3	25	16.1840.10	Screw, DIN7985 M4x14 mm Sst.	7				10
12	16.0509.15	Hose, 3/8F Bsp-F 1,4m blue	1				3	26	29.0685.53	Counterweight, Sst.	1				1
13	13.5011.00	Reduct.nipple, .z.pl. 1/4M-3/8M Bsp	1				25	27	29.0690.23	Round Brush -LPR, Sst.+PA white	1				1
14	14.3911.00	Washer, 13,5x19x1,5 mm Cu	1				10								

26.2410.60 ARS25P br B ball-typ.coup.1/4BspM pin



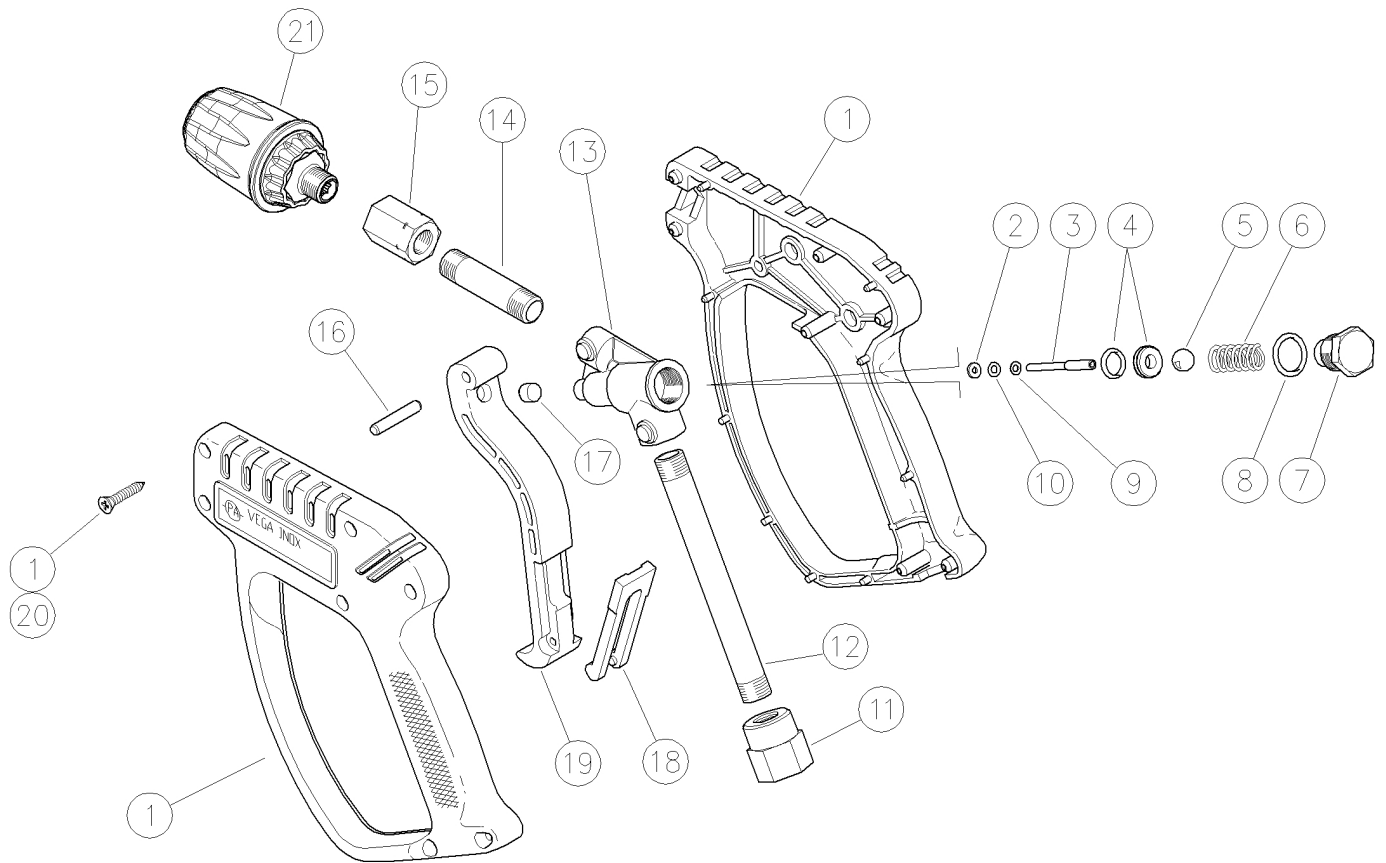
Pos.	P/N	Description	Q.ty	K1	K2	K3	K4		Pos.	P/N	Description	Q.ty	K1	K2	K3	K4	
1	26.2406.51	Snap ring, 2x18,3 mm Sst.	1					10	7	10.3180.10	O-ring, 2,62x15,08 mm vi.	1					10
2	26.2411.21	ARS25 - Handle + inset	1					5	8	14.7405.00	Ball, 5/32" Sst.	8					10
4	26.2405.51	Spring, 1,1x21,2x25mm Sst	1					10	9	30.2822.31	ARS25-Ball-holding pin - brass	1					5
5	10.3176.10	O-Ring, 2,62x11,91 mm Vi 70	1					5	10	30.2825.84	Guard ring, ARS 25 blue	1					5
6	10.4043.29	Back-up ring, 12 x 15 x2,9 mm	1					10	11	26.2441.31	Coupl. ARS25, 1/4 M Bsp - brass	1					3

26.2440.60 ARS25Psst-B ball-typ.coupl.1/4BspM



Pos.	P/N	Description	Q.ty	K1	K2	K3	K4		Pos.	P/N	Description	Q.ty	K1	K2	K3	K4	
1	26.2406.51	Snap ring, 2x18,3 mm Sst.	1					10	7	10.3180.10	O-ring, 2,62x15,08 mm vi.	1					10
2	30.2826.21	Hand nut, ARS 25 blue	1					5	8	14.7405.00	Ball, 5/32" Sst.	8					10
4	26.2405.51	Spring, 1,1x21,2x25mm Sst	1					10	9	30.2822.51	Housing -ARS 25, M16- F Sst.	1					5
5	10.3176.10	O-Ring, 2,62x11,91 mm Vi 70	1					5	10	30.2825.84	Guard ring, ARS 25 blue	1					5
6	10.4043.29	Back-up ring, 12 x 15 x2,9 mm	1					10	11	26.2441.51	Coupl. ARS25, 1/4 M Bsp -sst	1					3

30.3140.60 Sst. Vega 3/8F Bsp+B Ars 25 sst

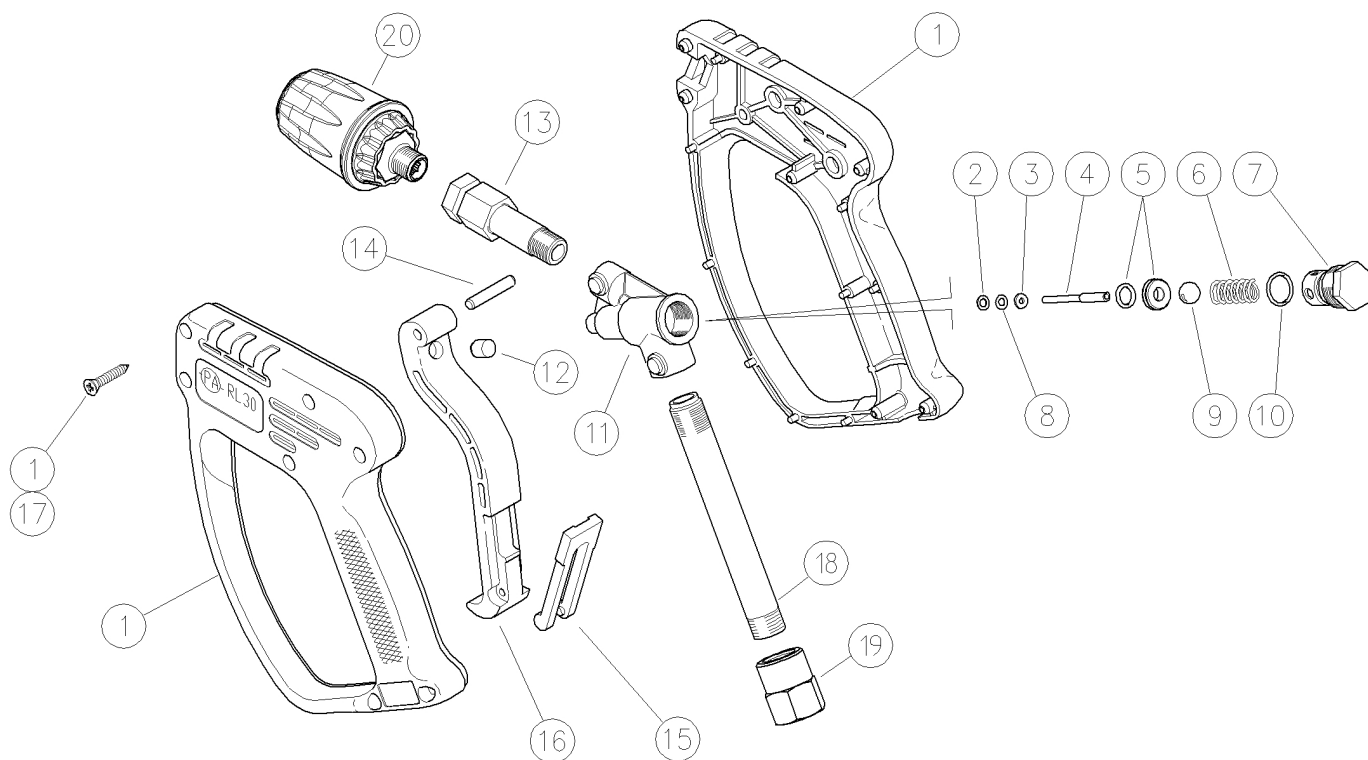


Pos.	P/N	Description	Q.ty	K1	K2	K3	K4	
1	30.3157.24	Casing-kit -VEGA inox +screws, Sst.	1					1
2	10.4018.00	Back-up ring, 3,2x7,5x1,2 mm	1	•				10
3	30.2516.51	Piston, 3 mm Sst.	1	•				10
4	30.2014.20	Seat, 6mm Sst.+O-ring 1,78mm	1	•				10
5	14.7443.10	Ball, 11/32" Sst.	1	•				10
6	30.3054.51	Spring, 1,6x9,7x22 mm Sst.	1					10
7	30.3053.51	Plug, M16x1 M Sst.	1					5
8	10.3064.01	O-ring, 1,78x14 mm Ni 85	1	•				10
9	14.3511.00	Washer, 3,2x7x0,5 mm sst.	1					10
10	10.3165.00	O-ring, 2,62x2,84 mm Vi 70	1	•				10
11	30.3155.51	Coupl., 1/4F Bsp-3/8F Bsp Sst.	1					5

Pos.	P/N	Description	Q.ty	K1	K2	K3	K4	
12	30.3154.56	Tube, 1/4Bspt MM 127mm Sst.	1					5
13	30.3152.55	Housing -VEGA, Sst.	1					3
14	30.3159.56	Tube, 1/4Bspt MM 54mm Sst.	1					5
15	30.2009.51	Coupling, 1/4F Bsp-1/4F Bspt Sst.	1					5
16	30.2517.31	Parallel pin, 5x27,5 mm brass	1					10
17	30.0675.84	Stop pin, 8x7,1mm PA	1					10
18	30.1510.84	Safety latch, PA red	1					10
19	30.2506.84	Trigger -RL31, PA black	1					10
20	16.3075.51	S/tapping screw, DIN7981 3,5x18 mm Sst.	7					10
21	26.2440.60	ARS25Psst-B ball-typ.coupl.1/4BspM pin12-Kw	1					5

Kit	P/N	Description	
K1	30.2528.24	Spares kit -VEGA inox - RL31 7x1pcs.	1

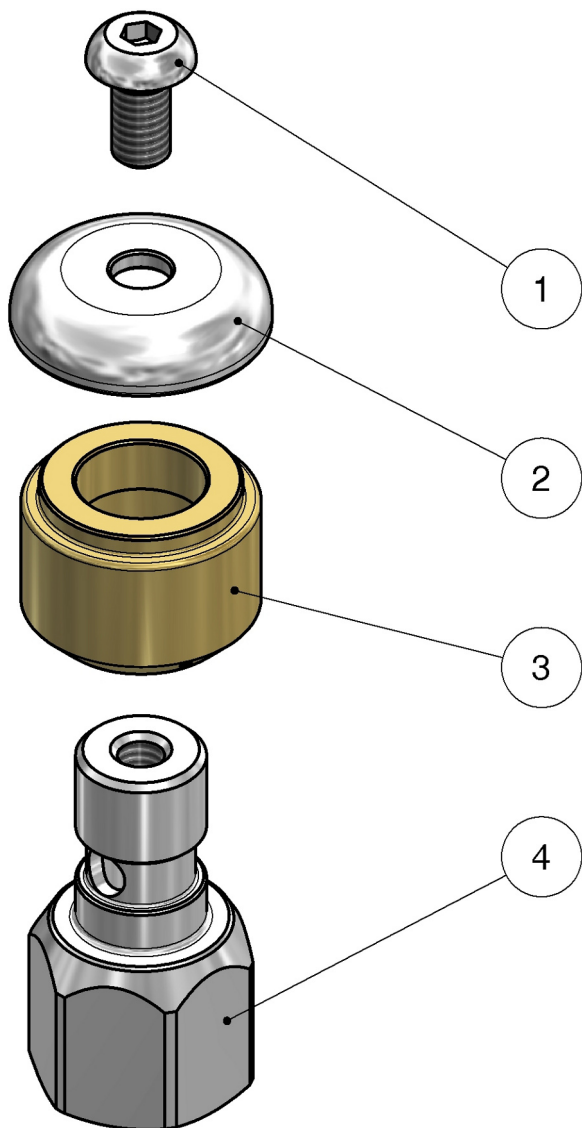
30.2540.60 RL30 spr.gun 3/8F Bsp+B Ars 25 brass



Pos.	P/N	Description	Q.ty	K1	K2	K3	K4		Pos.	P/N	Description	Q.ty	K1	K2	K3	K4	
1	30.2501.24	Casing-kit -RL30 +screws, Sst.	1					1	11	30.2597.35	Housing -RL30, brass	1					5
2	10.4018.00	Back-up ring, 3,2x7,5x1,2 mm	1	•				10	12	30.0675.84	Stop pin, 8x7,1mm PA	1					10
3	14.3511.00	Washer, 3,2x7x0,5 mm sst.	1					10	13	30.1006.35	Front tube, 1/4F Bsp 54 mm brass	1					5
4	30.2516.51	Piston, 3 mm Sst.	1	•				10	14	30.2517.31	Parallel pin, 5x27,5 mm brass	1					10
5	30.1708.20	Seat, 6mm Sst.+O-ring 1,78mm NBR85	1	•				10	15	30.1510.84	Safety latch, PA red	1					10
6	30.2596.51	Spring, 1,5x6,1x23 mm Sst.	1					10	16	30.2506.84	Trigger -RL31, PA black	1					10
7	30.2595.31	Spring plug, M16x1 brass	1					10	17	16.3077.00	S/tapping screw, DIN7981 3,5x18 mm	7					10
8	10.3165.00	O-ring, 2,62x2,84 mm Vi 70	1	•				10	18	30.1011.36	Tube, M15 127 mm brass	1					5
9	14.7448.00	Ball, 5/16" Sst.	1	•				10	19	30.2523.31	Coupl., 3/8 Bsp F brass	1					5
10	10.3020.02	O-ring, 1,5x10 mm Ni 85	1	•				10	20	26.2410.60	ARS25P br B ball-ty.p.coup.1/4BspM pin 12-kw	1					5
Kit	P/N	Description															
K1	30.2559.24	Spares kit -RL30, 6(7)x1pcs.	1					1									

- 25.1285.30 STR-1/8-03 Rotat. drain Clean. noz.1/8 Bsp F
- 25.1285.40 STR-1/8-04 Rotat. drain Clean. noz.1/8 Bsp F
- 25.1285.50 STR-1/8-05 Rotat. drain Clean. noz.1/8 Bsp F
- 25.1285.60 STR-1/8-06 Rotat. drain Clean. noz.1/8 Bsp F
- 25.1285.70 STR-1/8-07 Rotat. drain Clean. noz.1/8 Bsp F
- 25.1285.80 STR-1/8-08 Rotat. drain Clean. noz.1/8 Bsp F
- 25.1290.30 STR-1/4-03 Rotat. drain Clean. noz.1/4 Bsp F
- 25.1290.40 STR-1/4-04 Rotat. drain Clean. noz.1/4 Bsp F
- 25.1290.50 STR-1/4-05 Rotat. drain Clean. noz.1/4 Bsp F

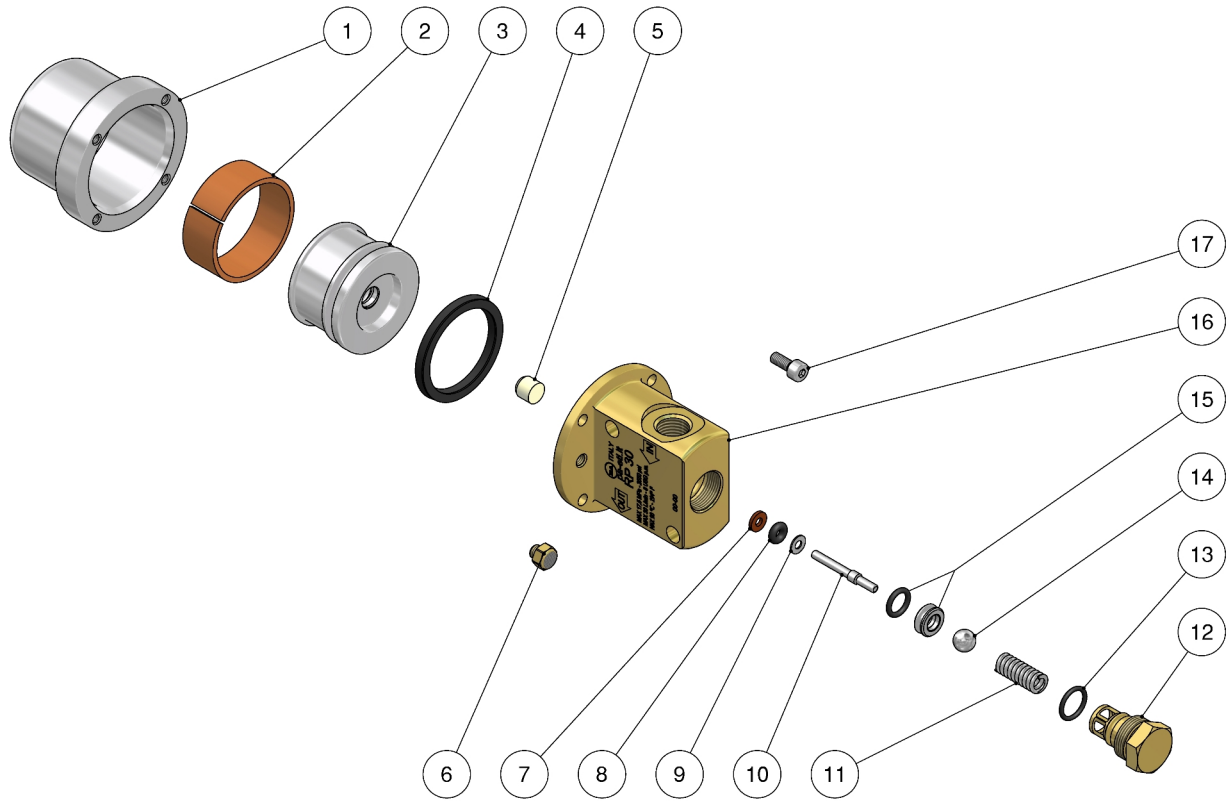
- 25.1290.60 STR-1/4-06 Rotat. drain Clean. noz.1/4 Bsp F
- 25.1290.70 STR-1/4-07 Rotat. drain Clean. noz.1/4 Bsp F
- 25.1290.80 STR-1/4-08 Rotat. drain Clean. noz.1/4 Bsp F
- 25.1295.10 STR-3/8-10 Rotat. drain Clean. noz.3/8 Bsp F
- 25.1295.11 STR-3/8-11 Rotat. drain Clean. noz.3/8 Bsp F
- 25.1295.60 STR-3/8-06 Rotat. drain Clean. noz.3/8 Bsp F
- 25.1295.70 STR-3/8-07 Rotat. drain Clean. noz.3/8 Bsp F
- 25.1295.80 STR-3/8-08 Rotat. drain Clean. noz.3/8 Bsp F
- 25.1295.90 STR-3/8-09 Rotat. drain Clean. noz.3/8 Bsp F



Pos.	P/N	Description	Q.ty	K1	K2	K3	K4	
1	16.1831.00	Screw, ISO7380 M4x8 mm Sst.	1					10
1	16.1832.00	Screw, ISO7380 M6x8 mm Sst. (1)	1					10
2	25.1287.51	Sst washer, d.18 mm	1					5
2	25.1297.51	Sst washer, d.22 mm (1)	1					5
3	25.1273.38	Rotating body, 03-3x0,55mm (2,3)	1					5
3	25.1274.38	Rotating body, 04-3x0,7 mm	1					5
3	25.1275.38	Rotating body, 05-3x0,85mm (4)	1					5
3	25.1276.38	Rotating body, 06-3x0,95mm (1,5)	1					5
3	25.1277.38	Rotating body, 07-3x1,05 mm (6,7)	1					5
3	25.1278.38	Rotating body, 08-3x1,10 mm (8,9)	1					5
3	25.1346.38	Rotating body, 06-3x0,85 mm-d.22 mm (10)	1					5
3	25.1347.38	Rotating body, 07-3x0,90 mm-d.22 mm (11)	1					5
3	25.1348.38	Rotating body, 08-3x0,95 mm-d.22 mm (12)	1					3
3	25.1345.38	Rotating body, 11-3x1,15 mm-d.22 mm (13)	1					3
3	25.1344.38	Rotating body, 10-3x1,10 mm-d.22 mm (14)	1					5
3	25.1343.38	Rotating body, 09-3x1,05 mm-d.22 mm (15)	1					5
4	25.1286.51	Sst coupling, 1/8 F Bsp (10)	1					5
4	25.1291.51	Sst coupling, 1/4 F Bsp	1					3
4	25.1296.51	Sst coupling, 3/8 F Bsp (2,9)	1					5

(1) 25.1285.60 (2) 25.1285.30 (3) 25.1290.30 (4) 25.1285.50 (5) 25.1290.60
 (6) 25.1285.70 (7) 25.1290.70 (8) 25.1285.80 (9) 25.1290.80 (10) 25.1295.60
 (11) 25.1295.70 (12) 25.1295.80 (13) 25.1295.11 (14) 25.1295.10 (15) 25.1295.90

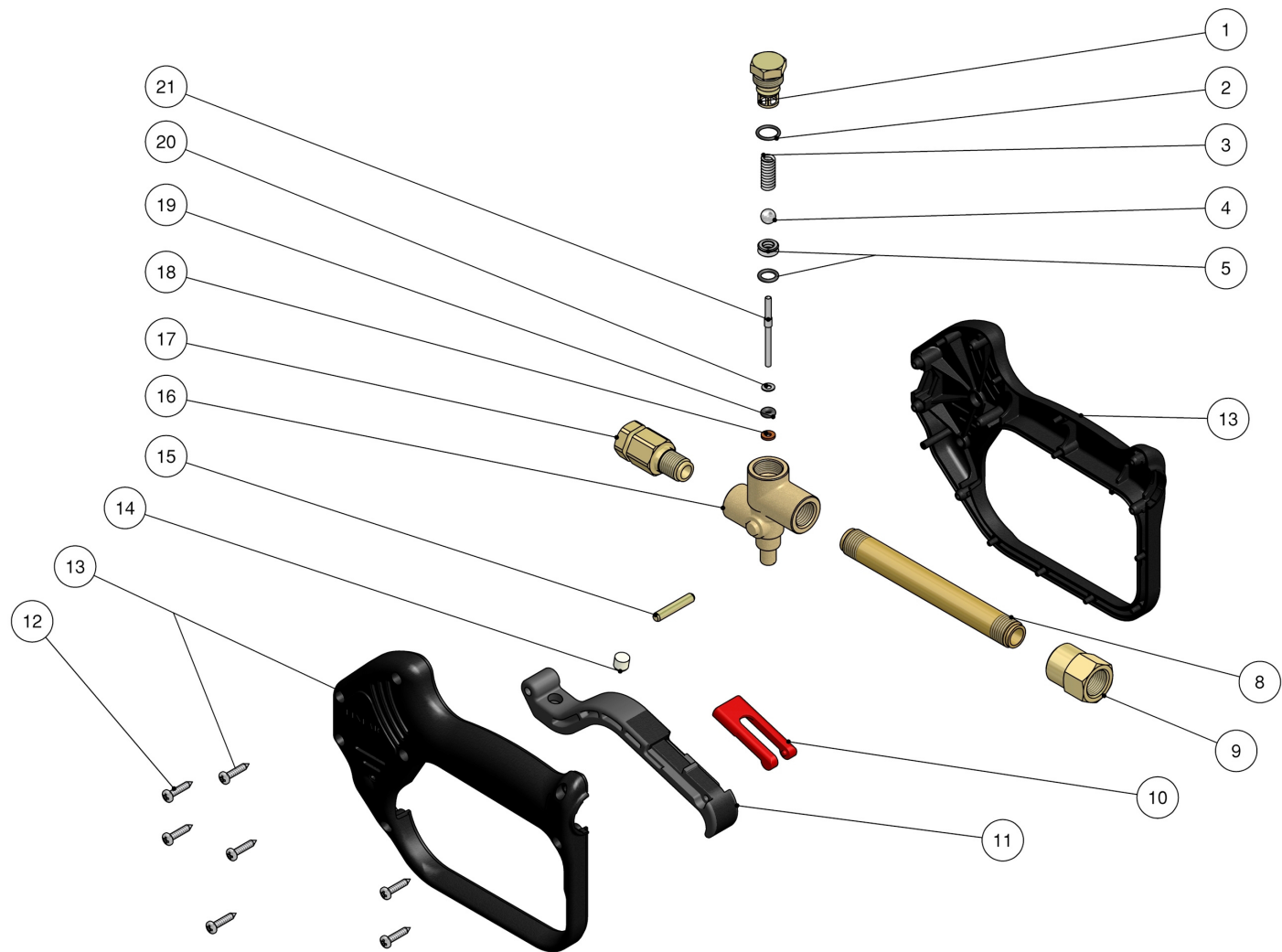
30.3280.00 RP30 1/4FF Bsp air compr.on-off gun



Pos.	P/N	Description	Q.ty	K1	K2	K3	K4		Pos.	P/N	Description	Q.ty	K1	K2	K3	K4	
1	30.3283.41	Jacket, Al -RP30	1					3	10	30.0704.51	Piston, 3-4 mm Sst.	1					10
2	30.3285.85	Bushing, opn. 118x14,8mm PTFE	1					5	11	30.2596.51	Spring, 1,5x6,1x23 mm Sst.	1					10
3	30.3281.41	Piston, RP30	1					2	12	30.2595.31	Spring plug, M16x1 brass	1					10
4	10.2041.32	Piston seal, 40x32x3,25 mm	1					3	13	10.3020.02	O-ring, 1,5x10 mm Ni 85	1					10
5	30.0675.84	Stop pin, 8x7,1mm PA	1					10	14	14.7448.00	Ball, 5/16" Sst.	1					10
6	13.0805.00	Screw M5 brass	1					3	15	30.1708.20	Seat, 6mm Sst.+O-ring 1,78mm NBR85	1					10
7	10.4018.00	Back-up ring, 3,2x7,5x1,2 mm	1					10	16	30.3282.31	Hous.-RP30-1/4"Bsp FF	1					2
8	10.3165.00	O-ring, 2,62x2,84 mm Vi 70	1					10	17	16.1834.00	Z.pl.screw M4x10 mm	4					10
9	14.3511.00	Washer, 3,2x7x0,5 mm sst.	1					10									

30.0620.00 Linear 3 spr.gun 3/8F-1/4F Bsp

30.0620.50 Linear 3 spr.gun 3/8-1/4 Npt FF



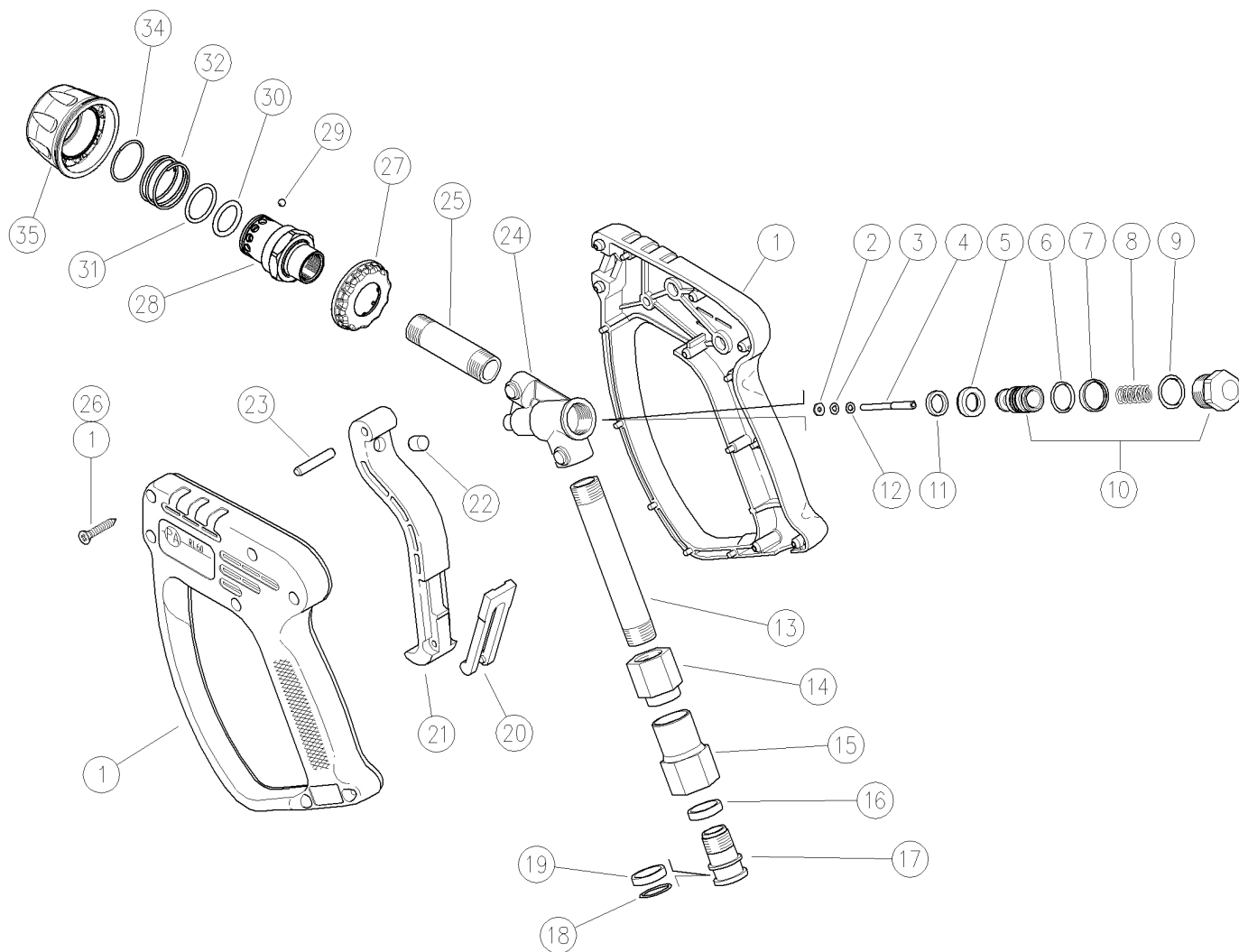
Pos.	P/N	Description	Q.ty	K1	K2	K3	K4	
1	30.2595.31	Spring plug, M16x1 brass	1					10
2	10.3020.02	O-ring, 1,5x10 mm Ni 85	1	•				10
3	30.2596.51	Spring, 1,5x6,1x23 mm Sst.	1					10
4	14.7448.00	Ball, 5/16" Sst.	1	•				10
5	30.1708.20	Seat, 6mm Sst.+O-ring 1,78mm NBR85	1	•				10
8	30.1011.36	Tube, M15 127 mm brass	1					5
9	30.2523.31	Coupl., 3/8 Bsp F brass	1					5
9	30.1012.31	Coupl., 3/8 Npt F brass (1)	1					3
10	30.1510.84	Safety latch, PA red	1					10
11	30.2506.84	Trigger -RL31, PA black	1					10
12	16.3077.00	S/tapping screw, DIN7981 3,5x18 mm	7					10

Pos.	P/N	Description	Q.ty	K1	K2	K3	K4	
14	30.0675.84	Stop pin, 8x7,1mm PA	1					10
13	30.0631.24	Casing-kit -LINEAR3, +screws	1					1
14	30.0675.84	Stop pin, 8x7,1mm PA	1					10
15	30.2517.31	Parallel pin, 5x27,5 mm brass	1					10
16	30.0625.35	Housing -Linear 3, brass	1					2
17	30.0606.31	Tube, 1/4F Bsp 44 mm brass	1					10
17	30.0607.31	Tube, 1/4F Npt 44 mm brass (1)	1					5
18	10.4018.00	Back-up ring, 3,2x7,5x1,2 mm	1	•				10
19	10.3165.00	O-ring, 2,62x2,84 mm Vi 70	1	•				10
20	14.3511.00	Washer, 3,2x7x0,5 mm sst.	1					10
21	30.2516.51	Piston, 3 mm Sst.	1	•				10

Kit	P/N	Description	
K1	30.2559.24	Spares kit -RL30, 6(7)x1pcs.	1

(1) 30.0620.50

30.3190.00 RL60 sst spr.gun sw5- 1/2F- Bsp-ARS 178 B

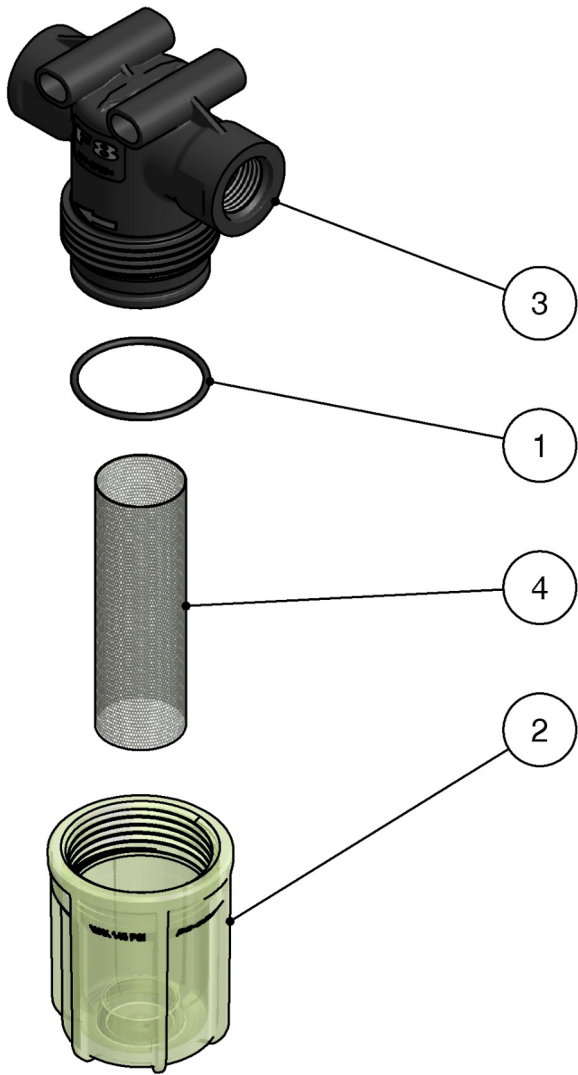


Pos.	P/N	Description	Q.ty	K1	K2	K3	K4	Pos.	P/N	Description	Q.ty	K1	K2	K3	K4
1	30.3188.24	Casing-kit -RL60 +screws, Sst.	1					18	10.3092.10	O-ring, 2x15 mm Vi 70	1				10
2	10.4018.00	Back-up ring, 3,2x7,5x1,2 mm	1	•				19	26.1075.85	Bushing, open 15,5x19x4 mm PTFE	1	•			5
3	10.3165.00	O-ring, 2,62x2,84 mm Vi 70	1	•				20	30.1510.84	Safety latch, PA red	1				10
4	30.2516.51	Piston, 3 mm Sst.	1	•				20	30.1515.84	Safety latch, PA blue	1				10
5	30.3179.85	Seat, 10x16,3x4,5 mm PTFE	1	•				21	30.2506.84	Trigger -RL31, PA black	1				10
6	10.4157.00	Stem seal, 12,4x14x2 mm	1	•				22	30.0675.51	Stop pin, 8x7,1mm Sst.	1				10
7	10.3020.10	O-ring, 1,5x10 mm Vi 70	1	•				23	30.2517.31	Parallel pin, 5x27,5 mm brass	1				10
8	30.1507.51	Spring, 1,4x9x21 mm Sst.	1	•				24	30.3175.55	Housing -RL60, Sst.	1				3
9	10.3003.10	O-ring, 1x15 mm Vi 70	1	•				25	30.2807.56	Front tube, 53mm-M16x1 MM Sst.	1				3
10	30.3185.24	Spares kit -RL60, Plug+Piston	1					26	16.3075.51	S/tapping screw, DIN7981 3,5x18 mm Sst.	7				10
10	30.3189.24	Spares kit -RL60, Plug+Piston 1 mm	1					27	30.2810.84	Guard ring, ARS 178 blue	1				5
11	30.3178.51	Spacer ring, Sst.	1				3	28	30.2808.51	Housing -ARS178, M16- F Sst.	1				5
12	14.3511.00	Washer, 3,2x7x0,5 mm sst.	1				10	29	14.7405.00	Ball, 5/32" Sst.	12				10
13	30.3173.56	Tube, M16x1 MM 96mm Sst.	1				5	30	10.3181.25	O-Ring, 2,62x15,88 mm Vit.	1				10
14	30.3181.51	Coupl., M16x1F-M15x1F Sst.	1				3	31	10.3068.10	O-ring, 1,78x17,17 mm Vi 70	1				10
15	30.3182.51	Coupl., 1/2F Bsp Sst.	1				3	32	26.2502.51	Sst spring, 1,3x26x22mm	1				10
16	26.1074.85	Bushing, 15,5x19x4 mm PTFE	1	•			5	34	26.2504.51	Snap ring, 1,3 mm sst	1				10
17	26.1072.51	Pin, M15x1-19 mm Sst.	1	•			5	35	30.2812.21	Hand nut, ARS 178 blue	1				5

Kit	P/N	Description	Q.ty
K1	30.3183.24	Repair kit -RL60+sw, 11x1pcs.	1

28.0380.00 F8 -Suct.strainer, 1/2FF

28.0380.15 F8 -Suct.strainer, 1/2FF



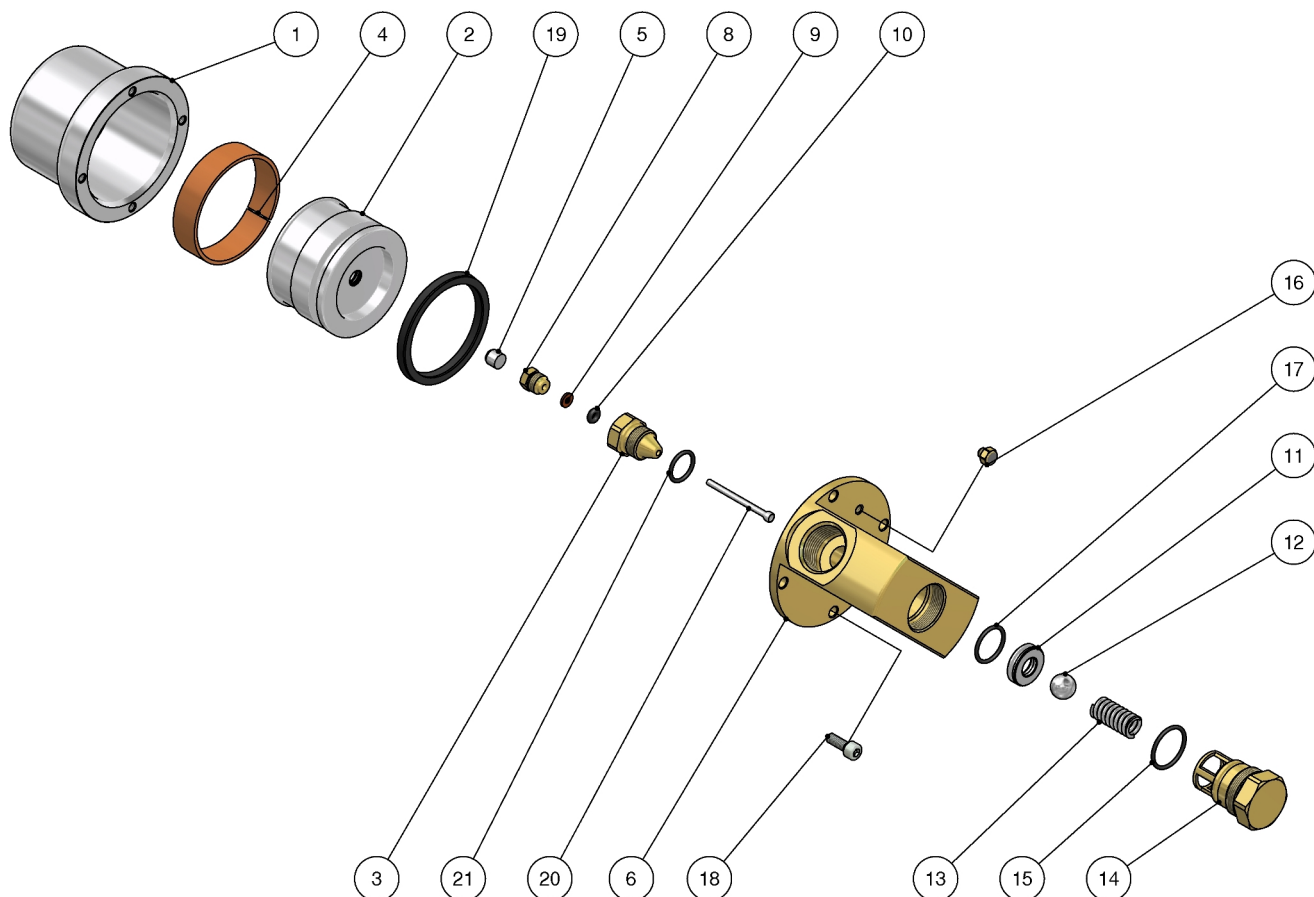
28.0390.00 F8 -Suct.strainer, 3/4 FF

28.0390.15 F8-Suct.strainer, 3/4 FF

Pos.	P/N	Description	Q.ty	K1	K2	K3	K4	
1	10.3105.00	O-ring, 2x38 mm	1					10
2	28.0382.84	Strainer plug, F8	1					3
3	28.0391.84	Strain.housing, 3/4FF- PP black (1,2)	1					3
3	28.0381.84	Strain.housing, 1/2FF-Bsp PP black (3,4)	1					3
4	28.0323.53	Net, 27x90mm 46mesh-300µm Sst. (3,1)	1					3
4	28.0326.53	Net, 27x90-100me-150µm Sst. (4,2)	1					3

(1) 28.0390.00 (2) 28.0390.15 (3) 28.0380.00 (4) 28.0380.15

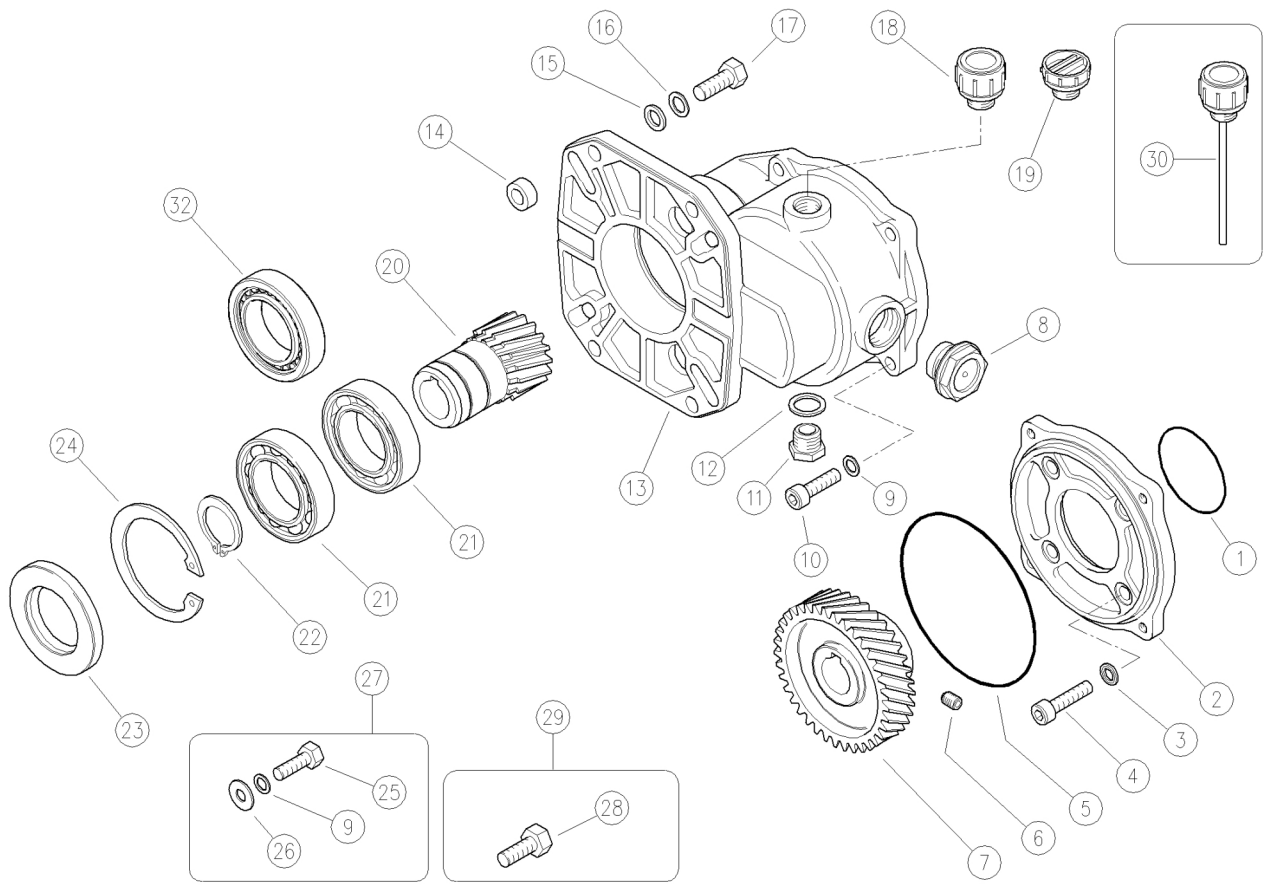
30.3200.00 RP120 3/4FF Bsp air compr.on-off gun



Pos.	P/N	Description	Q.ty	K1	K2	K3	K4		Pos.	P/N	Description	Q.ty	K1	K2	K3	K4	
1	30.3206.41	Jacket, Al -RP120	1					3	12	14.7465.00	Ball, 1/2" Sst.	1					5
2	30.3207.41	Piston, RP120	1					2	13	30.5304.51	Spring, 2x29x9,9 mm Sst.	1					5
3	30.3203.31	Plug, M16x1 brass	1					5	14	30.3205.31	Spring plug, M26x1 brass	1					2
4	30.3204.85	Bushing, opn. 181x14,8mm PTFE	1					5	15	10.3072.01	O-ring, 1,78x20,35 mm Ni 85	1					10
5	30.0675.51	Stop pin, 8x7,1mm Sst.	1					10	16	13.0805.00	Screw M5 brass	1					3
6	30.3201.31	Brass hous.-RP120-3/4" Bsp FF	1					2	17	10.3068.01	O-ring, 1,78x17,17 mm Ni 85	1					10
8	30.4115.31	Front Plug, M10x1 brass	1					10	18	16.1868.14	Z.pl.screw M5x14 mm	4					4
9	10.4018.00	Back-up ring, 3,2x7,5x1,2 mm	1					10	19	10.2060.50	Piston seal, 60x50x5 mm	1					3
10	10.3165.00	O-ring, 2,62x2,84 mm Vi 70	1					10	20	30.3208.51	Pin, 3,0x44,4mm Sst.	1					3
11	30.5308.51	Seat, Sst.	1					3	21	10.3064.01	O-ring, 1,78x14 mm Ni 85	1					10

50.0060.00 B24 Gear box 18-24 HP r.2,176:1
 50.0062.00 B24 Gear box 18-24 HP r.2,176:1

50.0071.00 B31 Gear box 24-31 Hp-r.2,176:1
 50.0071.30 B31 Gear box 24-31 Hp-r.2,176:1-30mm



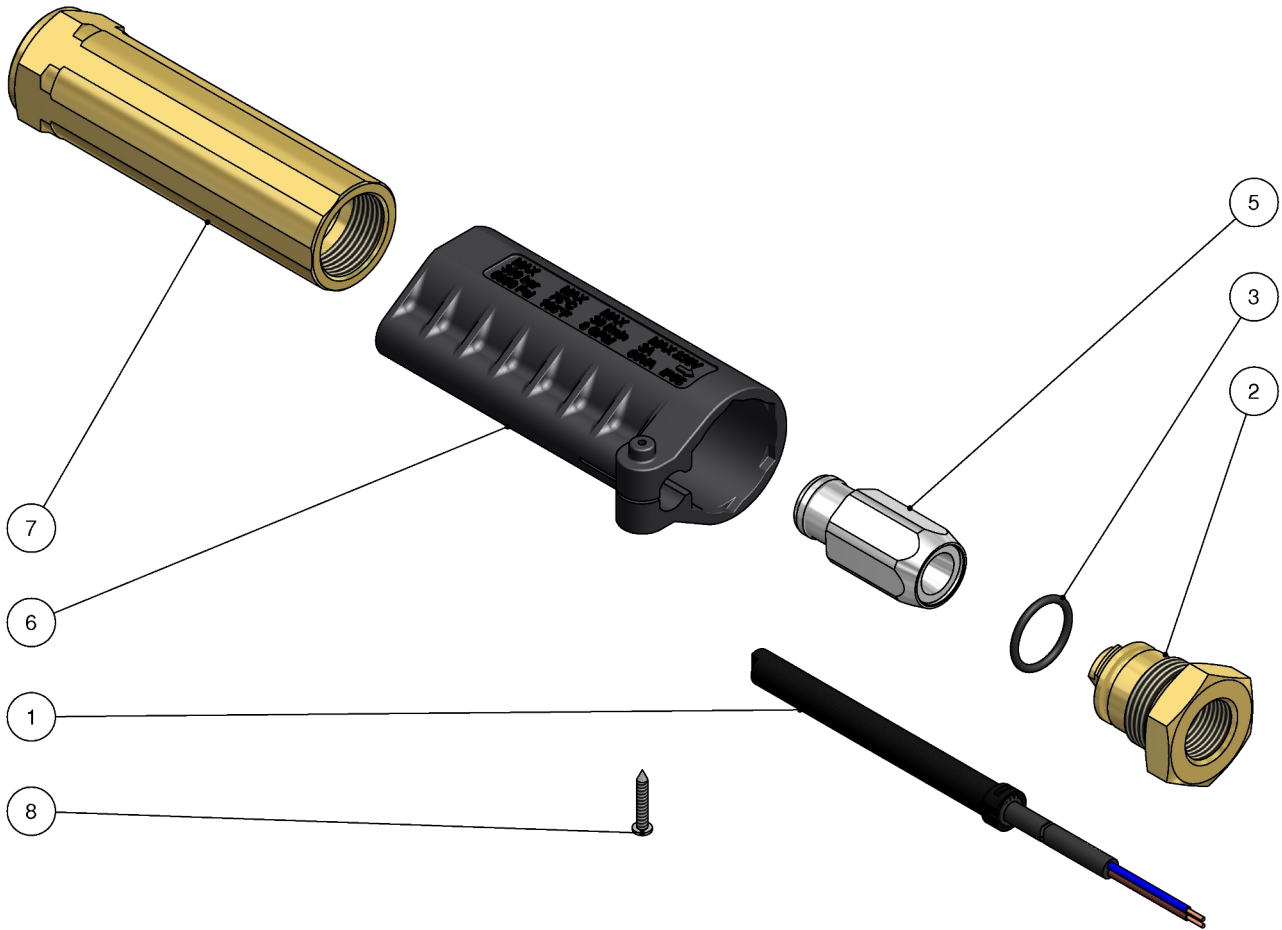
Pos.	P/N	Description	Q.ty	K1	K2	K3	K4	
1	10.3210.56	O-ring, 2,62x56,82 mm	1					10
2	50.0002.44	Gearbox flange, alum.	1					1
3	14.4098.00	Sealing washer, d.8 mm	4					5
4	16.1958.31	Screw, DIN912 M8x30 mm z.pl.	4					4
5	10.3211.11	O-ring, 2,62x113,92 mm	1					10
6	16.2223.00	Set screw, DIN916 M8x10 mm	1					10
7	50.0003.65	Ring gear, Z.37 d.24mm (1,2,3)	1					1
7	50.0072.65	Ring gear, Z.37 d.30mm (4)	1					1
8	15.3734.00	See-through oil plug 3/4" Bsp+seal	1					5
9	14.3652.00	Safet. washer, 8,4x13x0,8 mm	8					10
10	16.1958.26	Screw, DIN912 M8x25 mm z.pl.	4					4
11	60.0028.31	Plug,brass 3/8 Bsp,hex.19	1					25
12	14.4042.00	Washer, 16,7x22x1,5 mm alu.	1					25
13	50.0001.44	Gearbox case, alum.	1					1
14	50.0008.31	Spacer ring, 10,3x18x6 mm brass	4					4
15	14.3798.00	Washer, 10,5x17x2 mm	4					10
16	14.3653.00	Safet. washer, 10,5x16x1 mm	4					10

Pos.	P/N	Description	Q.ty	K1	K2	K3	K4	
17	16.2010.00	Screw, DIN933 3/8"UNCx1"1/4 z.pl.	4					4
18	15.3726.00	Oil plug 3/8" Bsp+seal	1					5
19	15.3725.00	Plug, 3/8" Bsp plast.	1					5
20	50.0006.21	Pinion, Z.17 d.1" (25,4mm) complete (2)	1					1
20	50.0007.21	Pinion, Z.17 d.1"1/8 (28,6mm) complete	1					1
21	11.4441.68	Ball-bearing, 40x68x15 mm (1,2)	2					2
21	11.4441.68	Ball-bearing, 40x68x15 mm (3,4)	1					2
22	10.1040.00	Snap ring, E 40	1					5
23	10.2040.72	Seal ring, 40x72x7 mm	1					3
24	10.1072.00	Snap ring, I 72	1					5
25	16.2009.00	Screw, DIN933 5/16"UNF x1" z.pl.	4					4
26	14.3572.00	Washer, 8,4x21x1,5 mm	4					10
27	50.0010.24	Lock-Kit, 127mm,5/16"screws+washers	1					1
28	16.2035.00	Screw, DIN933 M10x35 mm z.pl. **	4					10
29	50.0011.24	Lock-Kit, 165mm, M10 screws **	1					1
30	15.3728.00	Oil plug +dipstick **	1					3
32	11.4445.68	Bearing, 40x68x15 mm (3,4)	1					2

** On request

(1) 50.0060.00 (2) 50.0062.00 (3) 50.0071.00 (4) 50.0071.30

28.0430.00 FL7MS Flow switch 3/8FF Bsp-0,3 l/min

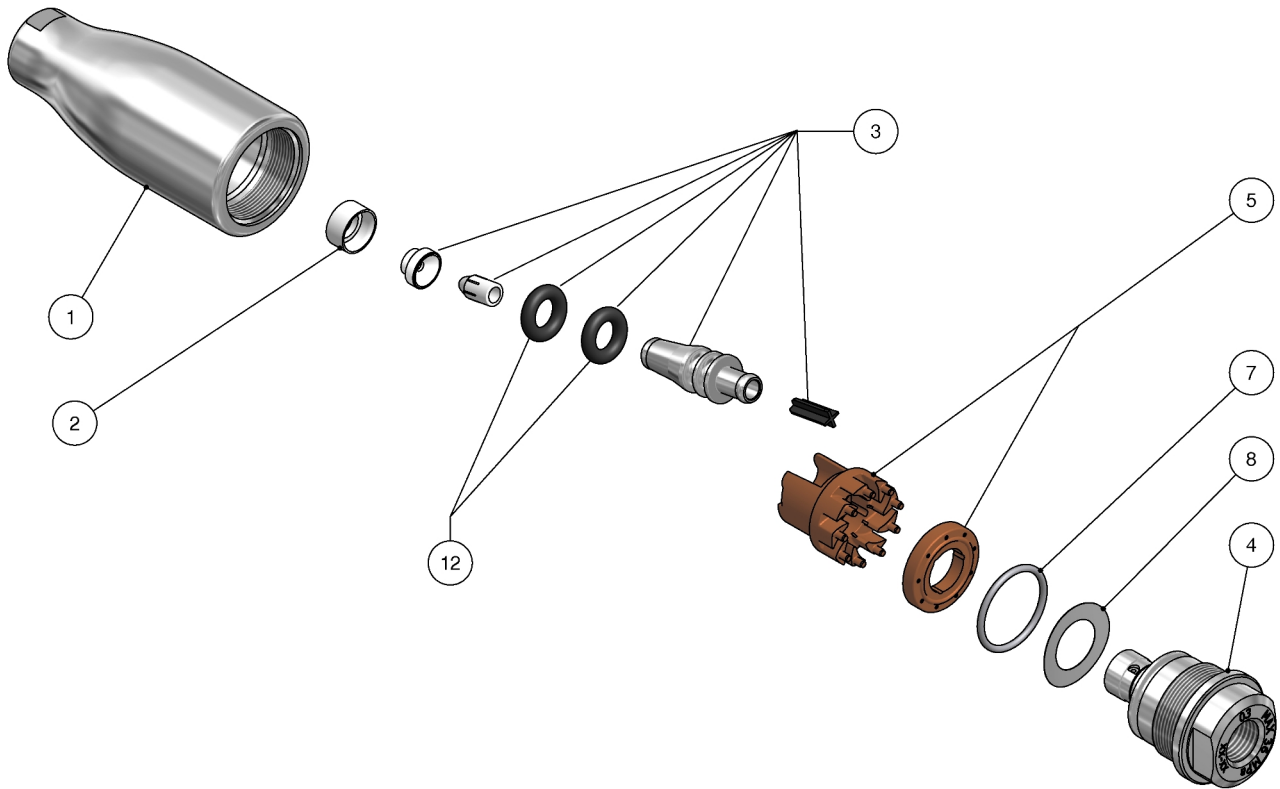


Pos.	P/N	Description	Q.ty	K1	K2	K3	K4	
1	28.0518.23	Feeler, 3A +1250 mm cable	1					5
2	28.0404.31	Fl/sw. coupl., M22M-3/8F Bsp br.	1					3
3	10.3066.01	O-ring, 1,78x15,6 mm Ni 85	1					10
5	28.0433.23	Sst magnet holder, MS	1					2

Pos.	P/N	Description	Q.ty	K1	K2	K3	K4	
6	28.0408.84	Flow switch housing, PA	1					5
7	28.0431.31	Fl/sw. housing, MS-3/8F Bsp brass	1					3
8	16.3021.18	S/tapping screw, DIN7981 2,5x16 mm	1					10

25.1410.30 UR36-03 Sst. rotat.nzl,36MPa
 25.1410.40 UR36-04 Sst. rotat.nzl,36MPa
 25.1410.50 UR36-05 Sst. rotat.nzl,36MPa

25.1410.60 UR36-06 Sst. rotat.nzl,36MPa
 25.1410.70 UR36-07 Sst. rotat.nzl,36MPa
 25.1410.80 UR36-08 Sst. rotat.nzl,36MPa

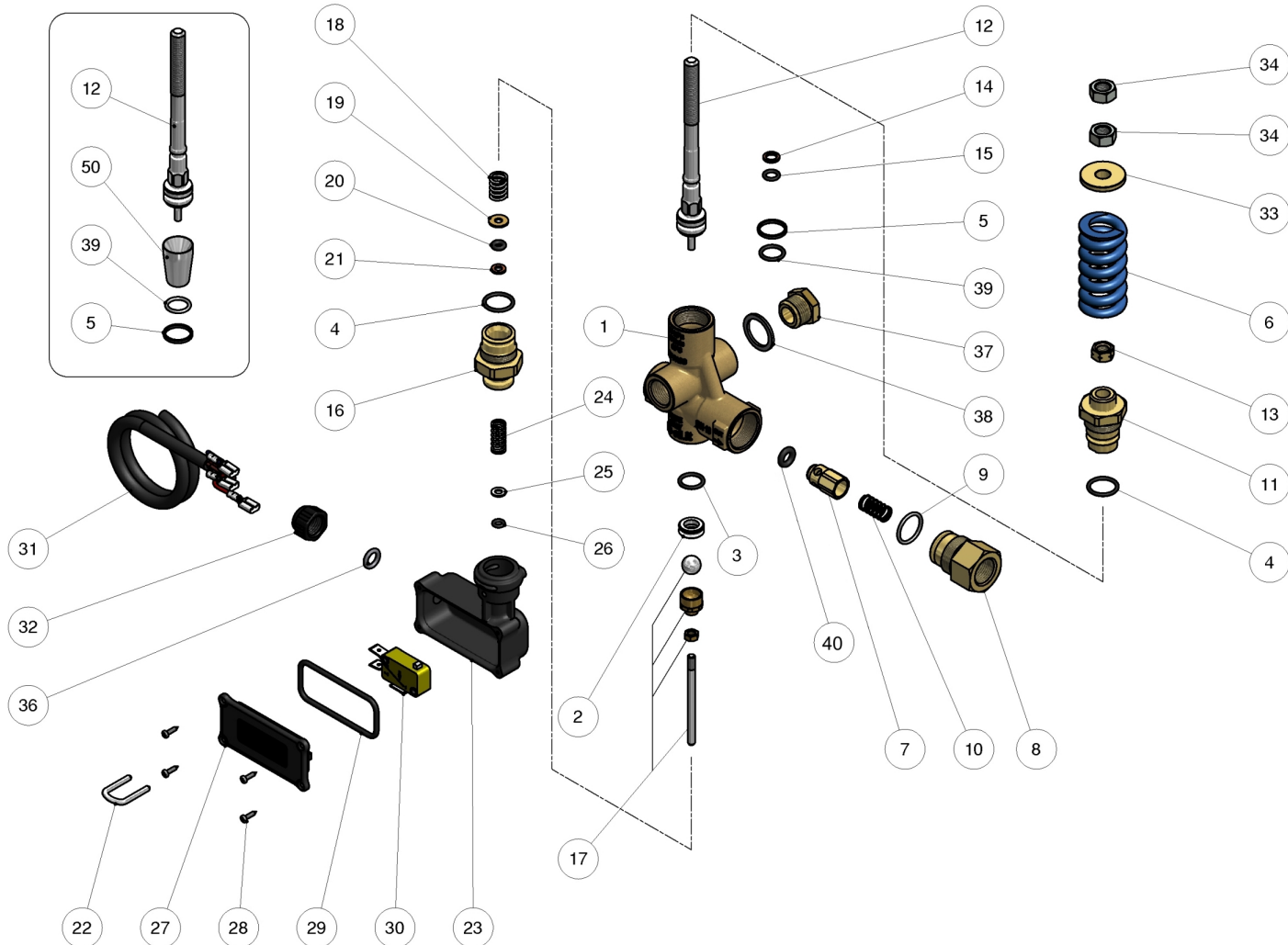


Pos.	P/N	Description	Q.ty	K1	K2	K3	K4		Pos.	P/N	Description	Q.ty	K1	K2	K3	K4	
1	25.1402.51	Sst housing -UR36	1					1	4	25.1404.51	Sst coupling, 1/4 F Bsp-FP.04 (2)	1					2
2	25.1624.85	Seal, 7,2x12x6 mm PTFE	1					10	4	25.1425.51	Sst coupling, 1/4 F Bsp-FP.05 (3)	1					2
3	25.1443.24	Spares kit -UR36.030 (1)	1					1	4	25.1406.51	Sst coupling, 1/4 F Bsp-FP.06 (4)	1					2
3	25.1444.24	Spares kit -UR36.040 (2)	1					1	4	25.1407.51	Sst coupling, 1/4 F Bsp-FP.07 (5)	1					2
3	25.1445.24	Spares kit -UR36.05 (3)	1					1	4	25.1408.51	Sst coupling, 1/4 F Bsp-FP.08 (6)	1					2
3	25.1446.24	Spares kit -UR36.060 (4)	1					1	5	25.1631.22	Turbine	1					3
3	25.1447.24	Spares kit -UR36.070 (5)	1					1	7	10.3072.01	O-ring, 1,78x20,35 mm Ni 85	1					10
3	25.1448.24	Spares kit -UR36.080 (6)	1					1	8	25.1626.63	Washer, 14,8x23x0,1mm Sst.	1					5
4	25.1403.51	Sst coupling, 1/4 F Bsp-FP.03 (1)	1					1	12	10.3230.00	O-Ring, 3,53x7,52 mm Ni 70	2					10

(1) 25.1410.30 (2) 25.1410.40 (3) 25.1410.50 (4) 25.1410.60 (5) 25.1410.70 (6) 25.1410.80

60.0158.60 Pulsar 4 unload. 3/8F Bsp+micr/sw-31MPa

60.0158.65 Pulsar 4 unload. 3/8F Npt+micr/sw-31MPa



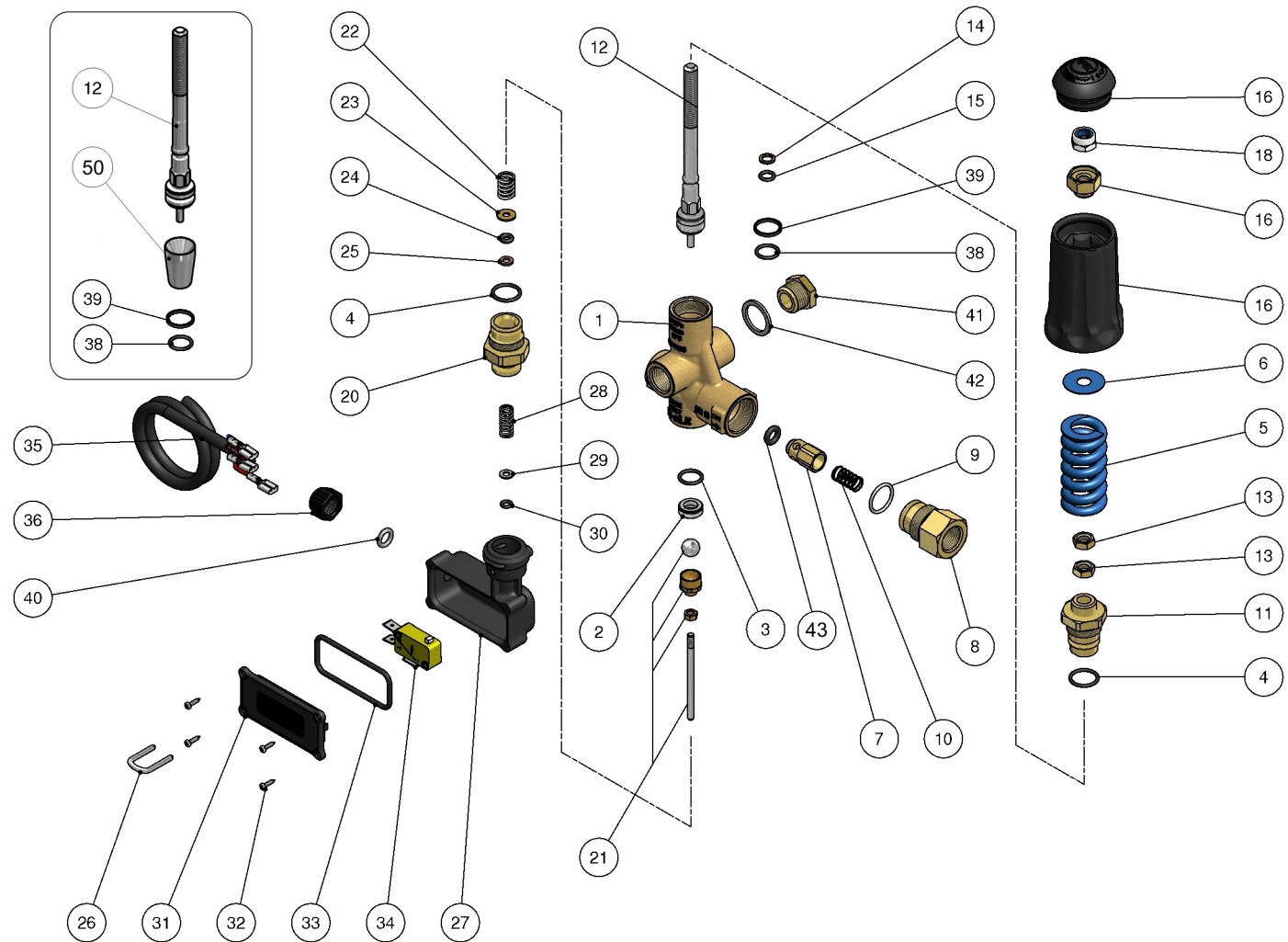
Pos.	P/N	Description	Q.ty	K1	K2	K3	K4		Pos.	P/N	Description	Q.ty	K1	K2	K3	K4	
1	60.0141.35	Housing -Pulsar 4- 3/8 Bsp F brass	1					1	20	10.3109.90	O-ring, 2,4x3,66 mm Vi 70	1	•				10
1	60.0136.35	Housing -Pulsar 4- 3/8 Npt F brass (1)	1					1	21	10.4004.00	Back-up ring, 7,9x4,2x1,2 mm	1	•				10
2	60.0259.20	Seat, 8mm + O-ring, 1,78mm	1	•				10	22	29.0087.51	U-bolt, Sst.	1					10
3	10.3059.01	O-ring, 1,78x11,11 mm Ni 85 **	1					10	23	29.0041.84	Casing, PR16 PA black	1					5
4	10.3064.01	O-ring, 1,78x14 mm Ni 85	2	•				10	24	60.2303.51	Spring, 1,1x8x20 mm Sst.	1					10
5	10.4058.00	Back-up ring, opn. 14x16x2 mm	1	•				10	25	14.3519.53	Washer, 4x8x0,8 mm Sst.	1					10
6	60.0012.61	Spring, 5x25x50 mm white	1					5	26	10.3038.00	O-ring, 1,78x3,68 mm	1	•				10
6	60.0033.61	Spring, 5,7x26x53 mm blue	1					5	27	29.0042.84	Lid, PR16 PA black	1					5
7	60.0052.99	Shutter pin, brass+o-ring 3x6 mm	1					10	28	16.3020.00	S/tapp. screw, 2,5x12mm chrom	4					10
8	60.1811.31	Shutter coupl., 3/8F Bsp brass	1					3	29	10.3210.42	O-ring, 2,62x42,52 mm	1	•				10
8	60.1817.31	3/8Npt F nipple (1)	1					3	30	12.5001.00	Microswitch, 16A 250V	1					10
9	10.3066.01	O-ring, 1,78x15,6 mm Ni 85	1	•				10	31	12.5000.00	Cable, 3x1 L.1200 mm	1					10
10	60.0053.51	Spring, 0,7x9x20 mm Sst.	1					10	32	29.0082.84	Locknut for cable gland, PA black	1					10
11	60.0146.31	Piston holder, brass	1					5	33	60.0011.31	Spring holder ring, brass	1					5
12	60.0145.51	Puls.4 piston, Sst.	1					5	34	11.4574.00	Hex. nut, M8	2					10
13	11.4576.31	Hex. nut, M8, brass	1					10	36	10.3109.92	O-ring, 2,4x7,3 mm	1	•				10
14	10.4006.01	Back-up ring, opn. 6,2x9x1,2 mm	1	•				10	37	60.0028.31	Plug,brass 3/8 Bsp,hex.19	1					25
15	10.3051.01	O-ring, 1,78x6,07 mm	1	•				10	37	60.0025.31	Grub screw, brass 3/8M Npt	1					10
16	60.0159.31	Microswtch coupl. -Pulsar 4	1					3	38	14.4042.00	Washer, 16,7x22x1,5 mm alu.	1					25
17	60.0171.21	Piston + shutter, -Pulsar4+PR16	1	•				3	39	10.3058.01	O-ring, 1,78x10,82 mm	1	•				10
18	60.0015.51	Spring, 1,4x10x16 mm Sst.	1					10	40	10.3213.00	O-ring, 3x6 mm **	1	•				10
19	60.0164.33	Washer, 4,1x10,8x1mm brass	1					10	50	10.4409.00	Seal frame >Pulsar/zero **	1					1

** On request

Kit	P/N	Description	
K1	60.0152.24	Spares kit -Pulsar4+PR16, 14x1pcs.	1
(1)	60.0158.65		

60.0160.60 Pulsar 4 unld.3/8F Bsp+m/sw-31MPa+knob

60.0160.65 Pulsar 4 unld.3/8F Npt+m/sw+knob



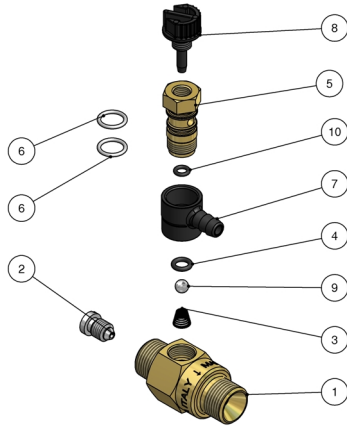
Pos.	P/N	Description	Q.ty	K1	K2	K3	K4	Pos.	P/N	Description	Q.ty	K1	K2	K3	K4
1	60.0141.35	Housing -Pulsar 4- 3/8 Bsp F brass	1				1	23	60.0164.33	Washer, 4,1x10,8x1mm brass	1				10
1	60.0136.35	Housing -Pulsar 4- 3/8 Npt F brass (1)	1				1	24	10.3109.90	O-ring, 2,4x3,66 mm Vi 70	1	.			10
2	60.0259.20	Seat, 8mm + O-ring, 1,78mm	1	.			10	25	10.4004.00	Back-up ring, 7,9x4,2x1,2 mm	1	.			10
3	10.3059.01	O-ring, 1,78x11,11 mm Ni 85 **	1				10	26	29.0087.51	U-bolt, Sst.	1				10
4	10.3064.01	O-ring, 1,78x14 mm Ni 85	2	.			10	27	29.0041.84	Casing, PR16 PA black	1				5
5	60.0012.61	Spring, 5x25x50 mm white	1				5	28	60.2303.51	Spring, 1,1x8x20 mm Sst.	1				10
5	60.0033.61	Spring, 5,7x26x53 mm blue	1				5	29	14.3519.53	Washer, 4x8x0,8 mm Sst.	1				10
6	14.3720.40	Washer, 9,2x24x0,5 mm	1				10	30	10.3038.00	O-ring, 1,78x3,68 mm	1	.			10
7	60.0052.99	Shutter pin, brass+o-ring 3x6 mm	1				10	31	29.0042.84	Lid, PR16 PA black	1				5
8	60.1811.31	Shutter coupl., 3/8F Bsp brass	1				3	32	16.3020.00	S/tapp. screw, 2,5x12mm chrom	1				10
8	60.1817.31	3/8Npt F nipple (1)	1				3	33	10.3210.42	O-ring, 2,62x42,52 mm	1	.			10
9	10.3066.01	O-ring, 1,78x15,6 mm Ni 85	1	.			10	34	12.5001.00	Microswitch, 16A 250V	1				10
10	60.0053.51	Spring, 0,7x9x20 mm Sst.	1				10	35	12.5000.00	Cable, 3x1 L.1200 mm	1				10
11	60.0146.31	Piston holder, brass	1				5	36	29.0082.84	Locknut for cable gland, PA black	1				10
12	60.0145.51	Puls.4 piston, Sst.	1				5	38	10.3058.01	O-ring, 1,78x10,82 mm	1	.			10
13	11.4573.31	Hex. nut, M8, brass	2				10	39	10.4058.00	Back-up ring, opn. 14x16x2 mm	1	.			10
14	10.4006.01	Back-up ring, opn. 6,2x9x1,2 mm	1	.			10	40	10.3109.92	O-ring, 2,4x7,3 mm	2	.			10
15	10.3051.01	O-ring, 1,78x6,07 mm	1	.			10	41	60.0028.31	Plug,brass 3/8 Bsp,hex.19	1				25
16	60.0148.24	Knob + Plug -Pulsar4	1				5	41	60.0025.31	Grub screw, brass 3/8M Npt (1)	1				10
18	11.4589.10	Hex. locknut, M8	1				10	42	14.4042.00	Washer, 16,7x22x1,5 mm alu.	1				25
20	60.0159.31	Microswtch coupl. -Pulsar 4	1				3	43	10.3213.00	O-ring, 3x6 mm **	1	.			10
21	60.0171.21	Piston + shutter, -Pulsar4+PR16	1	.			3	50	10.4409.00	Seal frame >Pulsar/zero **	1				1
22	60.0015.51	Spring, 1,4x10x16 mm Sst.	1				10								

** On request

Kit	P/N	Description	Q.ty
K1	60.0152.24	Spares kit -Pulsar4+PR16, 14x1pcs.	1

(1) 60.0160.65

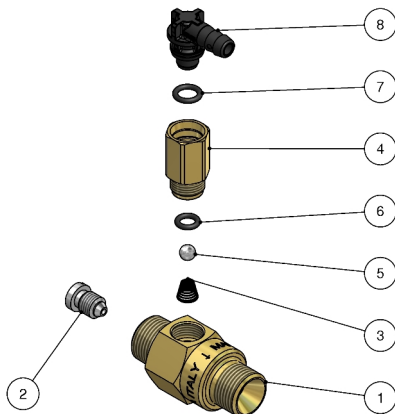
21.0130.21 Injector,adj.3/8MM Bst-p-hb sw. 2,1mm nzl



Pos.	P/N	Description	Q.ty	K1	K2	K3	K4	
1	21.0081.31	Inject.housing, 3/8MM Bst-p brass	1					3
2	21.0007.51	Nozzle, M8x1 - 1,5 mm Sst.	1					10
2	21.0002.51	Nozzle, M8x1 - 1,8 mm Sst.	1					10
2	21.0004.51	Nozzle, M8x1 - 2,1 mm Sst. (1)	1					10
2	21.0157.51	Nozzle, M8x1 - 2,3 mm Sst.	1					10
3	21.0160.51	Tapered spring, Sst. -inject.	1					10
4	10.3049.00	O-ring, 1,78x5,28 mm Vi 70	1					10
5	21.0133.31	Coupling, M12x1-M8 brass	1					3
6	10.3019.10	O-ring, 1,5x9,5 mm Vi 70	2					10
7	21.0132.84	Swivel.hose barb, d.8 mm	1					1
8	21.0131.84	Inject.knob, M8 black	1					1
9	14.7420.01	Ball, 7/32" Sst. Aisi 316	1					10
10	10.3016.10	O-ring, 1,5x4,0 mm Vi 70	1					10

(1) 21.0130.21

21.0080.21 Inject.fix.3/8MM Bst-p hb.sw. 2,1mm nzl



Pos.	P/N	Description	Q.ty	K1	K2	K3	K4	
1	21.0081.31	Inject.housing, 3/8MM Bst-p brass	1					3
2	21.0007.51	Nozzle, M8x1 - 1,5 mm Sst.	1					10
2	21.0002.51	Nozzle, M8x1 - 1,8 mm Sst.	1					10
2	21.0004.51	Nozzle, M8x1 - 2,1 mm Sst.	1					10
2	21.0157.51	Nozzle, M8x1 - 2,3 mm Sst.	1					10
3	21.0160.51	Tapered spring, Sst. -inject.	1					10
4	21.0082.31	Coupling, M12x1- brass	1					3
5	14.7420.01	Ball, 7/32" Sst. Aisi 316	1					10
6	10.3049.00	O-ring, 1,78x5,28 mm Vi 70	1					10
7	10.3052.10	O-ring, 1,78x6,76 mm vi	1					25
8	21.0083.84	Swivel.hose barb, d.8 mm	2					1

30.1530.00 RL36 spr.gun 3/8F-1/4F Bsp

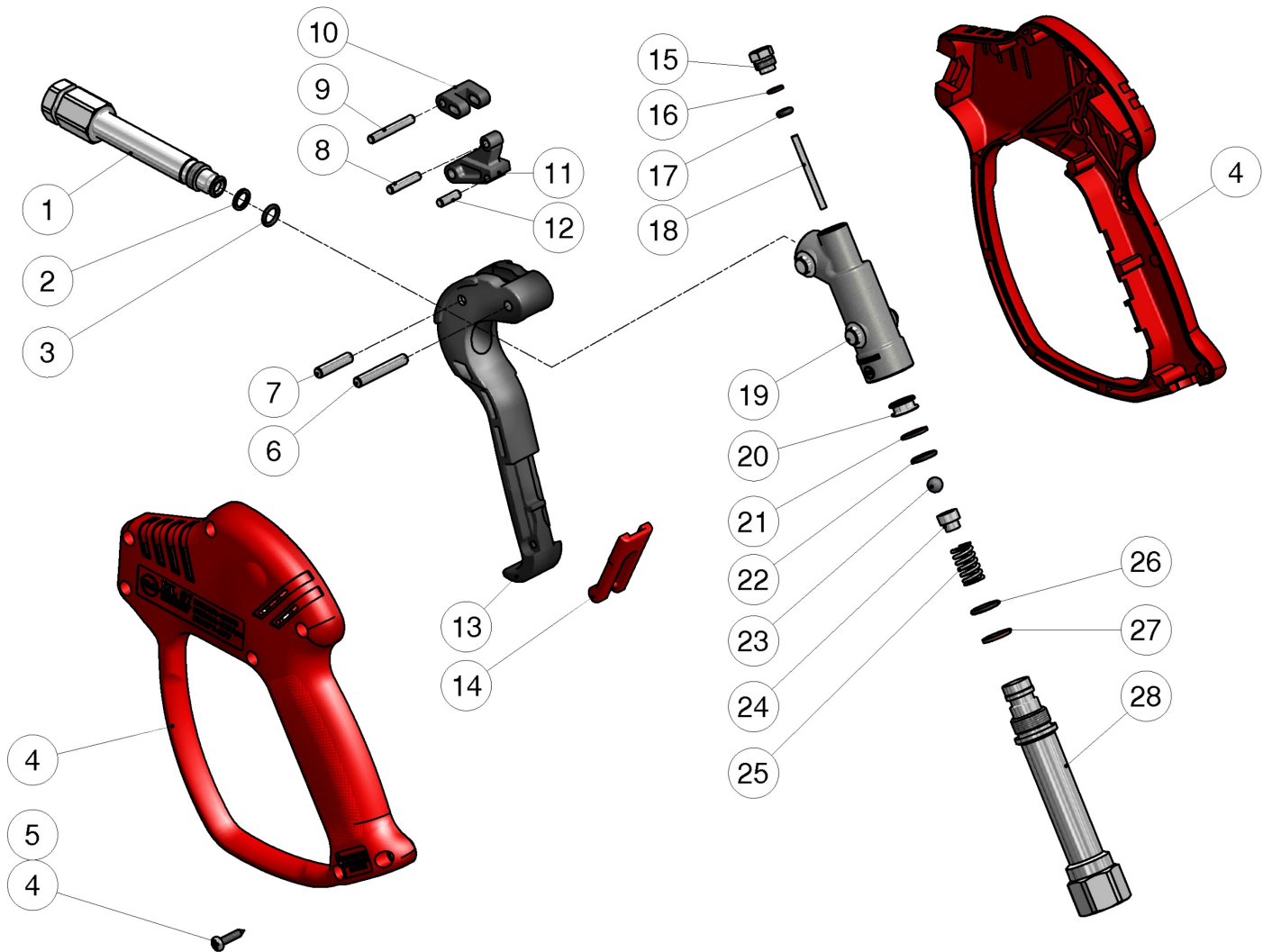


Pos.	P/N	Description	Q.ty	K1	K2	K3	K4	
1	30.2006.35	Front tube, 1/4F Bsp 72 mm brass	1					5
2	30.0675.84	Stop pin, 8x7,1mm PA	1					10
3	30.1205.35	Housing -RL37, brass	1					5
4	30.2517.31	Parallel pin, 5x27,5 mm brass	1					10
5	30.1534.24	Casing-kit -RL36 +screws	1					1
6	16.3077.00	S/tapping screw, DIN7981 3,5x18 mm	7					10
7	30.1204.84	Trigger -RL37, PA black	1					10
8	30.1510.84	Safety latch, PA red	1					10
9	30.1206.31	Coupl., 1/4F-3/8F Bsp brass	1					5
10	30.1203.66	Tube, 1/4Bsp MM 140 mm z.pl.	1					5
11	10.4018.00	Back-up ring, 3,2x7,5x1,2 mm	1	•				10
12	10.3165.00	O-ring, 2,62x2,84 mm Vi 70	1	•				10
13	14.3511.00	Washer, 3,2x7x0,5 mm sst.	1	•				10
14	30.0704.51	Piston, 3-4 mm Sst.	1	•				10
15	14.7448.00	Ball, 5/16" Sst.	1	•				10
16	30.2596.51	Spring, 1,5x6,1x23 mm Sst.	1					10
17	10.3020.02	O-ring, 1,5x10 mm Ni 85	1	•				10
18	30.2595.31	Spring plug, M16x1 brass	1					10
19	30.1708.20	Seat, 6mm Sst.+O-ring 1,78mm NBR85	1	•				10

Kit	P/N	Description	
K1	30.1209.24	Repair kit -RL37, 8x1pcs.	1

30.4700.00 RL57 spr.gun,sst 3/8F-1/4F Bsp

30.4700.50 RL57 spr.gun,sst 3/8F-1/4F Npt



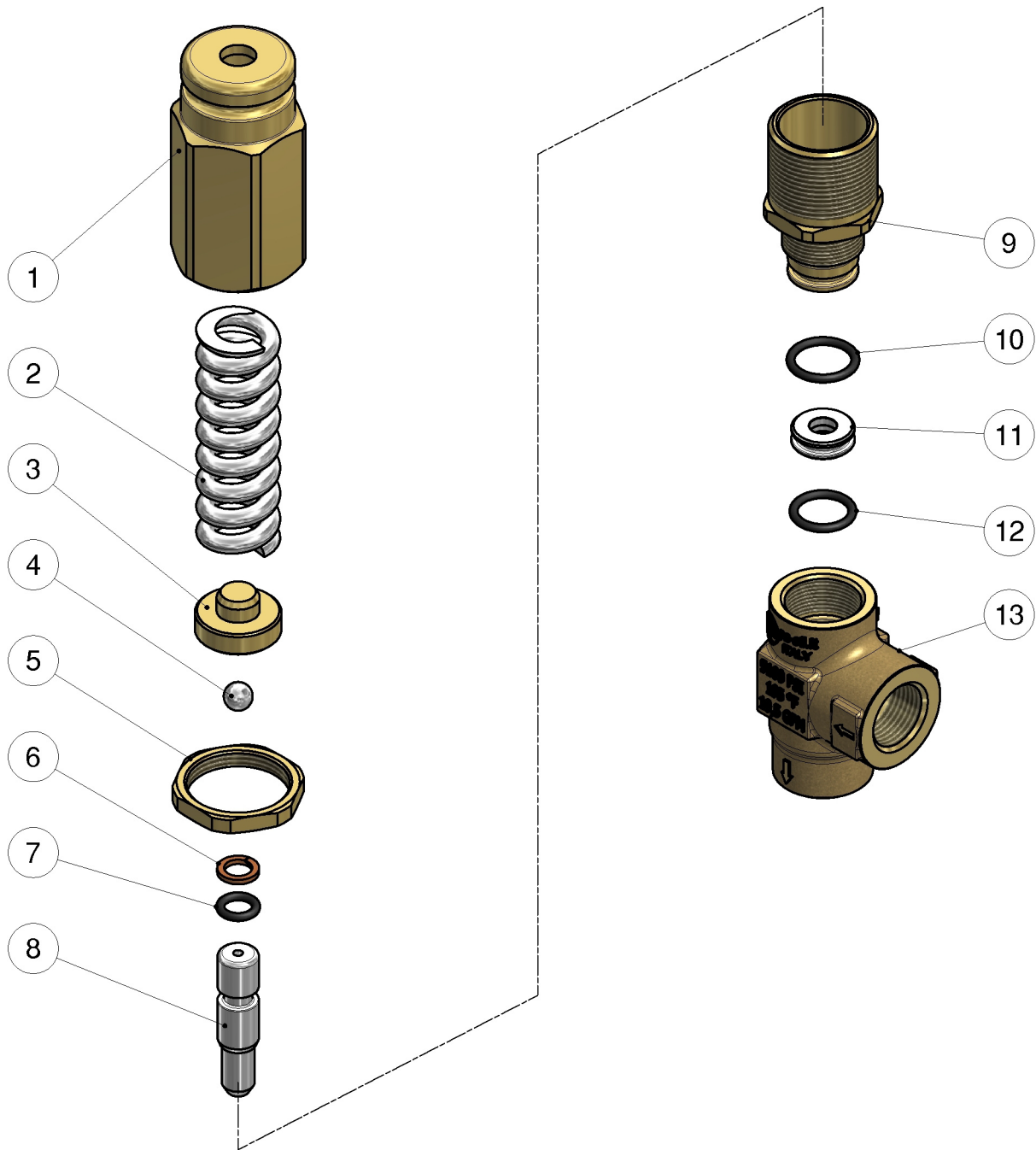
Pos.	P/N	Description	Q.ty	K1	K2	K3	K4	
1	30.4703.51	Sst. front tube, 1/4F Bsp (1)	1					2
1	30.4712.51	Sst. front tube, 1/4F Npt (2)	1					2
2	10.4026.00	Back-up ring, 7,7 x 10,5x1,2 mm	1	•				25
3	10.3055.10	O-ring, 1,78x7,66 mm Vi 70	1	•				10
4	30.4711.24	Casing-kit -RL57 +sst. screws	1					1
5	16.3075.51	S/tapping screw, DIN7981 3,5x18 mm Sst.	7					10
6	30.4114.51	Parallel pin, 5x33 mm Sst.	1					10
7	30.4121.51	Parallel pin, 5x22 mm Sst.	1					10
8	30.4112.51	Parallel pin, 4x20 mm Sst.	1					10
9	30.4113.51	Parallel pin, 4x29 mm Sst.	1					10
10	30.4104.84	Connecting rod , PA black	1					10
11	30.4124.84	Connecting rod -RL51/56, PA black	1					10
12	30.4122.51	Parallel pin, 4x13 mm Sst.	1					10
13	30.4127.84	Trigger -RL51/56, PA black	1					10
14	30.1510.84	Safety latch, PA red	1					10

Pos.	P/N	Description	Q.ty	K1	K2	K3	K4	
15	30.4707.51	Sst. front Plug, M10x1	1					2
16	10.4018.00	Back-up ring, 3,2x7,5x1,2 mm	1	•				10
17	10.3165.00	O-ring, 2,62x2,84 mm Vi 70	1	•				10
18	30.4109.51	Piston, 3x37,6 mm Sst.	1	•				10
19	30.4705.55	Sst housing -RL57	1					1
20	30.4708.51	Seat, 4,8mm Sst.	1	•				2
21	10.4027.00	Back-up ring, 10,2x13,0x1,2 mm	1	•				25
22	10.3057.10	O-Ring 1,78 x 9,25 mm Viton	1	•				10
23	14.7430.78	Ball, 9/32" tung.carb.	1	•				2
24	30.4704.51	Sst ball holding piston	1					2
25	30.4108.51	Spring, 1,6x8,8x24 mm Sst.	1					10
26	10.3058.10	O-ring, 1,78x10,82 mm Vi 70	1	•				10
27	10.4090.00	Back-up ring, 11,2x14x1,5 mm	1	•				10
28	30.4706.51	Sst. inlet housing, 3/8F Bsp (1)	1					2
28	30.4709.51	Sst. inlet housing, 3/8F Npt (2)	1					2

Kit	P/N	Description	
K1	30.4713.24	Spar.kit -RL57 11x1pcs.	1

(1) 30.4700.00 (2) 30.4700.50

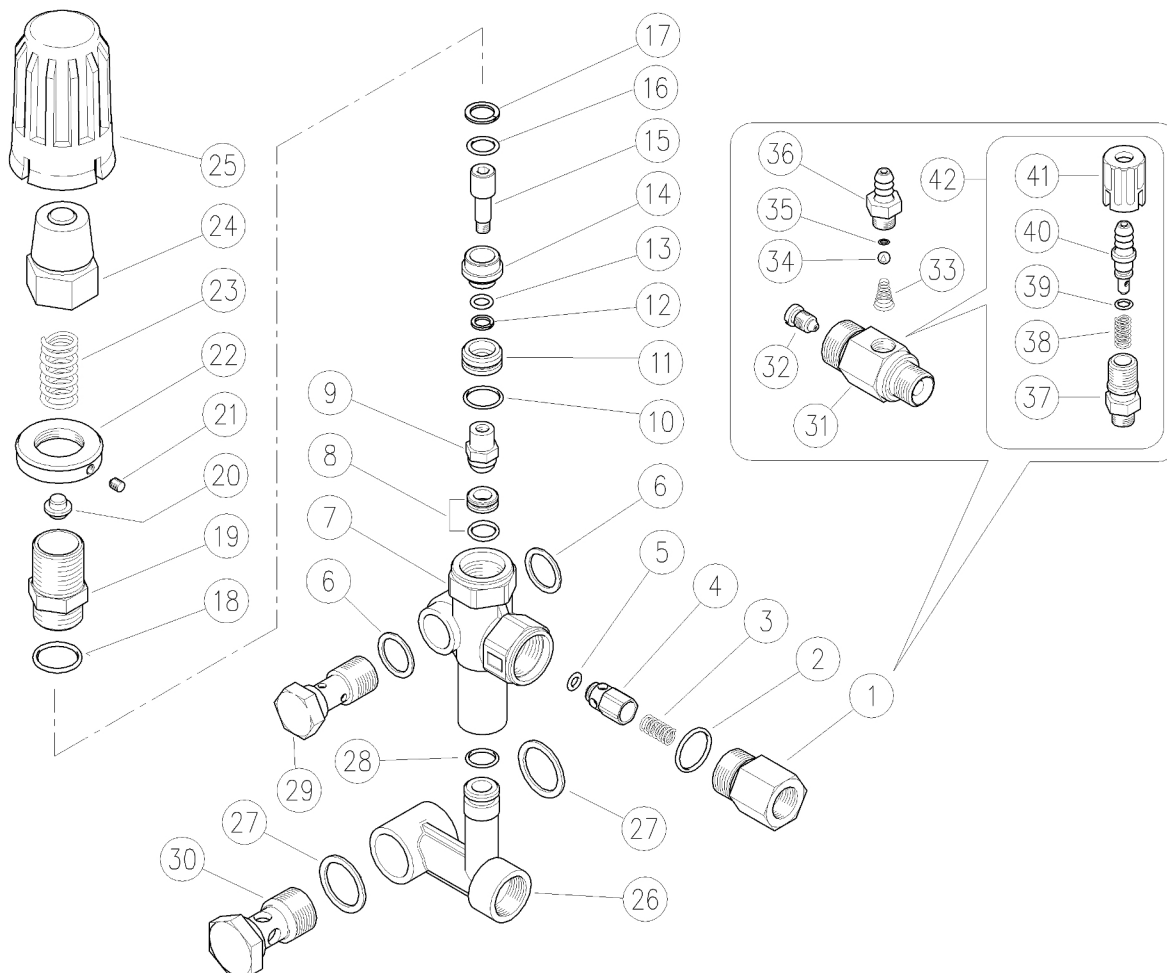
60.0500.00 VS 310 safety valv. 3/8F Bsp -1 inl.port



Pos.	P/N	Description	Q.ty	K1	K2	K3	K4	
1	60.0532.31	Valve regulating knob, M24 brass	1					10
2	60.0584.61	Spring, 4,2x18,4x56 mm z.pl.	1					5
3	60.0583.31	Spring guide spacer, brass	1					5
4	14.7421.50	Ball, 1/4" Sst.	1					10
5	60.0523.31	Ring nut, M24x1,25 brass	1					10
6	10.4003.06	Back-up ring, 6,2x9,2x1,2 mm	1					5
7	10.3051.01	O-ring, 1,78x6,07 mm	1					10

Pos.	P/N	Description	Q.ty	K1	K2	K3	K4	
8	60.0510.51	Vs310 sst. piston	1					2
9	60.0507.31	Spring coupl.	1					2
10	10.3060.01	O-ring, 1,78x12,42 mm Ni 85	1					10
11	30.5516.51	Seat, 6,0x13,9 mm	1					3
12	10.3059.01	O-ring, 1,78x11,11 mm Ni 85	1					10
13	60.0505.35	Housing -VS310, 3/8F Bsp brass	1					2

60.1350.10 VB56 unload. X:19 Y:62-73 3/8F Bsp



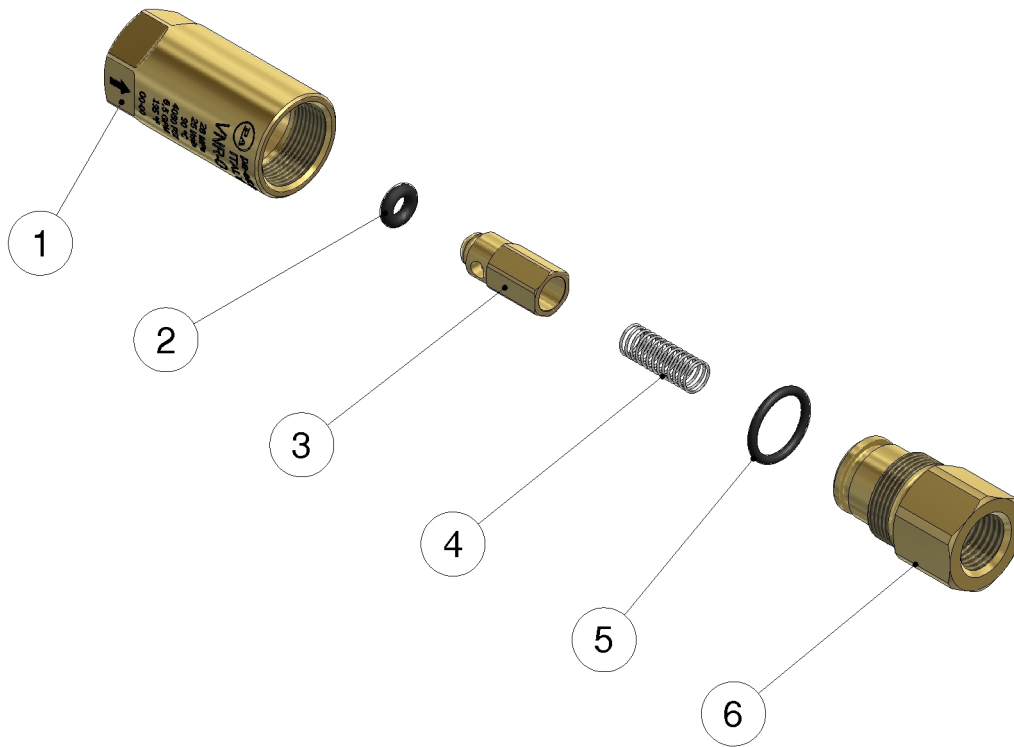
Pos.	P/N	Description	Q.ty	K1	K2	K3	K4	Pos.	P/N	Description	Q.ty	K1	K2	K3	K4
1	60.0058.31	Delivery coupl., 3/8F Bsp brass	1				5	24	60.1304.31	Valve regulating insert, brass	1				5
1	60.0103.31	Delivery coupl., 3/8M Bsp brass	1				5	25	60.1202.84	Valve regulating knob, PA black	1				5
1	60.0103.31	Delivery coupl., 3/8M Bsp brass	1				5	26	60.1352.35	Manifold, 1/2F Bsp brass (x19/y61-73)	1				3
2	10.3070.02	O-ring, 1,78x18,77 mm Ni 85	1	•			10	26	60.1373.35	Manifold, 1/2Bsp FF brass (x26/y66-76)	1				3
3	60.0053.51	Spring, 0,7x9x20 mm Sst.	1				10	26	60.1354.35	Manifold, 1/2F Bsp brass (x4,5/y53,5)	1				3
4	60.0052.99	Shutter pin, brass+o-ring 3x6 mm	1				10	26	60.1354.35	Manifold, 1/2F Bsp brass (x4,5/y53,5)	1				3
5	10.3213.00	O-ring, 3x6 mm	1	•			10	27	14.4101.00	Sealing washer, 1/2 Bsp	2				10
6	14.4100.00	Sealing washer, 3/8 Bsp	2				10	27	14.4101.00	Sealing washer, 1/2 Bsp	1				10
7	60.1351.35	Valve housing -VB55, brass	1				5	27	14.4046.00	Washer, 17x30x1,5 mm Cu	1				5
7	60.1355.35	Compact Housing -VB55, brass	1				5	28	10.3175.10	O-ring, 2,62x10,77 mm Vi 70	1				10
8	60.1306.20	Seat, 8mm+O-ring, 1,78mm NBR85	1	•			10	29	60.1007.31	Pierced crew, 3/8M Bsp 41,5mm brs.	1				10
9	60.1311.21	Shutter pin, M6 brass+ball, 13/32" Sst.	1	•			10	30	60.1008.31	Pierced crew, 1/2M Bsp 41,5mm brs.	1				10
10	10.3064.01	O-ring, 1,78x14 mm Ni 85	1	•			10	30	60.1366.31	Pierced screw, 3/8M Bsp-1/2" 41,5mm brs.	1				10
11	60.1318.31	Spacer ring, x o-ring d.18 mm brass	1				10	31	21.0261.31	Inject.hous.,M22x1,5M-3/8M Bsp brass **	1				3
12	10.4007.00	Back-up ring, opn. 7x10x1,2 mm	1	•			10	32	21.0213.51	Nozzle, M8x1 - 2,1 mm Sst. ***	1				10
13	10.3052.02	O-ring, 1,78x6,75 mm Ni 90	1	•			10	33	21.0160.51	Tapered spring, Sst. -inject.	1				10
14	60.1317.31	Spacer ring, 18,5 mm brass	1				10	34	14.7420.01	Ball, 7/32" Sst. Aisi 316	1				10
15	60.1307.51	Piston, M6 Sst.	1				10	35	10.3049.00	O-ring, 1,78x5,28 mm Vi 70	1				10
16	10.3175.08	O-ring, 2,62x10,77 mm Ni 85	1	•			10	36	21.0003.31	Hose barb, 8 - M12x1 mm brass	1				10
17	10.4017.00	Back-up ring, opn. 15,5x10,9x1,2 mm	1	•			25	37	21.0173.31	Coupling, M12x1-1/4M Bsp brass	1				10
18	10.3068.01	O-ring, 1,78x17,17 mm Ni 85	1	•			10	38	21.0158.51	Spring, 0,8x7x15 mm Sst.	1				10
19	60.1314.31	Piston holder, brass-VB56	1				10	39	10.3043.01	O-ring, 1,78x4,48 mm Vi 70	1				10
20	60.1313.31	Spring guide pin	1				10	40	21.0155.99	Hose barb, d.8 mm brass+o-ring	1				3
21	16.2100.00	Set screw, DIN914 M4x4 mm	1				10	41	21.0171.84	Inject.knob, 1/4F Bsp black	1				10
22	60.1312.31	Ring nut, M20x1 brass	1				10	42	21.0100.00	Regulator+h.barb 8-M12x1mm brs. inject.	1				50
23	60.1315.61	Spring, 3,4x13,8x48 mm z.pl.	1				10								

** On request

*** Different measures available

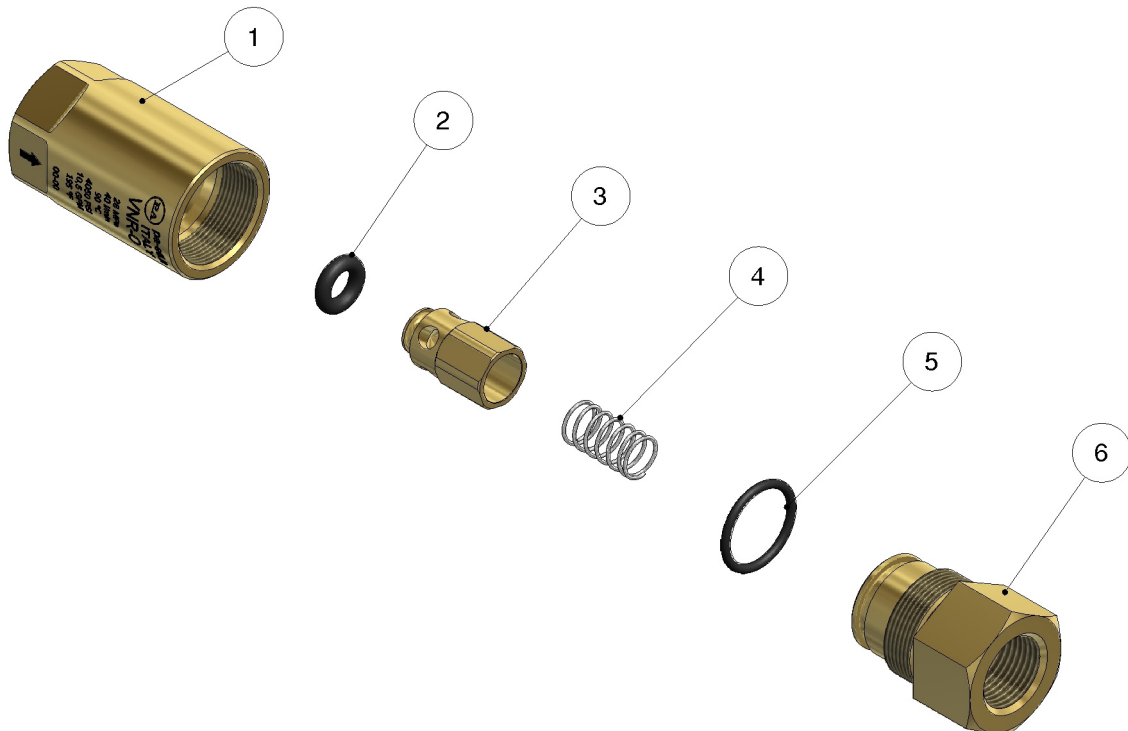
Kit	P/N	Description	Q.ty
K1	60.1321.24	Spares kit -VB5II°-VB56, 10x1pcs.	1


60.2100.00 VNR-OHD check valv. brass 1/4FF Bsp




Pos.	P/N	Description	Q.ty	K1	K2	K3	K4		Pos.	P/N	Description	Q.ty	K1	K2	K3	K4	
1	60.2101.31	Coupling, 1/4 Bsp F x M18x1 F brass	1					3	4	60.0867.51	Spring, 0,5x6,5x22 mm Sst.	1					25
2	10.3125.00	O-ring, 2,5x4 mm	1					10	5	10.3060.01	O-ring, 1,78x12,42 mm Ni 85	1					10
3	60.0859.99	Shutter pin, brass+or 2,5x4 mm N	1					10	6	60.2102.31	Shutter coupl., 1/4F Bsp brass	1					3

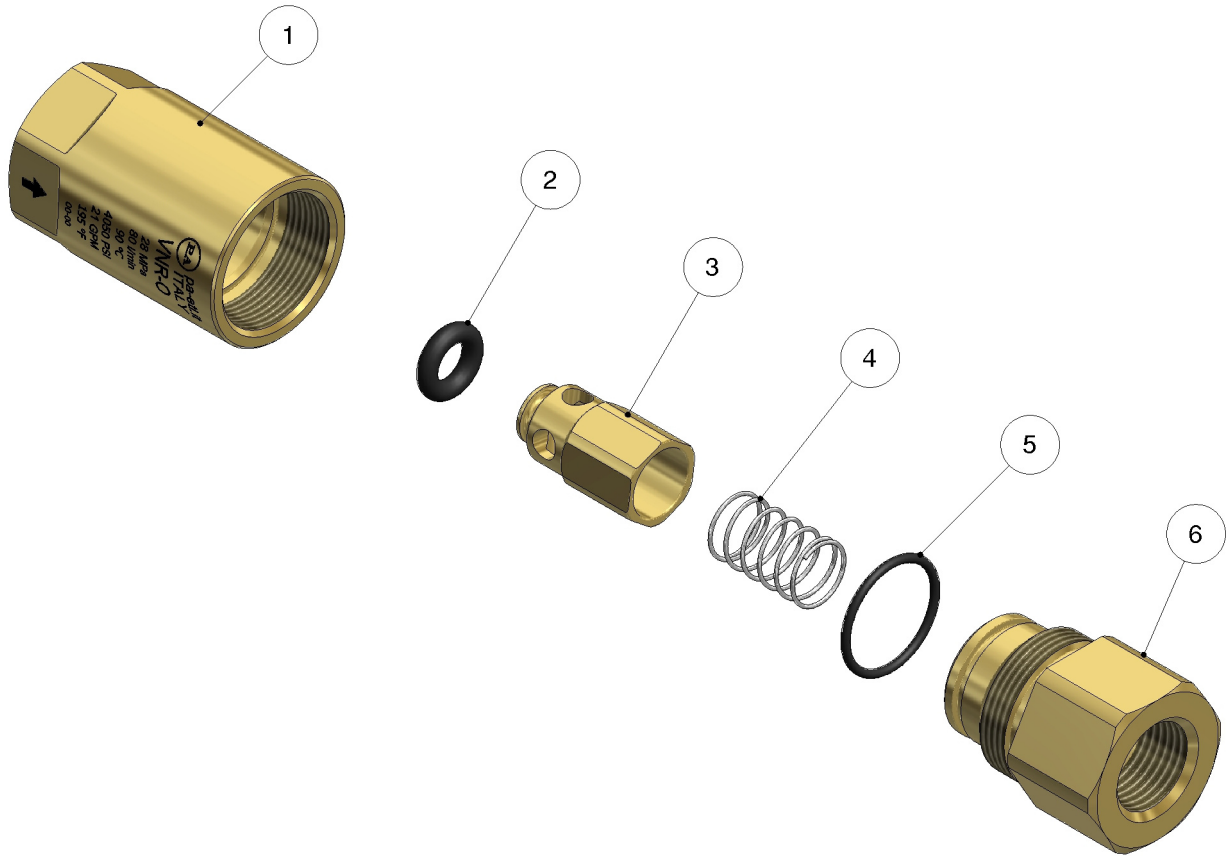
60.2120.00 VNR-OHD check valv. brass 3/8FF Bsp



Pos.	P/N	Description	Q.ty	K1	K2	K3	K4	
1	60.2121.31	Coupling, 3/8 Bsp F x M22x1 F brass	1					3
2	10.3213.00	O-ring, 3x6 mm	1					10
3	60.0052.99	Shutter pin, brass+o-ring 3x6 mm	1					10

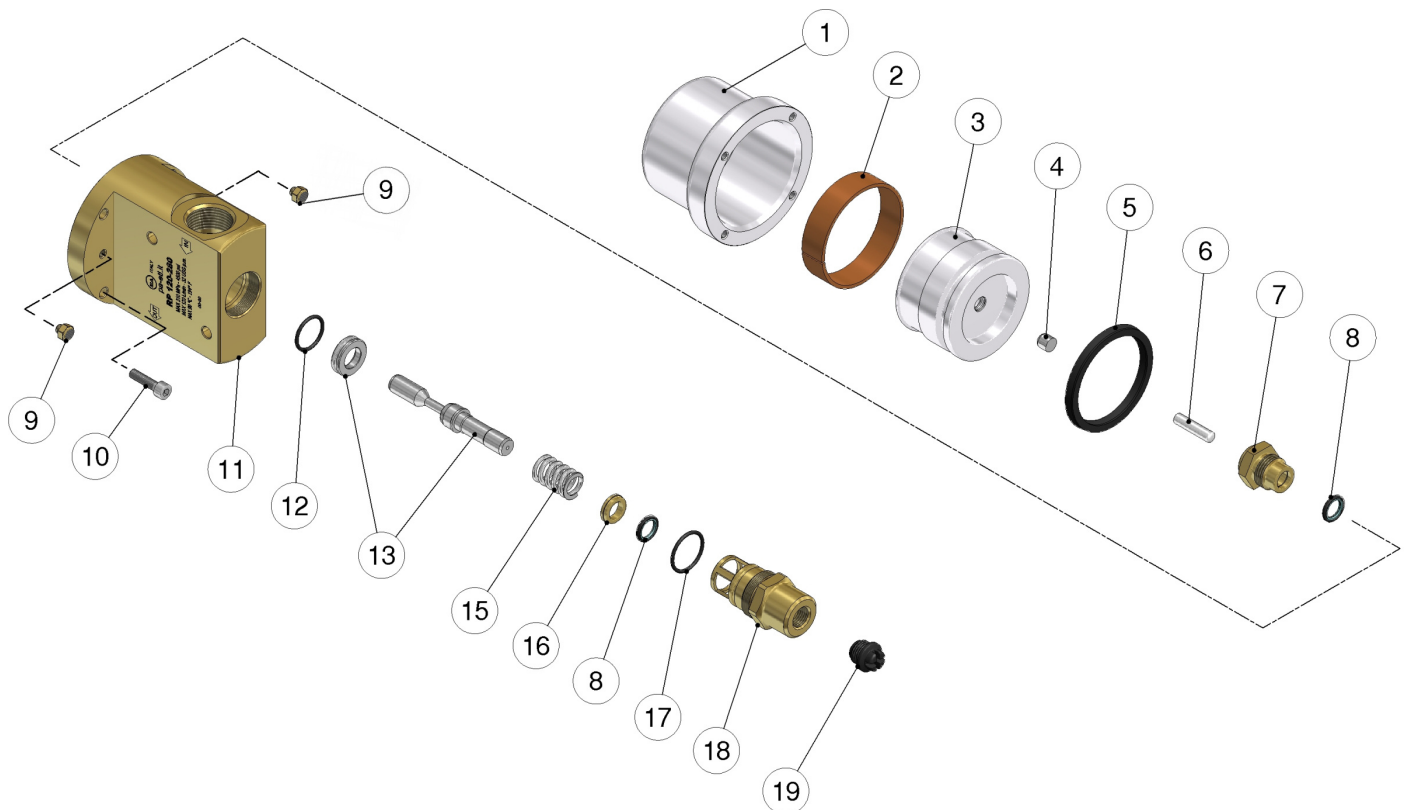
Pos.	P/N	Description	Q.ty	K1	K2	K3	K4	
4	60.0053.51	Spring, 0,7x9x20 mm Sst.	1					10
5	10.3066.01	O-ring, 1,78x15,6 mm Ni 85	1					10
6	60.1811.31	Shutter coupl., 3/8F Bsp brass	1					3



60.2140.00 VNR-OHD check valv. brass 1/2FF Bsp




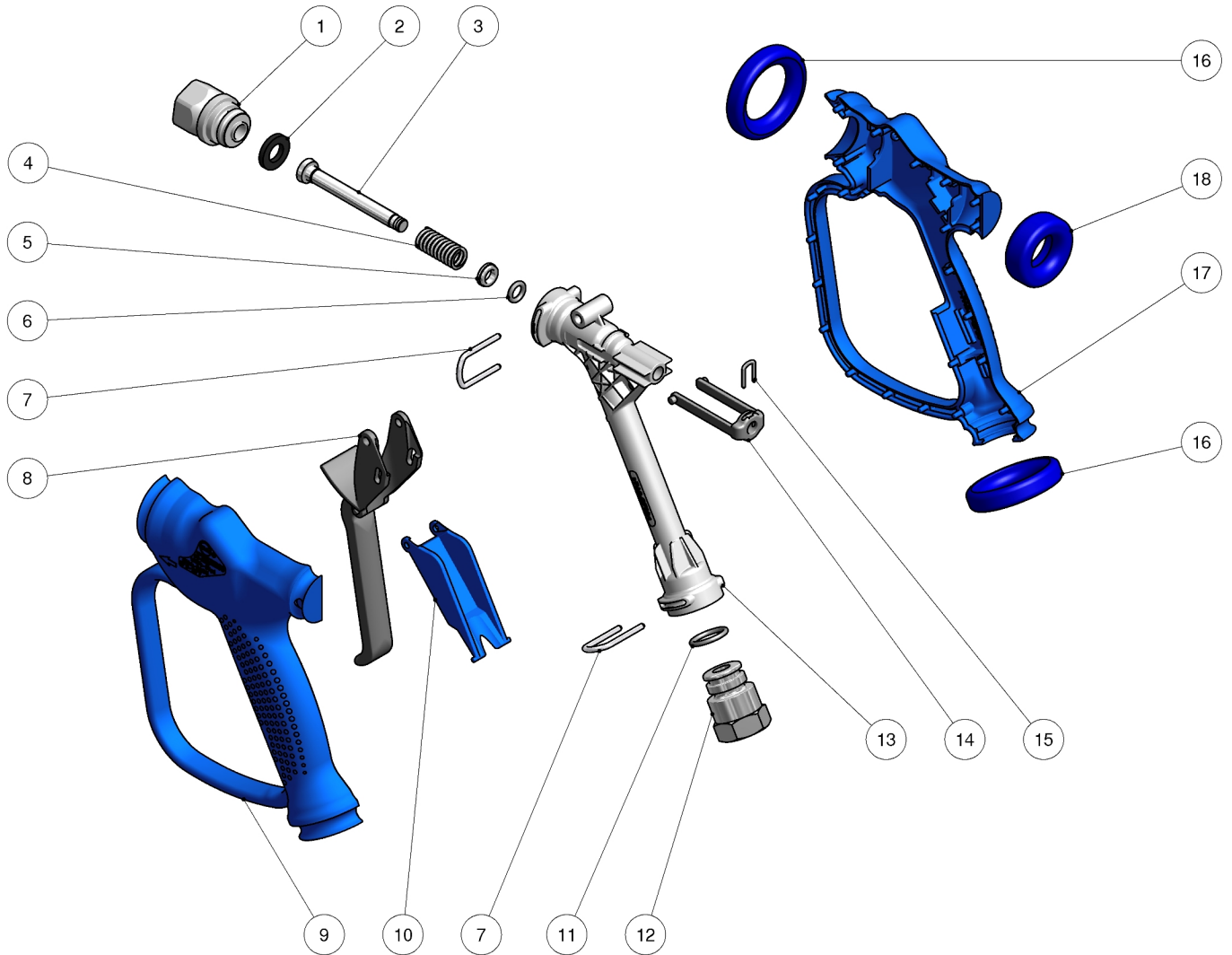
Pos.	P/N	Description	Q.ty	K1	K2	K3	K4	Pos.	P/N	Description	Q.ty	K1	K2	K3	K4
1	60.2141.31	Coupling, 1/2 Bsp F x M30x1,5F brass	1				3	4	60.0489.51	Spring, 0,8x13,3x27 mm Sst.	1				5
2	10.3292.00	O-ring, 4x8 mm	1				10	5	10.3072.60	O-ring, 1,78x21,95 mm Ni 85	1				10
3	60.0488.99	Shutter pin, brass+or 4x8 mm	1				5	6	60.2809.31	Shutter coupl., 1/2F Bsp brass	1				3

30.3230.00 RP120/280 3/4FF Bsp air compr.on-off gun



Pos.	P/N	Description	Q.ty	K1	K2	K3	K4		Pos.	P/N	Description	Q.ty	K1	K2	K3	K4	
1	30.3206.41	Jacket, Al -RP120	1					3	10	16.1873.00	Screw, DIN912 M5x20 mm Sst.	4					10
2	30.3204.85	Bushing, opn. 181x14,8mm PTFE	1					5	11	30.3231.31	Brass hous.-RP120280-3/4"Bsp FF	1					2
3	30.3207.41	Piston, RP120	1					2	12	10.3068.01	O-ring, 1,78x17,17 mm Ni 85	1	•				10
4	30.0675.51	Stop pin, 8x7,1mm Sst.	1					10	13	30.4045.24	Piston+Seat Kit, -RL204	1	•				1
5	10.2060.50	Piston seal, 60x50x5 mm	1					3	15	30.4042.51	Spring, 2,4x15,3x30 mm Sst.	1	•				10
6	30.4041.51	Parallel sst.pin, 6x25,8 mm	1					5	16	30.4040.31	Spacer ring, 10,1x15,8x3,8 mm brass	1					3
7	30.4038.31	Front plug, M18x1,5 brass	1					10	17	10.3072.01	O-ring, 1,78x20,35 mm Ni 85	1	•				10
8	10.2027.00	Stem seal, 10x15x2,2 mm +O-ring	2	•				4	18	30.4037.31	Spring holder, 1/4F Bsp-M26x1M brs.	1					5
9	13.0805.00	Screw M5 brass	2					3	19	30.5815.84	Plug, 1/4M Bsp DIN259 Plast. black	1					10

Kit	P/N	Description	
K1	30.4046.24	Spares kit -RL204, 6x1pcs.	1

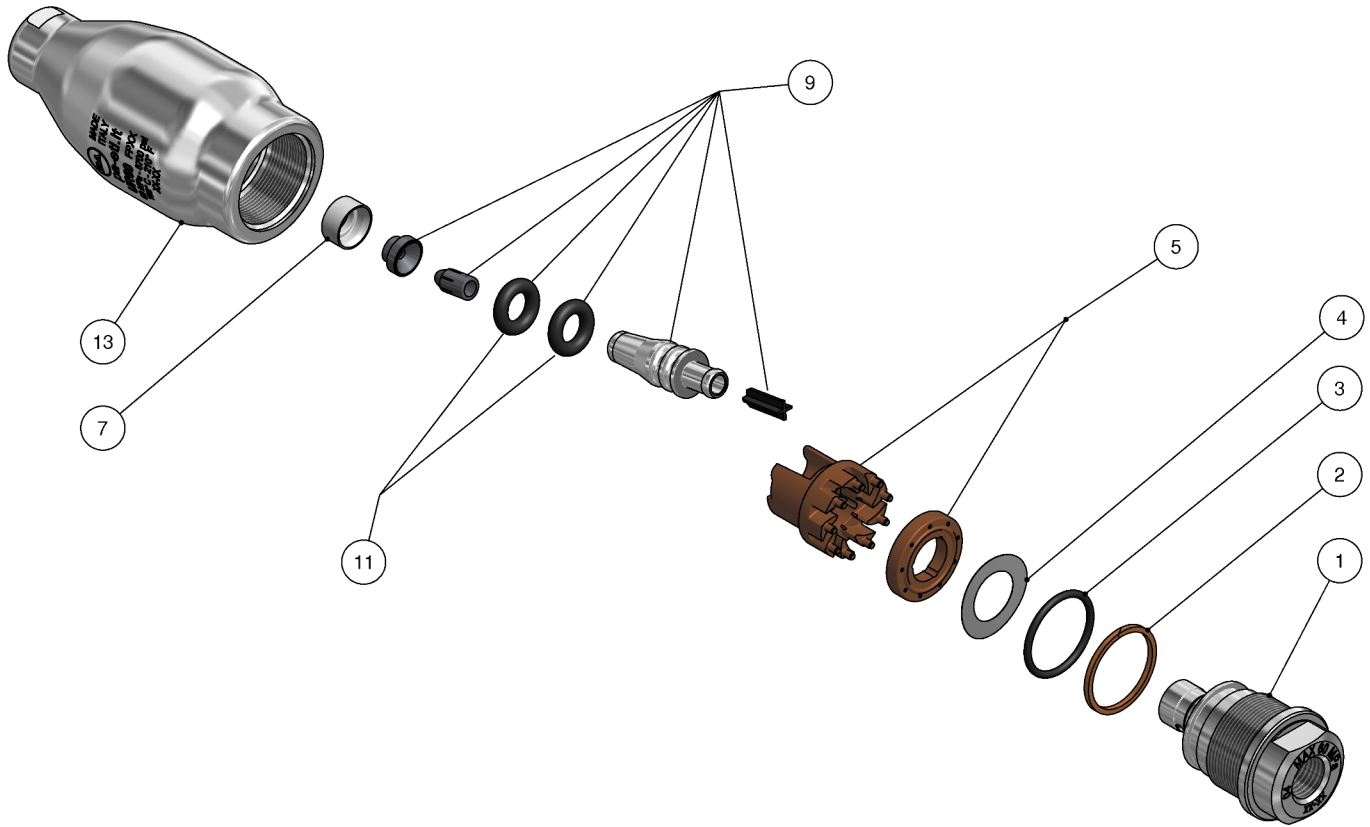


Pos.	P/N	Description	Q.ty	K1	K2	K3	K4		Pos.	P/N	Description	Q.ty	K1	K2	K3	K4	
1	30.6261.84	Front nozzle -RB35, 1/2 Bsp F	1					3	10	30.6213.84	Lid, RB35 PA blue	1					3
1	30.6226.84	Front nozzle -RB35,1/2 Bsp F- PP (1)	1					5	11	10.3181.88	O-Ring, 2,62x17,12 mm Epdm	1					10
2	30.6207.85	Front seal, 11x20,5x3 mm Epdm	1					10	11	10.3181.53	O-ring, 2,62x17,2 mm (1)	1					10
2	30.6408.85	Front seal, 11x20,5x3 mm FKM80 (1)	1					10	12	30.6214.51	Coupl.,-1/2F Bsp aisi303 Sst.	1					3
3	30.6262.51	Piston -RB35, aisi303 Sst.-on-off	1					3	13	30.6252.84	Housing -RB35-80°C	1					3
4	30.6410.60	Spring, 1,8x12,8x40 mm aisi316 Sst.	1					5	13	30.6208.84	Housing -RB35-50°C (1)	1					3
5	30.6209.51	Sst seal piston ring	1					5	14	30.6253.84	Grey connecting rod	1					3
6	10.3170.18	O-ring, 2,62x7,6 mm Epdm	1					10	14	30.6210.84	Connecting rod, blue (1)	1					3
6	10.3170.10	O-ring, 2,62x7,6 mm Vi 70 (1)	1					10	15	12.0050.27	U-bolt, Sst. d.2mm	1					10
7	30.6206.51	U-bolt, Sst. d.3mm	2					10	16	30.6203.85	Front guard ring, blue	2					5
8	30.6254.84	Trigger -RB35, PA grey	1					3	17	30.6201.84	Lower handle-RB35 blue	1					3
8	30.6212.84	Trigger -RB35, PA blue (1)	1					3	17	30.6201.84	Lower handle-RB35 blue (1)	1					3
9	30.6251.84	Upper handle-RB35 blue-80°C	1					3	18	30.6204.85	Back guard ring, blue	1					5
9	30.6202.84	Upper handle-RB35 blue-50°C (1)	1					3									

(1) 30.6225.00

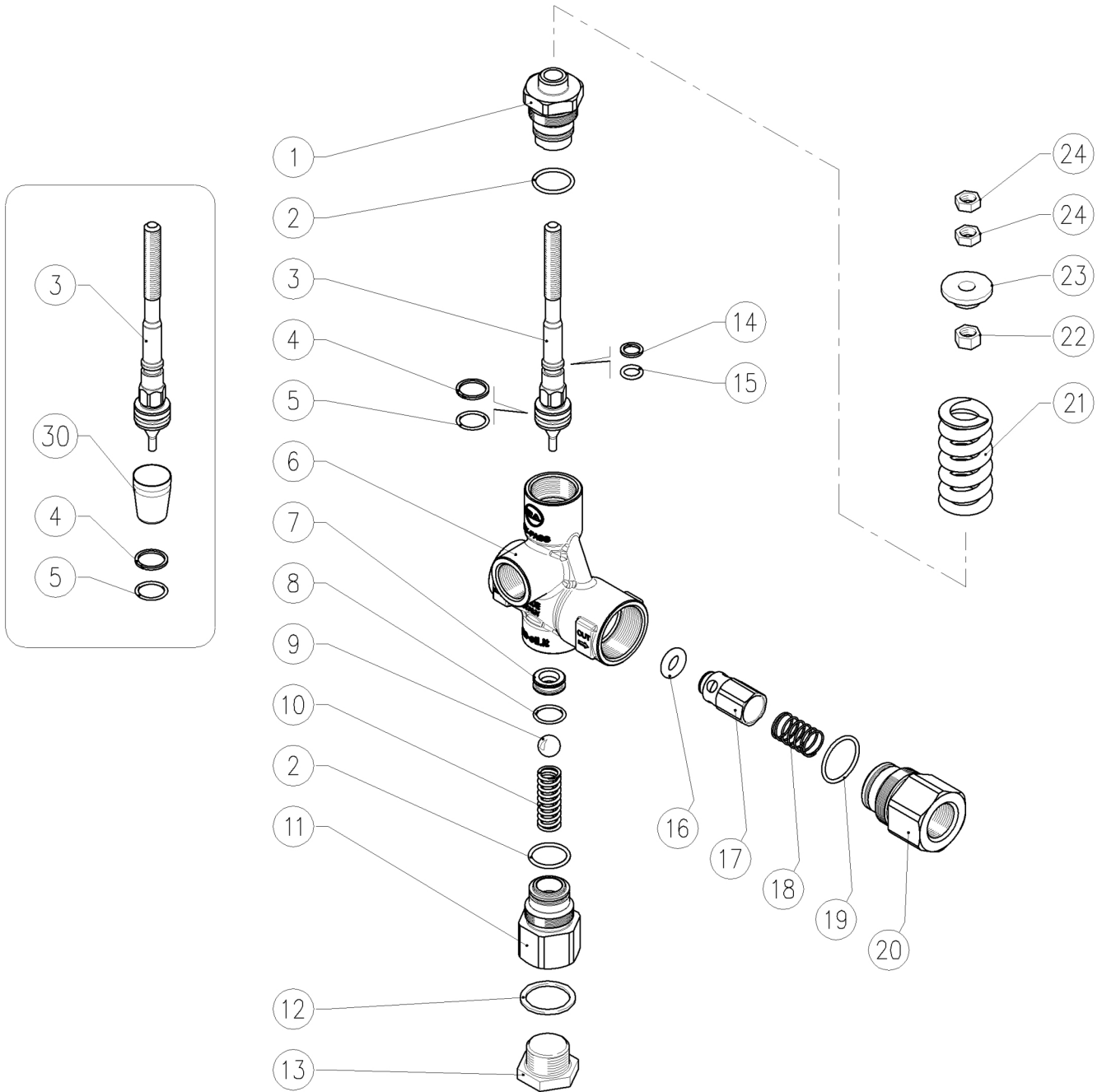
25.1460.20 UR60-02 Sst. rotat.nzl,60MPa
 25.1460.30 UR60-03 Sst. rotat.nzl,60MPa
 25.1460.40 UR60-04 Sst. rotat.nzl,60MPa
 25.1460.50 UR60-05 Sst. rotat.nzl,60MPa

25.1460.60 UR60-06 Sst. rotat.nzl,60MPa
 25.1460.70 UR60-07 Sst. rotat.nzl,60MPa
 25.1460.80 UR60-08 Sst. rotat.nzl,60MPa



Pos.	P/N	Description	Q.ty	K1	K2	K3	K4		Pos.	P/N	Description	Q.ty	K1	K2	K3	K4	
1	25.1482.51	Sst coupling, 1/4 F Bsp-FP.02 (1)	1					1	7	25.1462.85	Seal, 7,2x12x6 mm Pa6	1					3
1	25.1483.51	Sst coupling, 1/4 F Bsp-FP.03 (2)	1					2	9	25.1452.24	Spares kit -UR60.020 (1)	1					1
1	25.1484.51	Sst coupling, 1/4 F Bsp-FP.04 (3)	1					2	9	25.1453.24	Spares kit -UR60.030 (2)	1					1
1	25.1485.51	Sst coupling, 1/4 F Bsp-FP.05 (4)	1					1	9	25.1454.24	Spares kit -UR60.040 (3)	1					1
1	25.1486.51	Sst coupling, 1/4 F Bsp-FP.06 (5)	1					1	9	25.1455.24	Spares kit -UR60.050 (4)	1					1
1	25.1487.51	Sst coupling, 1/4 F Bsp-FP.07 (6)	1					1	9	25.1456.24	Spares kit -UR60.060 (5)	1					1
1	25.1488.51	Sst coupling, 1/4 F Bsp-FP.08 (7)	1					1	9	25.1457.24	Spares kit -UR60.070 (6)	1					1
2	10.4091.00	Back-up ring, 21,2x24x1,5 mm	1					5	9	25.1458.24	Spares kit -UR60.080 (7)	1					1
3	10.3072.01	O-ring, 1,78x20,35 mm Ni 85	1					10	11	10.3230.01	O-ring, 3,53x7,52 mm Ni 85	2					10
4	25.1626.63	Washer, 14,8x23x0,1mm Sst.	1					5	13	25.1461.51	Sst housing -UR60	1					1
5	25.1631.22	Turbine	1					3									

(1) 25.1460.20 (2) 25.1460.30 (3) 25.1460.40 (4) 25.1460.50 (5) 25.1460.60 (6) 25.1460.70 (7) 25.1460.80



Pos.	P/N	Description	Q.ty	K1	K2	K3	K4	Pos.	P/N	Description	Q.ty	K1	K2	K3	K4
1	60.0491.31	Piston holder, brass	1				3	14	10.4008.00	Back-up ring, opn. 8x11x1,2 mm	1	•			10
2	10.3068.00	O-ring, 1,78x17,17 mm	2	•			10	15	10.3055.00	O-ring, 1,78x7,66 mm	1	•			10
3	60.0424.23	Valve piston, Sst.-VB85R	1				1	16	10.3292.00	O-ring, 4x8 mm	1	•			10
4	10.3178.00	O-ring, 2,62x13,1 mm	1	•			10	17	60.0488.99	Shutter pin, brass+or 4x8 mm	1				5
5	10.4014.00	Back-up ring, opn. 18x13,5x1,2 mm	1	•			10	18	60.0489.51	Spring, 0,8x13,3x27 mm Sst.	1				5
6	60.0486.35	Housing -VB85, 1/2F Bsp brass	1				3	19	10.3072.60	O-ring, 1,78x21,95 mm Ni 85	1	•			10
7	60.2803.51	Sst seat, 10 mm	1	•			5	20	60.2809.31	Shutter coupl., 1/2F Bsp brass	1				3
8	10.3064.01	O-ring, 1,78x14 mm Ni 85	1	•			10	21	60.0012.61	Spring, 5x25x50 mm white (1)	1				5
9	14.7465.00	Ball, 1/2" Sst.	1	•			5	21	60.0033.61	Spring, 5,7x26x53 mm blue (2)	1				5
10	30.5304.51	Spring, 2x29x9,9 mm Sst.	1				5	22	11.4576.31	Hex. nut, M8, brass	1				10
11	60.0441.31	Suction coupl., 1/2F Bsp brass	1				3	23	60.0011.31	Spring holder ring, brass	1				5
12	14.4290.00	Washer, 22x27x1,5 mm alu.	1				10	24	11.4574.00	Hex. nut, M8	2				10
13	60.0413.31	Plug,brass 1/2 Bsp, hex.27	1				10	30	10.4407.00	Seal frame >VB60-80 zero **	1				1

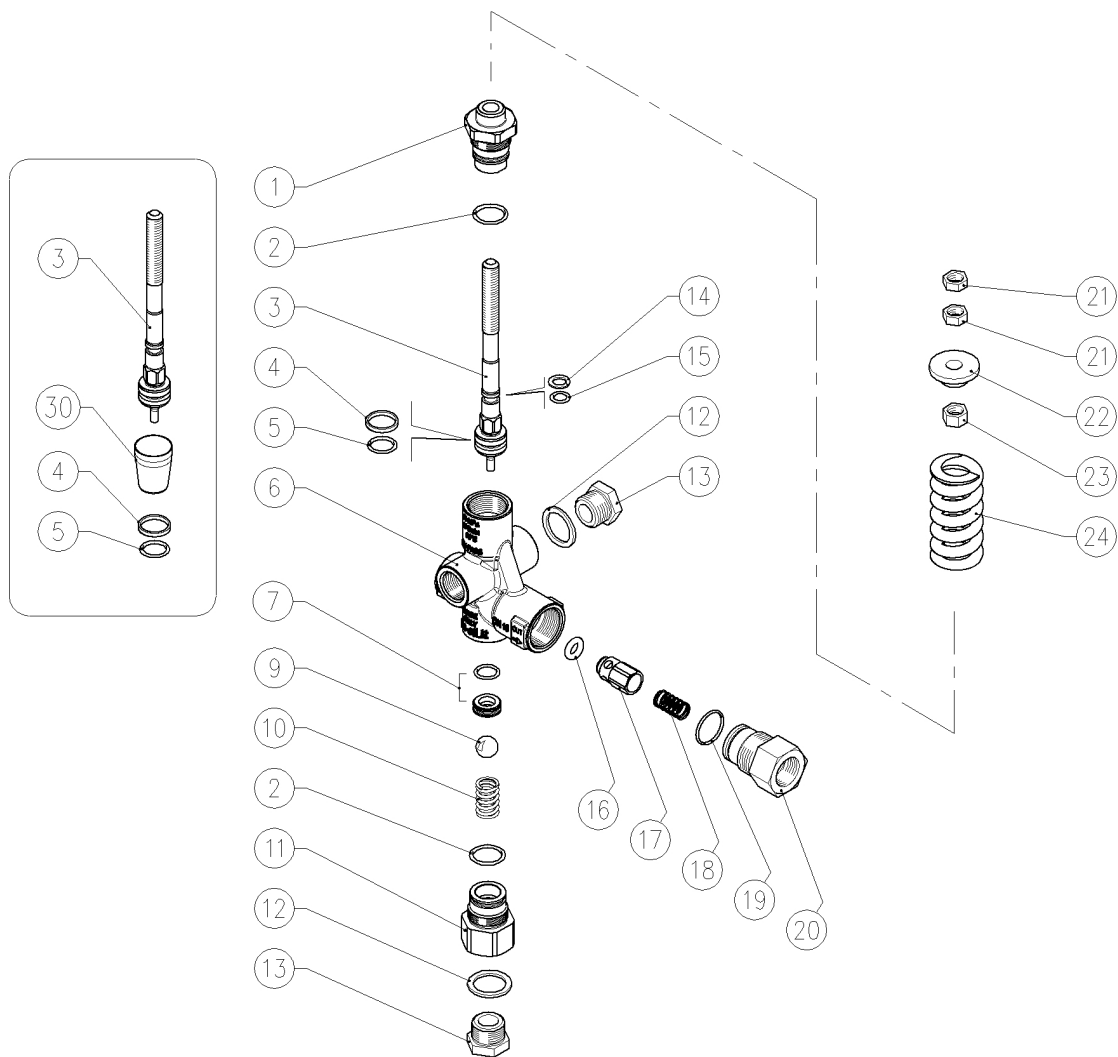
** On request

Kit	P/N	Description	Q.ty
K1	60.0468.24	Spares kit -VB85R, 10x1pcs.	1

(1) 60.0423.00 (2) 60.0423.60

60.0018.60 Pulsar R unld.3/8F Bsp+1/4 prt-31MPa
 60.0020.60 Pulsar R- unload. 3/8F Bsp-31MPa

60.0020.65 Pulsar R unload. 3/8F Npt -31MPa
 60.0020.70 Pulsar R unload. 3/8F Bsp-stt.cv.31MPa



Pos.	P/N	Description	Q.ty	K1	K2	K3	K4	Pos.	P/N	Description	Q.ty	K1	K2	K3	K4
1	60.0146.31	Piston holder, brass	1				5	13	60.0025.31	Grub screw, brass 3/8M Npt (1)	2				10
2	10.3064.01	O-ring, 1,78x14 mm Ni 85	2	•			10	14	10.4006.01	Back-up ring, opn. 6,2x9x1,2 mm	1	•			10
3	60.0021.51	Puls.R piston, Sst.	1				1	15	10.3051.01	O-ring, 1,78x6,07 mm	1	•			10
4	10.3175.00	O-ring, 2,62x10,77 mm	1	•			10	16	10.3213.00	O-ring, 3x6 mm	1	•			10
5	10.4021.00	Back-up ring, opn. 11,5x15,9x1,2 mm	1	•			10	17	60.0052.99	Shutter pin, brass+o-ring 3x6 mm	1				10
6	60.0141.35	Housing -Pulsar 4- 3/8 Bsp F brass	1				1	17	60.9052.93	Shutter pin, Sst.+or 3x6 mm N90 (4)	1				10
6	60.0136.35	Housing -Pulsar 4- 3/8 Npt F brass (1)	1				1	18	60.0053.51	Spring, 0,7x9x20 mm Sst.	1				10
6	60.0172.35	Brass housing -Pulsar -3/8+1/4 Bsp F (2)	1				1	19	10.3066.01	O-ring, 1,78x15,6 mm Ni 85	1	•			10
7	60.0259.20	Seat, 8mm + O-ring, 1,78mm (1)	1	•			10	20	60.1811.31	Shutter coupl., 3/8F Bsp brass	1				3
9	14.7461.00	Ball, 13/32" Sst.	1	•			10	20	60.1817.31	3/8Npt F nipple (1)	1				3
10	60.0410.51	Spring, 1,6x11,5x20 mm Sst.	1				5	21	11.4574.00	Hex. nut, M8	2				10
11	60.0142.31	Suction coupl., 3/8F Bsp brass	1				10	22	60.0011.31	Spring holder ring, brass	1				5
11	60.0137.31	Suction coupl., 3/8F Npt brass (1)	1				10	23	11.4576.31	Hex. nut, M8, brass	1				10
12	14.4042.00	Washer, 16,7x22x1,5 mm alu. (3,4)	2				25	24	60.0033.61	Spring, 5,7x26x53 mm blue	1				5
13	60.0028.31	Plug,brass 3/8 Bsp,hex.19	2				25	30	10.4409.00	Seal frame >Pulsar/zero **	1				1

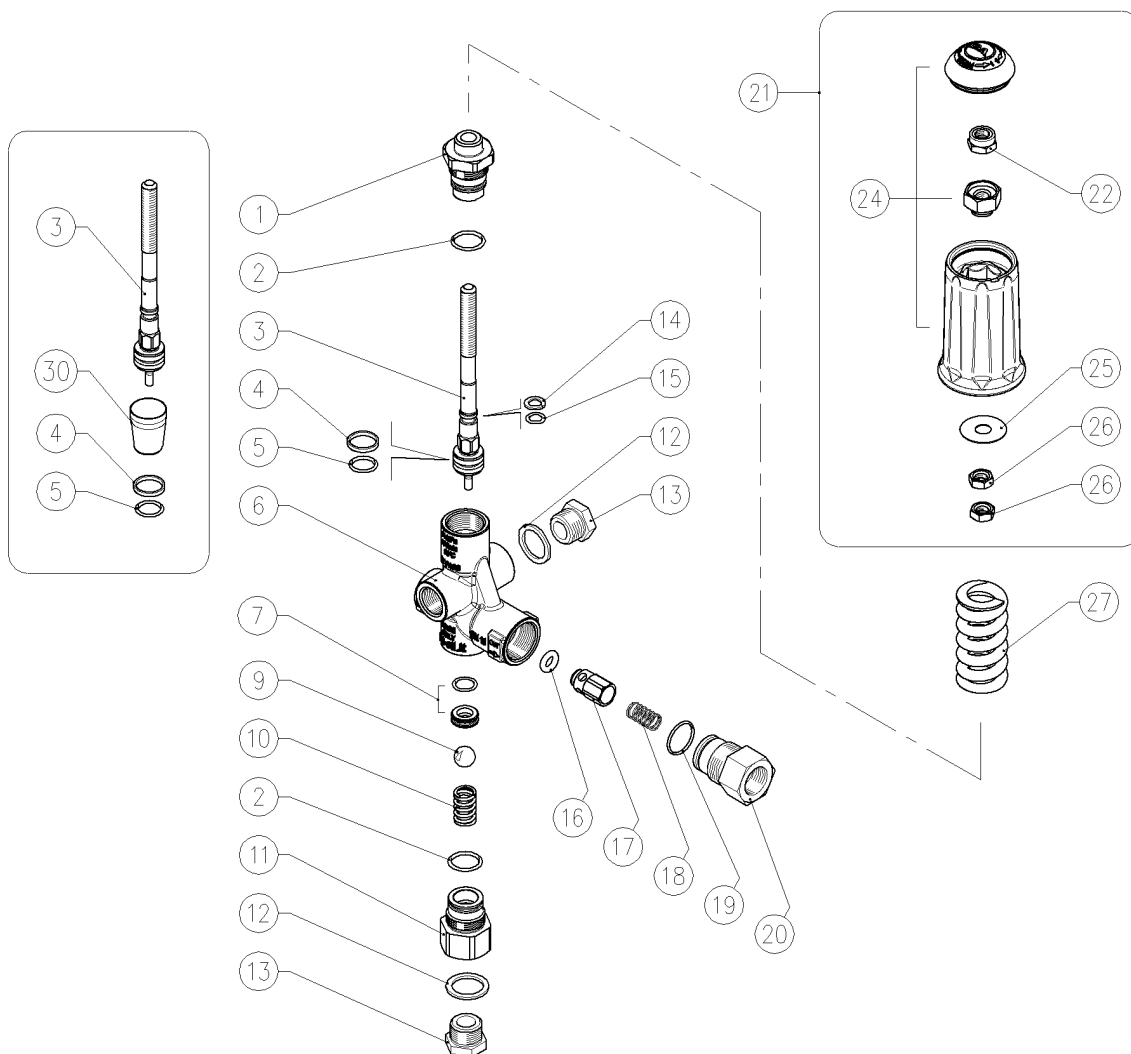
** On request

Kit	P/N	Description	Q.ty
K1	60.0009.24	Spares kit -Pulsar R, 9(10)x1pcs.	1

(1) 60.0020.65 (2) 60.0018.60 (3) 60.0020.60 (4) 60.0020.70

60.0008.60 Pulsar R unload. 3/8F Bsp-31MPa+knob
 60.0008.65 Pulsar R unload. 3/8F Npt-31MPa+knob

60.0016.60 Pulsar R 31MPa-unld.3/8F Bsp+1/4 prt-knob



Pos.	P/N	Description	Q.ty	K1	K2	K3	K4	Pos.	P/N	Description	Q.ty	K1	K2	K3	K4
1	60.0146.31	Piston holder, brass	1				5	14	10.4006.01	Back-up ring, opn. 6,2x9x1,2 mm	1				10
2	10.3064.01	O-ring, 1,78x14 mm Ni 85	2				10	15	10.3051.01	O-ring, 1,78x6,07 mm	1				10
3	60.0021.51	Puls.R piston, Sst.	1				1	16	10.3213.00	O-ring, 3x6 mm	1				10
4	10.3175.00	O-ring, 2,62x10,77 mm	1				10	17	60.0052.99	Shutter pin, brass+o-ring 3x6 mm	1				10
5	10.4021.00	Back-up ring, opn. 11,5x15,9x1,2 mm	1				10	18	60.0053.51	Spring, 0,7x9x20 mm Sst.	1				10
6	60.0141.35	Housing -Pulsar 4- 3/8 Bsp F brass (1)	1				1	19	10.3066.01	O-ring, 1,78x15,6 mm Ni 85	1				10
6	60.0136.35	Housing -Pulsar 4- 3/8 Npt F brass (2)	1				1	20	60.1811.31	Shutter coupl., 3/8F Bsp brass	1				3
6	60.0172.35	Brass housing -Pulsar -3/8+1/4 Bsp F (3)	1				1	20	60.1817.31	3/8Npt F nipple (2)	1				3
7	60.0259.20	Seat, 8mm + O-ring, 1,78mm	1				10	21	60.0149.24	Knob Kit -Pulsar4, 6x1pcs.	1				1
9	14.7461.00	Ball, 13/32" Sst.	1				10	22	11.4589.10	Hex. locknut, M8	1				10
10	60.0410.51	Spring, 1,6x11,5x20 mm Sst.	1				5	24	60.0148.24	Knob + Plug -Pulsar4	1				5
11	60.0142.31	Suction coupl., 3/8F Bsp brass	1				10	25	14.3720.40	Washer, 9,2x24x0,5 mm	1				10
11	60.0137.31	Suction coupl., 3/8F Npt brass (2)	1				10	26	11.4573.31	Hex. nut, M8, brass	2				10
12	14.4042.00	Washer, 16,7x22x1,5 mm alu. (1,3)	2				25	27	60.0033.61	Spring, 5,7x26x53 mm blue	1				5
13	60.0028.31	Plug,brass 3/8 Bsp,hex.19 (3)	2				25	30	10.4409.00	Seal frame >Pulsar/zero **	1				1
13	60.0025.31	Grub screw, brass 3/8M Npt (2)	2				10								

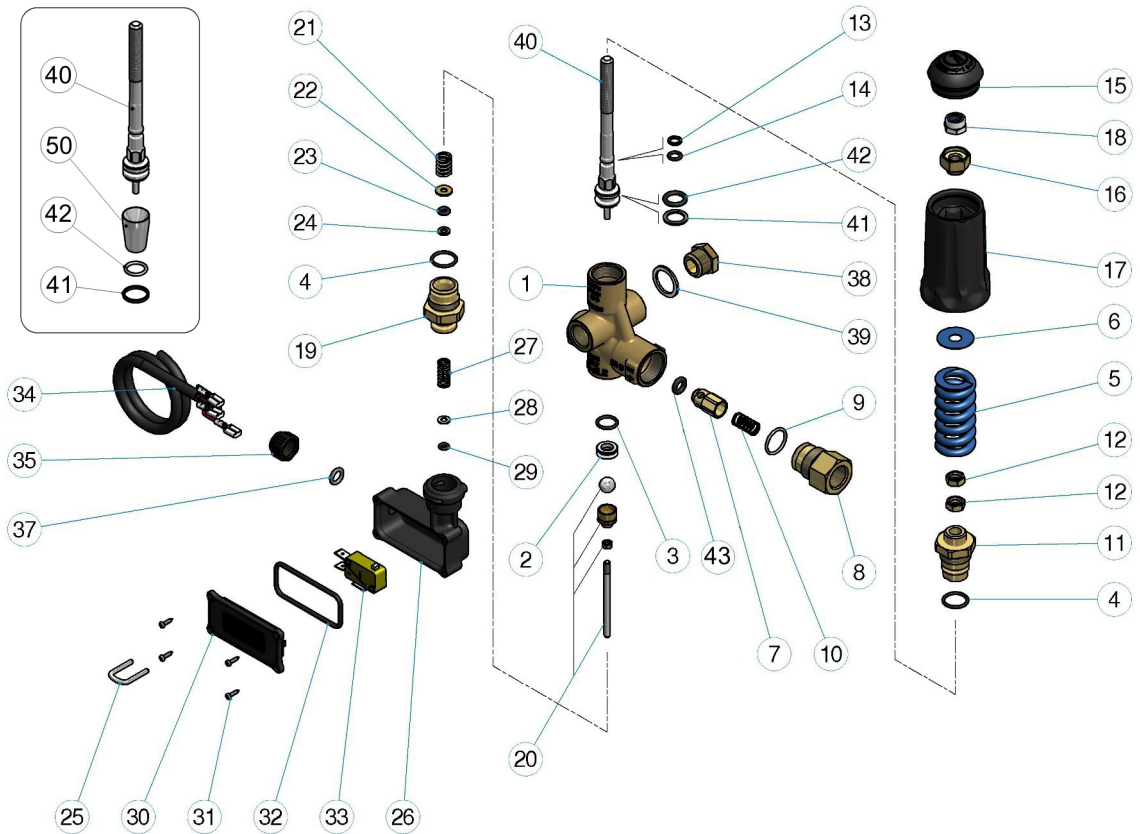
** On request

Kit	P/N	Description	Q.ty
K1	60.0009.24	Spares kit -Pulsar R, 9(10)x1pcs.	1

(1) 60.0008.60 (2) 60.0008.65 (3) 60.0016.60

60.0010.00 Pulsar R 18MPa-unld.3/8F Bsp+m/sw+knob
60.0010.60 Pulsar R unld.3/8F Bsp+m/sw-31MPa+knob

60.0010.65 Pulsar R unld.3/8F Npt+m/sw+knob



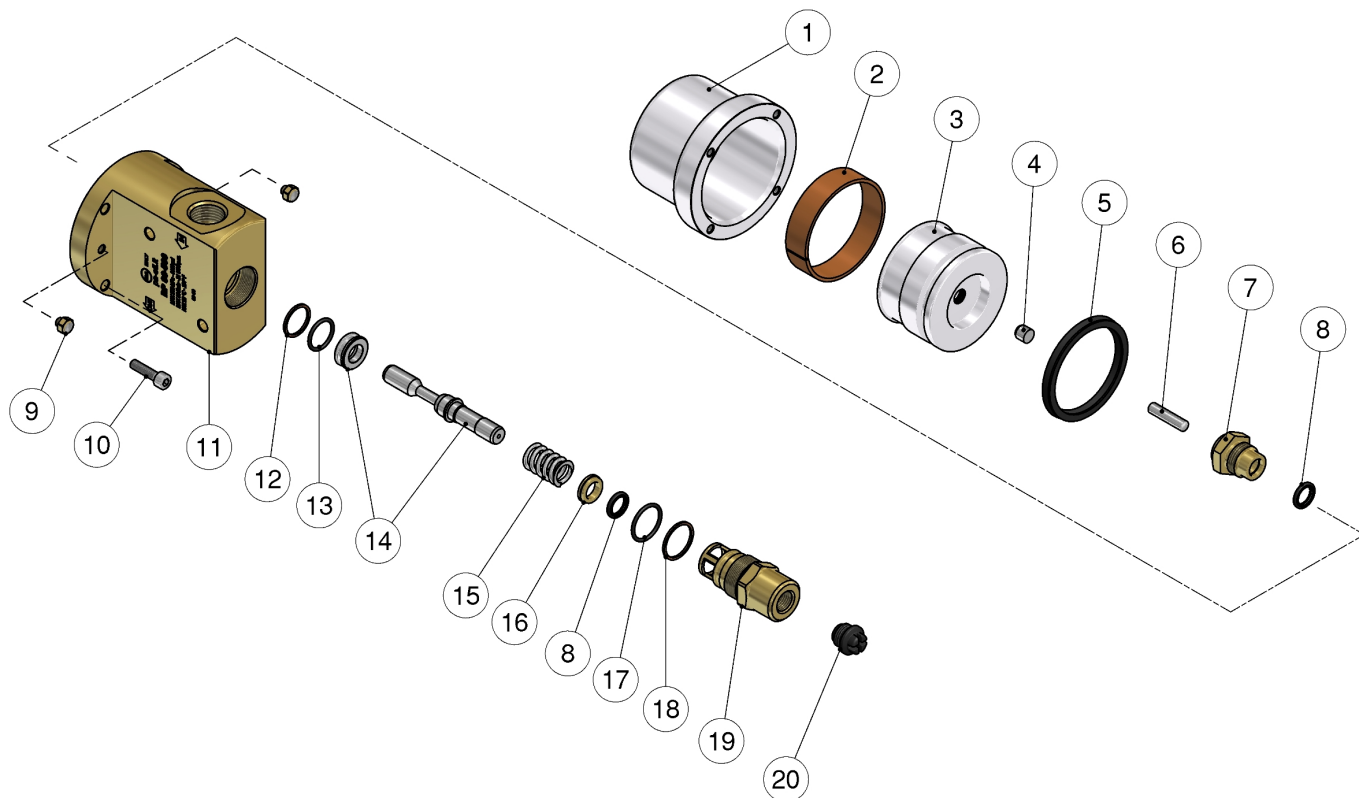
Pos.	P/N	Description	Q.ty	K1	K2	K3	K4	Pos.	P/N	Description	Q.ty	K1	K2	K3	K4
1	60.0141.35	Housing -Pulsar 4- 3/8 Bsp F brass	1				1	23	10.3109.90	O-ring, 2,4x3,66 mm Vi 70	1				10
1	60.0136.35	Housing -Pulsar 4- 3/8 Npt F brass (1)	1				1	24	10.4004.00	Back-up ring, 7,9x4,2x1,2 mm	1				10
2	60.0259.20	Seat, 8mm + O-ring, 1,78mm	1				10	25	29.0087.51	U-bolt, Sst.	1				10
3	10.3059.01	O-ring, 1,78x11,11 mm Ni 85 **	1				10	26	29.0041.84	Casing, PR16 PA black	1				5
4	10.3064.01	O-ring, 1,78x14 mm Ni 85	2				10	27	60.2303.51	Spring, 1,1x8x20 mm Sst.	1				10
5	60.0033.61	Spring, 5,7x26x53 mm blue	1				5	28	14.3519.53	Washer, 4x8x0,8 mm Sst.	1				10
5	60.0012.61	Spring, 5x25x50 mm white (2)	1				5	29	10.3038.00	O-ring, 1,78x3,68 mm	1				10
6	14.3720.40	Washer, 9,2x24x0,5 mm	1				10	30	29.0042.84	Lid, PR16 PA black	1				5
7	60.0052.99	Shutter pin, brass+o-ring 3x6 mm	1				10	31	16.3020.00	S/tapp. screw, 2,5x12mm chrom	4				10
8	60.1811.31	Shutter coupl., 3/8F Bsp brass	1				3	32	10.3210.42	O-ring, 2,62x42,52 mm	1				10
8	60.1817.31	3/8Npt F nipple (1)	1				3	33	12.5001.00	Microswitch, 16A 250V	1				10
9	10.3066.01	O-ring, 1,78x15,6 mm Ni 85	1				10	34	12.5000.00	Cable, 3x1 L.1200 mm	1				10
10	60.0053.51	Spring, 0,7x9x20 mm Sst.	1				10	35	29.0082.84	Locknut for cable gland, PA black	1				10
11	60.0146.31	Piston holder, brass	1				5	37	10.3109.92	O-ring, 2,4x7,3 mm	1				10
12	11.4573.31	Hex. nut, M8, brass	2				10	38	60.0028.31	Plug,brass 3/8 Bsp,hex.19	1				25
13	10.4006.01	Back-up ring, opn. 6,2x9x1,2 mm	1				10	38	60.0025.31	Grub screw, brass 3/8M Npt (1)	1				10
14	10.3051.01	O-ring, 1,78x6,07 mm	1				10	39	14.4042.00	Washer, 16,7x22x1,5 mm alu.	1				25
15	60.0148.24	Knob + Plug -Pulsar4	1				5	40	60.0021.51	Puls.R piston, Sst.	1				1
18	11.4589.10	Hex. locknut, M8	1				10	41	10.4021.00	Back-up ring, opn. 11,5x15,9x1,2 mm	1				10
19	60.0159.31	Microswtch coupl. -Pulsar 4	1				3	42	10.3175.00	O-ring, 2,62x10,77 mm	1				10
20	60.0171.21	Piston + shutter, -Pulsar4+PR16	1				3	43	10.3213.00	O-ring, 3x6 mm **	1				10
21	60.0015.51	Spring, 1,4x10x16 mm Sst.	1				10	50	10.4409.00	Seal frame >Pulsar/zero **	1				1
22	60.0164.33	Washer, 4,1x10,8x1mm brass	1				10								

** On request

Kit	P/N	Description	Q.ty
K1	60.0032.24	Spares kit -PulsarR+PR16, 14x1pcs.	1

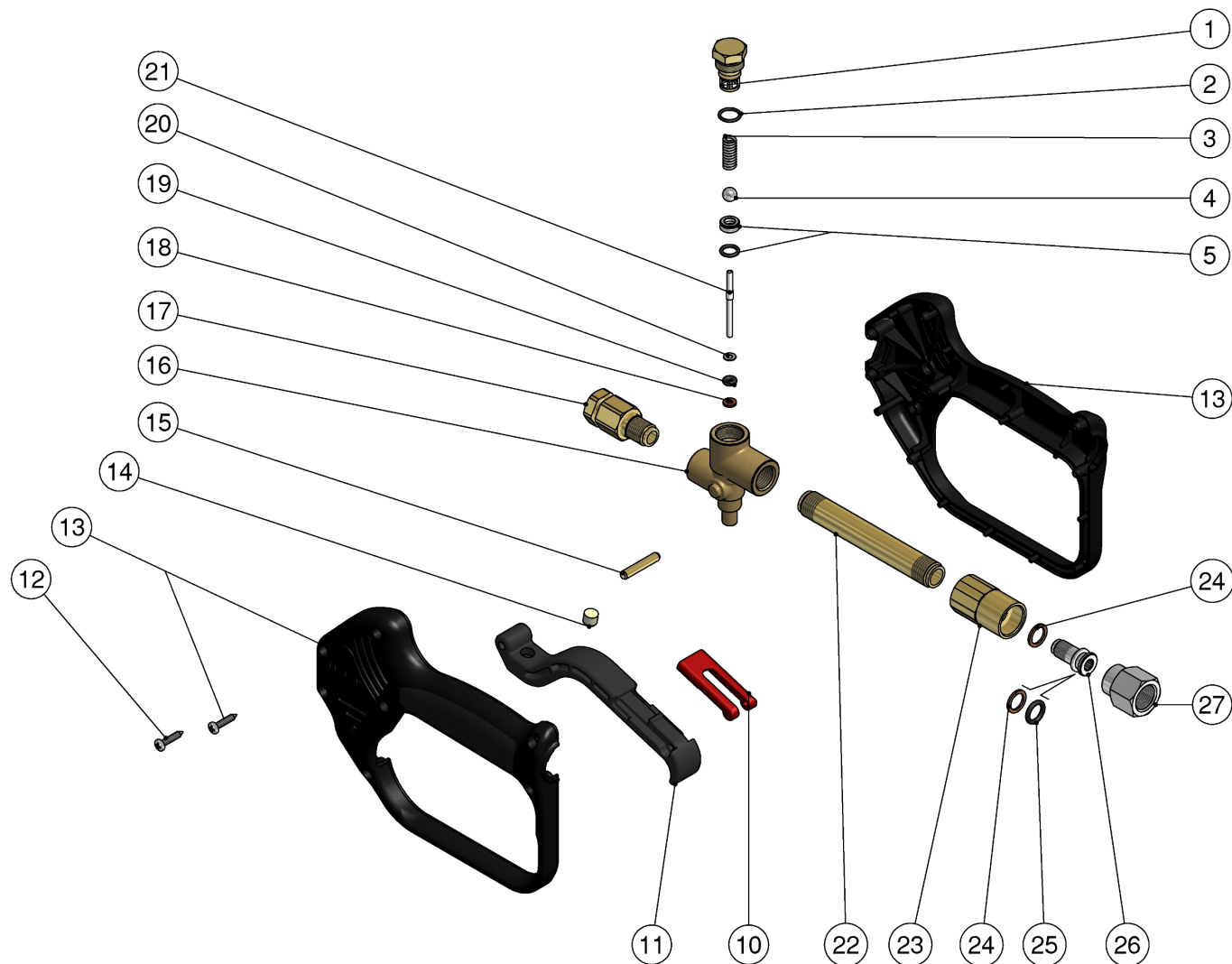
(1) 60.0010.65 (2) 60.0010.00

30.3250.00 RP80/500 1/2FF Bsp air compr.on-off gun



Pos.	P/N	Description	Q.ty	K1	K2	K3	K4		Pos.	P/N	Description	Q.ty	K1	K2	K3	K4	
1	30.3206.41	Jacket, Al -RP120	1					3	11	30.3251.31	Brass hous.-RP80/500-3/4"Bsp FF	1					1
2	30.3204.85	Bushing, opn. 181x14,8mm PTFE	1					5	12	10.4042.00	Back-up ring, 16,3x19x1,2 mm	1	•				10
3	30.3207.41	Piston, RP120	1					2	13	10.3066.01	O-ring, 1,78x15,6 mm Ni 85	1	•				10
4	30.0675.51	Stop pin, 8x7,1mm Sst.	1					10	14	30.5411.24	Piston + seat -RL84	1	•				1
5	10.2060.50	Piston seal, 60x50x5 mm	1					3	15	30.4042.51	Spring, 2,4x15,3x30 mm Sst.	1	•				10
6	30.4041.51	Parallel sst.pin, 6x25,8 mm	1					5	16	30.4040.31	Spacer ring, 10,1x15,8x3,8 mm brass	1					3
7	30.4038.31	Front plug, M18x1,5 brass	1					10	17	10.3070.02	O-ring, 1,78x18,77 mm Ni 85	1	•				10
8	10.2027.00	Stem seal, 10x15x2,2 mm +O-ring	2	•				4	18	10.4041.00	Back-up ring, 19,3x22x1,2 mm PTFE	1	•				10
9	13.0805.00	Screw M5 brass	2					3	19	30.5408.31	Spring holder	1					5
10	16.1873.00	Screw, DIN912 M5x20 mm Sst.	4					10	20	30.5815.84	Plug, 1/4M Bsp DIN259 Plast. black	1					10
Kit	P/N	Description															
K1	30.5414.24	Spares kit -RL84, 8x1pcs.						1									

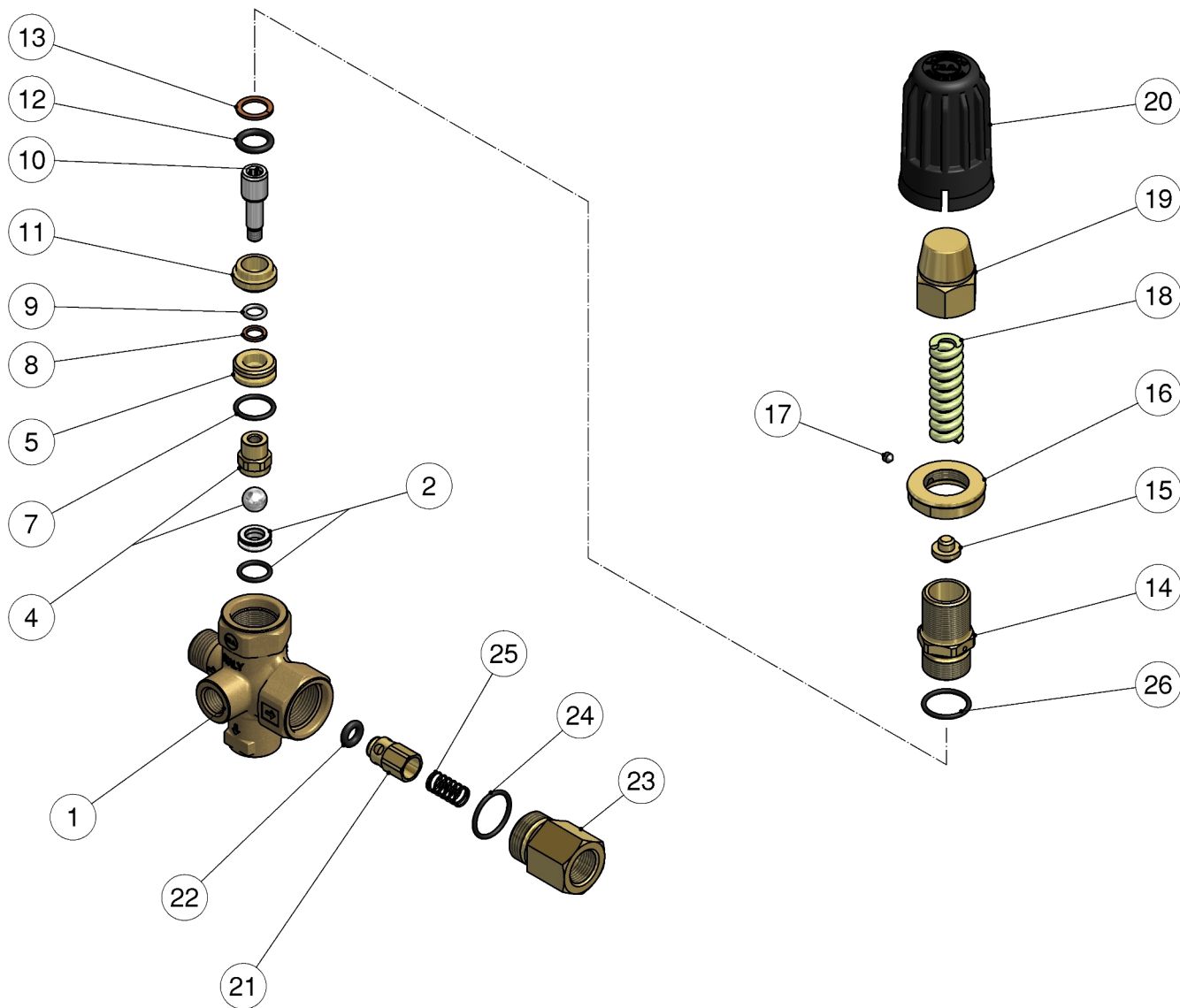
30.0640.00 Linear 3 spr.gun +sw6-3/8F-1/4F Bsp



Pos.	P/N	Description	Q.ty	K1	K2	K3	K4		Pos.	P/N	Description	Q.ty	K1	K2	K3	K4	
1	30.2595.31	Spring plug, M16x1 brass	1					10	16	30.0625.35	Housing -Linear 3, brass	1					2
2	10.3020.02	O-ring, 1,5x10 mm Ni 85	1	•				10	17	30.0606.31	Tube, 1/4F Bsp 44 mm brass	1					10
3	30.2596.51	Spring, 1,5x6,1x23 mm Sst.	1					10	18	10.4018.00	Back-up ring, 3,2x7,5x1,2 mm	1	•				10
4	14.7448.00	Ball, 5/16" Sst.	1	•				10	19	10.3165.00	O-ring, 2,62x2,84 mm Vi 70	1	•				10
5	30.1708.20	Seat, 6mm Sst.+O-ring 1,78mm NBR85	1	•				10	20	14.3511.00	Washer, 3,2x7x0,5 mm sst.	1					10
10	30.1510.84	Safety latch, PA red	1					10	21	30.2516.51	Piston, 3 mm Sst.	1	•				10
11	30.2506.84	Trigger -RL31, PA black	1					10	22	30.2547.36	Tube, M15 MM 103mm brass	1					5
12	16.3077.00	S/tapping screw, DIN7981 3,5x18 mm	7					10	23	30.2546.31	Adapt., M15F-M10x1F brass	1					5
14	30.0631.24	Casing-kit -LINEAR3, +screws	1					1	24	10.4010.01	Back-up ring,10,2x13,9x1,2mm	2					50
14	30.0675.84	Stop pin, 8x7,1mm PA	1					10	25	10.3171.10	O-ring, 2,62x9,19 mm Vi 70	1					10
15	30.2517.31	Parallel pin, 5x27,5 mm brass	1					10	26	30.2017.51	Pin, SW M10x1 M Sst.	1					5
									27	30.2019.31	Coupl., 3/8F Bsp brass	1					5

Kit	P/N	Description	
K1	30.2559.24	Spares kit -RL30, 6(7)x1pcs.	1

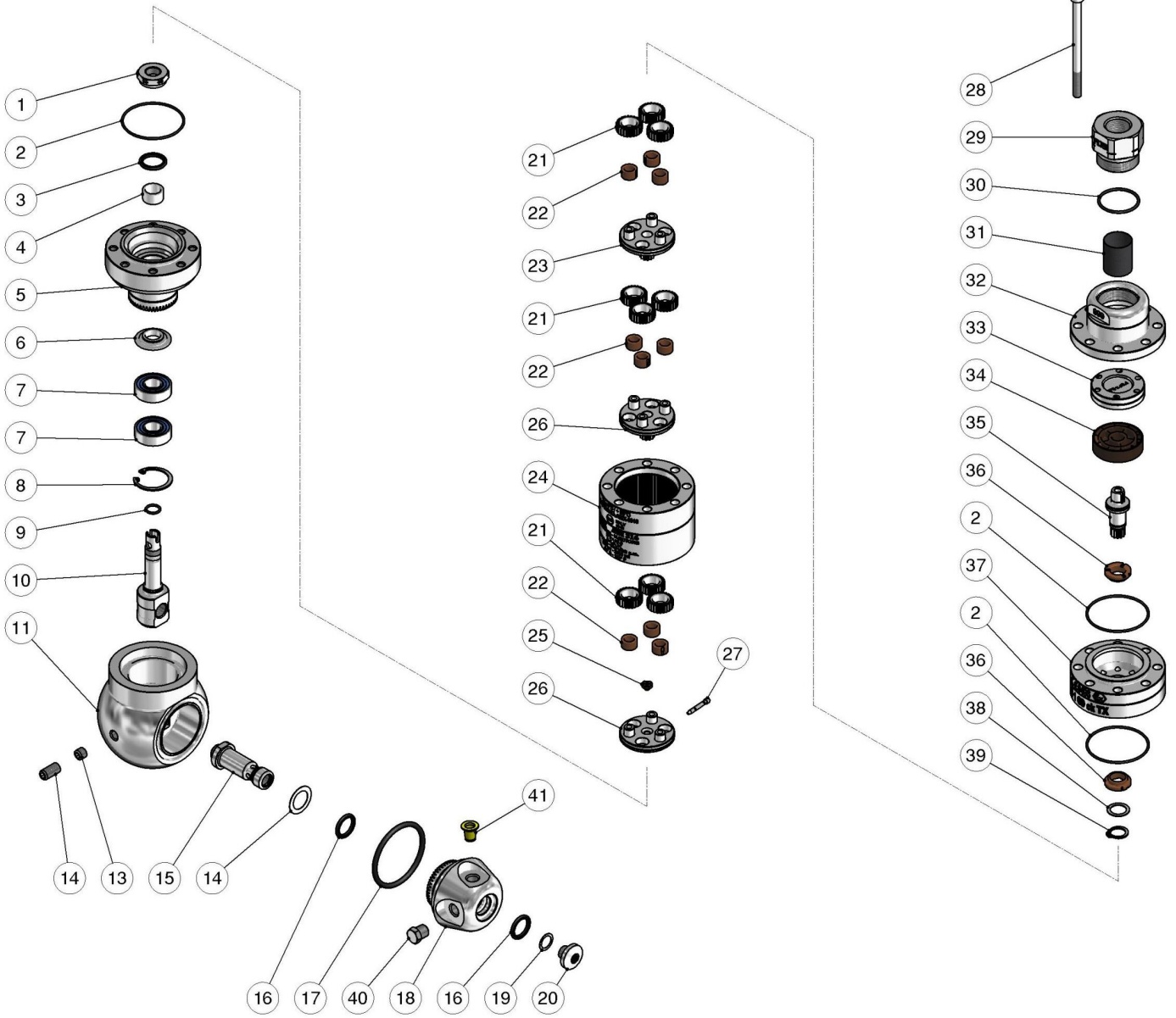
60.1300.10 VB5 unload. 3/8F Bsp, port:3/8M



Pos.	P/N	Description	Q.ty	K1	K2	K3	K4		Pos.	P/N	Description	Q.ty	K1	K2	K3	K4	
1	60.1305.35	Hous.-VB5, 3/8M Bsp c/sunk+1/4F Bsp brs	1					1	16	60.1312.31	Ring nut, M20x1 brass	1					10
2	60.1306.20	Seat, 8mm+O-ring, 1,78mm NBR85	1	•				10	17	16.2100.00	Set screw, DIN914 M4x4 mm	1					10
4	60.1311.21	Shutter pin, M6 brass+ball, 13/32" Sst.	1	•				10	18	60.1315.61	Spring, 3,4x13,8x48 mm z.pl.	1					10
5	60.1318.31	Spacer ring, x o-ring d.18 mm brass	1					10	19	60.1304.31	Valve regulating insert, brass	1					5
7	10.3064.01	O-ring, 1,78x14 mm Ni 85	1	•				10	20	60.1202.84	Valve regulating knob, PA black	1					5
8	10.4007.00	Back-up ring, opn. 7x10x1,2 mm	1	•				10	21	60.0052.99	Shutter pin, brass+o-ring 3x6 mm	1					10
9	10.3052.02	O-ring, 1,78x6,75 mm Ni 90	1	•				10	22	10.3213.00	O-ring, 3x6 mm	1	•				10
10	60.1307.51	Piston, M6 Sst.	1					10	23	60.0058.31	Delivery coupl., 3/8F Bsp brass	1					5
11	60.1317.31	Spacer ring, 18,5 mm brass	1					10	24	10.3070.02	O-ring, 1,78x18,77 mm Ni 85	1	•				10
12	10.3175.08	O-ring, 2,62x10,77 mm Ni 85	1	•				10	25	60.0053.51	Spring, 0,7x9x20 mm Sst.	1					10
13	10.4017.00	Back-up ring, opn. 15,5x10,9x1,2 mm	1	•				25	26	10.3068.01	O-ring, 1,78x17,17 mm Ni 85	1	•				10
14	60.1314.31	Piston holder, brass-VB56	1					10	27	14.3911.00	Washer, 13,5x19x1,5 mm Cu **	1					10
15	60.1313.31	Spring guide pin	1					10	28	28.0013.31	Plug, brass 1/4 Bsp **	1					25

** On request

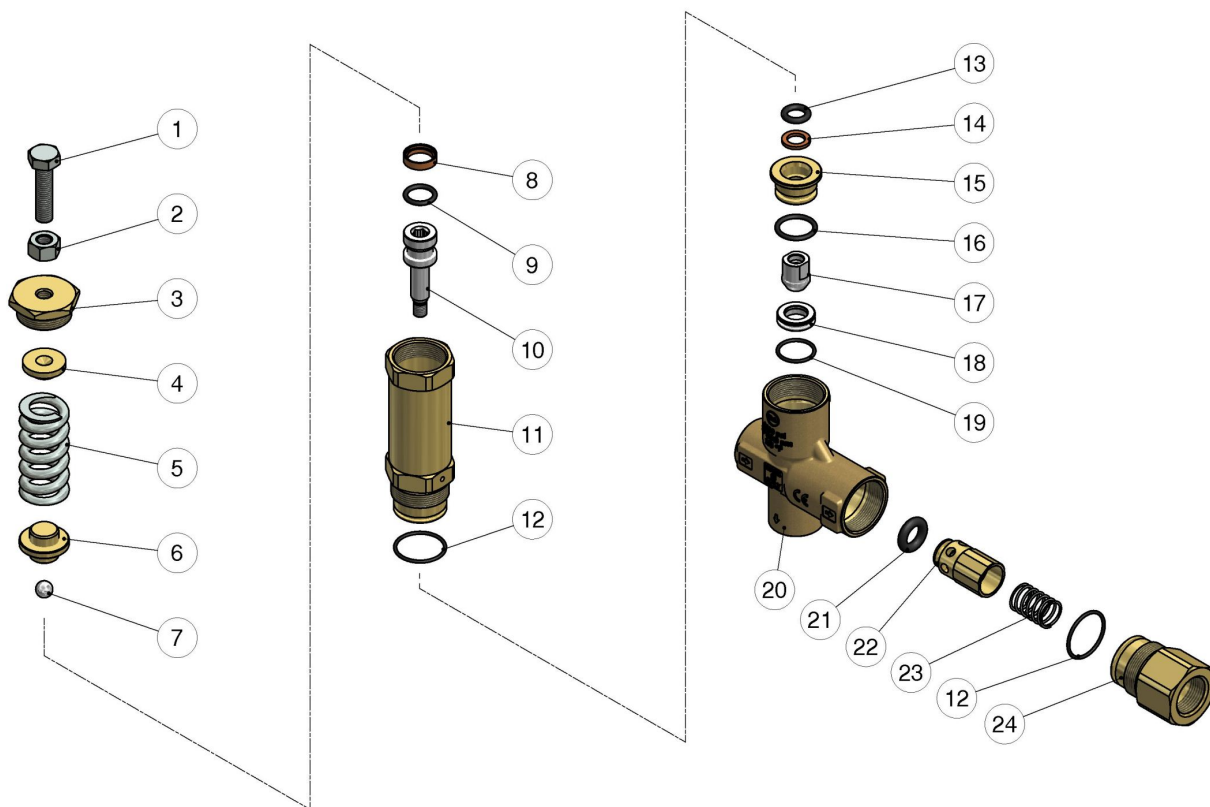
Kit	P/N	Description	
K1	60.1321.24	Spares kit -VB5II°-VB56, 10x1pcs.	1



Pos.	P/N	Description	Q.ty	K1	K2	K3	K4	
1	80.0807.60	Ring nut M12x1 mm Ai316 sst	1					1
2	10.3034.19	O-Ring, 1,5x45 mm Vi 70-Nsf	3					5
3	10.2031.19	Stem seal, 16x21x2,2 mm +O-ring	2					5
4	80.0816.60	Seal holding pin, Sst.	1					5
5	80.0871.60	Fixed pinion, z.45 Sst. Ai316	1					1
6	80.0852.60	Shim ring, Ai 316 Sst.	1					1
7	11.4412.98	Ball-bearing, 12x28x8 mm - 2RS1 Sst.	2					3
8	10.1011.60	Snap ring, I D 28 Sst.	1					10
9	10.3019.19	O-Ring, 1,5x9,0 mm Vi 70-Nsf	1					5
10	80.0872.60	Pin, Ai 316 Sst.	1					5
11	80.0873.60	Spherical cap -A42R Ai 316.	1					1
12	16.2225.60	Set screw, DIN913 M8x16 mm Sst.Ai316	1					10
13	16.2221.60	Set screw, DIN914 M8x8 mm Ai316 Sst.	1					10
14	80.0860.60	Shim ring, 15,4x23x0,3mm Ai316 Sst.	1					1
15	80.0874.60	Sst Ai 316 shaft	1					1
16	10.2031.16	Stem seal, 15 mm +O-ring	2					5
17	10.3260.19	O-Ring, 3,53x47.63 mm Vi 70-Nsf	1					10
18	80.0875.60	Spher.nzl hold,-gear z.47,Sst Ai316	1					5
19	80.0859.60	Shim ring, Sst. Ai316	1					1
20	80.0858.60	Pin, M10 - Ai 316 Sst.	1					1
21	80.0821.60	Planetary gear, z.24 Ai316	9					3
22	80.0822.84	Bushing, . 8x12mm	9					3

(1) 25.5700.40

Pos.	P/N	Description	Q.ty	K1	K2	K3	K4	
23	80.0833.21	Plan. gear holder+3 pins+gear, Sst.	2					1
24	80.0809.60	Ring gear z.60, 3-stage cleaner, sst.	1					1
25	80.0213.84	Shim pin, plast.	1					3
26	80.0832.21	Plan. gear holder+3 pins, Sst.+1 pin	1					1
27	80.0808.60	Parallel pin, 3x24,5mm Ai316	1					3
28	16.1909.00	Screw, DIN912 M6x90 mm Sst.	8					10
29	80.0813.60	Inlet coupl., 1/2Bsp F Sst.	1					3
30	10.3077.19	O-Ring, 1,78x28,3 mm Vi 70-Nsf	1					5
31	80.0820.63	Net, 21,5x26,5 mm Ai316 Sst.	1					3
32	80.0803.60	Inlet housing, Sst.	1					1
33	80.0836.60	Ring injector, 3x2,8 mm Sst. Ai316	1					1
33	80.0837.60	Ring injector, 4x3,4 mm Sst. Ai316	1					1
33	80.0801.60	Ring injector, 6x3,4 mm Sst. (1)	1					1
34	80.0512.84	Turbine, plast.	1					3
35	80.0834.21	Geared shaft, Sst.	1					1
36	80.0548.84	Bushing ring	2					3
37	80.0811.60	Sst. inlet flange	1					1
38	80.0814.53	Shim ring, Sst.	1					5
39	10.0999.60	Snap ring, E 12 Sst.	1					10
40	15.3711.18	Grub screw, 303 Sst. 1/8M Npt	2					4
41	15.3710.18	Plug, 1/8" Bsp plast.	2					4

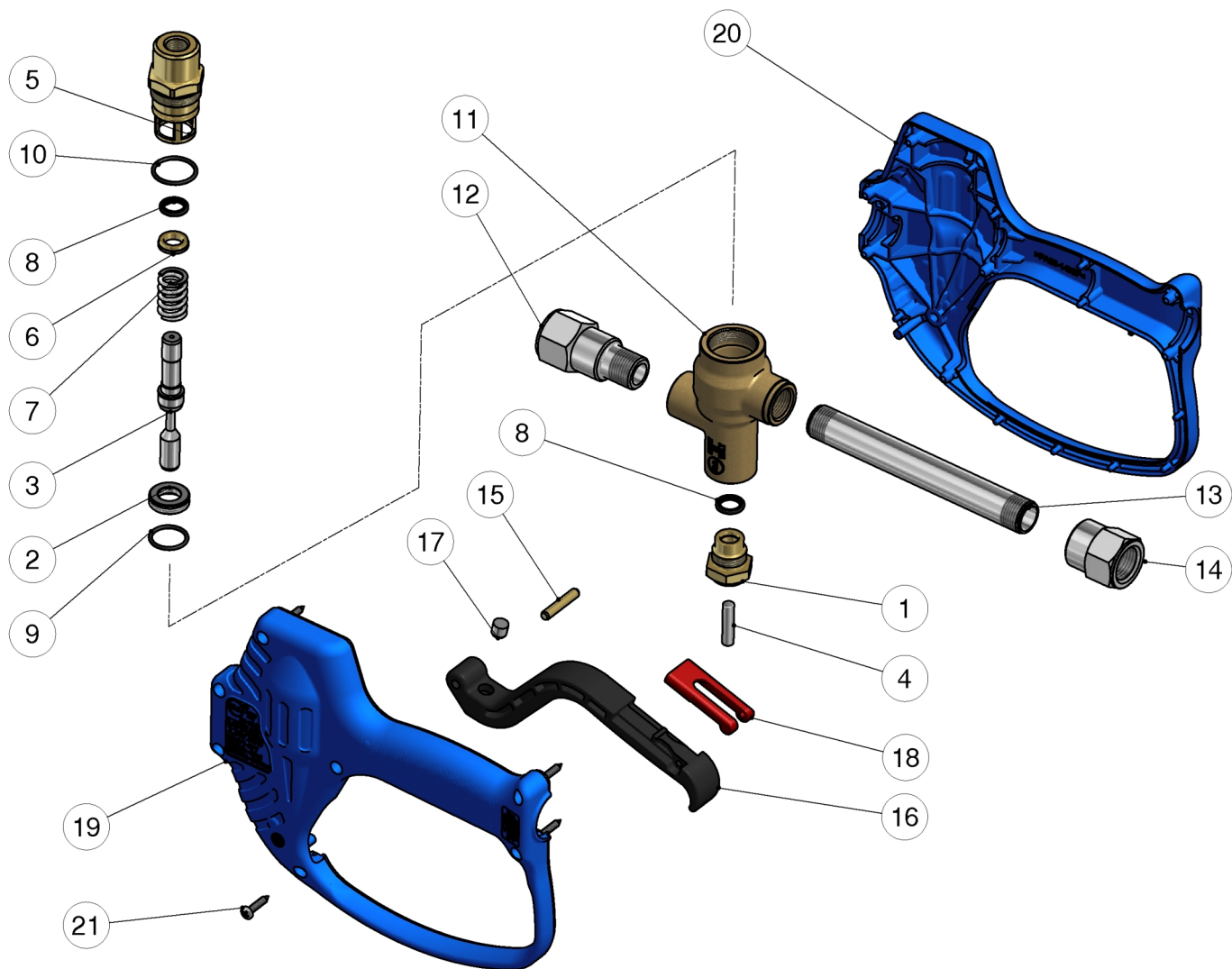


Pos.	P/N	Description	Q.ty	K1	K2	K3	K4	
1	60.5011.61	Valve regulating screw, M10x44 z.pl.	1					1
2	11.4629.00	Hex. nut, M10	1					10
3	60.5008.31	Upper plug, M10 brass	1					1
4	60.5007.31	Spring guide spacer, brass	1					3
5	60.5006.61	Spring, 6x30x62 mm	1					5
6	60.4304.31	Spring guide spacer, brass	1					2
7	14.7461.00	Ball, 13/32" Sst.	1					10
8	10.4094.00	Back-up ring, 15,5x20x5 mm	1					5
9	10.3180.00	O-ring, 2,62x15,08 mm	1					10
10	60.4803.51	Piston, M8 Sst.	1					2
11	60.4801.31	Piston holder, brass	1					2
12	10.3077.08	O-ring, 1,78x28,3 mm Ni 85	2					10
13	10.3234.00	O-ring, 3,53x10,69 mm	1					10

(1) 60.4800.50

Pos.	P/N	Description	Q.ty	K1	K2	K3	K4	
14	10.4044.00	Back-up ring, 11 x 17,2 x 2 mm	1					10
15	60.4807.31	Reduction bushing, brass	1					2
16	10.3195.01	O-ring, 2,62x20,29 mm Ni 90	1					10
17	60.4806.51	Shutter pin, M8 Sst.	1					3
18	60.4804.51	Seat, 14x23x6 mm Sst.	1					2
19	10.3072.01	O-ring, 1,78x20,35 mm Ni 85	1					10
20	60.4805.35	Housing-VB140/160, 3/4 Bsp F brass	1					1
20	60.4808.35	Housing-VB140/160, 3/4 Npt F brass (1)	1					1
21	10.3314.00	O-ring, 5,33x12,06 mm	1					10
22	60.5012.99	Shutter pin, brass+or 5,33x12,06 mm N	1					2
23	60.5013.51	Spring, 1,3x18x29 mm Sst.	1					10
24	60.4802.31	Coupling, 3/4" Bsp F brass	1					3
24	60.4809.31	Coupling, 3/4"Npt F brass (1)	1					3

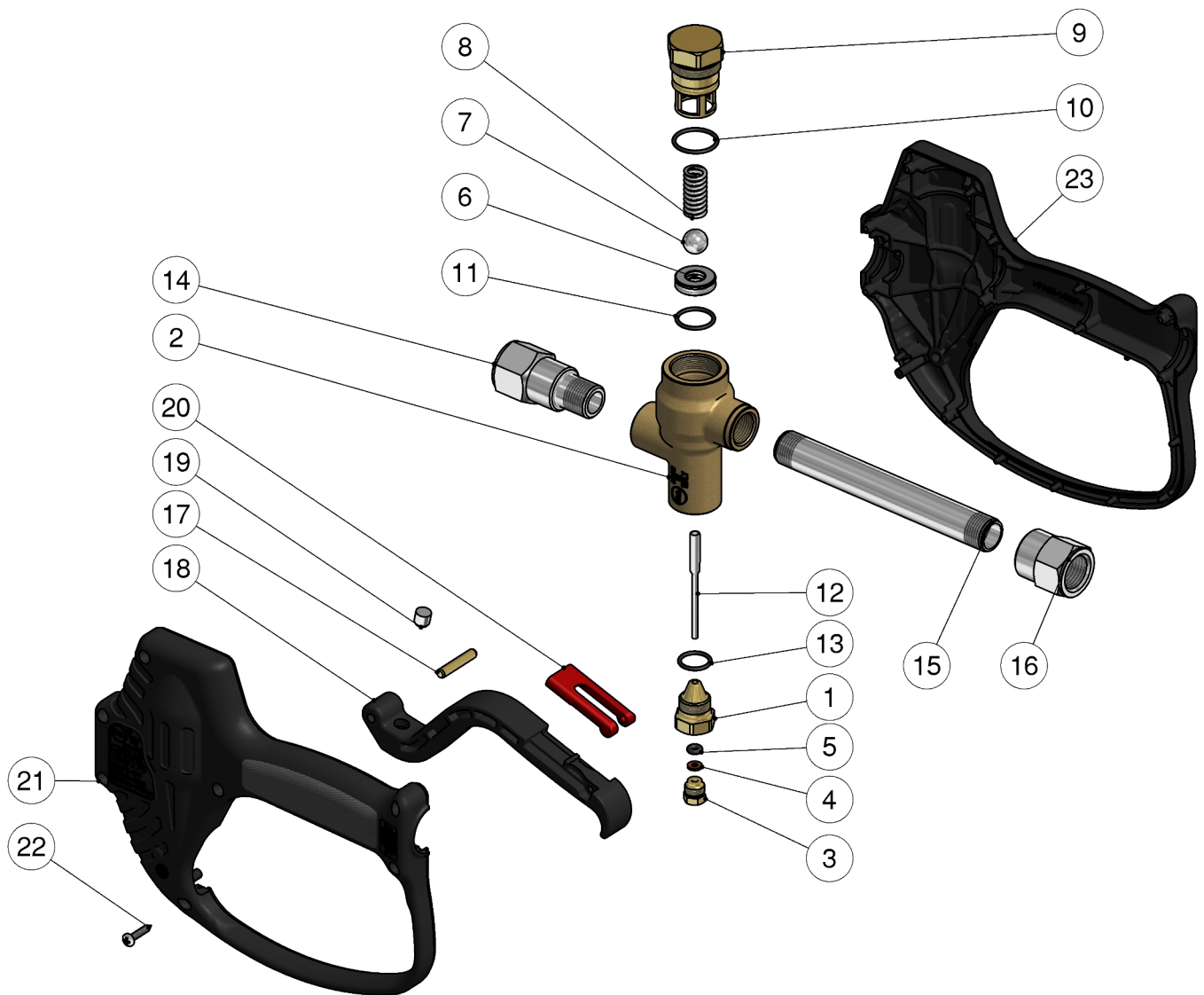
30.0680.50 Linear 120/280 spr.gun 1/2 FF Npt



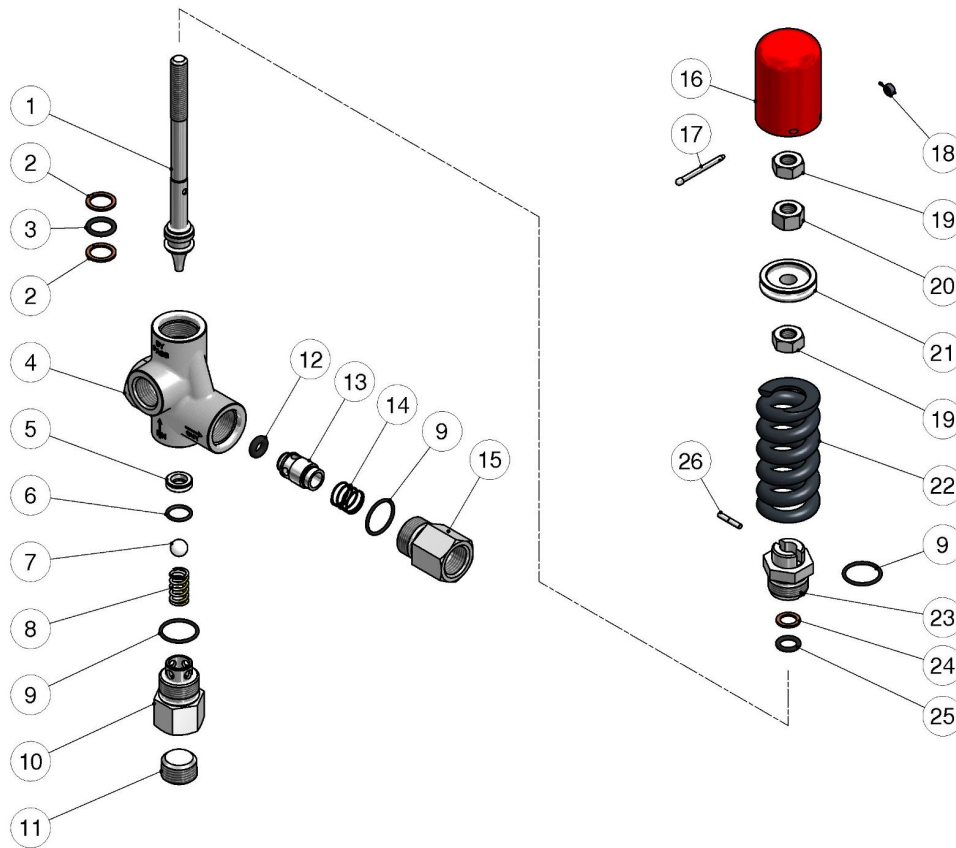
Pos.	P/N	Description	Q.ty	K1	K2	K3	K4	
1	30.4038.31	Front plug, M18x1,5 brass	1					10
2	30.4045.24	Piston+Seat Kit, -RL204	1	•				1
4	30.4041.51	Parallel sst.pin, 6x25,8 mm	1					5
5	30.4037.31	Spring holder, 1/4F Bsp-M26x1M brs.	1					5
6	30.4040.31	Spacer ring, 10,1x15,8x3,8 mm brass	1					3
7	30.4042.51	Spring, 2,4x15,3x30 mm Sst.	1	•				10
8	10.2027.00	Stem seal, 10x15x2,2 mm +O-ring	2	•				4
9	10.3068.01	O-ring, 1,78x17,17 mm Ni 85	1	•				10
10	10.3072.01	O-ring, 1,78x20,35 mm Ni 85	1	•				10
11	30.0681.35	Housing -Linear 120/280, brass	1					2
12	30.0652.51	Coupling, 1/2" Npt F sst.	1					2
13	30.5104.56	Tube, M18x1,5 138,5 mm Sst.	1					5
14	30.0653.51	Coupling, 1/2" Npt F Sst.	1					2
15	30.2517.31	Parallel pin, 5x27,5 mm brass	1					10
16	30.5303.84	Trigger, black	1					5
17	30.2255.51	Stop pin, 8x7,5mm Sst.	1					10
18	30.1510.84	Safety latch, PA red	1					10
19	30.0686.24	Casing kit -Linear 120/280 + ss.screws	1					1
21	16.3075.51	S/tapping screw, DIN7981 3,5x18 mm Sst.	7					10

Kit	P/N	Description	
K1	30.4046.24	Spares kit -RL204, 6x1pcs.	1

30.0650.50 Linear 100/170 spr.gun 1/2 FF Npt



Pos.	P/N	Description	Q.ty	K1	K2	K3	K4	📦	Pos.	P/N	Description	Q.ty	K1	K2	K3	K4	📦
1	30.3203.31	Plug, M16x1 brass	1					5	12	30.0654.51	Sst.plunger D.5 x L.63mm	1					2
2	30.0651.35	Housing -Linear 100/170, brass	1					2	13	10.3064.01	O-ring, 1,78x14 mm Ni 85	1					10
3	30.4115.31	Front Plug, M10x1 brass	1					10	14	30.0652.51	Coupling, 1/2" Npt F sst.	1					2
4	10.4018.00	Back-up ring, 3,2x7,5x1,2 mm	1					10	15	30.5104.56	Tube, M18x1,5 138,5 mm Sst.	1					5
5	10.3165.00	O-ring, 2,62x2,84 mm Vi 70	1					10	16	30.0653.51	Coupling, 1/2" Npt F Sst.	1					2
6	30.5308.51	Seat, Sst.	1					3	17	30.2517.31	Parallel pin, 5x27,5 mm brass	1					10
7	14.7465.00	Ball, 1/2" Sst.	1					5	18	30.5303.84	Trigger, black	1					5
8	30.5304.51	Spring, 2x29x9,9 mm Sst.	1					5	19	30.2255.51	Stop pin, 8x7,5mm Sst.	1					10
9	30.3205.31	Spring plug, M26x1 brass	1					2	20	30.1510.84	Safety latch, PA red	1					10
10	10.3072.01	O-ring, 1,78x20,35 mm Ni 85	1					10	21	30.0657.24	Casing kit -Linear 100/170 + ss.screws	1					1
11	10.3068.01	O-ring, 1,78x17,17 mm Ni 85	1					10	22	16.3075.51	S/tapping screw, DIN7981 3,5x18 mm Sst.	7					10

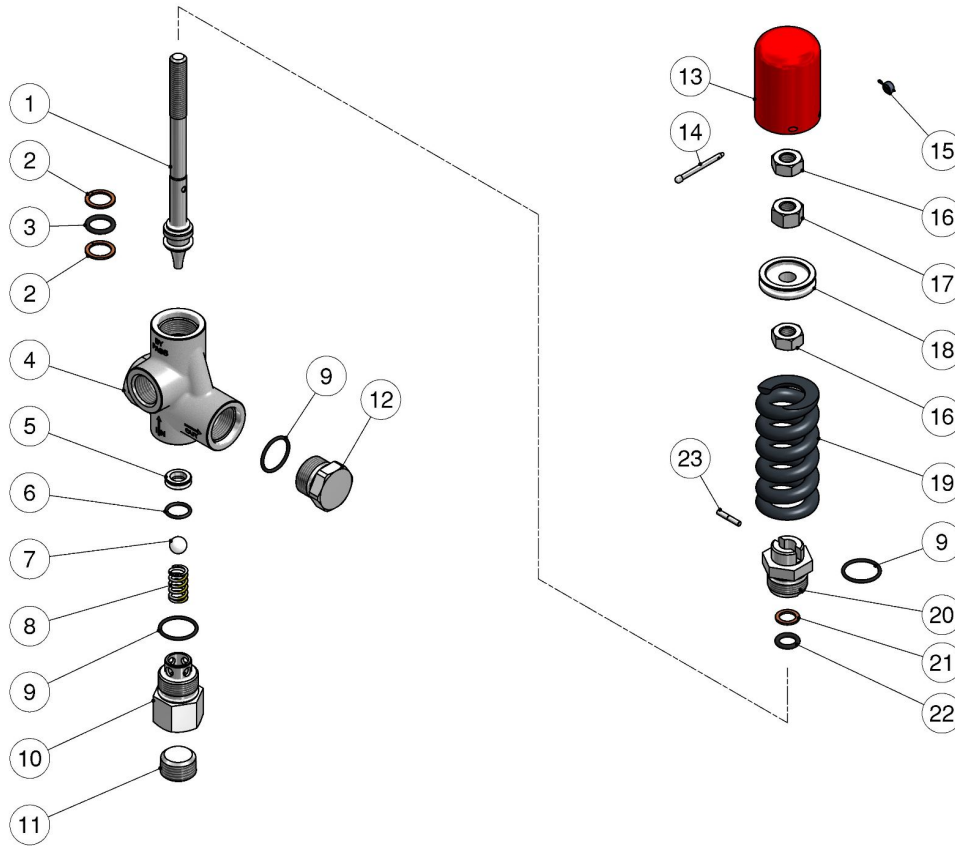


Pos.	P/N	Description	Q.ty	K1	K2	K3	K4	
1	60.4459.59	Piston, M10 duplex Sst.	1					3
1	60.4451.59	Piston, M10 duplex Sst. - 280 bar (1)	1					3
2	10.4014.00	Back-up ring, opn. 18x13,5x1,2 mm (1)	2	•				10
3	10.3178.10	O-ring, 2,62x13,1 mm Vi 70	1	•				10
4	60.4455.59	Housing -VB80, 1/2F Bsp duplex Sst.	1					1
5	60.4452.59	Seat, 8,5x15,9x4,5 mm duplex Sst.	1					3
6	10.3060.10	O-ring, 1,78x12,42 mm Vi 70	1	•				10
7	14.7462.00	Ball, 13/32" ceramics	1					10
8	60.4453.59	Spring, 1,6x11,5x20 mm duplex Sst.	1					5
9	10.3072.10	O-ring, 1,78x20,35 mm Vi 70	3	•				10
10	60.4456.59	Suction coupl., 1/2F Bsp duplex Sst.	1					5
11	60.4463.59	Sst duplex plug, 1/2 Bst	1					3
12	10.3292.10	O-ring, 4x8 mm Vi 70	1	•				10
13	60.4457.59	Shutter pin, Sst. duplex	1					3

Pos.	P/N	Description	Q.ty	K1	K2	K3	K4	
14	60.4454.59	Spring, 0,8x15,4x13 mm duplex Sst.	1					5
15	60.4460.59	Shutter coupl., 1/2F Bsp duplex Sst.	1					5
16	60.0598.41	Knob x block. press al-red	1					3
17	60.4464.60	Al 316 sst. 4 mm pierced pin	1					3
18	60.1419.24	Seal+wire kit, 80mm 5pcs	1					1
19	11.4628.00	Hex. nut, M10x 8 mm duplex	2					10
20	11.4631.00	Hex. nut, M10x10mm duplex	1					10
21	60.4458.59	Spring holding washer, duplex	1					3
22	60.4465.61	Spring, 8,5x38x80 mm gray	1					3
22	60.4462.61	Spring, 7,5x35x70 mm red (1)	1					3
23	60.4461.59	Stem holder, Sst. duplex	1					5
24	10.4015.00	Back-up ring, 10x14,5x1,2 mm	1	•				10
25	10.3174.10	O-ring, 2,62x9,93 mm Vi 70	1	•				10
26	15.1033.00	Roll pin, 3x18 mm Sst. Ai316	1					10

K2 60.0446.24 Seals kit -VB80+O-ring, FKM 7x1pcs. 1

(1) 60.4450.28



Pos.	P/N	Description	Q.ty	K1	K2	K3	K4
1	60.4459.59	Piston, M10 duplex Sst.	1				3
1	60.4451.59	Piston, M10 duplex Sst. - 280 bar (1)	1				3
2	10.4014.00	Back-up ring, opn. 18x13,5x1,2 mm	2				10
3	10.3178.10	O-ring, 2,62x13,1 mm Vi 70	1				10
4	60.4455.59	Housing -VB80, 1/2F Bsp duplex Sst.	1				1
5	60.4452.59	Seat, 8,5x15,9x4,5 mm duplex Sst.	1				3
6	10.3060.10	O-ring, 1,78x12,42 mm Vi 70	1				10
7	14.7462.00	Ball, 13/32" ceramics	1				10
8	60.4453.59	Spring, 1,6x11,5x20 mm duplex Sst.	1				5
9	10.3072.10	O-ring, 1,78x20,35 mm Vi 70	3				10
10	60.4456.59	Suction coupl., 1/2F Bsp duplex Sst.	1				5
11	60.4463.59	Sst duplex plug, 1/2 Bst	1				3
12	60.4466.59	Plug, sst. M24x1,5, duplex	1				3

(1) 60.4590.28

Pos.	P/N	Description	Q.ty	K1	K2	K3	K4
13	60.0598.41	Knob x block. press al-red	1				3
14	60.4464.60	Al 316 sst. 4 mm pierced pin	1				3
15	60.1419.24	Seal+wire kit, 80mm 5pcs	1				1
16	11.4628.00	Hex. nut, M10x 8 mm duplex	2				10
17	11.4631.00	Hex. nut, M10x10mm duplex	1				10
18	60.4458.59	Spring holding washer, duplex	1				3
19	60.4465.61	Spring, 8,5x38x80 mm gray	1				3
19	60.4462.61	Spring, 7,5x35x70 mm red (1)	1				3
20	60.4461.59	Stem holder, Sst. duplex	1				5
21	10.4015.00	Back-up ring, 10x14,5x1,2 mm	1				10
22	10.3174.10	O-ring, 2,62x9,93 mm Vi 70	1				10
23	15.1033.00	Roll pin, 3x18 mm Sst..Ai316	1				10